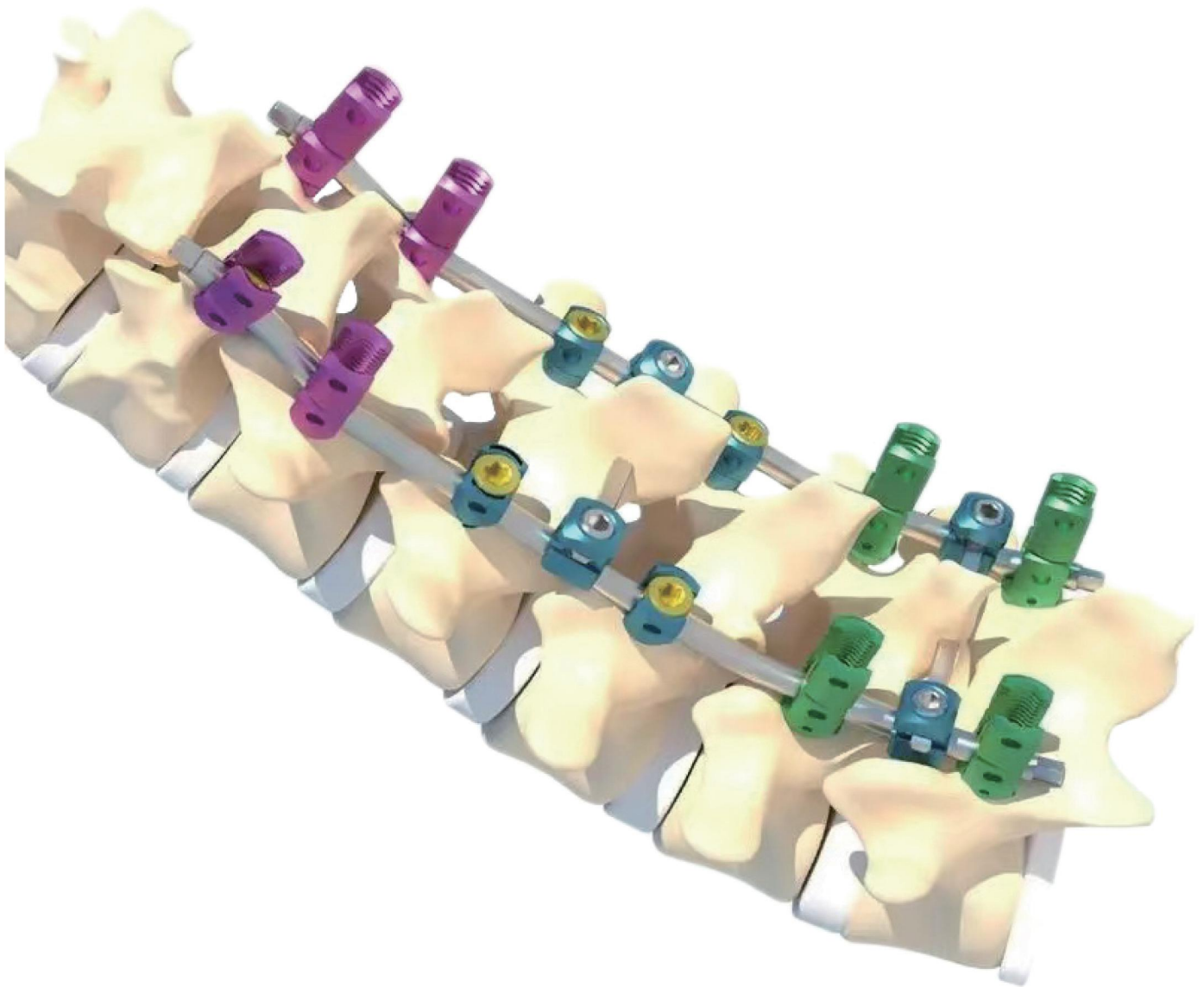


CareFix[®]

Spinal Internal Fixation System



Shanghai CareFix Medical

Posterior Thoracolumbar Screw-rod System

Multiple types of reduction interfaces

support various lifting/reduction techniques and meet diverse clinical needs

Low-notch design

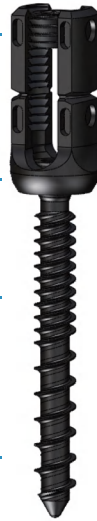
minimizes space under the rod and reduces irritation to surrounding soft tissues

Mechanically reinforced dual-thread

Proximal dual-thread and distal single-pitch screw design enhances pullout resistance and enables faster insertion

Tapered head design

provides guided insertion, with full threading for selftapping functionality



Swing Angle

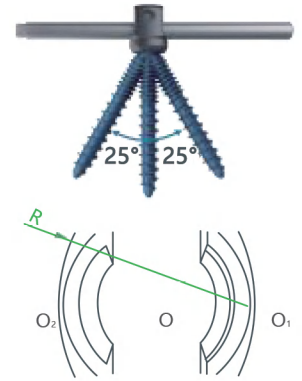
Polyaxial screw offers a 50° conical swing angle, allowing greater adjustment flexibility during screw placement

Multi-center axis design

Reduces notching while increasing screw wall thickness and strength

Unique structure

optimizes polyaxial screw mechanics and prevents ball head dislocation



Screw Plug

Negative-angle thread design reduces arm expansion and prevents plug dislodgement.

Break-off type plug with 10–12 Nm torque reduces stripping risk and ensures secure locking.



CrossLink

Snap-fit design for tool-free, easy installation
Length:55mm-80mm



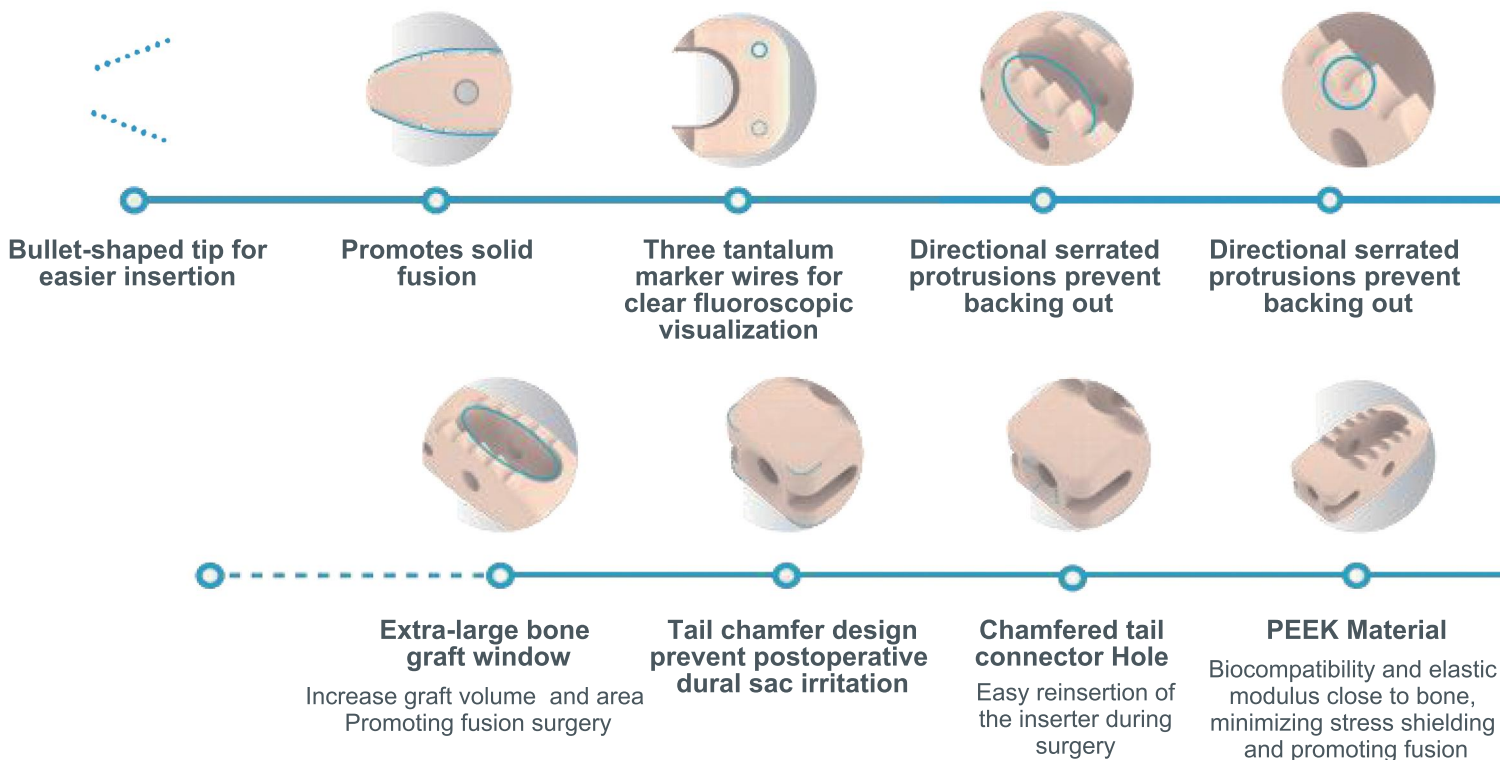
Straight Spinal Rod

Titanium alloy
Diameter:5.5mm
Length:55mm-250mm

Component Name	Type	Specs.	Code
Breakable Variable-Pitch Threaded Monoaxial Pedical Screw	JZXY03	4.5×35	83316035
Breakable Variable-Pitch Threaded Monoaxial Pedical Screw	JZXY03	4.5×40	83316040
Breakable Variable-Pitch Threaded Monoaxial Pedical Screw	JZXY03	4.5×45	83316045
Breakable Variable-Pitch Threaded Monoaxial Pedical Screw	JZXY03	4.5×50	83316050
Breakable Variable-Pitch Threaded Monoaxial Pedical Screw	JZXY03	5.0×35	83316135
Breakable Variable-Pitch Threaded Monoaxial Pedical Screw	JZXY03	5.0×40	83316140
Breakable Variable-Pitch Threaded Monoaxial Pedical Screw	JZXY03	5.0×45	83316145
Breakable Variable-Pitch Threaded Monoaxial Pedical Screw	JZXY03	5.0×50	83316150
Breakable Variable-Pitch Threaded Monoaxial Pedical Screw	JZXY03	5.5×35	83316235
Breakable Variable-Pitch Threaded Monoaxial Pedical Screw	JZXY03	5.5×40	83316240
Breakable Variable-Pitch Threaded Monoaxial Pedical Screw	JZXY03	5.5×45	83316245
Breakable Variable-Pitch Threaded Monoaxial Pedical Screw	JZXY03	5.5×50	83316250
Breakable Variable-Pitch Threaded Monoaxial Pedical Screw	JZXY03	6.0×35	83316335
Breakable Variable-Pitch Threaded Monoaxial Pedical Screw	JZXY03	6.0×40	83316340
Breakable Variable-Pitch Threaded Monoaxial Pedical Screw	JZXY03	6.0×45	83316345
Breakable Variable-Pitch Threaded Monoaxial Pedical Screw	JZXY03	6.0×50	83316350
Breakable Variable-Pitch Threaded Monoaxial Pedical Screw	JZXY03	6.0×55	83316355
Breakable Variable-Pitch Threaded Monoaxial Pedical Screw	JZXY03	6.5×35	83316435
Breakable Variable-Pitch Threaded Monoaxial Pedical Screw	JZXY03	6.5×40	83316440
Breakable Variable-Pitch Threaded Monoaxial Pedical Screw	JZXY03	6.5×45	83316445
Breakable Variable-Pitch Threaded Monoaxial Pedical Screw	JZXY03	6.5×50	83316450
Breakable Variable-Pitch Threaded Monoaxial Pedical Screw	JZXY03	6.5×55	83316455
Breakable Variable-Pitch Threaded Monoaxial Pedical Screw	JZXY03	7.0×35	83316535
Breakable Variable-Pitch Threaded Monoaxial Pedical Screw	JZXY03	7.0×40	83316540
Breakable Variable-Pitch Threaded Monoaxial Pedical Screw	JZXY03	7.0×45	83316545
Breakable Variable-Pitch Threaded Monoaxial Pedical Screw	JZXY03	7.0×50	83316550
Breakable Variable-Pitch Threaded Monoaxial Pedical Screw	JZXY03	7.0×55	83316555

Component Name	Type	Specs.	Code
Breakable Variable-Pitch Threaded Polyaxial Pedical Screw	JZXY03	4.5×35	83336035
Breakable Variable-Pitch Threaded Polyaxial Pedical Screw	JZXY03	4.5×40	83336040
Breakable Variable-Pitch Threaded Polyaxial Pedical Screw	JZXY03	4.5×45	83336045
Breakable Variable-Pitch Threaded Polyaxial Pedical Screw	JZXY03	4.5×50	83336050
Breakable Variable-Pitch Threaded Polyaxial Pedical Screw	JZXY03	5.0×35	83336135
Breakable Variable-Pitch Threaded Polyaxial Pedical Screw	JZXY03	5.0×40	83336140
Breakable Variable-Pitch Threaded Polyaxial Pedical Screw	JZXY03	5.0×45	83336145
Breakable Variable-Pitch Threaded Polyaxial Pedical Screw	JZXY03	5.0×50	83336150
Breakable Variable-Pitch Threaded Polyaxial Pedical Screw	JZXY03	5.5×35	83336235
Breakable Variable-Pitch Threaded Polyaxial Pedical Screw	JZXY03	5.5×40	83336240
Breakable Variable-Pitch Threaded Polyaxial Pedical Screw	JZXY03	5.5×45	83336245
Breakable Variable-Pitch Threaded Polyaxial Pedical Screw	JZXY03	5.5×50	83336250
Breakable Variable-Pitch Threaded Polyaxial Pedical Screw	JZXY03	6.0×35	83336335
Breakable Variable-Pitch Threaded Polyaxial Pedical Screw	JZXY03	6.0×40	83336340
Breakable Variable-Pitch Threaded Polyaxial Pedical Screw	JZXY03	6.0×45	83336345
Breakable Variable-Pitch Threaded Polyaxial Pedical Screw	JZXY03	6.0×50	83336350
Breakable Variable-Pitch Threaded Polyaxial Pedical Screw	JZXY03	6.0×55	83336355
Breakable Variable-Pitch Threaded Polyaxial Pedical Screw	JZXY03	6.5×35	83336435
Breakable Variable-Pitch Threaded Polyaxial Pedical Screw	JZXY03	6.5×40	83336440
Breakable Variable-Pitch Threaded Polyaxial Pedical Screw	JZXY03	6.5×45	83336445
Breakable Variable-Pitch Threaded Polyaxial Pedical Screw	JZXY03	6.5×50	83336450
Breakable Variable-Pitch Threaded Polyaxial Pedical Screw	JZXY03	6.5×55	83336455
Breakable Variable-Pitch Threaded Polyaxial Pedical Screw	JZXY03	7.0×35	83336535
Breakable Variable-Pitch Threaded Polyaxial Pedical Screw	JZXY03	7.0×40	83336540
Breakable Variable-Pitch Threaded Polyaxial Pedical Screw	JZXY03	7.0×45	83336545
Breakable Variable-Pitch Threaded Polyaxial Pedical Screw	JZXY03	7.0×50	83336550
Breakable Variable-Pitch Threaded Polyaxial Pedical Screw	JZXY03	7.0×55	83336555

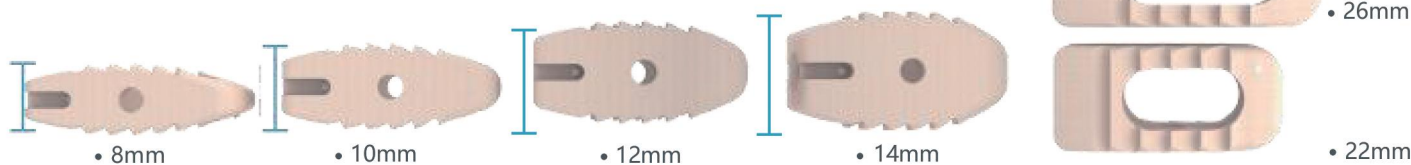
Thoracolumbar Intervertebral Fusion Cage



Superior-inferior

Beight: 8mm、10mm、12mm、14mm
Width (left–right): 10mm
Length (anterior–posterior): 22mm、26mm

Side view comparison chart of four sizes.



Type	Specs.	Code	Type	Specs.	Code
	(H×B×L)			(H×B×L)	
JRPB2	8×10×22	87320208	JRPB2	12×10×22	87320212
JRPB2	8×10×26	87320608	JRPB2	12×10×26	87320612
JRPB2	10×10×22	87320210	JRPB2	14×10×22	87320214
JRPB2	10×10×26	87320610	JRPB2	14×10×26	87320614

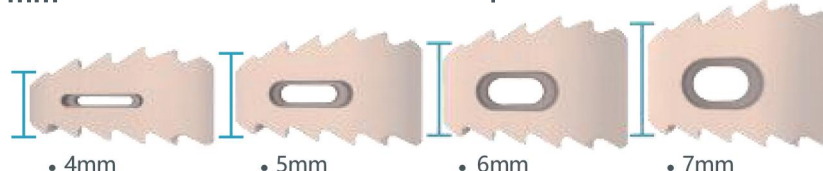
Cervical Intervertebral Fusion Cage

Posterior Height: 4mm、5mm、6mm、7mm

Width (left–right): 15.5mm

Length (anterior–posterior): 13mm

Side view comparison chart of four sizes.



Anterior Cervical Plate-screw System

Secure locking mechanism

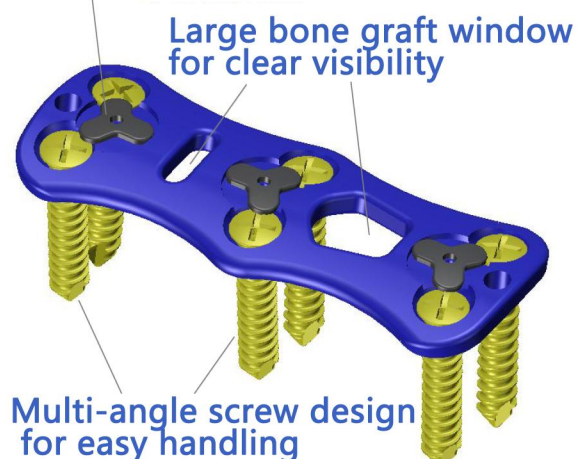


Plate			Cervical Screw		
Code	Type	Specs.	Code	Type	Specs.
81012525	QLB I 01	2.5×25,4H	81204012	QLDQ01G	Φ4.0×12
81012530	QLB I 01	2.5×30,4H	81204014	QLDQ01G	Φ4.0×14
81022535	QLB I 01	2.5×35,6H	81204016	QLDQ01G	Φ4.0×16
81022540	QLB I 01	2.5×40,6H	81204512	QLDQ01G	Φ4.5×12
81022550	QLB I 01	2.5×50,6H	81204514	QLDQ01G	Φ4.5×14
81032555	QLB I 01	2.5×55,8H	81204516	QLDQ01G	Φ4.5×16
81032565	QLB I 01	2.5×65,8H	81214012	QLDQ01Z	Φ4.0×12
81032570	QLB I 01	2.5×70,8H	81214014	QLDQ01Z	Φ4.0×14
81042575	QLB I 01	2.5×75,10H	81214016	QLDQ01Z	Φ4.0×16
81042585	QLB I 01	2.5×85,10H	81214512	QLDQ01Z	Φ4.5×12
81052595	QLB I 01	2.5×95,12H	81214514	QLDQ01Z	Φ4.5×14
81052510	QLB I 01	2.5×100,12	81214516	QLDQ01Z	Φ4.5×16

Lamina Fixation Plate System

- Pre-contoured, pre-bent, and available in various designs
- The diverse arrangements of screw holes enhance the flexibility of intraoperative screw placement.



Type	Code	Specs.
Fixation Plate I	82103108	0.8×4.8×8
	82104108	0.8×4.8×10
	82105108	0.8×4.8×12
	82118320	2.0×6.2×18
Fixation Plate II	82128106	0.6×4.8×18
	82123108	0.8×4.8×8
	82124108	0.8×4.8×10
	82125108	0.8×4.8×12
	82133108	0.8×4.8×8
	82134108	0.8×4.8×10
82135108	0.8×4.8×12	



Type	Code	Specs.
Fixation Plate III	82143221	0.8×5.5×4.0×8
	82144221	0.8×5.5×4.0×10
	82153221	0.8×5.5×4.0×8
	82154221	0.8×5.5×4.0×10
Fixation Plate IV	82164108	0.8×4.8×10
Fixation Plate V	82173208	0.8×5.5×8
	82174208	0.8×5.5×10
	82183208	0.8×5.5×8
	82184208	0.8×5.5×10
Fixation Plate VI	82192022	0.8×5.5×20
	82199022	0.8×5.5×90



Type	Code	Specs.
Fixation Screw	82202010	Ø2.0×10
	82202410	Ø2.4×10
	82202610	Ø2.6×10
	82203010	Ø3.0×10
	82202012	Ø2.0×12
	82202412	Ø2.4×12
	82202612	Ø2.6×12
	82212010	Ø2.0×10
	82212410	Ø2.4×10
	82212610	Ø2.6×10
	82213010	Ø3.0×10
	82212012	Ø2.0×12
82212412	Ø2.4×12	
82212612	Ø2.6×12	

Shanghai CareFix Medical Instrument Co.,Ltd

Web: www.carefix-ortho.com Tel: +86 400 098 2859

Email: carefixsh@gmail.com WhatsApp:18918690107

Add: No.31 Lane 1515,Rongle East Road,Songjiang District,Shanghai,China

