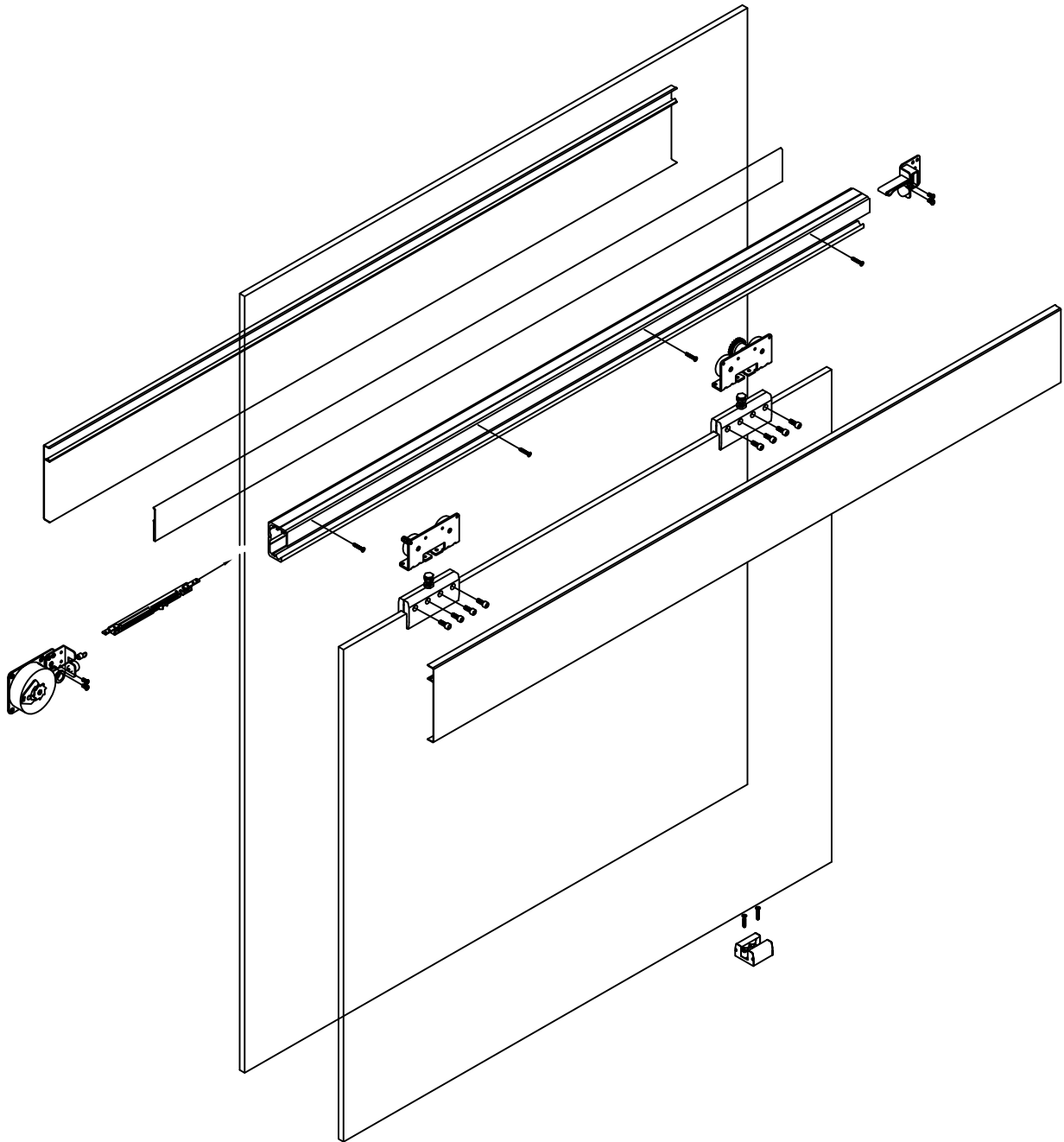


半自动缓冲移门使用说明书

Self-closing door with buffer instruction



产品特点:

1. 轻松开启, 自动闭合
自动闭门驱动装置采用牵引拉簧技术, 关闭自动、静音且力度可调。
2. 施工方便
导轨为侧面、顶部及玻璃墙体式安装型, 根据需要随时装卸。
3. 左右兼用
通过简单的操作即可实现门的左右开启方向的变更。
4. 性能稳定
闭门速度稳定, 不随温度的变化而变化。
5. 无电源装置
处于全开状态时, 门扇静止不动; 半开状态时, 内置无电源驱动会使门扇自动回归原位。

Product Features:

1. Open easily and close automatically
Automatic door system adopts traction coiling automatic technology, quiet, automatic and adjustable.
2. Simple construction, easily assemble
Each part is well-designed. Easily install and disassemble.
3. Flexibility install
This system can adapt to different door construction. Simple operation can change the open direction.
4. Stable performance
High quality assures stable performance. The door closes with stable speed.
5. No power supply device
No power is needed. when the door is fully open, it will be fixed and keep open. If not, the door will close automatically.

规格样式
Specifications

型号 Model	最大门宽 LH Door wide LH	导轨 L Guide L	装饰盖 Decorative cover	孔间距 L1 Hole spacing L1
BZD-B1600	800mm	1490mm		400mm
BZD-B2000	1000mm	1890mm		400mm
BZD-B2500	1200mm	2390mm		400mm
BZD-B3000	1500mm	2890mm		400mm
BZD-M1600	800mm	1490mm		400mm
BZD-M2000	1000mm	1890mm		400mm
BZD-M2500	1200mm	2390mm		400mm
BZD-M3000	1500mm	2890mm		400mm







注：BZD-B为玻璃门编号，BZD-M为木门编号
Noted: BZD-B for glass door item No. BZD-M for wooden door Item No.

技术指标
Technology Parameter

型号 Code	BZD-1600	BZMD-2000	BZMD-2500	BZMD-3000
门型 Style	单开门 Single door			
门洞宽度 Interior Width of Door	800mm	1000mm	1200mm	1500mm
安装方式 Sliding Force	外表式或隐藏式安装 Surface or concealed installation			
初始手推动力 The initial hand thrust	<20N			
适应环境温度 Suitsble Temperature	-30℃ ~ 50℃			

玻璃吊轮组的组合部分：

The combination of glass door wheel:

		数量 Quantity	编号 Item No.
	吊滑轮吊架 Pulley	2	BZM-04
	玻璃吊夹 Glass clamp	2	4B
	玻璃引导器 Floor guide	1	BD-1
	吊架螺杆 Screw	2	BZM-13
	调节高低扳手 Adjust spanner	1	BZM-12
	牵引钢丝固定螺丝 Screw	1	BZM-14

木门吊轮组的组合部分：

The combination of glass door wheel:

		数量 Quantity	编号 Item No.
	吊滑轮吊架 Pulley	2	BZM-04
	木门吊码 hanging bracket for wooden door	2	4075-A
	木门引导器 Floor guide	1	
	吊架螺杆 Screw	2	BZM-13
	调节高低扳手 Adjust spanner	1	BZM-12
	牵引钢丝固定螺丝 Screw	1	BZM-14

单向齿轮阻尼缓冲装置:

One-way gear damping accessories:

		数量 Quantity	型号 Item No.
	单向齿轮行程缓慢装置 One-way gear damping accessories	1	BZM-08
	缓冲齿条 Rack		BZM-12

缓冲阻尼装置:

Buffer accessory:

		数量 Quantity	型号 Item No.
	缓冲阻尼器 Buffer accessory	1	A02

弹簧回卷牵引盒装置:

Driving spring box accessories:

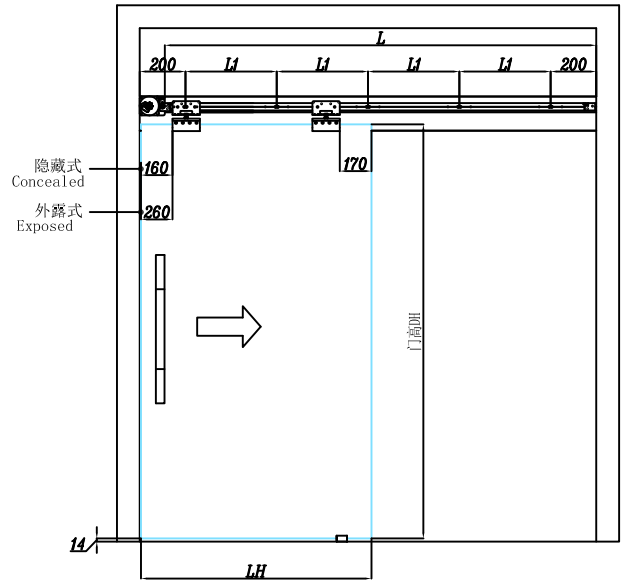
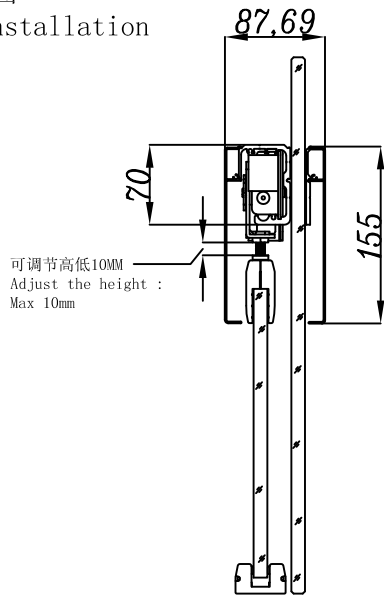
		数量 Quantity	型号 Item No.
	外露式弹簧回卷牵引盒 Exposed Driving spring box	1	BZM-05
	隐藏式弹簧回卷牵引盒 Concealed Driving spring box	1	BZM-11

止动装置:

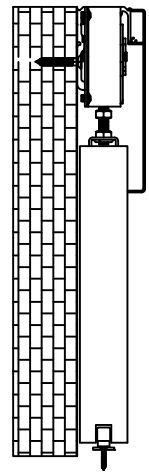
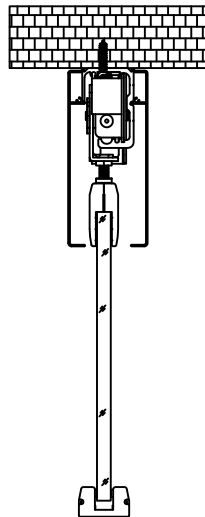
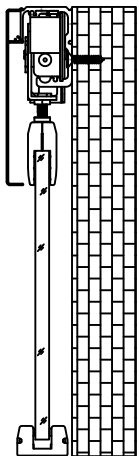
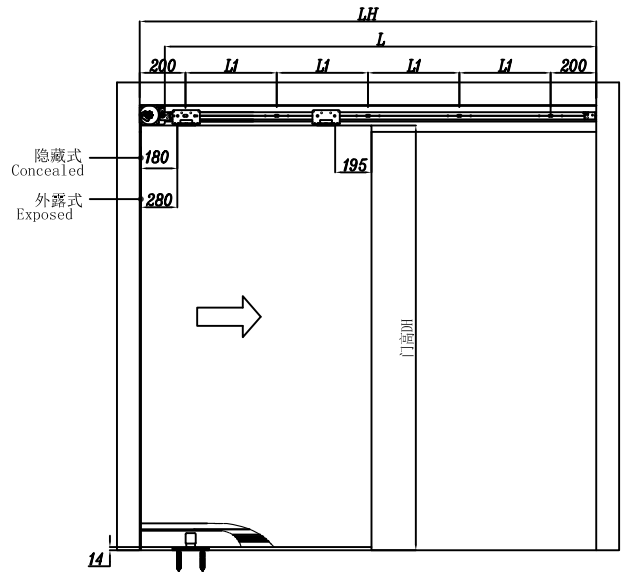
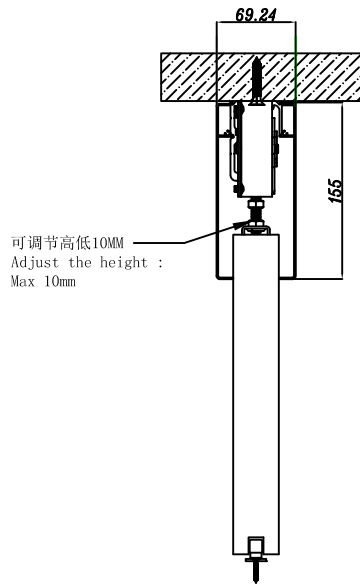
Locking accessories:

		数量 Quantity	型号 Item No.
	定位器 Door stopper	1	BZM-03

玻璃墙体安装图
Glass wall installation



木门顶部安装图
Wooden door top-mounted chart



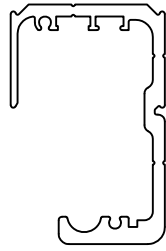
侧边安装图
The installation drawing lesions

上边安装图
the installation drawing(perpendicular to wall)

木门侧边安装图
Installation of wooden side



G16B



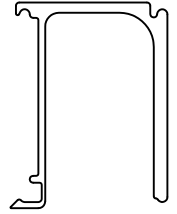
G16



G16C



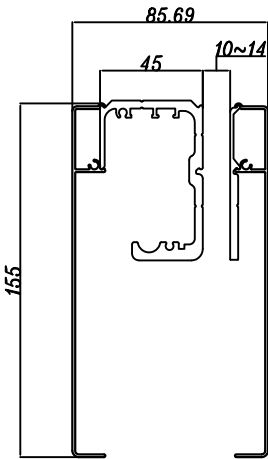
G09B



G09D

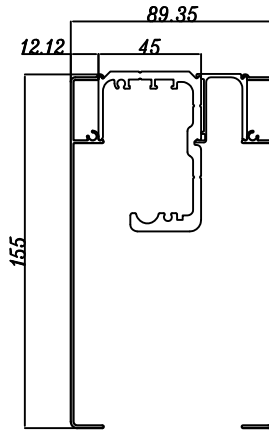
组合吊轨样式:

The combination of door profile:



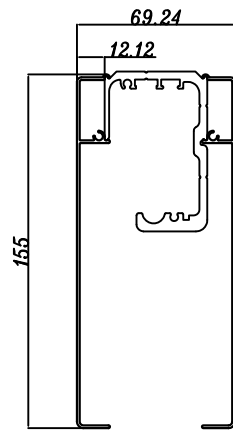
吊轨样式: G16B、G16、G16C、G16B
适用于玻璃门玻璃墙体安装

Combination : G16B,G16,G16C, G16B
used for side mounting on glass door



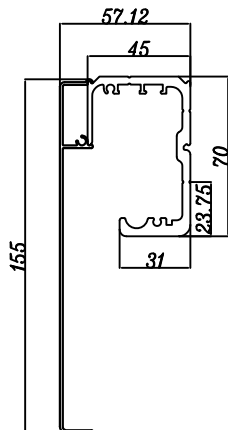
吊轨样式: G16B、G16、G16B
适用于单边玻璃固定顶部安装

Combination : G16B,G16, G16B
used for top mounting at top
of glass door



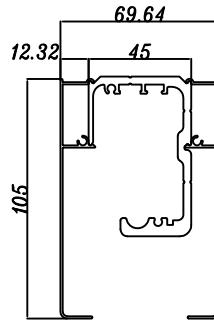
吊轨样式: G16B、G16、G16B
适用于玻璃门顶部安装

Combination : G16B,G16,G16B
used for top mounting for
glass door



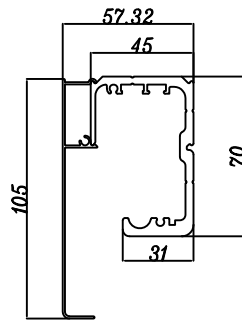
吊轨样式: G16B、G16
适用于玻璃门侧边安装

Combination : G16B,G16
used for side mounting for glass door



吊轨样式: G09B、G16
适用于木门顶部安装

Combination : G09B,G16
used for top mounting for
wooden door

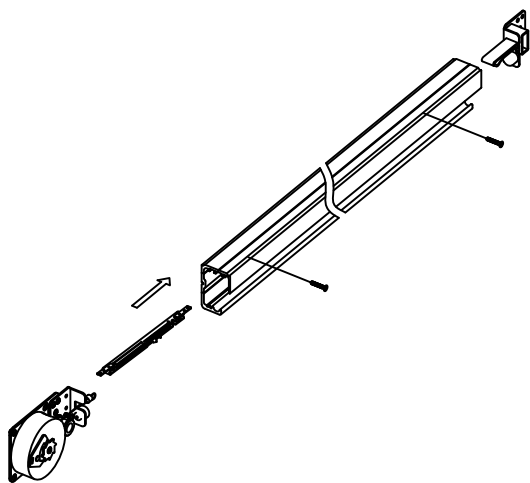


吊轨样式: G09B、G16
适用于木门侧边安装

Combination : G09B,G16
used for side mounting for
wooden door

安装步骤

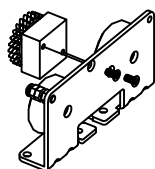
Installation step



吊轨的安装

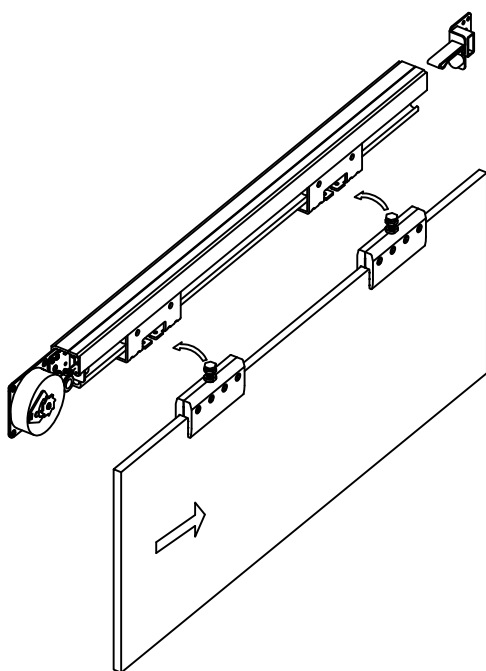
在安装吊轨前根据门所开启的方向先把定位器、缓冲齿条、缓冲阻尼器装入吊轨里后把弹簧回卷装置固定于吊轨上。（如左图中所示）安装完以上步骤再把吊轨按安装的方式固定吊轨。

First make sure the direction of opening door, then set the door stopper, the rack, the buffer into door profile. The second, set the driving spring box into door profile. Show as the left picture. At last, install the door profile.



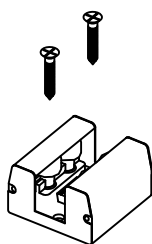
单向齿轮行程缓慢装置安装于门所开启方向的吊轮吊架上起到缓慢效果

Set the One-way gear according to the direction of opening door.



在固定好吊轨后把装有单向阻尼缓冲器的吊轮吊架放在门所开启的方向放入吊轨上，再把已安装好玻璃固定夹的玻璃门或木门挂上已放好的吊轮吊架上调节好高低即可。

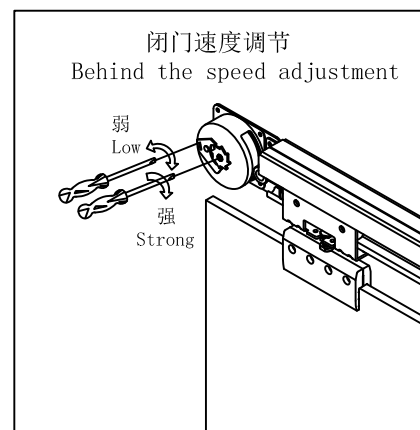
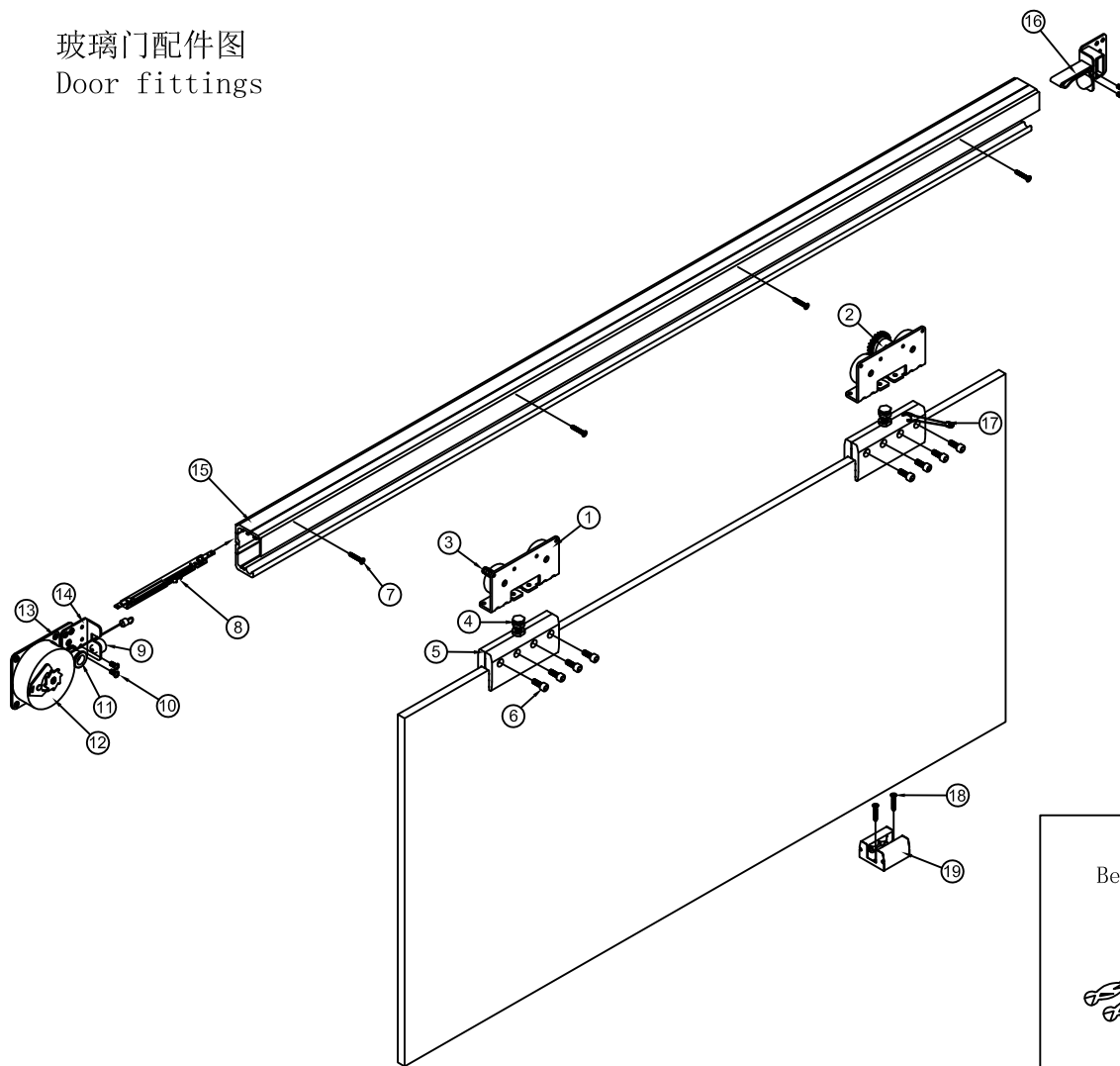
Set the pulley into door profile according to the direction of opening door, then make sure the clamp for the door is stable and set it up the pulley. At last, adjust the height of door.



地面限位导滑件：将其安装在玻璃门垂直下端的地板上并调节好所需位置固定即可。

Floor guide: set the guide on the floor stably and adjust it for glass door accurately.

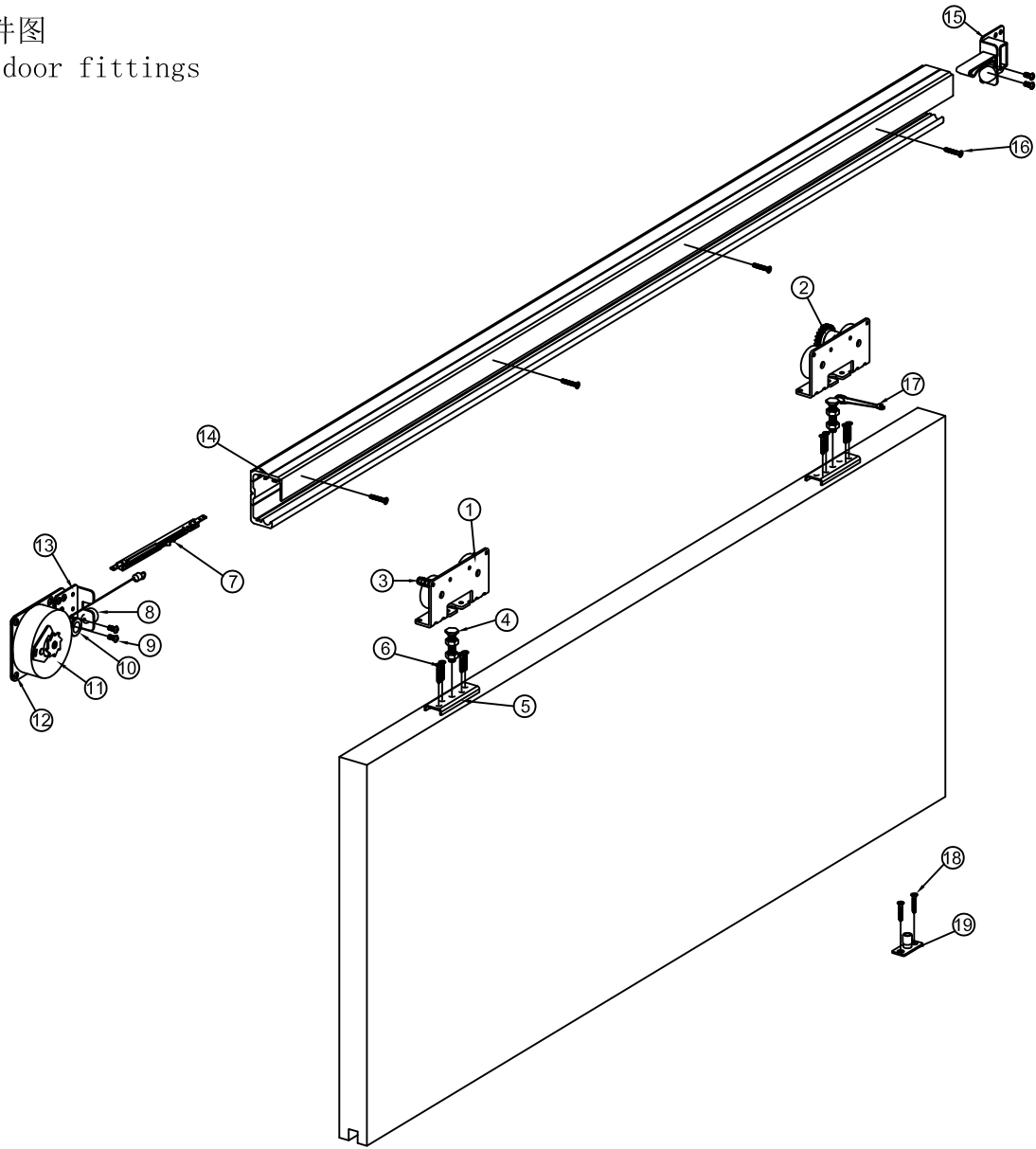
玻璃门配件图
Door fittings



序号 NO.	零件名称 Name of parts	数量 Quantity	备注 Remark	序号 NO.	零件名称 Name of parts	数量 Quantity	备注 Remark
①	轮架 Wheel frame	1套 1set	标准配置 Standard configuration	⑪	拉簧转动套 Coiling rotation	1件 1PCS	标准配置 Standard configuration
②	制动器 Brakes	1件 1PCS	标准配置 Standard configuration	⑫	牵引盒 Draw box	1件 1PCS	标准配置 Standard configuration
③	M5X20圆头螺丝 M5X20 round head screws	1件 1PCS	标准配置 Standard configuration	⑬	M5X5圆头螺丝 M5X5 round head screws	6件 6PCS	标准配置 Standard configuration
④	M8X35外六角螺丝 M8X35 hex screws	2件 2PCS	标准配置 Standard configuration	⑭	固定片 Fixed slice	1件 1PCS	标准配置 Standard configuration
⑤	玻璃固定夹 Glass clamp	1套 1set	标准配置 Standard configuration	⑮	吊轨 Hanging rails	1件 1PCS	标准配置 Standard configuration
⑥	M6X16内六角螺丝 M6X16 hex screws	8件 8PCS	标准配置 Standard configuration	⑯	定位器 Stopper	1件 1PCS	标准配置 Standard configuration
⑦	导轨固定螺丝 Rail fixed screw			⑰	调节扳手 Spanner	1件 1PCS	标准配置 Standard configuration
⑧	缓冲阻尼器 Buffer damper			⑱	M3.5X25沉头螺丝 M3.5 X25 countersunk head screws	2件 2PCS	标准配置 Standard configuration
⑨	防撞胶 Impact-proof plastic	2件 2PC	标准配置 Standard configuration		引导器 Flvor guide	1件 1PCS	标准配置 Standard configuration
⑩	M5X12圆头螺丝 M5X12 round head screws	3件 3PC	标准配置 Standard configuration				

木门配件图

Wooden door fittings



序号 NO.	零件名称 Name of parts	数量 Quantity	备注 Remark	序号 NO.	零件名称 Name of parts	数量 Quantity	备注 Remark
①	轮架 Wheel frame	1套 1set	标准配置 Standard configuration	⑪	牵引盒 Draw box	1件 1PCS	标准配置 Standard configuration
②	制动器 Brakes	1件 1PCS	标准配置 Standard configuration	⑫	M5X5圆头螺丝 M5X5 round head screws	6件 6PCS	标准配置 Standard configuration
③	M5X20圆头螺丝 M5X20 round head screws	1件 1PCS	标准配置 Standard configuration	⑬	固定片 Fixed slice	1件 1PCS	标准配置 Standard configuration
④	M8X35外六角螺丝 M8X35 hex screws	2件 2PCS	标准配置 Standard configuration	⑭	吊轨 Hanging rails	1件 1PCS	标准配置 Standard configuration
⑤	吊码 Condole	1套 1set	标准配置 Standard configuration	⑮	定位器 Stopper	1件 1PCS	标准配置 Standard configuration
⑥	M3.5X30沉头螺丝 M3.5 X30 countersunk head screws	8件 8PCS	标准配置 Standard configuration	⑯	M5X30沉头螺丝 M5X30 countersunk head screws	8件 8PCS	标准配置 Standard configuration
⑦	缓冲阻尼器 Buffer damper		标准配置 Standard configuration	⑰	调节板手 Spanner	1件 1PCS	标准配置 Standard configuration
⑧	防撞胶 Impact-proof plastic	2件 2PCS	标准配置 Standard configuration	⑱	M3.5X25沉头螺丝 M3.5 X25 countersunk head screws	2件 2PCS	标准配置 Standard configuration
⑨	M5X12圆头螺丝 M5X12 round head screws	3件 3PCS	标准配置 Standard configuration		引导器 Flvor guide	1件 1PCS	标准配置 Standard configuration
⑩	拉簧转动套 Coiling rotation	1件 1PCS	标准配置 Standard configuration				