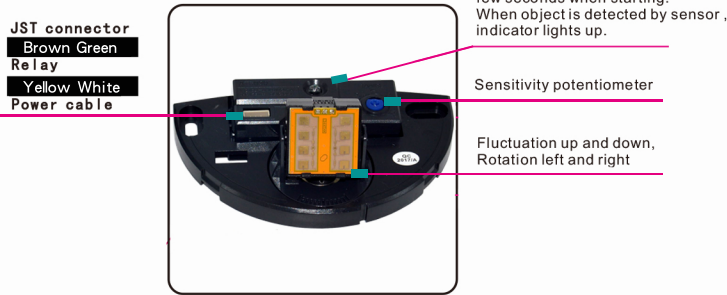


### 1 Safety Instruction

Related part should be operated under low voltage condition. All installation process and maintenance should be carried out by the supplier

### 2 Name of related parts



### 3 Installation

1. Please do the installation in the proper position, Installation height within 3.5m. Please arrange hole (mm)  $\varnothing$  (on the installation module. And hole ( $\varnothing$ 12mm) for inserting guide line. Remove the burrs during digging the wire hole, Open the installation board after the hole process.

2. Please connect the signal cable with the terminal of automatic door.

Yellow and White: Signal output COM/NO  
Brown and Green: AC/DC12V-24V

3. Take the outer cover off, and fix the screws.

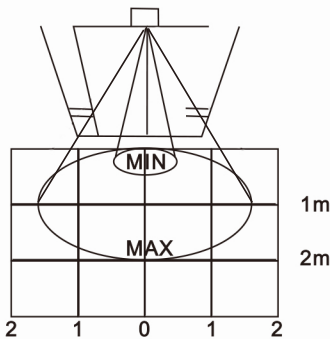
4. Finish the cable connection and get on power.

5. Please set the detection range and disjunctur accordingly

6. Cover With The Lid

### 4 Adjustment( Get on power)

1. Detection range as below shown



NOTE: Please stand out of the detection range around 5S to ensure the sensor has enough time to finish the self-adjustment.

2. Sensitivity Adjustment



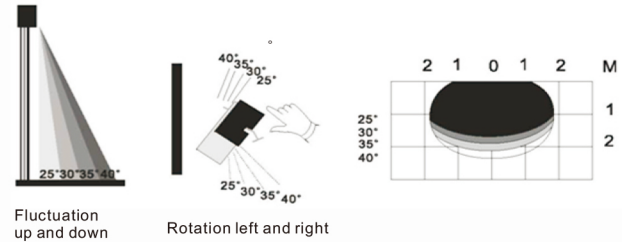
Detection Range

MIN:0.5\*0.4m  
MAX:3.5\*2M

Select different detection range by adjusting sensitivity knob

3. Adjustment of detection direction  
(Adjust Direction of front and back/Left and Right flexibly)

Adjusting angle of Plain aerial to get different detection distance and range  
30 15x2range



**NOTE:**

Initial setting is 45degree by factory.

All the parameters above are only for reference, detection height is 2.2M.

Detection range will be different because of the making material of door and ground, please adjust the sensitivity by the knob mentioned above.

When it is adjusted to 60 degree, the detection range is the widest, door will keep on closed and open all the time.

### 5 Special Note



### 6 Failure cause

Symptom	Cause	Method
Door&Indicator lose failure	Did not get on power	Check cable connection & power supply
Door keep on closed and open	Sensor detected the movement of autodoor;vibration of movement	1.adjust angle 2.check the position 3.adjust sensitivity
Door do not close Red indicator lose failure	1.Switch of autodoor controller lose failure 2.incorrect position 3.Incorrect output of sensor	Check the switch of autodoor controller &setting of ouput.
Door keeps on moving when it rains	Sensor detected the actions of rain	Adopt waterproof accessories

### 7 Parameter

Technology: Microwave&microwave disposer	Frequency:24.125GHz
Transmitting power: 20dBm EIRP	Launch frequency density: 5mW/cm2
Installation Height:3M(MAX)	Installation Angle:0-90 degree(lengthways) -30 to +30(lateral)
Detection Mode:Motion	Min detection speed:5cm/s
Power: 2W(VA)	Detection range:8m*4m(Installation Height 2.2M)
Maximum voltage:42AC-60V DC	Maximum Current:1A
Maximum switching power:30W(DC)/60VA(AC)	Retention time:0.5S
Guide line:2.5M	Working temperature:-20 ℃ to+55 ℃
Protection class:IP54	Sheating material: ABS plastic
Color: silvery	
Anti-interference performance:R&TTE 1995/5/EC,EMC 89/366/EEC	
Power Voltage: 12V to 30V AC+/-10% (50Hz to 60Hz) ; 12V to 36V DC	
Size: 120mm(W)×80mm(H)×50mm(D)	