

---

# XS90 SCRUBBER & SWEEPER



CAUTION: Read The Instruction Before Using The Appliance

<b>1</b>	<b>Index.....</b>	<b>1</b>
<b>2</b>	<b>Description of the machine.....</b>	<b>3</b>
<b>2.1</b>	<b>Introduction.....</b>	<b>3</b>
<b>2.2</b>	<b>Manual description.....</b>	<b>3</b>
<b>3</b>	<b>Normal description.....</b>	<b>4</b>
<b>3.1</b>	<b>Annex.....</b>	<b>4</b>
<b>3.2</b>	<b>Disposal of waste machine.....</b>	<b>4</b>
<b>3.3</b>	<b>Symbols in the operating manual.....</b>	<b>4</b>
<b>3.4</b>	<b>Symbols on vehicles.....</b>	<b>5</b>
<b>4</b>	<b>Safety instructions.....</b>	<b>6</b>
<b>4.1</b>	<b>General safety instructions.....</b>	<b>6</b>
<b>4.2</b>	<b>Uninstallation precautions.....</b>	<b>8</b>
<b>4.3</b>	<b>Safety instructions for operation.....</b>	<b>8</b>
<b>4.4</b>	<b>Safety instructions for driving.....</b>	<b>9</b>
<b>4.5</b>	<b>Safety instructions for batteries.....</b>	<b>9</b>
<b>4.6</b>	<b>Safety instructions for vehicle transportation.....</b>	<b>10</b>
<b>4.7</b>	<b>Safety instructions for maintenance.....</b>	<b>10</b>
<b>5</b>	<b>Model Overview.....</b>	<b>11</b>
<b>5.1</b>	<b>Equipment appearance.....</b>	<b>11</b>
<b>5.2</b>	<b>Charging port/power switch.....</b>	<b>11</b>
<b>5.3</b>	<b>Recovery tank.....</b>	<b>12</b>
<b>5.4</b>	<b>Steering wheel console.....</b>	<b>12</b>
<b>5.5</b>	<b>Pedal.....</b>	<b>13</b>
<b>6</b>	<b>Startup.....</b>	<b>13</b>
<b>6.1</b>	<b>Preparation/safety inspection before startup.....</b>	<b>13</b>
<b>6.2</b>	<b>Add water.....</b>	<b>13</b>
<b>7</b>	<b>Operation.....</b>	<b>14</b>
<b>7.1</b>	<b>Travel mode.....</b>	<b>14</b>
<b>7.2</b>	<b>Scrubbing mode.....</b>	<b>14</b>
<b>7.3</b>	<b>Sweeping mode.....</b>	<b>14</b>
<b>7.4</b>	<b>Discharge of sewage.....</b>	<b>15</b>
<b>7.5</b>	<b>Close machine.....</b>	<b>15</b>
<b>8</b>	<b>Removing/installing additional equipment.....</b>	<b>15</b>
<b>8.1</b>	<b>Check/adjust additional equipment.....</b>	<b>15</b>
<b>9</b>	<b>Transport.....</b>	<b>16</b>
<b>9.1</b>	<b>Dragging vehicles.....</b>	<b>16</b>
<b>10</b>	<b>Storage.....</b>	<b>16</b>
<b>11</b>	<b>Maintance.....</b>	<b>16</b>
<b>11.1</b>	<b>General description.....</b>	<b>16</b>
<b>11.2</b>	<b>Maintenance Cycle.....</b>	<b>16</b>
<b>11.3</b>	<b>Maintenance tasks.....</b>	<b>17</b>
<b>11.4</b>	<b>Maintenance cycle table.....</b>	<b>17</b>
<b>11.5</b>	<b>Replacement of consumable parts.....</b>	<b>18</b>
<b>12</b>	<b>Troubleshooting.....</b>	<b>24</b>
<b>13</b>	<b>Warranty Description.....</b>	<b>26</b>

---

## 2.1、 Index

Dear user

Welcome to use our company's series of washing and sweeping all-in-one machines. Note: This manual is only applicable to the XS90 washing and scanning integrated machine.

To help you familiarize yourself with your beloved aircraft, we kindly ask you to carefully read this manual before driving your new one. You can receive important tips about the XS90 washing and scanning all-in-one machine, allowing you to fully utilize the technical characteristics of XS90 and enjoy an endless cleaning experience. In addition, the User Manual also specifies the establishment and termination of product quality assurance responsibilities, after-sales service rights and obligations between our company and users. Please read the User Manual carefully before using our company's products. At the same time, you will also receive information about maintenance, which is crucial for the driving safety and traffic safety of the XS90 washing and sweeping machine, as well as for the maintenance of the vehicle.

All information in this manual is up-to-date until the book is delivered for printing. However, as our company has the right to improve the functionality and structure of our products to meet the diverse needs of users. Therefore, our company reserves the right to make changes without notifying the customer.

Sincerely wish you a pleasant driving experience!

## 2.2、 Manual description

Important Prompt:

#Our company is fully responsible for the revision and explanation of the "User Manual", and reserves the right to notify the improved products after printing this manual separately. Some pictures in this manual are schematic diagrams for reference only. If the pictures do not match the actual product, the actual one shall prevail.

#Please place this manual in your device so that you can easily find it when you need it again. This User Manual is an important component of the accompanying documents for this device.

#If any product of our company is found to malfunction during use, please refer to the maintenance manual and contact our company. Do not disassemble the equipment without authorization. If you operate it without authorization, you will be responsible for any unforeseen consequences caused.

#If the equipment needs to be replaced with parts, qualified matching kits produced by our company must be used. It is not allowed to use components outside of our company. Otherwise, it will not be covered by the quality warranty, and any unforeseen consequences arising from this will be borne by ourselves.


#The machine model and body number are written on the body label, which is very important when you purchase accessories.

#If you encounter any unclear areas during the reading of this manual, our company will provide you with more detailed explanations and welcome valuable feedback from users.

### 3.1、Annex

No.	Name	Unit	Q'ty
1	Main body	piece	1
2	Charger	set	1
3	Tool	bag	1
4	Bracket	piece	1
5	Slope board	piece	1
6	Manual	book	1
7	Certificate	piece	1

### 3.2、Disposal of waste machine

 **Attention:** Waste vehicles contain valuable materials and should be reasonably recycled. We suggest that you cooperate with a waste management company to dispose of waste vehicles.

### 3.3、Symbols in the operating manual

 **Dangerous!**  
These signs refer to situations that pose a danger to the operator (even the risk of death).

 **Electric hazard warning!**


This sign refers to the potential danger of injury to personnel.


 **Caution!**


This symbol refers to caution or important related remarks or useful functions. Pay special attention to the places where these symbols are marked in the paragraph.


 **Attention: You must read this user manual before using this machine.**

### 3.4、Symbols on the machine

 **Warning: This sign reminds the user that this operation carries danger**

 **Attention:** This symbol reminds users that this operation is an important operation of this product!

 **Unauthorized disassembly of the machine for repair or debugging is strictly prohibited**

 **Do not replace the power cord without authorization**



Choose a three core cable with a grounding wire for AC power supply and install the grounding wire correctly.



Do not place the charger in a rainy area



The DC plug and socket should be securely connected. If there is any damage or looseness, please replace it immediately.



If there is any abnormal sound or odor during normal operation of the charger, please unplug the power plug.



If maintenance is needed, please contact our company in a timely manner, and we will solve it for you as soon as possible.



It is prohibited to lengthen or replace the output cable.



Do not block the air inlet and outlet of the charger



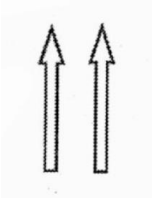
Please disconnect the power cord and charging plug when moving the charger.



The battery voltage must match the nominal voltage of the charger (24V charger only allows charging of 24V batteries).



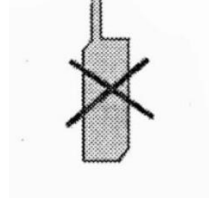
To avoid damaging the charging cable, please do not pull, twist, or shake the cable.



Forward placement



Preventing Rain



Disassemble prohibition

#### 4.1、 General safety introduction



##### **Danger!**

※ Before any maintenance or repair, the power must be turned off and the key on the main power switch must be removed.

※ This machine must be used by professionally trained fixed personnel. Children, disabled individuals, and non professionals are strictly prohibited from using this machine.

Keep the battery away from sparks, flames, and fireworks.

Do not wear accessories when using this machine.

Do not use in hazardous, flammable, or explosive gas, liquid, or water vapor areas.

When charging the battery, please charge it in a ventilated area and keep the cover open and away from open flames.

---

※ This machine is only used as a cleaning tool. If it is used for other purposes beyond the instructions in this manual, we will not bear any responsibility for this.

※ This machine can clean the ground without obvious large particle waste. If there is large particle waste on the ground, please clean it in advance before cleaning the ground. Otherwise, if the suction motor is burned due to the blockage of the sewage pipe by large pieces of waste, and unexpected consequences are caused, please bear your own responsibility.

※ This machine can only be used by professionals, and it is strictly prohibited for minors and non professionals to drive.

It is strictly prohibited to drive under the influence of alcohol, and speeding is strictly prohibited.

There is a risk of overturning when driving on steep slopes and turning at high speeds.

When the machine stops working, unrelated personnel should be kept away from the machine.

When the machine is working, the working speed should be controlled within 5km/h to achieve the best cleaning effect.

※ Ensure that the battery is in a ventilated area during charging. If a low voltage alarm occurs after the machine stops working or during operation, the battery should be charged in a timely manner to extend its service life.

※ After completing the work, the key should be promptly removed to prevent unauthorized personnel from using it.

※ Please do not use it in a rainy day without shelter.



### **Warning!**

※ Please carefully read the maintenance and repair instructions before performing any maintenance and repair operations.

※ Please keep loose clothing, hair, fingers, and any other parts of the body away from the machine's air vents and any moving parts.

※ Please do not smoke while charging the battery.

※ When connecting the battery charger to the main line, ensure that the voltage and frequency are consistent with those on the nameplate.

※ If the wire of the battery charger is damaged, please do not charge the battery. If the machine is damaged or falls into water, please contact our company's after-sales service center.

§ Do not pull the wires of the battery charger onto the machine, nor use the charger wires as handles. Please be careful not to pinch the wires of the battery charger when closing the door, and be careful not to scratch the wires in sharp places. Do not use battery charger wires to operate the machine.

※ Keep the battery charger wires away from hot areas.

※ To reduce fire risk, electric shock, or personal injury, do not leave the machine while the plug is still on the socket.

※ To avoid electric shock, do not place the machine outdoors and store it indoors.

Do not use the machine as a toy, and be particularly careful not to let children get close.

※ Operate the machine according to this instruction manual. Only accessories provided by our company can be used.

※ When the machine stops, remember to pull out the key.

※ Do not drive the machine on roads that exceed the specified slope.

※ Do not directly clean the machine with flowing water to avoid causing pressure, and do

---

not use aggressive cleaning agents to clean the machine.

※ Do not use this machine in very dirty areas.

※ Carefully follow the following regulations to avoid injury to personnel or children and damage to the machine.

※ Do not use the machine as a means of transportation.

※ When the machine is not moving forward, do not let the brush continue to rotate to avoid ground damage and brush wear.

※ In case of a fire, please remember to use a powder fire extinguisher instead of using water to extinguish the fire.

※ Do not collide with shelves that may cause objects to fall off.

※ Adjust the machine's travel speed according to the severity of ground stains.

※ Do not change the safety protection device of the machine; Follow the maintenance instructions to maintain the car.

※ Do not move or modify the nameplate on the machine.

※ When a machine malfunctions during operation, it is important to ensure that the malfunction is not caused by a lack of scheduled maintenance. Otherwise, seek assistance from our company's maintenance service center.

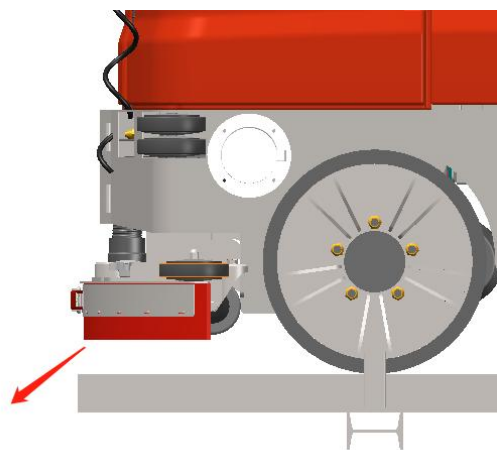
※ If some parts need to be replaced, you can purchase spare parts from our company's after-sales service department.

※ To ensure the proper operation and safety conditions of the machine, professionals or service centers must work in accordance with the relevant maintenance sections of this manual

※ When the machine needs to be dismantled and scrapped, someone should also be present to pay attention. Because some harmful substances (such as waste batteries, waste oil, plastic), although they meet the standards, should also be sent to a specific center for treatment.

#### 4.2、 Installation precaution

1. Open the outer packaging film;
2. The rear wheels of the machine are fixed to the pallet with iron clamps and tied tightly with packing straps;
3. Remove the iron hoop and loosen the packaging belt;
4. Unload the machine along the wooden pallet;
5. Keep this iron tray for future handling.



### 4.3、 Safety instructions for operation



**Attention:** The washing and sweeping integrated machine must be operated by a fixed operator on a relatively flat cement, epoxy floor, ceramic tile, and other surfaces to clean and sweep floor stains.



**Attention:** During the work process, special cleaning agents can be used appropriately according to the degree of ground pollution. For example, when using cleaning agents, special defoamers should be used in conjunction with the sewage tank.

When the sewage display light on the control panel is on (the sewage tank is full), please stop the operation and discharge the sewage thoroughly.

After each operation, the sewage tank must be emptied in a timely manner and cleaned with a water gun to avoid breeding bacteria and affecting the future use effect.



**Caution:** Once the sewage display light on the control panel lights up, please stop the operation immediately and discharge the sewage thoroughly. Otherwise, the suction motor may be short circuited and burned due to water ingress, resulting in unpredictable consequences. Please bear the responsibility yourself.

During use, if there is a large amount of solid waste on the ground that has not been cleaned in advance, resulting in blocking the suction rubber inlet, affecting the drying effect, and even causing the suction motor to burn out due to overload, resulting in unpredictable consequences, please bear it yourself.

### 4.4 Safety instructions for driving



**Attention:** When the machine stops working, the brush disc and suction cup must be lifted to prevent deformation.



**Caution!** When the machine is turned off or malfunctioning, it is necessary to push/drag the machine to ensure that the speed is not greater than 5km/h, and to remove a walking motor wire.



**Warning!**

**Before stepping on the accelerator pedal every time, be sure to check whether the handbrake pad is in a non braking position.**

**If the handbrake pad is in the braking position, when the accelerator pedal is pressed, it will inevitably cause the drive axle motor to burn out, as well as severe wear on the brake pad and damage to the rear wheel aluminum hub. Our company is not responsible for any vehicle malfunctions caused by human error in operation.**



### 4.5、 Safety instructions for batteries

1. It is necessary to avoid the battery being in a low voltage state and charge it as soon as possible.
2. This battery is a maintenance free lead-acid battery and does not require the addition of electrolyte.
3. To avoid leakage, please keep the battery dry and clean, especially to remove pollutants such as metal dust.



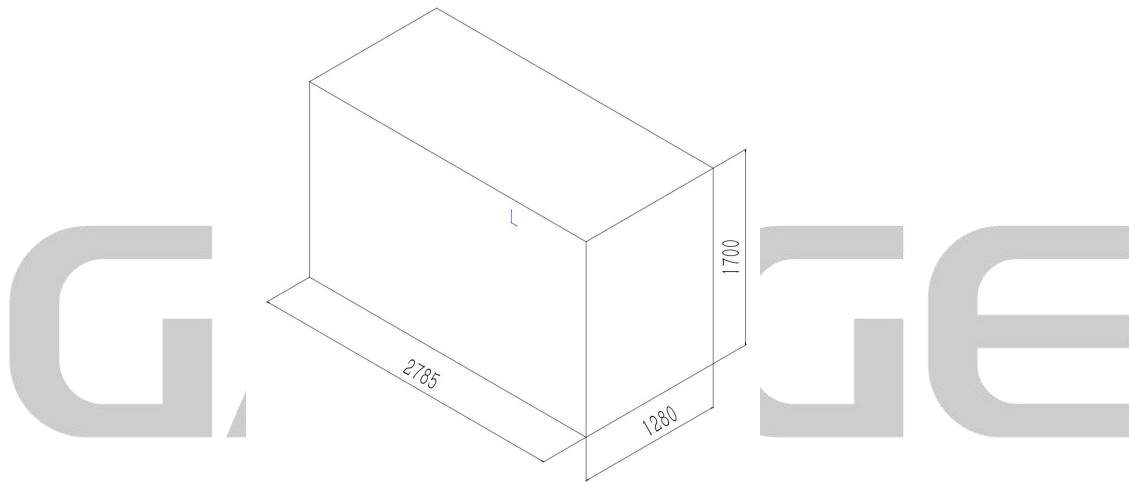
- 
4. It is prohibited to place metal parts (such as tools) on the battery to prevent short circuit and burning of the battery;
  5. Please follow local regulations when recycling batteries;
  6. It is prohibited to use open flames when handling or handling batteries;
  7. The charging room should be well ventilated;
  8. When the key switch is in the on position, it is prohibited to connect or remove the battery;

Before disassembling the battery, first disconnect the negative (-) battery wire, and then disconnect the positive (+) battery wire. When rewiring, be sure to pay attention to the polarity of the battery, as incorrect connections can damage electrical components;

10. Avoid direct contact between the positive and negative electrodes, as it can cause high current short circuits, generate high heat, and even have the possibility of ignition.

#### **4.6、 Safety instructions for vehicle transportation**

The machine is packaged and fixed on a special pallet for complete shipment, and can be transported using a forklift. The machine can only be placed in a single layer.



Package dimension: Length: 2785 mm width: 1280mm Height: 1700 mm

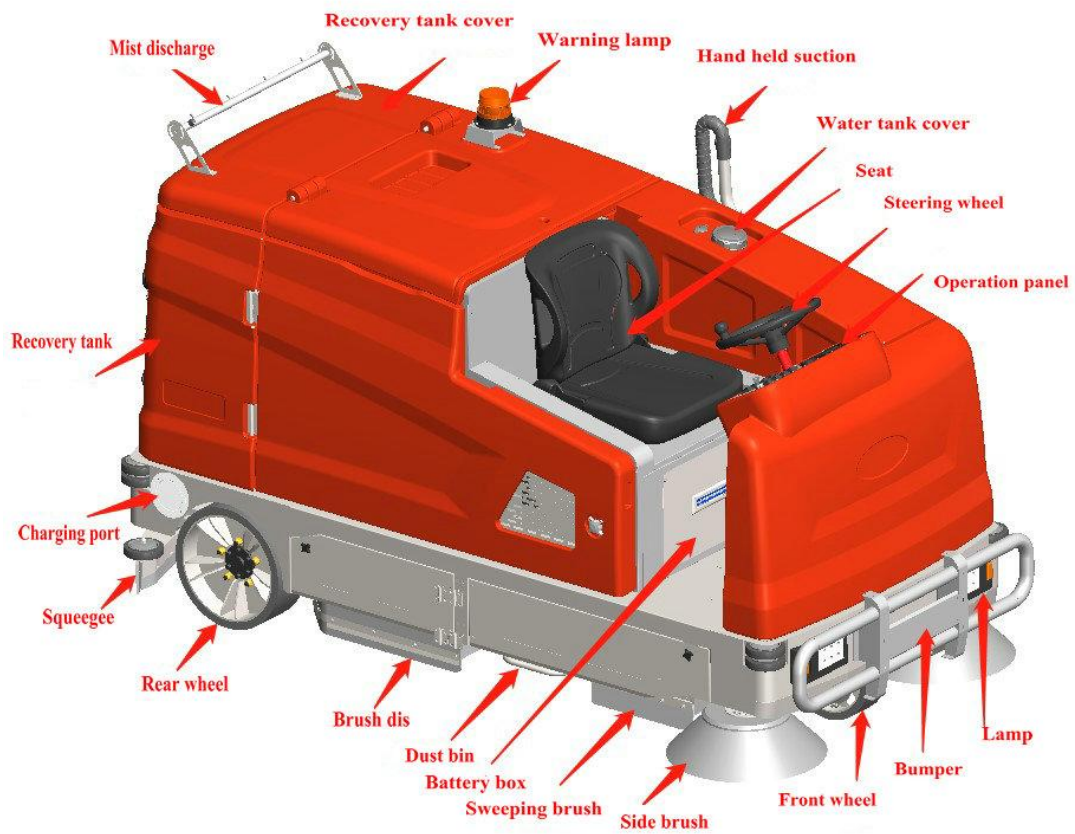
#### **4.7、 Safety instructions for maintenance**

All necessary operations, maintenance, and repair procedures must be completed by professionals. Please choose our company's original accessories. Please contact our company's after-sales service center to purchase accessories or require repairs. Please provide detailed information on the machine model and body number.

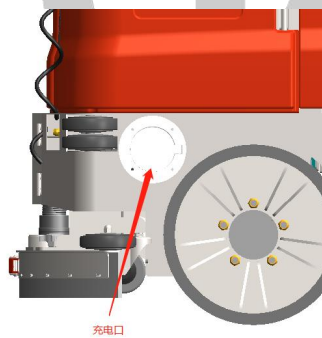
By combining daily and weekly maintenance, equipment problems can be identified in a timely manner, maintaining good working condition and ensuring work efficiency.

Moreover, paying attention to maintenance and upkeep not only ensures the efficiency of the floor scrubber, but also greatly benefits its service life. You should cultivate this good habit!

#### **5.1、 Equipment appearance**



### 5.2、Charging port/power switch



充电口

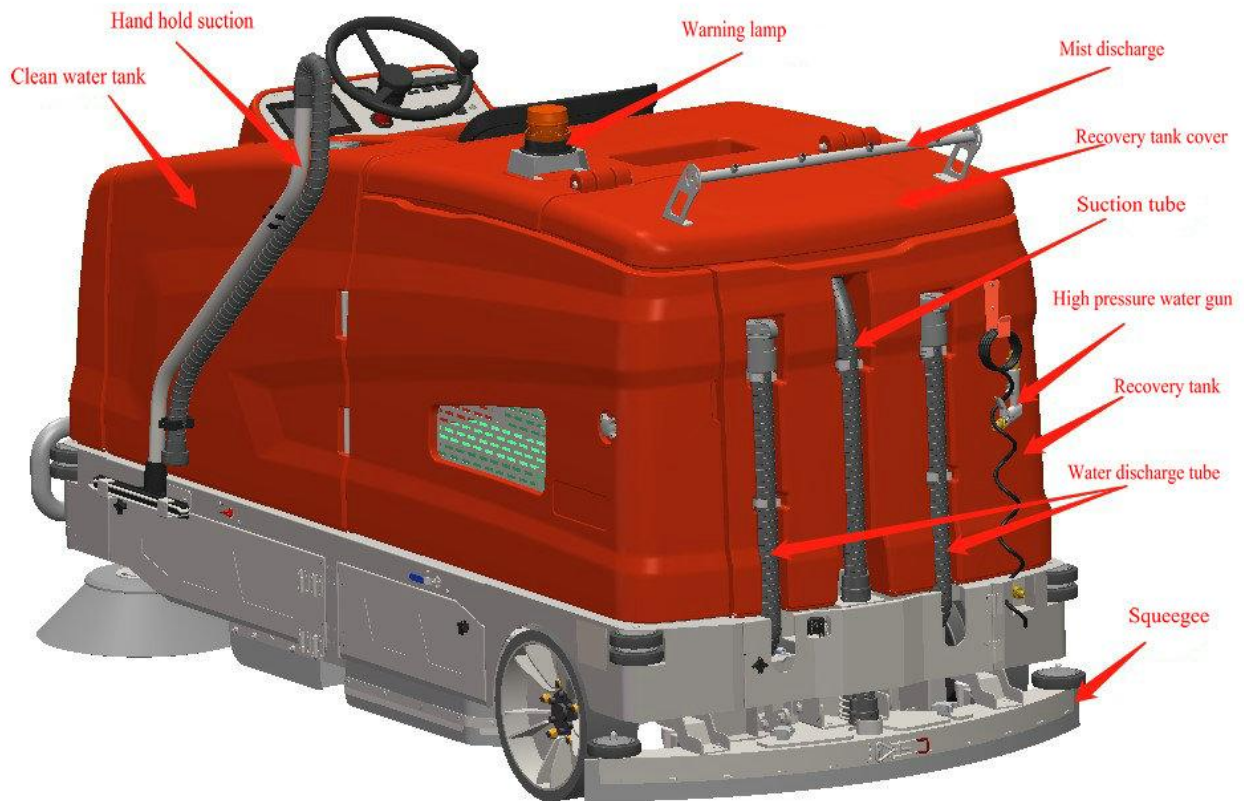


钥匙开关

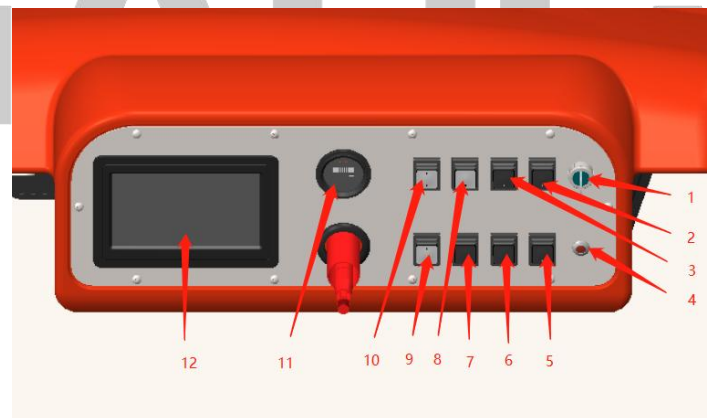
Key switch

### 5.3、Recovery tank

Charging port



#### 5.4、Steering wheel console

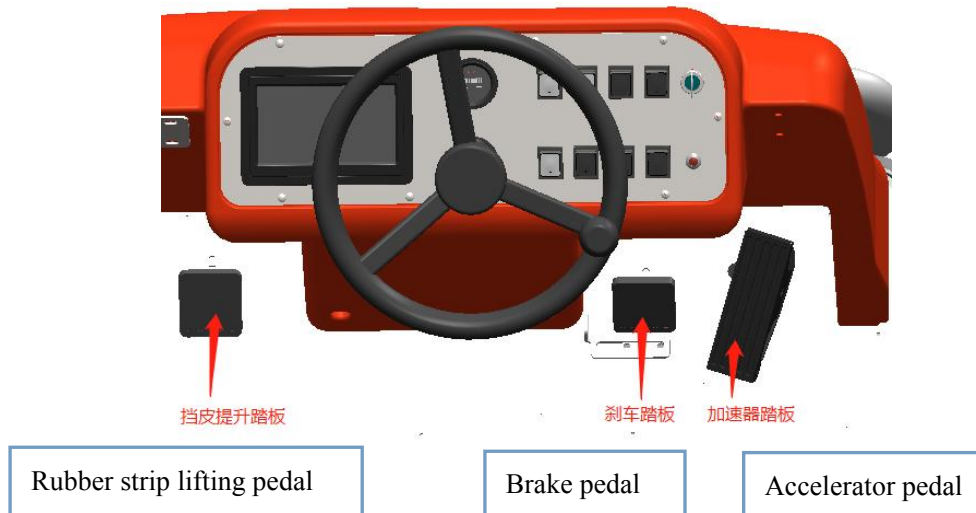


1. Keyswitch:
2. Main brush: Press the main brush to lower and start, and then press the main brush to raise and stop working.
3. Side brush: Press the edge brush to lower and start, and then press the edge brush to raise and stop working.
4. Sewage level light: If the light is not on, it indicates that the sewage tank is not yet full, and if the light is on, it indicates that the sewage tank is full.
5. Brush disc: Press the brush disc to lower and start, and then press the brush disc to raise and stop working.
6. Water absorption: Press the suction lever to lower and work, and then press the suction lever to raise and stop working.
7. Gear: Press the forward gear of the vehicle first, and then press the reverse gear of

the vehicle.

8. Dust vibration: Start by pressing the dust vibration button first, and stop by pressing the dust vibration button afterwards
9. Horn: Push on horn.
10. Watering: Press to start working, then press to stop working.
11. Electricity meter: Indicates the current available electricity level.
12. Reverse image: automatically displayed when reversing.

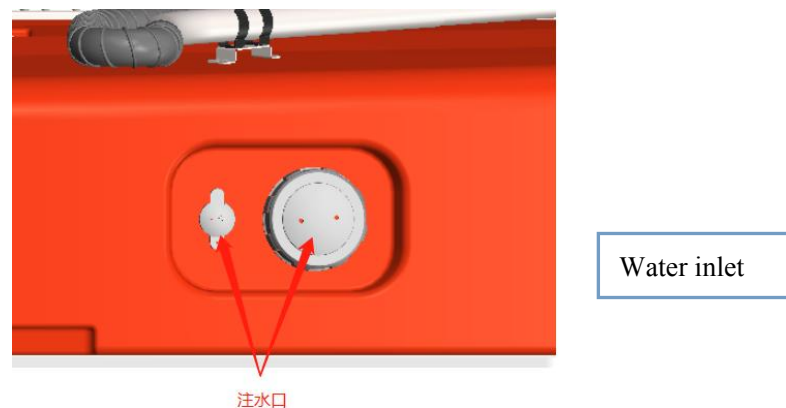
### 5.5、Pedal



### 6.1、Preparation/safety inspection before startup

**!** look out! Check whether the brush disc is installed in place, whether the suction cup is installed and fixed, and whether the sewage tank cover is in the closed position. If the machine is transported and all components are checked for any movement during transportation.

### 6.2、Add water



**!** look out! When adding water, pay attention to the amount of water and do not spill.  
(Please use tap water. The water source must not contain particles such as sediment)

### 7.1、Driving mode

**!** Caution: Ensure that the brush disc and suction cup are in the raised position. Insert the key and turn to the ON position (to turn on the headlights, turn to the lighting position). Move the forward/backward switch forward to the forward gear, press the governor pedal, and the washing and sweeping machine can move forward.

## 7.2、 Scrubbing mode



Caution:

There is large solid waste on the ground that needs to be cleaned in advance;

Press the floor wash and suction buttons forward, and the brush tray and suction rake will automatically lower for operation;

After completing the homework, turn off the switch, and the brush and suction tray will automatically lift and stop running;

Move the forward/backward switch forward to the forward gear, press the accelerator pedal, and the floor washer can clean the ground;

If it is necessary to clean heavily polluted ground, special cleaning agents should be combined or the driving speed of the equipment should be reduced during operation;

If cleaning agents are used, special defoamers should be used together in the sewage tank;

Check the sewage in the sewage tank, drain it in a timely manner, and clean it after emptying the sewage tank at the end of each operation;

Through obstacles

Obstacle height within 5cm

It can be safely passed through. Raise the brush disc and suction before driving.

Obstacle height greater than 6cm

Only after introducing a section of inclined plane can it pass through.

## 7.3、 Sweeping mode



Caution: Press the main brush and edge brush buttons forward, and the main brush and edge brush will automatically lower for cleaning.

After the cleaning is completed, turn off the sweeping switch, and the main and side brushes will automatically lift and stop rotating.

Move the forward/backward switch forward to the forward gear, press the governor pedal, and the broom can clean the ground.

If it is necessary to clean large garbage (such as leaves, cigarette boxes, etc.), press the large garbage pedal and drive at low speed to the area that needs to be cleaned. The main brush can sweep the large garbage into the dust bin.

If the working environment is relatively poor, stop sweeping the floor and start the dust filter vibrator after a certain time interval (press and hold the dust filter button);

Check the amount of garbage in the garbage bin in a timely manner;

Through obstacles

Obstacle height within 5cm

It can be safely passed through. Step on the large garbage pedal and raise the main and side brushes before driving.

Obstacle height greater than 6cm

Only after introducing a section of inclined plane can it pass through.

## 7.4、 Discharge of sewage



Caution!



1. Release the pedal to stop the machine.
2. Pull out the rear drain pipe of the car.
3. Align the drain and pull out the drain pipe cover.
4. After the sewage is discharged, clean the inside of the sewage tank with a flushing gun.
5. After cleaning, cover the drain pipe cover and snap the pipe back into the buckle.

### 7.5、 Close the machine



Caution: After completing work, before leaving the machine, please perform the following actions:

1. Press the stop button to raise the brush disc and suction;
2. Empty and clean the sewage tank;
3. Remove the key from the power switch.

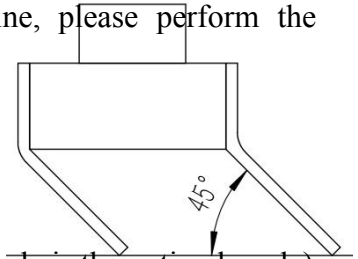
### 8.1、 Check/adjust additional equipment

Check the angle between the rubber and the ground after suction (45 ° angle is the optimal angle)

1. Check the angle between the film and the ground after suction, and the process is as follows:

- Use the machine on level ground.
- Press the suction button to lower the suction bar to the ground.
- The operator slowly pushes the equipment forward.
- Visually inspect the pressure angle between the rear rubber and the ground.

When the rubber is too worn and cannot be adjusted, replace it according to the instructions in the next paragraph.



### Caution!

If the angle between the film and the ground after suction is not around 45 °, the drying effect of the machine will be affected, and the spare parts will become hot, thereby reducing the service life of the machine. Please be careful when performing the aforementioned checks and only use the machine under the conditions mentioned above.

### 9.1、 Dragging vehicles



**look out!** When the machine is turned off or malfunctioning, it is necessary to push/drag the machine to ensure that the speed is not greater than 5km/h.

### 10、 Storage



### Caution!

- ※ Do not store cans containing liquids on the machine.
- ※ The machine should be stored between 0 °C and 40 °C.
- ※ When using the machine, the temperature should be between 0 °C and 40 °C. If it is necessary to use in an environment between 0 °C and -20 °C, consult the supplier before use.
- ※ When using or storing the machine, the humidity should be between 30% and 95%.
- ※ Do not store or use the machine in strong sunlight, heavy rain, or bad weather.

### 11、 Maintenance

### 11.1、 General description



**Attention:** To perform maintenance operations, the machine must be stopped (remove the start switch key), and if necessary, the battery must be removed. Therefore, please carefully read the safety section of the manual.

### 11.2、 Maintenance cycle



**Attention:** After the first use (8 hours), it is necessary to check:

1. Whether the connection and fastening parts have been properly tightened.
2. Check if visible parts are intact and undamaged.

### 11.3、 Maintenance tasks



**Attention:** To perform maintenance operations, the machine must be stopped (remove the start switch key), and if necessary, the battery must be removed. Therefore, please carefully read the safety section of the manual.

### 11.4、 Maintenance cycle table

Maintenance operation	Delivery time	Every 10 hours	Every 50 hours	Every 100 hours	Every 200 hours	Every 400 hours
Inspection of height adjustment of side brush and main brush						
Cleaning and complete inspection of garbage filter						
Are the main and side brushes, brush discs, and suction brushes wired and wrapped with silk						
Check the height and operation of the brush disc skirt edge						
Filter element and filter inspection						
Visual inspection of the main brush drive belt						
Screw and nut tightening inspection						
Regularly check the brake tightness						
Check the wear of the main, side brushes, brush discs, and						
Replacing the main brush drive belt						
Drive chain maintenance, lubricating oil, regular inspection of the tightness of the drive chain						

Inspection and replacement of main brush and drive system motor carbon brush						
The charger should be stored in a safe, ventilated and dry place						

## 11.5、 Replacement of consumable parts

### Brush disc replacement



**Caution!**

When replacing the brush disc, it is best to wear gloves as it may be cut by fur.  
step:

1. Before replacing the brush tray, turn off the floor wash switch button, lift the brush tray, and turn off the power switch;
2. As shown in Figure 1, loosen the plastic handle nut and open the side door; As shown in Figure 2, loosen the plastic handle nut and open the side shield;

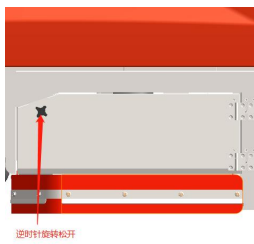


图 1

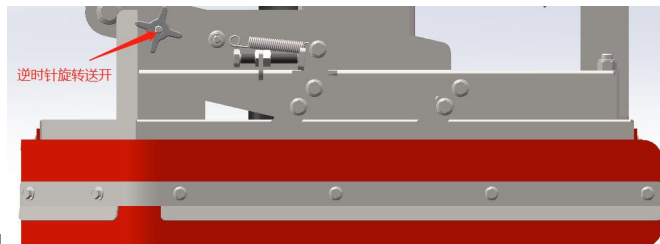
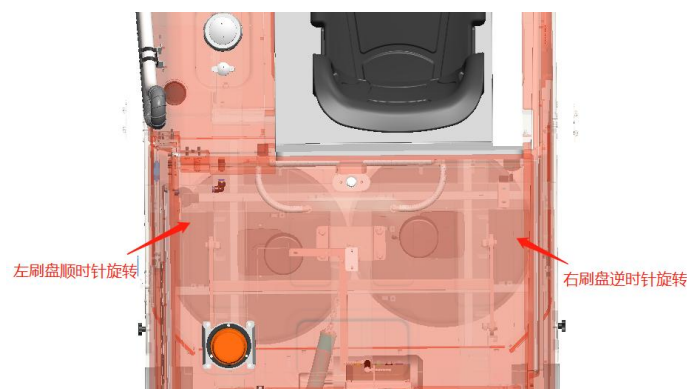


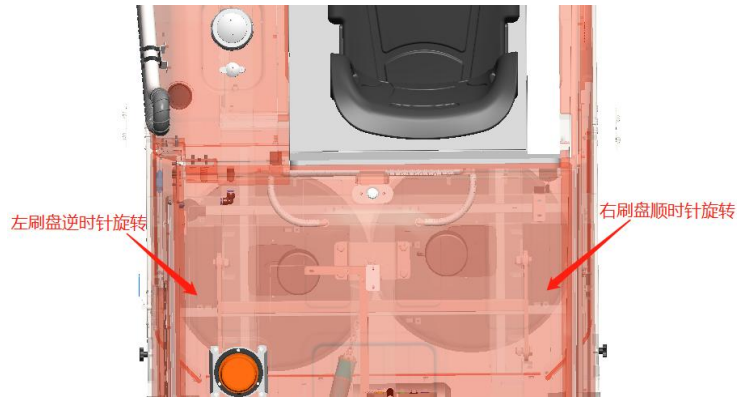
图 2

3. As shown in the following figure, when disassembling the left brush disc, rotate the brush disc clockwise (from top to bottom). When disassembling the right brush disc, rotate the brush disc counterclockwise (from top to bottom) and apply force instantly until the brush disc separates from the aluminum chuck.



4. During installation, as shown in the figure below, the direction is opposite to that during disassembly. The left brush disc should be rotated counterclockwise (viewed from top to bottom), while the right brush disc should be rotated clockwise (viewed from top to bottom), and the force should be applied instantly until the brush disc is tightly clamped with the aluminum chuck.

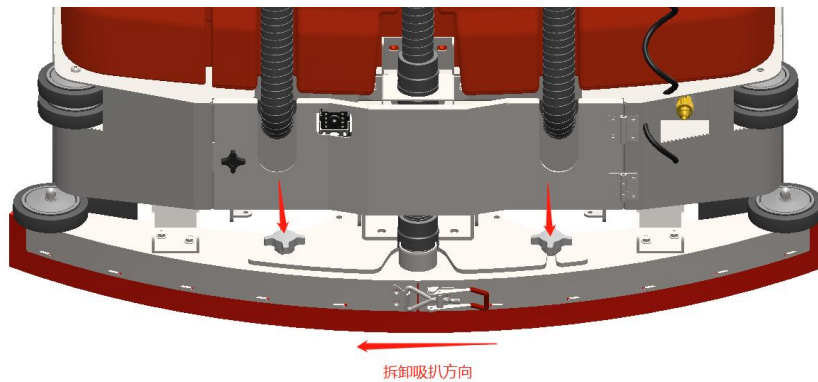




## Replacement of suction rubber

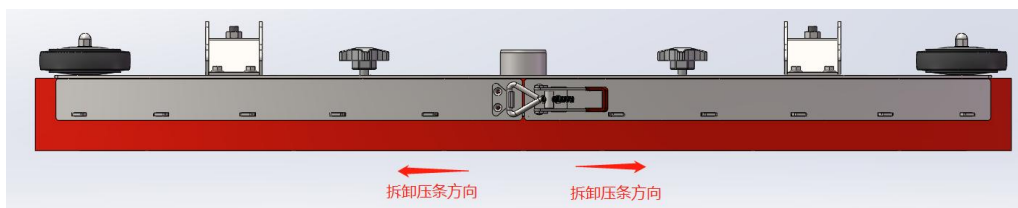
### 1. Removal and installation of suction drum

As shown in the following figure, loosen the left and right plastic handle screws, drag the suction lever to the left and exit the hole slot.

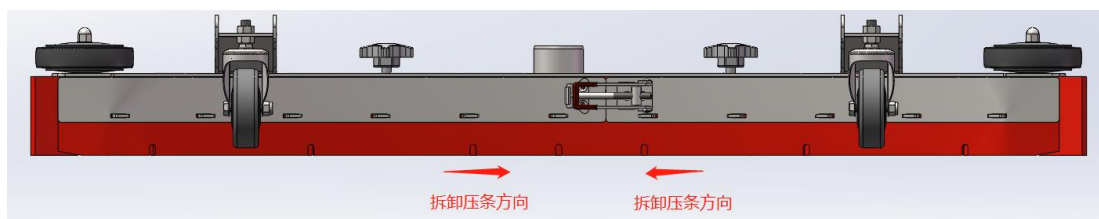


### 2. Disassembly and replacement of front and rear rubber

● Remove the front rubber as shown in the figure below. Release the middle buckle of the rear pressure strip, and use force on both sides of the pressure strip to remove the hook and then remove the front rubber.



● After unloading the rubber, as shown in the figure below, release the middle buckle of the rear pressure strip, and forcefully remove the hook from both sides of the pressure strip, then remove the rear rubber.



● When installing the rubber, please ensure that the lower end of the rubber is on a flat surface

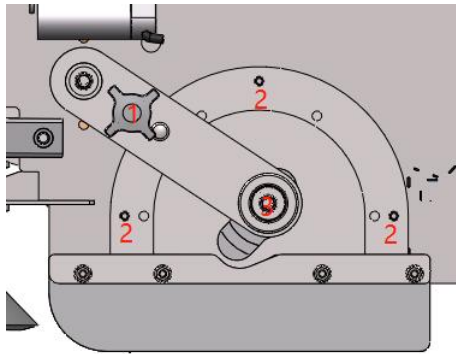
without height difference, and then lock the pressure strip to achieve the best drying effect during use.

### Main brush exchange

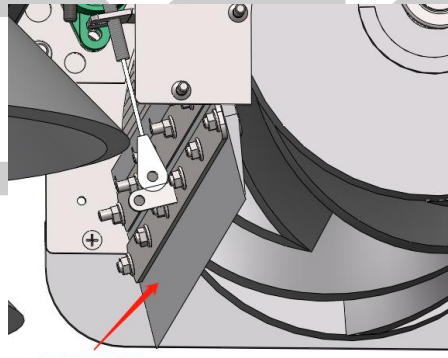
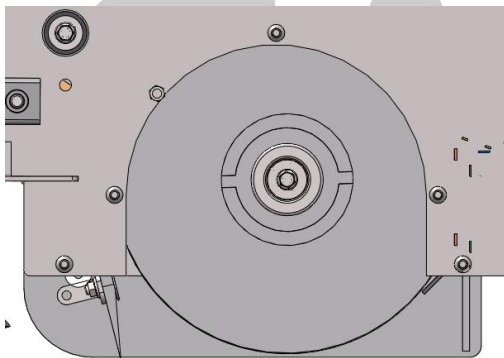


When replacing the main brush, it is best to wear gloves as it may be cut by fur.

1. Unscrew the star nut marked "1", pull out the main brush support rod of the link, and then unscrew the screw marked "2" to remove the left baffle. During installation, measure the height difference between screw 3 and the ground within 2mm. If there is any difference, adjust screw 1



2. After disassembly, remove the main brush.



3. The front bumper adjustment should tilt back 15 °

4. Please note that during installation, the main brush must be lowered and installed along the arrow direction, pointing towards the front of the vehicle.

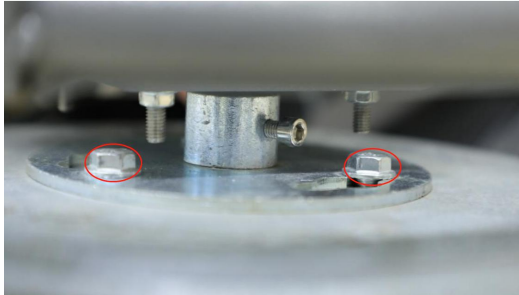


**Attention! !** The running direction of the main brush is shown in the figure, and the main brush should be installed correctly as shown in the figure. Check the pressure between the main

brush and the ground as described in the relevant chapters.

Side brush replacement

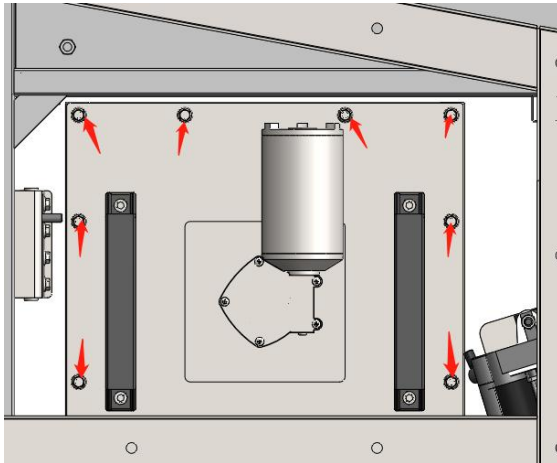
### 1、Removal and replacement of side brushes



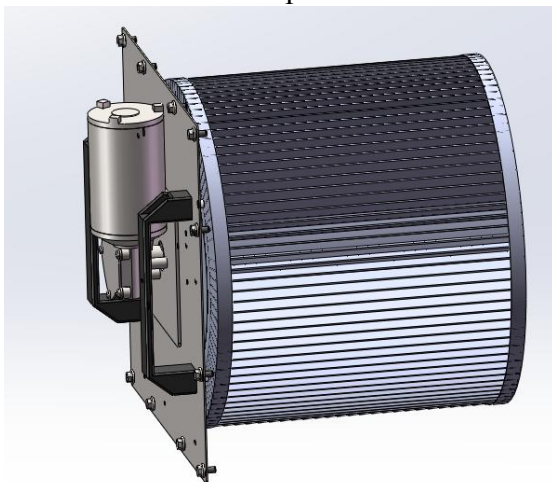
#Loosen the three screws inside the red circle in sequence and turn them to the left until the circular opening comes out to remove the edge brush.

#When installing, pay attention to rotating in the opposite direction and then tightening the screws.

#Cleaning and integrity inspection of garbage filters



#Remove the red arrow marked screws one by one, and then forcefully drag outward to remove the filter element component.

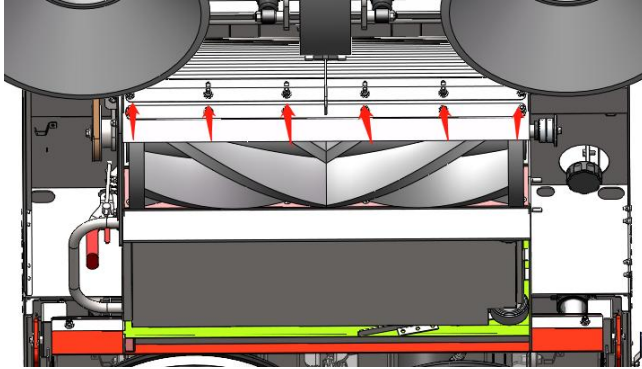


- Please clean the dust without damaging the filter cotton body
- When replacing the filter element, it is necessary to apply lubricating grease to the oil seal of the filter element

**Front lifting cover replacement**

#When replacing the front lifting cover, the main brush must be removed and the trash can must be pulled out.

#When replacing the front lifting gear, the brake teeth must be clamped to ensure that the vehicle does not slide.



#Dismantle the red arrow marked screws in sequence, remove the waste cover and replace it.

**12、 Troubleshooting**

Issue		Fault analysis		Solution
No power display on the dashboard when turning on the power switch		Air switch trip		Close
		Does the battery have voltage output		charge; Replace the battery (if not used for a long time, please charge it once every two months)
Abnormal machine traveling	Not traveling	Differential damage	The walking motor operates normally	Changing the gearbox gear
			Motor burnt out	Replace the motor
			Air switch trip	Close
			Loose wiring	Check wiring
			Damaged controller or throttle	Replace the controller or throttle
			The master switch is broken	Replace the master switch
	Only advance without retreat or only retreat without advance	Damaged main switch		Replace the master switch
		Damaged throttle		Replacing the throttle
	“Flying car”	Damaged throttle		Replacing the throttle
		Controller damage		Replacing the controller
Brush disc not working		The travel switch is damaged		Replace the travel switch
		Damaged electric push rod		Replace the electric push rod
		Damaged brush disc motor		Replce brush disc motor

	The 'floor wash' button is damaged	Replace the 'floor wash' button
	Air switch trip	Close air switch
Unable to suck clean	Rear rubber wear	Replace rear rubber
	Inadequate adjustment of suction angle	Adjust the suction angle in place
	The suction hook does not descend properly, and the steel wire rope is stuck	Check the cause of jamming and eliminate the fault
	Insufficient suction of the fan	Check for insufficient sealing and blockage of pipes with foreign objects
The ground cannot be cleaned thoroughly	The brush disc is severely worn	Replace the brush disc
	Stains are too stubborn	Combining specialized cleaning agents/reducing driving speed when passing through heavily stained areas and slowly passing through
	The ground is severely uneven	Attempt to combine specialized cleaning agents/slow down the driving speed when passing through heavily stained areas. If the above solution is not feasible, additional manual cleaning steps can be added if necessary, or the roller brush floor scrubber can be replaced
The suction rubber wears out too quickly	The suction lever is set too low	Adjust the universal wheel to achieve the desired height
	The ground is too rough	
High noise during disc brushing operation	The brush is wrapped with wire rope	remove debris
The brush disc does not rotate during operation	Brush disc not installed in place	Lift the brush disc and reinstall it
The suction motor does not work	Air switch trip	Close air switch
Leakage at the joint of the waterway system	Inadequate sealing	Reinstall the seal
	Damaged joint	Replace the joint
When the drive motor is working, it neither moves forward nor backward	Drive motor cable broken	Check wiring
	Damaged pedal adjuster	Repair Governor
	Control switch damaged	Replace new one
	Air switch trip	Close air switch
Bttery cannot be charged	Battery burned out	Replace battery
	Charger	Check the input current of the

		charger
	Loose battery terminals	Check and tighten the battery terminals
Battery discharge too fast	Insufficient charging time	Increase charging time
	Battery damage	Replace battery
The water gun does not produce water or the water volume is low	Check if the diaphragm pump is normal and if there are any blockages	Clean or replace the diaphragm pump
	Excessive impurities in the water filter	Remove the filter cup to remove impurities

### 13、Warranty Description

This product has a one-year warranty

Note: The following phenomena that occur during the warranty period are not considered quality issues for our company's products

1. Charger damage caused by improper operation in violation of regulations;
2. Opening the charger without authorization and permission from our company may cause damage to the charger.
3. Damage to the machine caused by improper handling, such as knocking, collision, or falling;
4. Charger damage caused by water ingress or moisture;
5. The charger is damaged due to the instantaneous high voltage of the power grid (causing more than 10% of the national regulations);
6. Damage caused by severe pulling of input and output cables;
7. The battery cannot be fully charged due to unauthorized extension of input and output cables;

Note: Under the following usage conditions, there is no warranty

1. Mechanical damage or malfunction caused by failure to use, maintain, or maintain according to the maintenance manual.
2. Significant damage to the mechanical appearance and structure and other faults caused by improper human operation.
3. Cracking or modification not approved by the original factory.
4. Damage caused by weather or force majeure.
5. Consumable parts (brush discs/suction rubber, etc.).
6. Over 1 year of warranty or over 1500 hours of use.