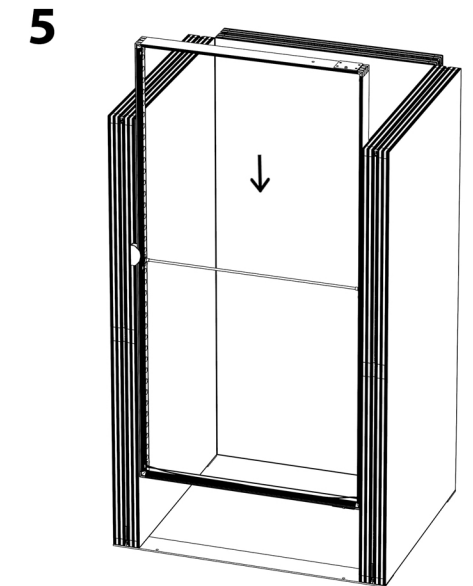
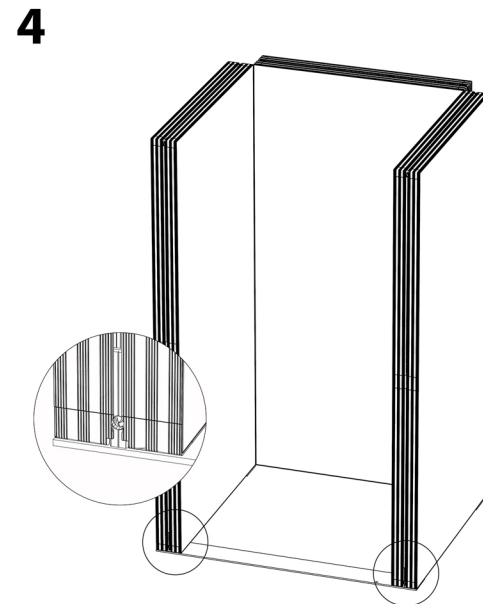
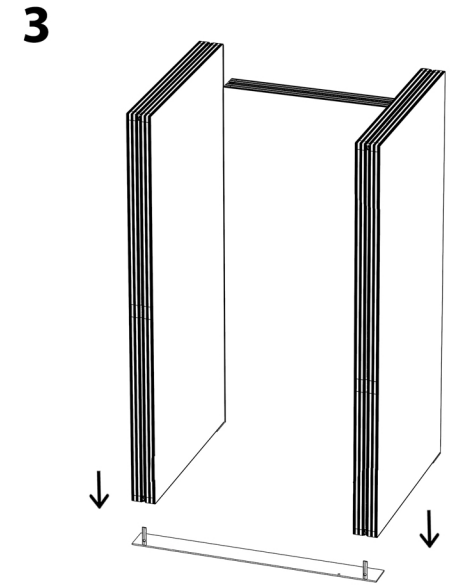
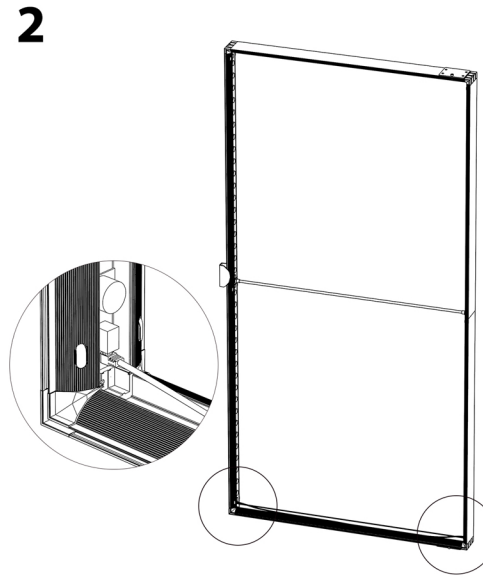
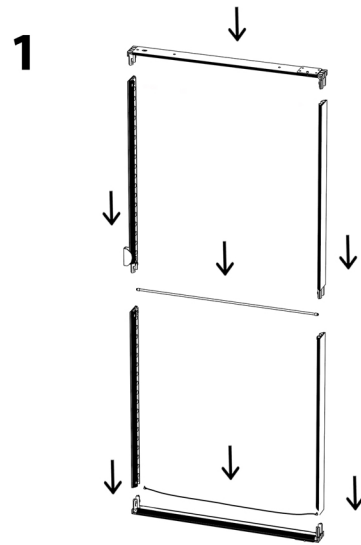
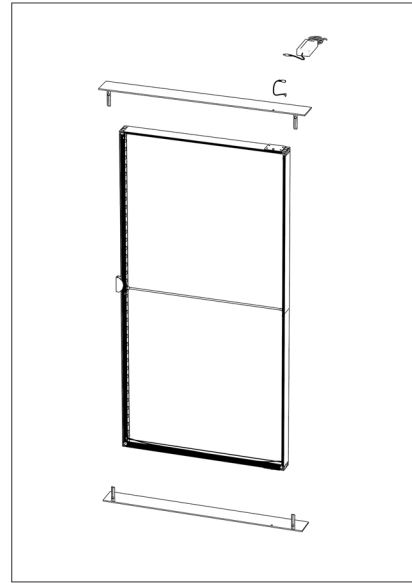
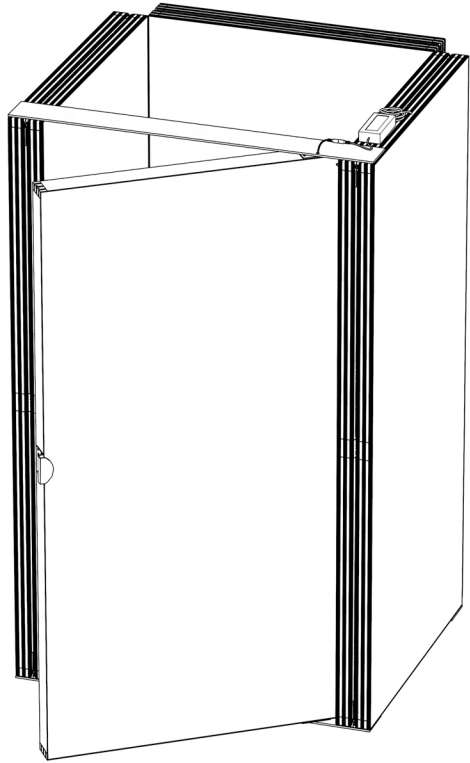
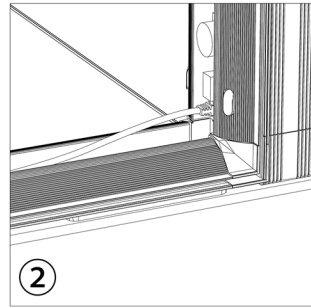
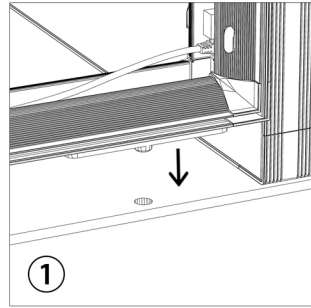
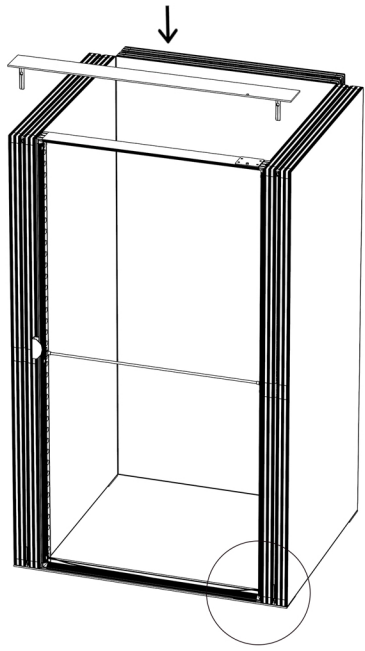


# CUPBOARD (Magnetic suction type)

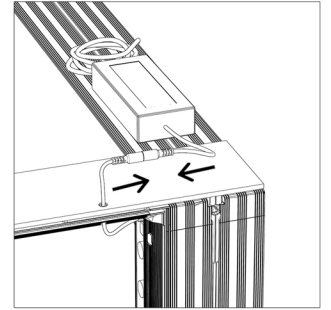
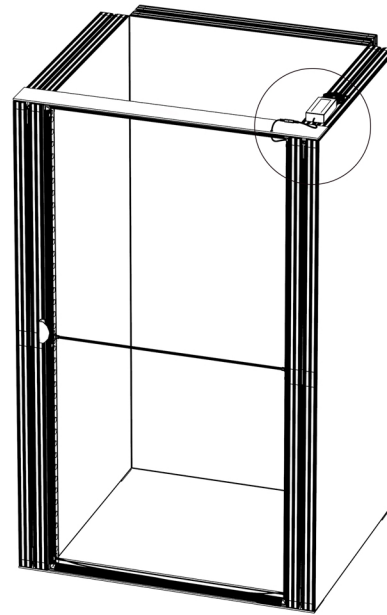


SIZE:  
850(1000) X 2000(2500)

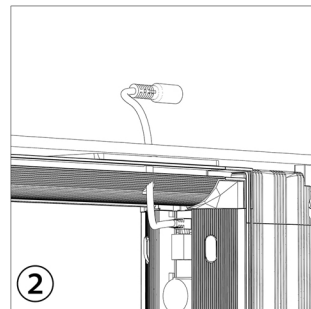
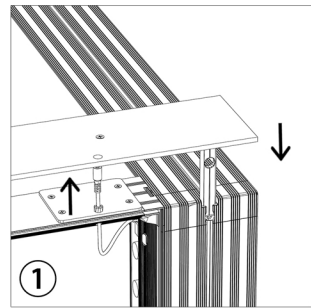
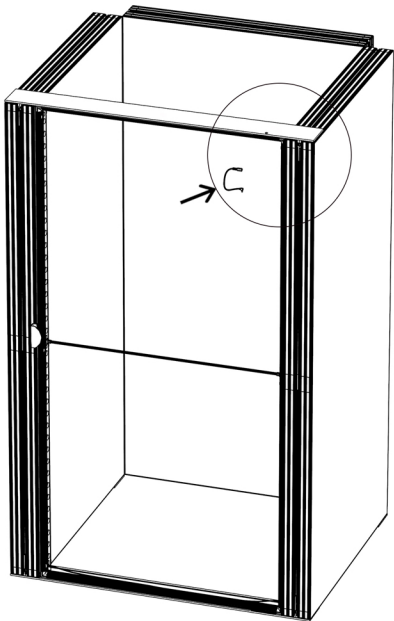
6



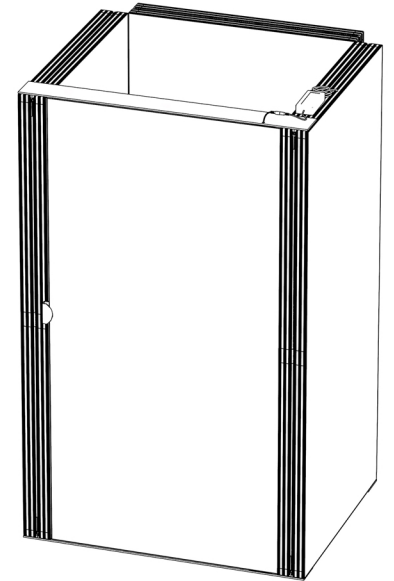
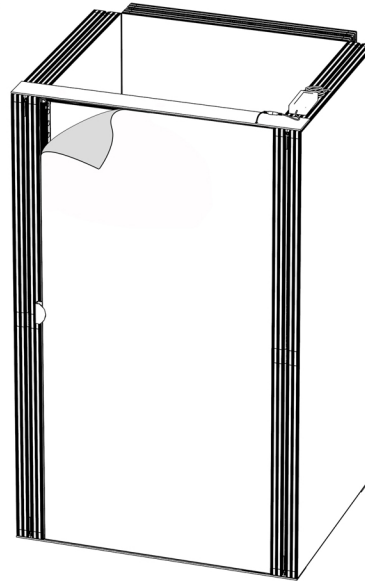
8



7

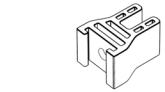
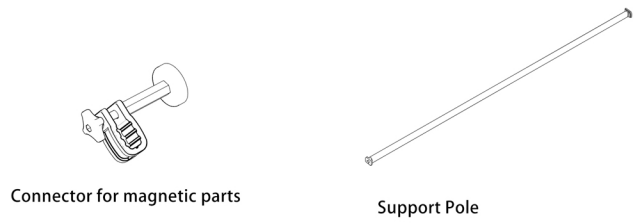


9

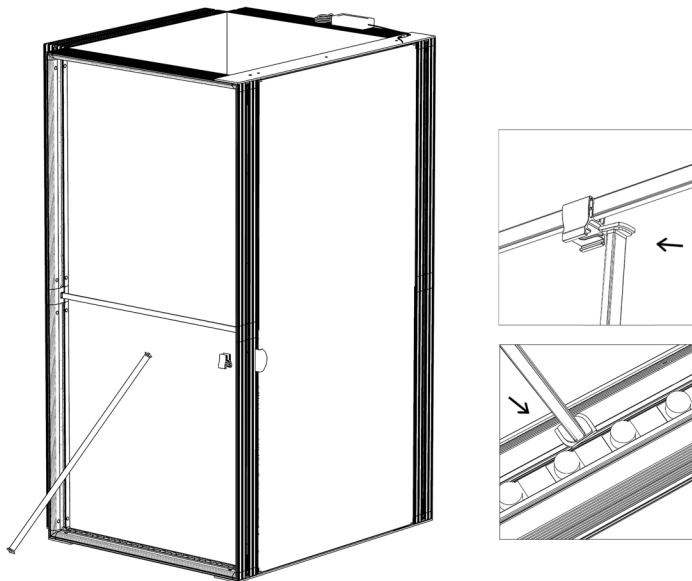


3

4

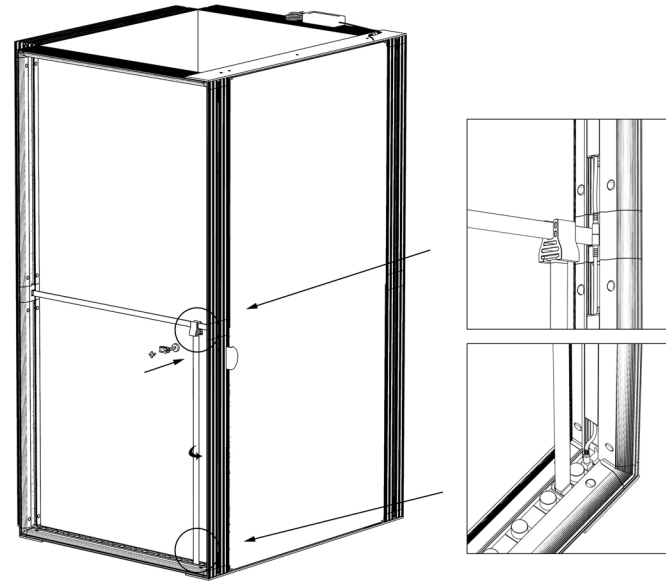


10

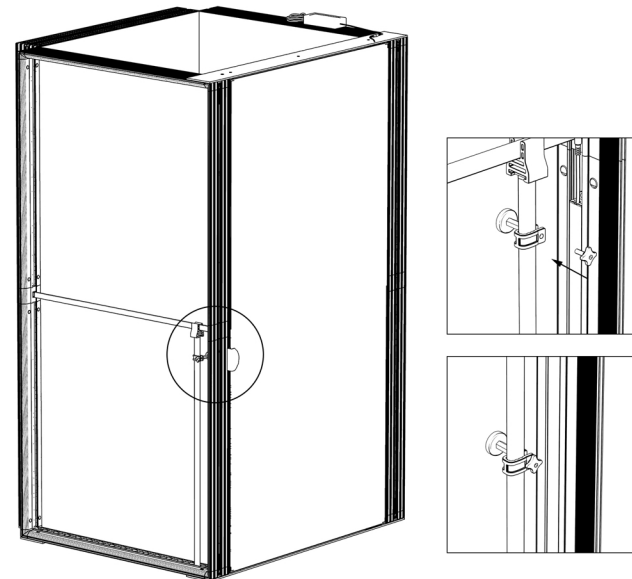


5

11

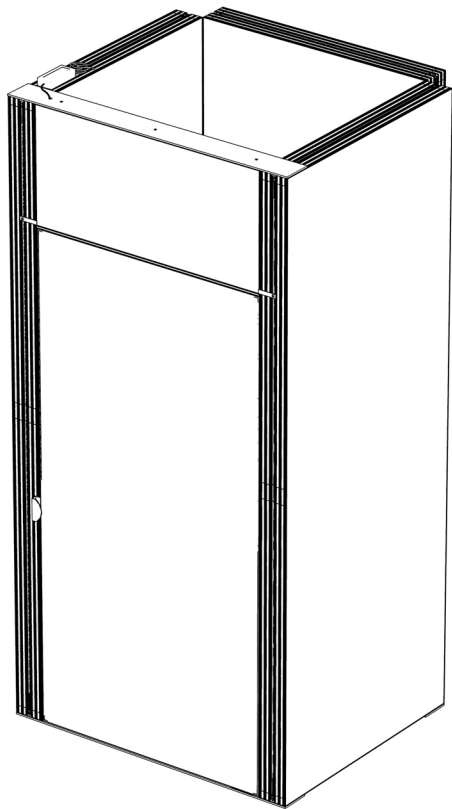


12

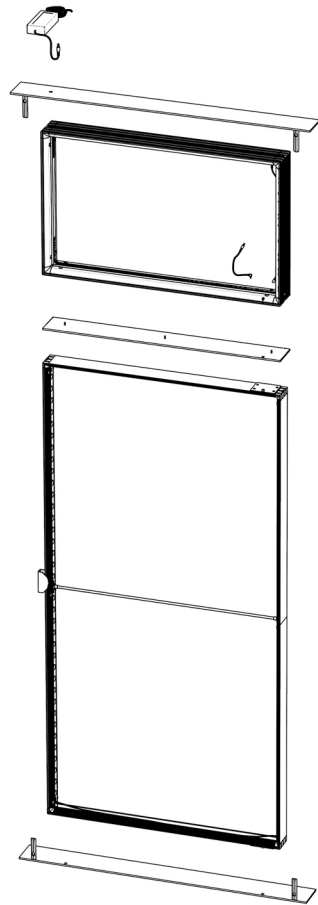


6

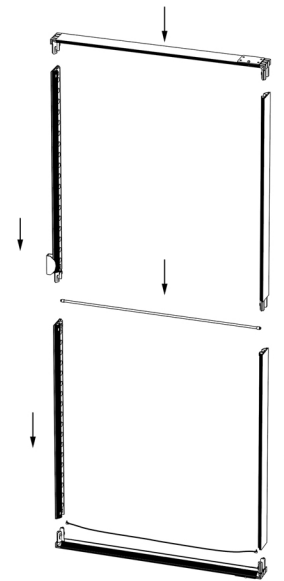
# CUPBOARD(Magnetic suction type)



SIZE:  
850(1000) X 2500(3000)



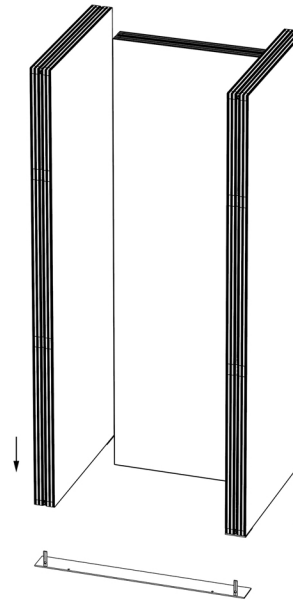
1



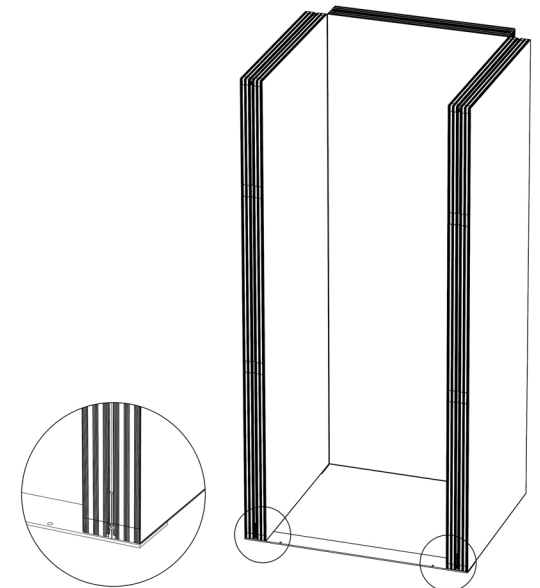
2



3



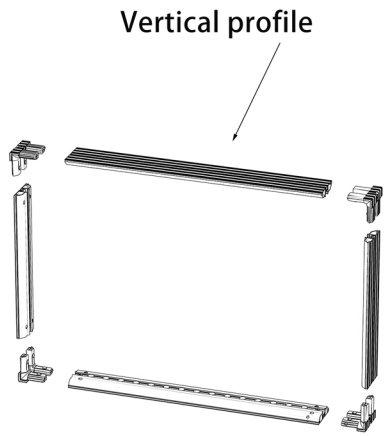
4



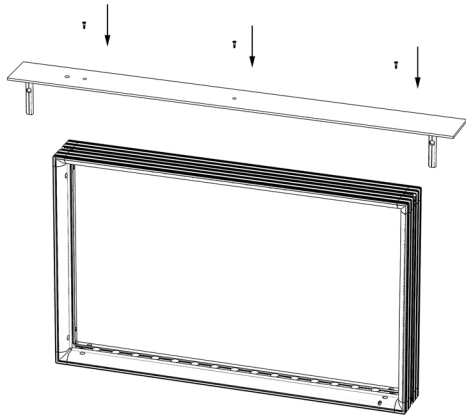
7

8

3

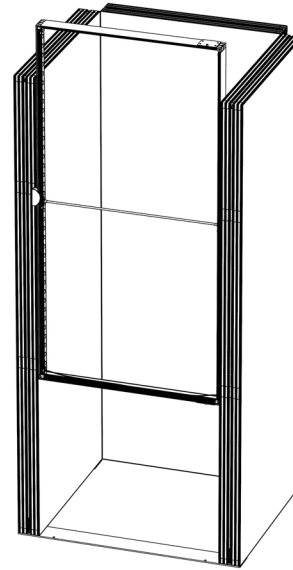


4

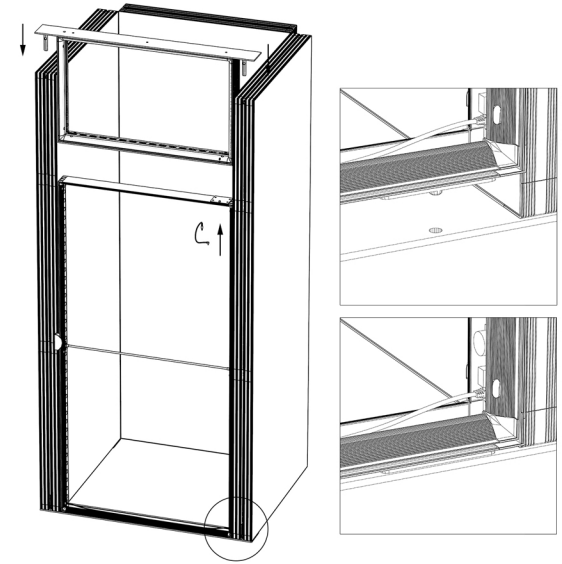


Mount the upper plate and secure with screws

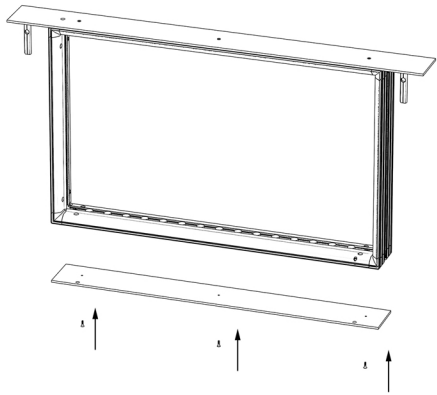
7



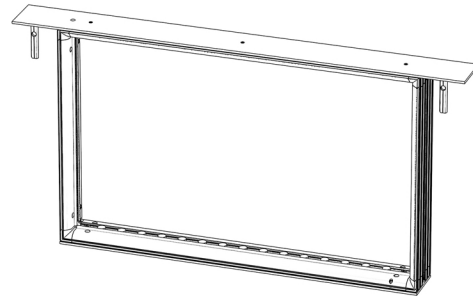
8



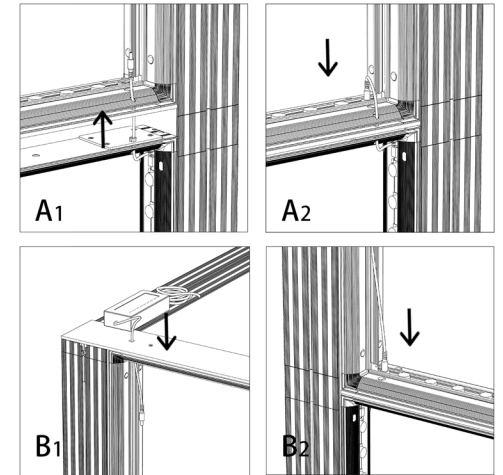
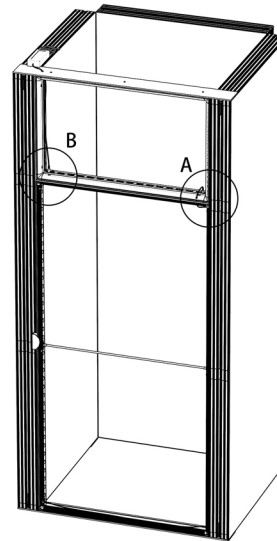
5



6



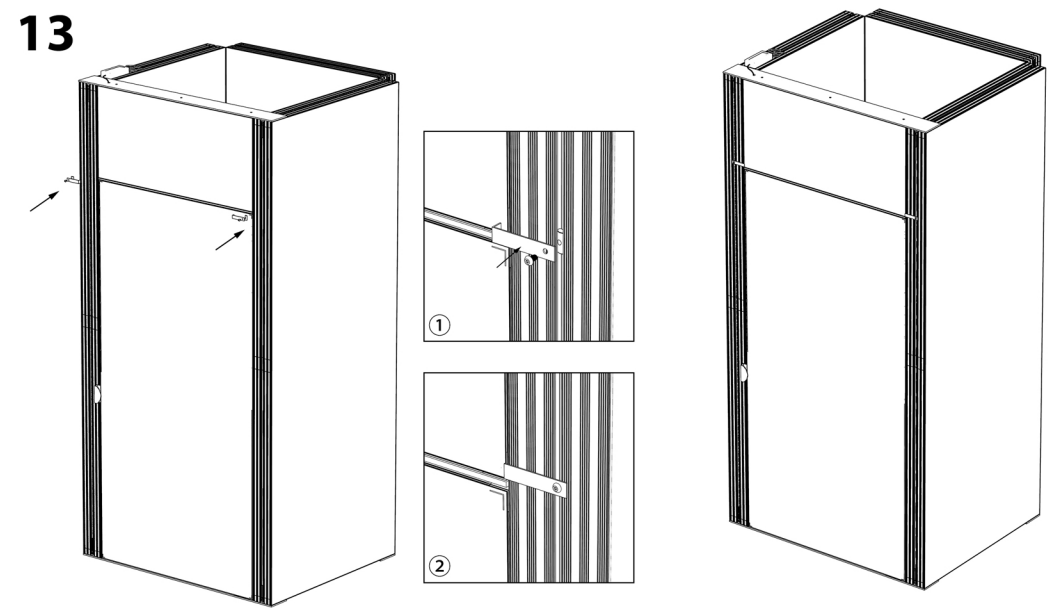
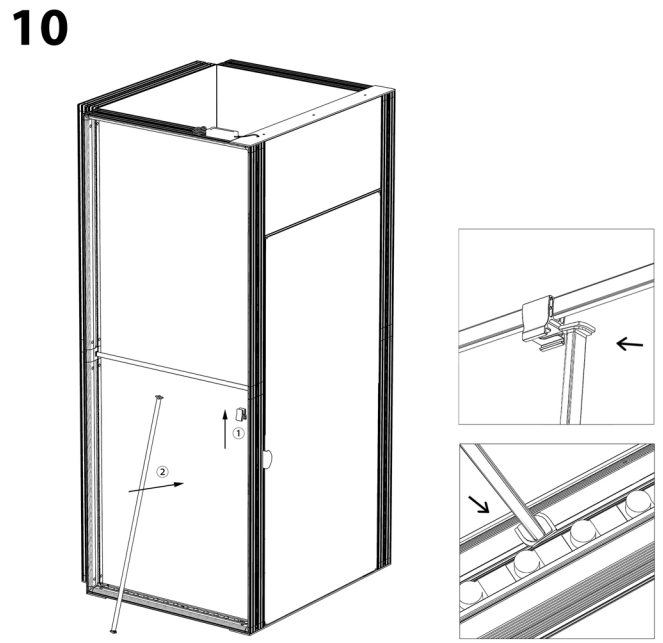
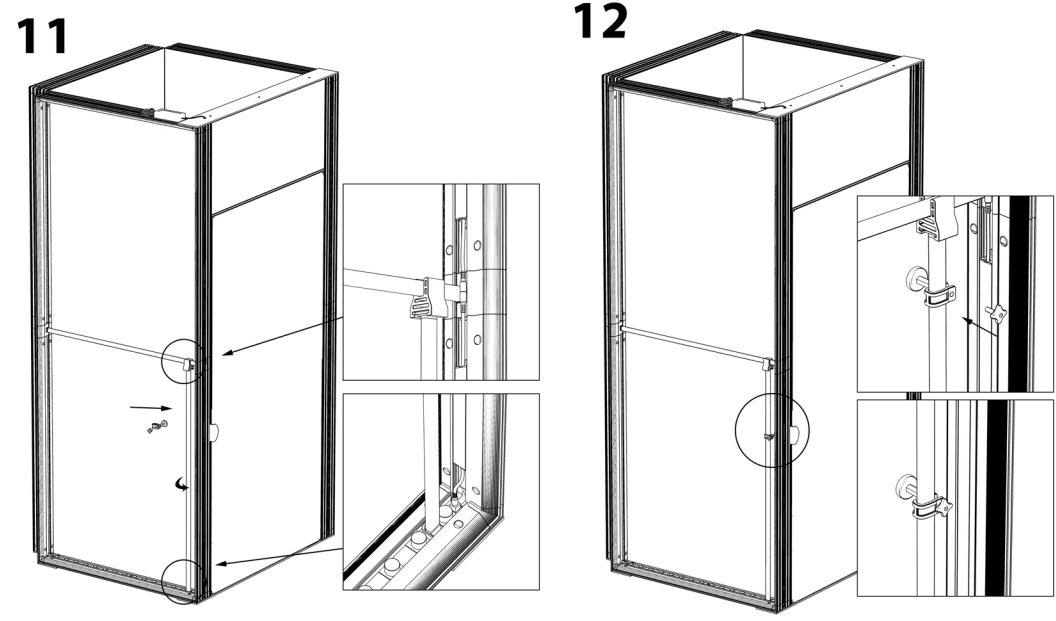
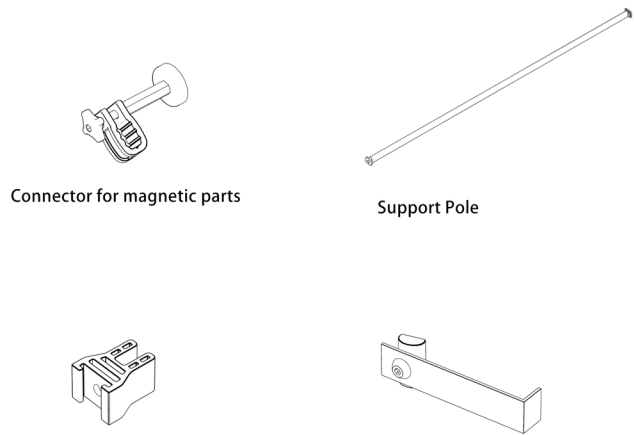
9



Install the lower plate and secure with screws

9

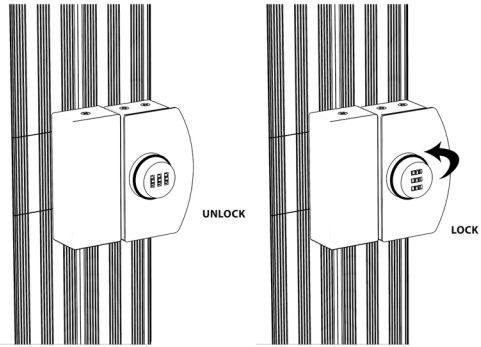
10



**11**

**12**

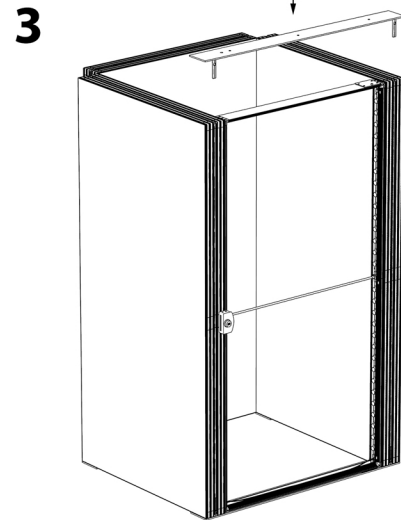
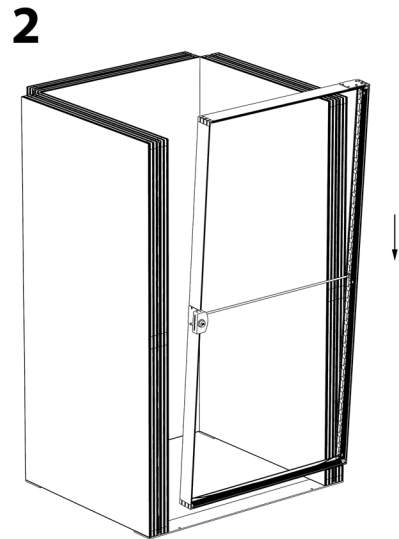
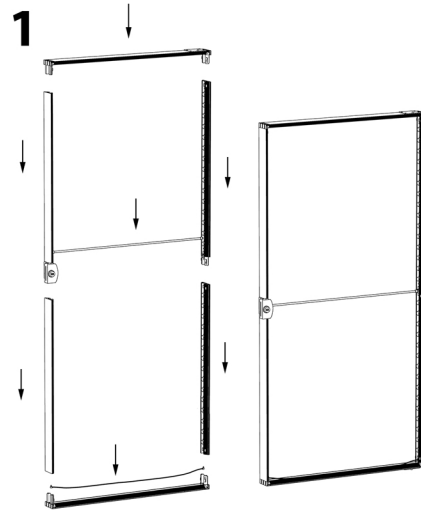
# CUPBOARD (Password lock)



THE INITIAL PASSWORD IS 0-0-0-0

## HOW TO SET A PASSWORD:

Set the password in the unlocked state and rotate the handle to complete the password setting



**13**

