

Thank you for having our blender. This user manual was made for your safety operation. Please read the manual carefully before using, and keep it where easily accessible.

## Professional Sound cover Blender



### CONTENTS

◎ Important Safeguards .....	02
◎ Terms and Parts / Control Panel .....	03 ~ 05
◎ Care and Cleaning .....	06

### IMPORTANT SAFEGUARDS

All users of this appliance must read and understand these safety precautions before operating to avoid personal injury and damage to the appliance.

**Warning:** To avoid the risk of serious injury when using your blender, basic safety precautions should be followed, including following.

- Not intended for use by or near children or persons with reduced physical, sensory or mental capabilities or lack of experience and knowledge. Close supervision is necessary when any appliance is used by or near children or incapacitated persons.
- To protect against the risk of electrical shock, do not put the blender base in water or other liquid.
- Unplug from outlet when not in use, before putting on or taking off parts, and before cleaning.
- Avoid contacting moving parts.
- Do not operate any appliance with a damaged cord or plug or after the appliance malfunctions, or is dropped or damaged in any manner.
- Alteration or modification of any part of the blender base or container, including the use of any part or parts that are not genuine authorized parts, may cause fire, electric shock, or injury.
- The use of attachments not expressly automatized by seller for use with this blender, including canning jars, may cause fire, electric shock, or injury
- Keep hands and utensils out of container while blending to reduce the risk of severe injury to persons or damage to the blender. A rubber scraper or spatula may be used, but only when the blender is not running.
- The tamper provided must be used only when the main part of the lid is in place.
- Blades are sharp. Handle or remove blade and blade assembly from the container with extreme care to avoid injury. To reduce the risk of injury, never place a blade assembly on the motor base unless assembled to the container.
- Do not leave foreign objects, such as spoons, forks, knives or the lid plug, in the container as this will damage the blades and other components when starting the machine and may cause injury..
- Never attempt to operate with damaged blades
- When blending hot liquids or ingredients, use caution; spray or escaping steam may cause scalding and burns.
- Do not fill container to the maximum capacity.

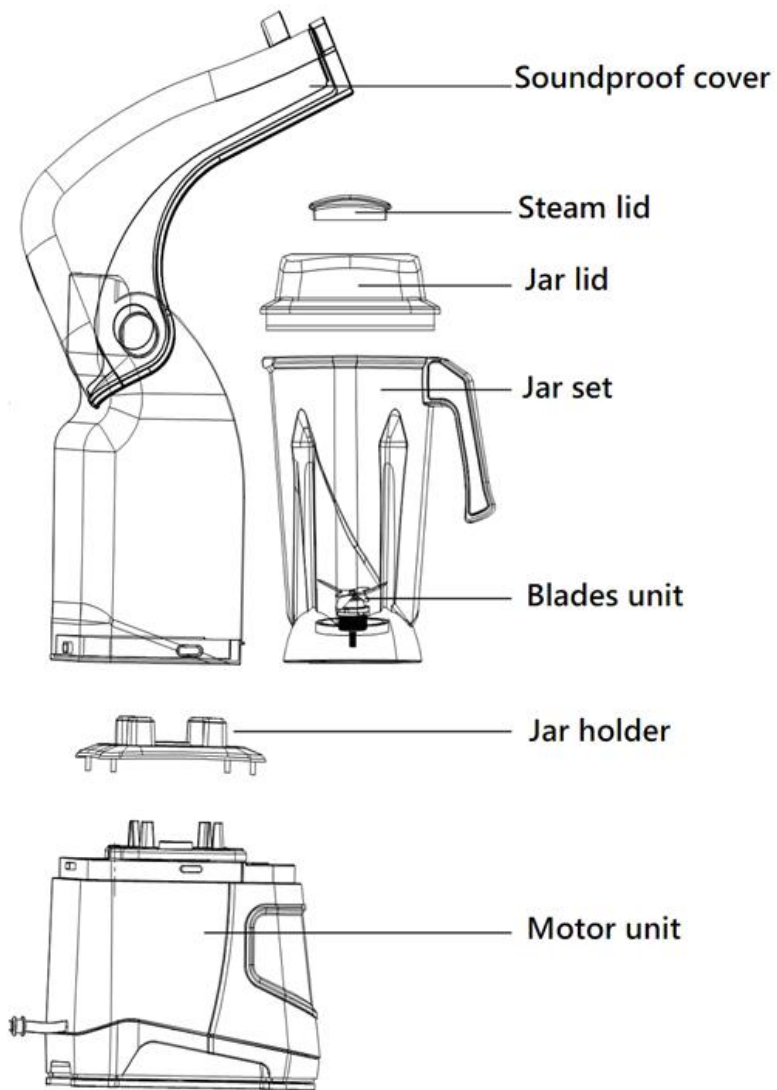
### **Special Safety Instructions**

- The cutting blades in the container can cause severe injury. Do not reach into the container!
- Moving parts will become hot with extended use. Don't touch the moving parts. Risk of burns!

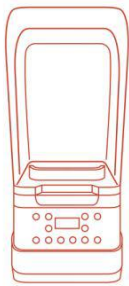
### **Preparations before using for the first time**

- Check to make sure the appliance is undamaged. In case of any damage, contact your supplier immediately and do NOT use the appliance.
- Remove all the packing material.
- Clean the appliance with lukewarm water and a soft cloth.
- Place the appliance on a level and steady surface.

### **DIAGRAM**



### Product Consist



Body x 1

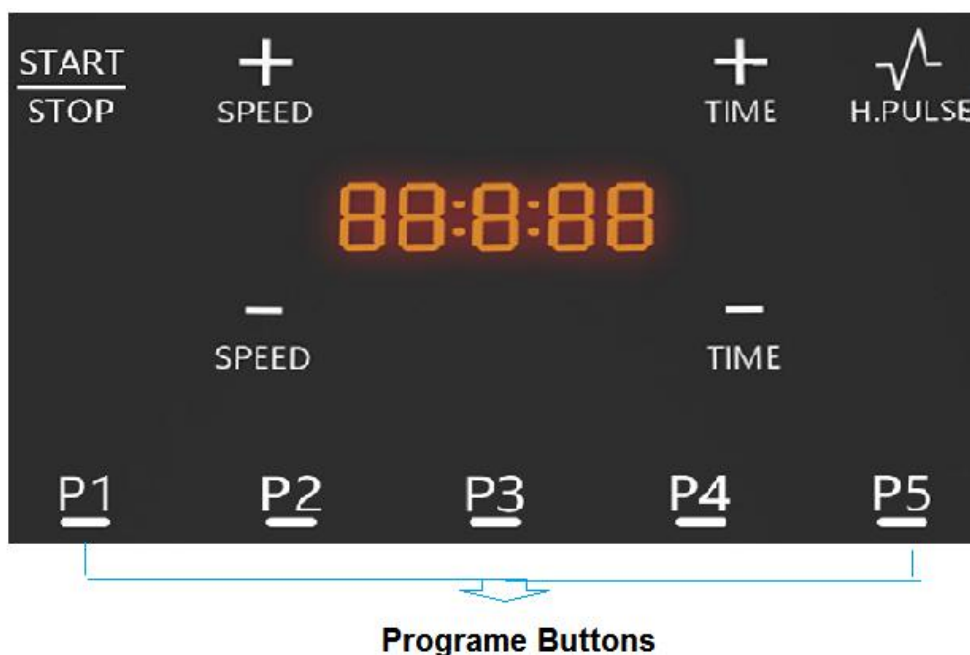


1.5ltr Jar x 1

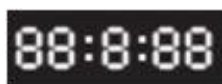


Tamper x 1

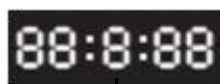
## CONTRO PANEL



### Display



Program Indicator P1~P5  
DIY Stage Indicator S1~S6



Running Speed 1~9  
DIY Setting Speed 1~9



Running Time 01~90 Sec  
DIY Setting Time 01~90 Sec

### Operation

- Plug in Blender.
- Check Display shown.
- Ready to use when Start/Stop button blinks.
- Open the sound cover and take out jar. Fill ingredients in the jar and close the lead. Then, put the jar back to blender.
- Close the sound cover and enter into the motor activation mode by touching blinking button.
- Choose desired program buttons or set time and speed and touching Start button.
- If you want instant mixing, press long Pulse button for desired time.

### Programs

This blender is designed to memorize the 5 programs by User's recipes  
Each program consists of 6 stages and each stage can be memorized Time and Speed .

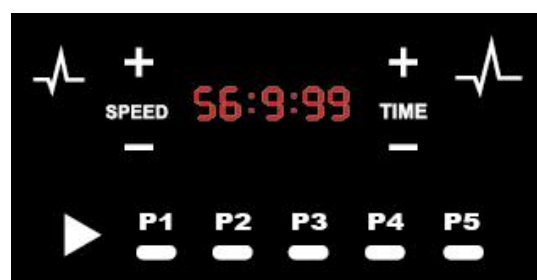
## Basic Program

Program	Time	Example to use
P1	18 Sec	Lower speed mixing
P2	14 Sec	Fresh juice, Slush, Smoothies etc.
P3	15 Sec	
P4	25 Sec	
P5	40 Sec	Sauce and other beverage

## PROGRAM SETTING



<Enter into Stage 1, Min Speed / Min time>



<Enter into Stage 6, Max speed / max time>

1. Long press the desired button (P1~P5) to set, DIY mode is entered with Beep sound and S1 stage displayed.
2. Set the Speed (1~9) and Time (1~90) desired,
3. Touching program button, then S2 stage displayed.
4. Set the speed and Time following Art.2 for Stage 2 to Stage 6.
5. Touching the setting program and it is memorized with Beep sound.

## Program Default Mode

This blender programs can be set Default mode by Factory setting

1. Long Press P1 and P2.
2. Programs will be defaulted with Beep sound.

## CARE AND CLEANING

To prepare your new machine for initial use, follow the steps under Normal Cleaning below.

### Normal Cleaning;

1. Fill the container half full with warm water and add a couple drops of liquid dish washing detergent to the container
2. Snap or push the complete 2-part lid into locked position.
3. Select speed low. Then machine on and slowly increase speed to Medium and high.
4. Run the machine on High speed for 30 to 60 seconds.
5. Turn off the machine, and rinse and drain the container

### **To Sanitize**

1. Follow Normal cleaning instructions above.
2. Fill the container half full with water and 1.5 teaspoons of liquid bleach.
3. Snap or push the complete 2-part lid into locked position.
4. Select speed low. Then machine on and slowly increase speed to Medium and high.
5. Run the machine on High speed for 30 to 60 seconds.
6. Turn off the machine, and allow mixture to stand in the container for an additional 90 seconds.
7. Pour bleach mixture out. Allow container to air dry.
8. Do not rinse after sanitizing.

### **Lid, Lid Plug and Tamper**

Separate the lid and lid plug. Wash the parts in warm soapy water. Rinse clean under running water, and dry it. Reassemble before use.

**Important:** To ensure continued and effective performance, do not put the container lid, lid plug or tamper in the dishwasher.

### **Motor Base**

1. Unplug the power cord.
2. Wash the outside surface with a damp cloth or sponge, which has been rinsed in a mild solution of liquid detergent and warm water. Do not place the motor base in water.
3. The centering pas can be removed for more thorough cleaning.
4. Thoroughly clean the switches so they work freely. They may become sticky from use. Use a moistened cotton swab to clean the grooves around the water-shielded switches.
5. Polish with a soft cloth.

### **WARRANTY**

1. If maintenance is required, you must return the machine to your local distributor.
  2. From the day of purchase, the warranty period is **12 months** under the correct use.
- ☞ All rubbers, bearing, bearing, blades & jug assemblies are consumable parts and are Not covered under the warranty.
3. After-sales service will not be provided if non-original parts have been used.
  4. During the warranty period, repairs will be charged under the following situations:
    - Any damage or problem due to improper operation or usage Not in accordance with the user manual.
    - Any damage or problem due to dis-assembly and repair by alternative parties.
    - Any damage or problem due to natural disasters.
    - Liquid damage to the internal components the unit.