



**SERVICE
PUBLICITY**

苏州鑫恒鑫电机有限公司

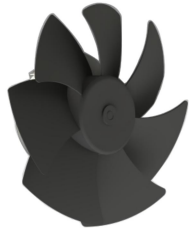
FAN MANUFACTURING EXPERT ■ ■ ■ ■

FANNOVA (SUZHOU) MOTOR TECHNOLOGY CO., LTD




EC-DC Series

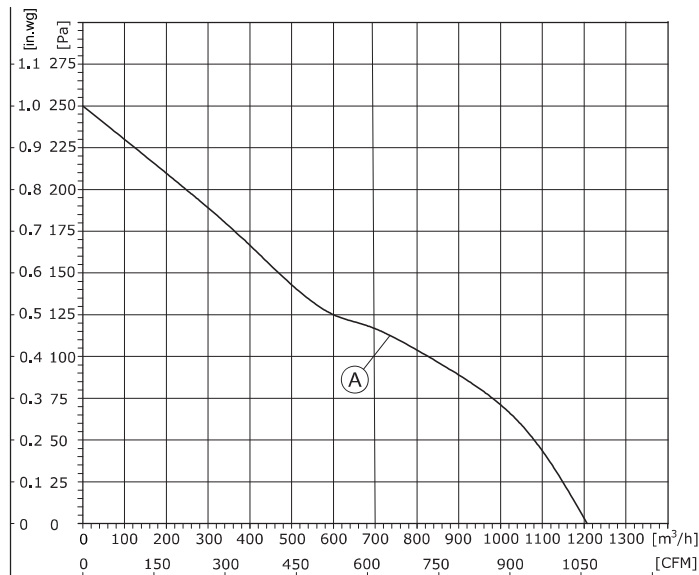
DC Axial Fans



DC Axial Fans D200

- 材料 **Material:** 冷轧钢板
风轮 **Impeller:** Cold-roll steel sheets
转子 **Rotor:** 电泳Electrophoresis
端盖 **Electronics housing:** 压铸铝Die-cast aluminium
- 叶片数量 **Number of blades:** 7
- 防护等级 **Degree of protection:** IP 44
- 绝缘等级 **Insulation class:** B
- 安装位置 **Installation position:** 任意Any
- 模式 **Mode:** 连续工作制 Continuous operation (S1)

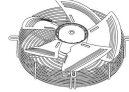
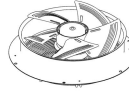
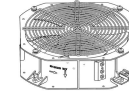
	电机 Motor	曲线 Curve	额定电压 Nominal Voltage	额定电压范围 Nominal Voltage Range	电流 Current	转速 Speed	输入功率 Max. input Power	噪音等级 Sound Pressure Level
Type			VDC	VDC	A	RPM	W	dB(A)
FG3G200-24GN-90	BLDC92	(A)	24	16~28	2.5	3000	60	62
FG3G200-48GN-90	BLDC92	(A)	48	36~57	1.25	3000	60	62



1. Air performance measured according to: ISO 5801, with DJ inlet ring without contact protection.
2. Intake-side sound level: LpA measured at 1 m distance from fan axis. The values given are only applicable under the specified measuring conditions and may differ depending on the installation conditions.

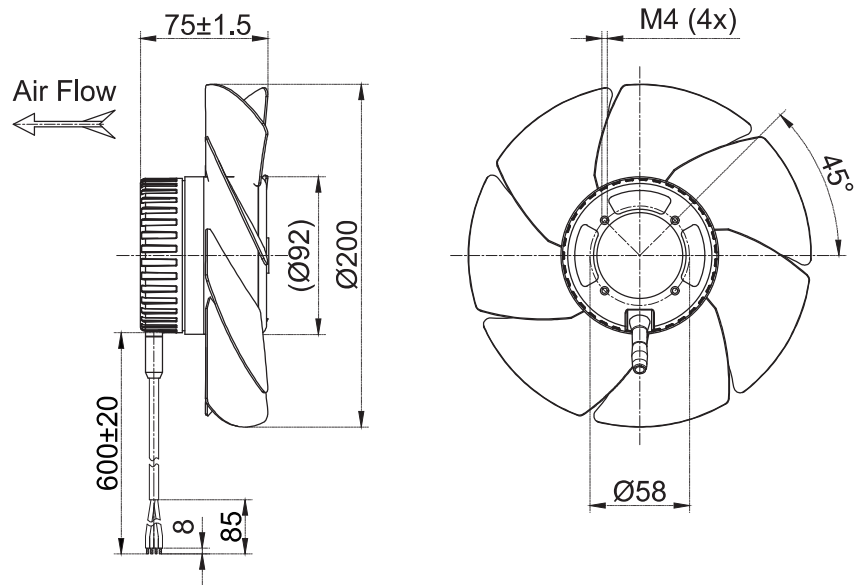
DC Axial Fans D200

- 旋转方向 **Direction of rotation:** 反转, 从转子方向Anti-clockwise, viewed toward rotor
- 技术特性 **Technical features:** 参见附图See connection diagram
- 泄漏电流 **Touch current:** < 3,5 mA
- 能效 **Efficiency:** ErP2015
- 标准/证书 **Valid For Approval/Standard:** CE,RoHS,ISO9001
环境温度 **Perm. ambient temp.:** -25°C~+60°C
- 安装 **Mounting:** 免维护滚珠轴承Maintenance-free ball bearings

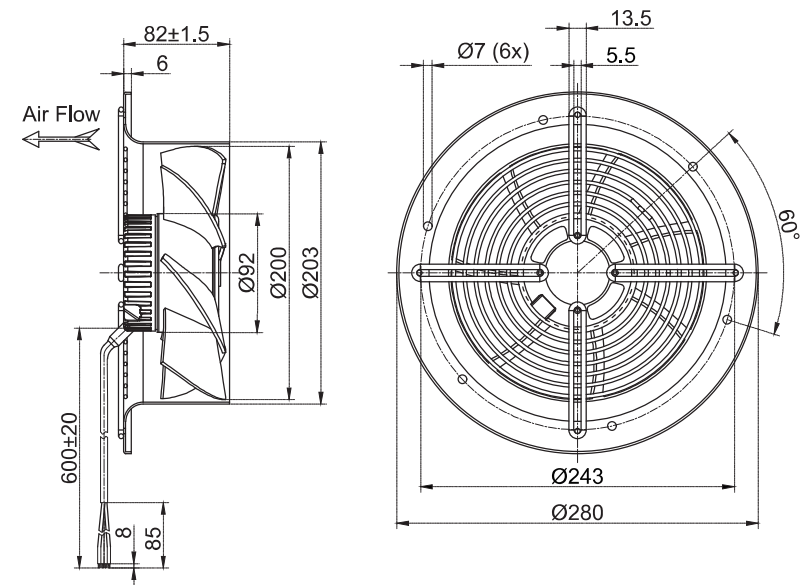
风量 Air Flow	风压 Air Pressure				速度控制 Speed Control	接线图 Wiring Mode
m³/h	Pa	with guard grille	with wall ring	with wall ring(S)		
1205	250	FG3G200-24GL-90	FW3G200-24GC-90	FW3G200-24GS-90	0-10VDC PWM RS-485	S2
1205	250	FG3G200-48GL-90	FW3G200-48GC-90	FW3G200-48GS-90		S2

DC Axial Fans

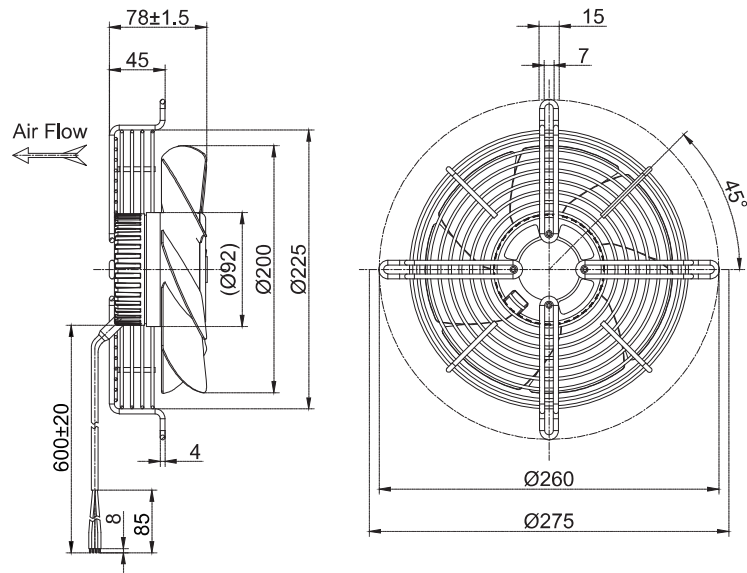
(轴流风机 Axial Fan)
FG3G200-24GN-90/FG3G200-48GN-90



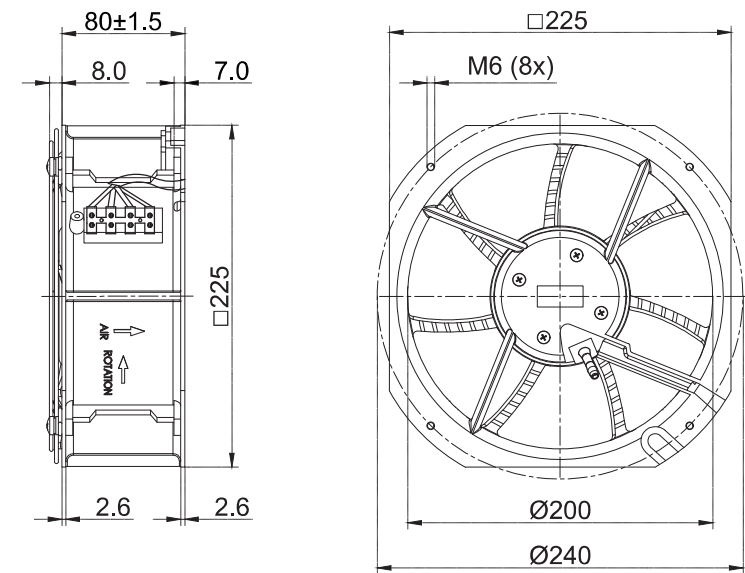
(带导风筒的轴流风机 Axial Fan With Wall Ring)
FW3G200-24GC-90/FW3G200-48GC-90



(带网罩的轴流风机 Axial Fan With Guard Grille)
FG3G200-24GL-90/FG3G200-48GL-90



(带导风筒的轴流风机 Axial Fan With Wall Ring (S))
FW3G200-24GS-90/FW3G200-48GS-90




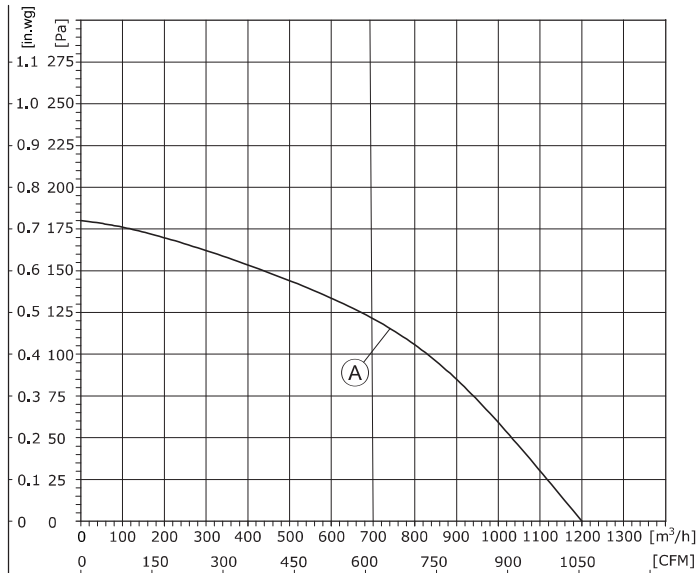
DC Axial Fans



EC Axial Fans D215

- 材料 **Material:** 冷轧钢板
- 风轮 **Impeller:** Cold-roll steel sheets
- 转子 **Rotor:** 电泳Electrophoresis
- 端盖 **Electronics housing:** 压铸铝Die-cast aluminium
- 叶片数量 **Number of blades:** 7
- 防护等级 **Degree of protection:** IP 44
- 绝缘等级 **Insulation class:** B
- 安装位置 **Installation position:** 任意Any
- 模式 **Mode:** 连续工作制 Continuous operation (S1)

	电机 Motor	曲线 Curve	额定电压 Nominal Voltage	额定电压范围 Nominal Voltage Range	电流 Current	转速 Speed	输入功率 Max. input Power	噪音等级 Sound Pressure Level
Type			VDC	VDC	A	RPM	W	dB(A)
FW3G215-24GL-90	BLDC92	(A)	24	16~28	2.6	2000	62	62
FW3G215-48GL-90	BLDC92	(A)	48	36~57	1.3	2000	62	62



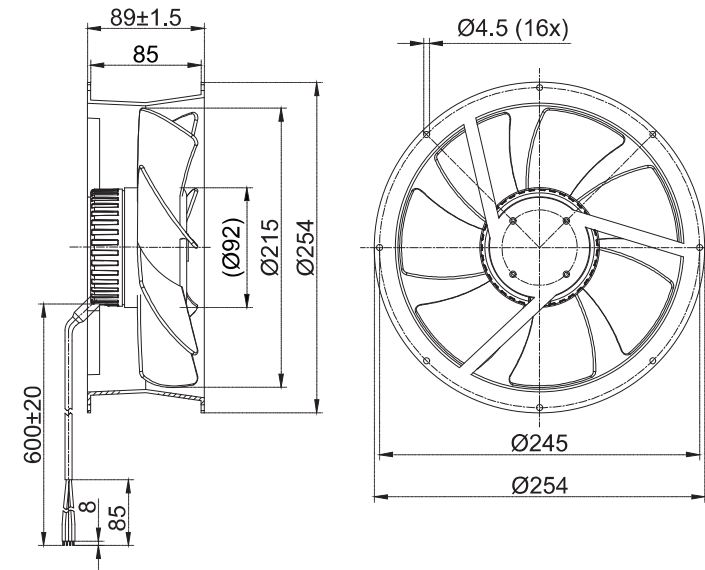
1. Air performance measured according to: ISO 5801, with DJ inlet ring without contact protection.
2. Intake-side sound level: LpA measured at 1 m distance from fan axis. The values given are only applicable under the specified measuring conditions and may differ depending on the installation conditions.

EC Axial Fans D215

- 旋转方向 **Direction of rotation:** 反转, 从转子方向Anti-clockwise, viewed toward rotor
- 技术特性 **Technical features:** 参见附图See connection diagram
- 泄漏电流 **Touch current:** < 3,5 mA
- 能效 **Efficiency:** ErP2015
- 标准/证书 **Valid For Approval/Standard:** CE, RoHS, ISO9001
- 环境温度 **Perm. ambient temp.:** -25°C ~ +60°C
- 安装 **Mounting:** 免维护滚珠轴承 Maintenance-free ball bearings

风量 Air Flow	风压 Air Pressure	速度控制 Speed Control	接线图 Wiring Mode
m³/h	Pa		
1200	180	0-10VDC PWM RS-485	S2
1200	180		S2

(带网罩的轴流风机 Axial Fan With Guard Grille) FW3G215-24GL-90/FW3G215-48GL-90




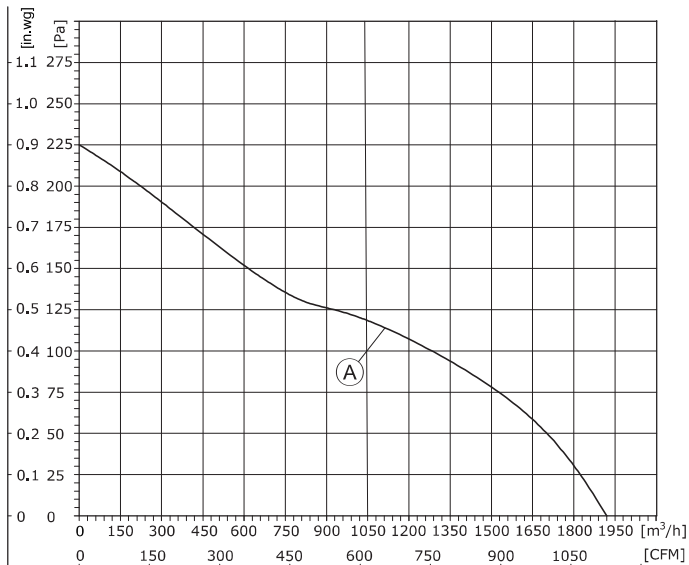
DC Axial Fans



DC Axial Fans D250

- 材料 **Material:** 冷轧钢板
风轮 **Impeller:** Cold-roll steel sheets
转子 **Rotor:** 电泳Electrophoresis
端盖 **Electronics housing:** 压铸铝Die-cast aluminium
- 叶片数量 **Number of blades:** 7
- 防护等级 **Degree of protection:** IP 44
- 绝缘等级 **Insulation class:** B
- 安装位置 **Installation position:** 任意Any
- 模式 **Mode:** 连续工作制 Continuous operation (S1)

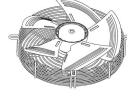
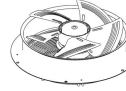
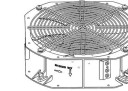
	电机 Motor	曲线 Curve	额定电压 Nominal Voltage	额定电压范围 Nominal Voltage Range	电流 Current	转速 Speed	输入功率 Max. input Power	噪音等级 Sound Pressure Level
Type			VDC	VDC	A	RPM	W	dB(A)
FG3G250-24GN-90	BLDC92	(A)	24	16~28	4.4	2780	105	69
FG3G250-48GN-90	BLDC92	(A)	48	36~57	2.2	2780	105	69



1. Air performance measured according to: ISO 5801, with DJ inlet ring without contact protection.
2. Intake-side sound level: LpA measured at 1 m distance from fan axis. The values given are only applicable under the specified measuring conditions and may differ depending on the installation conditions.

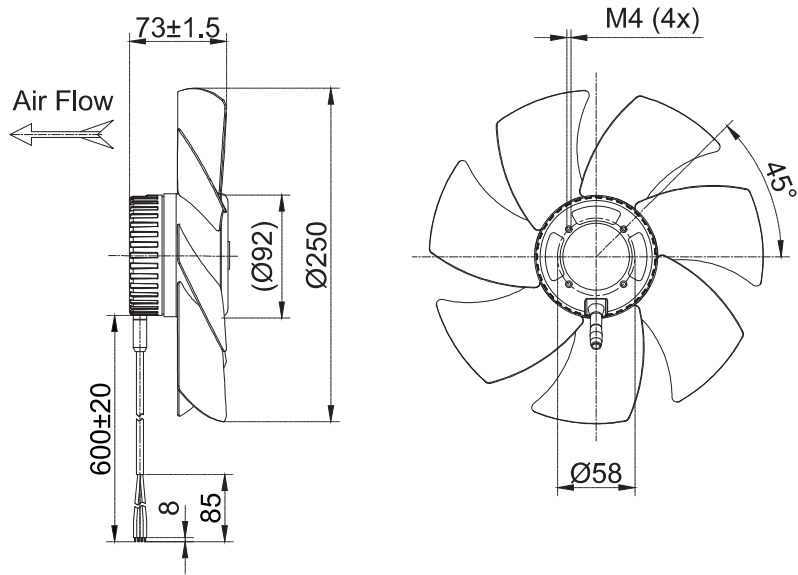
DC Axial Fans D250

- 旋转方向 **Direction of rotation:** 反转, 从转子方向Anti-clockwise, viewed toward rotor
- 技术特性 **Technical features:** 参见附图See connection diagram
- 泄漏电流 **Touch current:** < 3,5 mA
- 能效 **Efficiency:** ErP2015
- 标准/证书 **Valid For Approval/Standard:** CE, RoHS, ISO9001
环境温度 **Perm. ambient temp.:** -25°C~+60°C
- 安装 **Mounting:** 免维护滚珠轴承Maintenance-free ball bearings

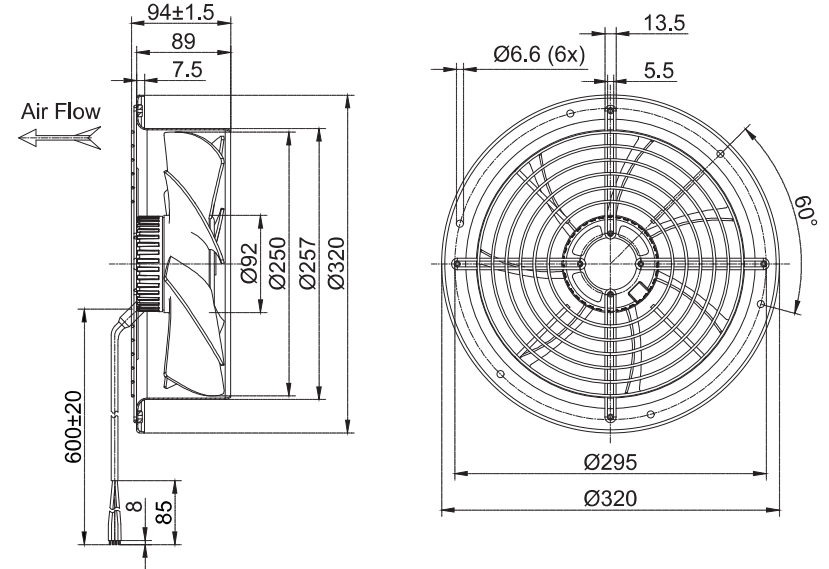
风量 Air Flow	风压 Air Pressure				速度控制 Speed Control	接线图 Wiring Mode
m³/h	Pa	with guard grille	with wall ring	with wall ring(S)		
1920	225	FG3G250-24GL-90	FW3G250-24GC-90	FW3G250-24GS-90	0-10VDC PWM RS-485	S2
1920	225	FG3G250-48GL-90	FW3G250-48GC-90	FW3G250-48GS-90		S2

DC Axial Fans

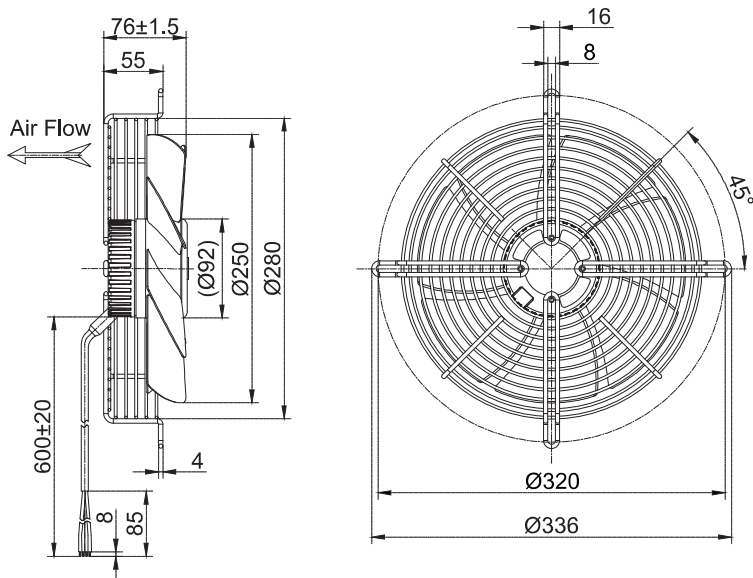
(轴流风机Axial Fan)
FG3G250-24GN-90/FG3G250-48GN-90



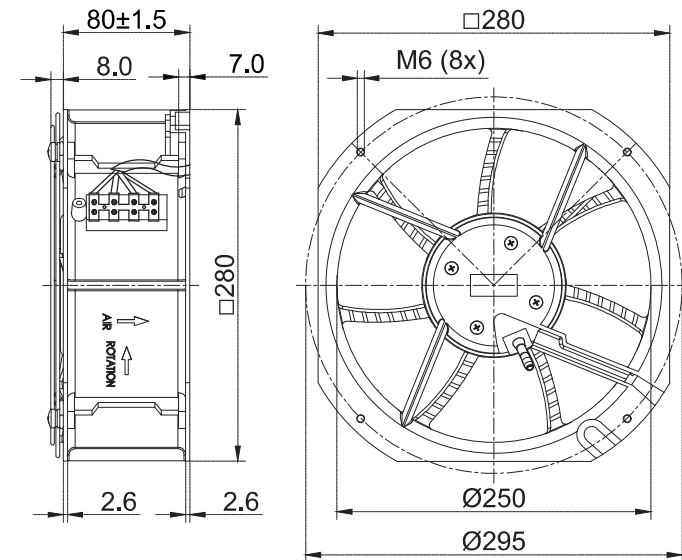
(带导风筒的轴流风机Axial Fan With Wall Ring)
FW3G250-24GC-90/FW3G250-48GC-90



(带网罩的轴流风机Axial Fan With Guard Grille)
FG3G250-24GL-90/FG3G250-48GL-90



(带导风筒的轴流风机Axial Fan With Wall Ring (S))
FW3G250-24GS-90/FW3G250-48GS-90




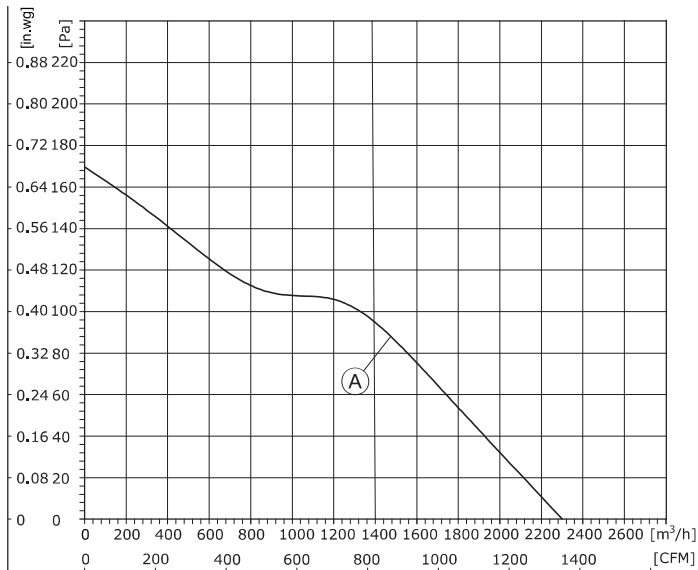
DC Axial Fans



DC Axial Fans D300

- 材料Material: 塑料
- 风轮Impeller: Plastic
 - 转子 Rotor: 电泳Electrophoresis
 - 端盖 Electronics housing: 压铸铝Die-cast aluminium
- 叶片数量Number of blades: 5
- 防护等级Degree of protection: IP 44
- 绝缘等级Insulation class: B
- 安装位置Installation position: 任意Any
- 模式Mode:连续工作制 Continuous operation (S1)

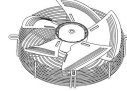
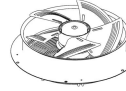
	电机 Motor	曲线 Curve	额定电压 Nominal Voltage	额定电压范围 Nominal Voltage Range	电流 Current	转速 Speed	输入功率 Max. input Power	噪音等级 Sound Pressure Level
Type			VDC	VDC	A	RPM	W	dB(A)
FG3G300-24PN-90	BLDC92	(A)	24	16~28	3.4	1800	80	66
FG3G300-48PN-90	BLDC92	(A)	48	36~57	1.7	1800	80	66



1. Air performance measured according to: ISO 5801, with DJ inlet ring without contact protection.
 2. Intake-side sound level: LpA measured at 1 m distance from fan axis. The values given are only applicable under the specified measuring conditions and may differ depending on the installation conditions.

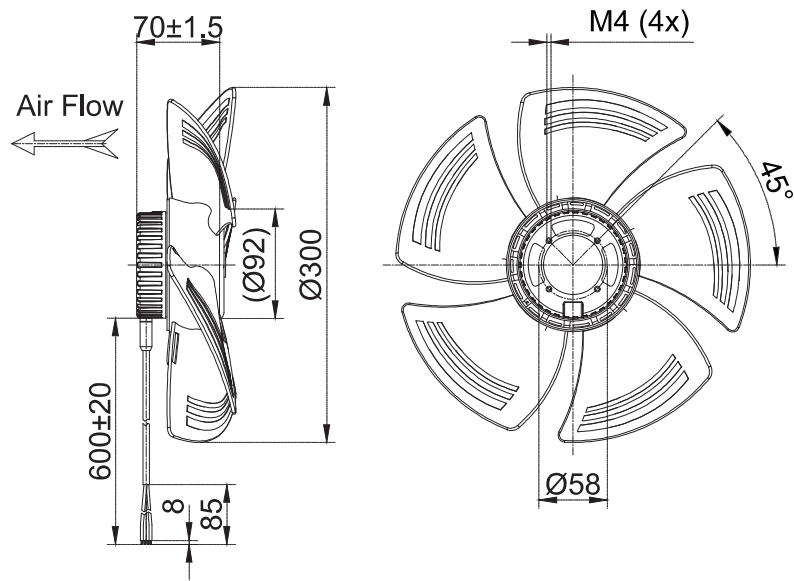
DC Axial Fans D300

- 旋转方向Direction of rotation: 反转, 从转子方向Anti-clockwise, viewed toward rotor
- 技术特性Technical features: 参见附图See connection diagram
- 泄漏电流Touch current: < 3,5 mA
- 能效Efficiency: ErP2015
- 标准/证书Valid For Approval/Standard: CE,RoHS,ISO9001
- 环境温度Perm. ambient temp.: -25°C~+60°C
- 安装Mounting: 免维护滚珠轴承Maintenance-free ball bearings

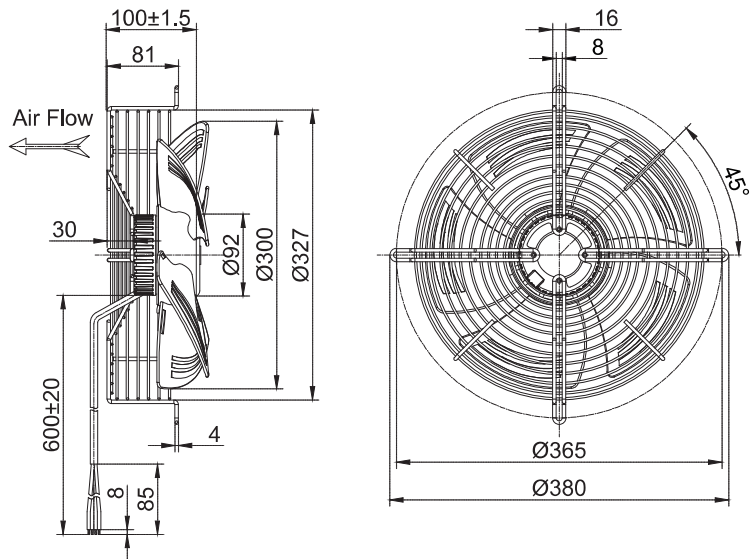
风量 Air Flow	风压 Air Pressure			速度控制 Speed Control	接线图 Wiring Mode
m³/h	Pa	with guard grille	with wall ring		
2300	170	FG3G300-24PL-90	FW3G300-24PC-90	0-10VDC PWM RS-485	S2
2300	170	FG3G300-48PL-90	FW3G300-48PC-90		S2

DC Axial Fans

(轴流风机 Axial Fan)
FG3G300-24PN-90/FG3G300-48PN-90



(带网罩的轴流风机 Axial Fan With Guard Grille)
FG3G300-24PL-90/FG3G300-48PL-90



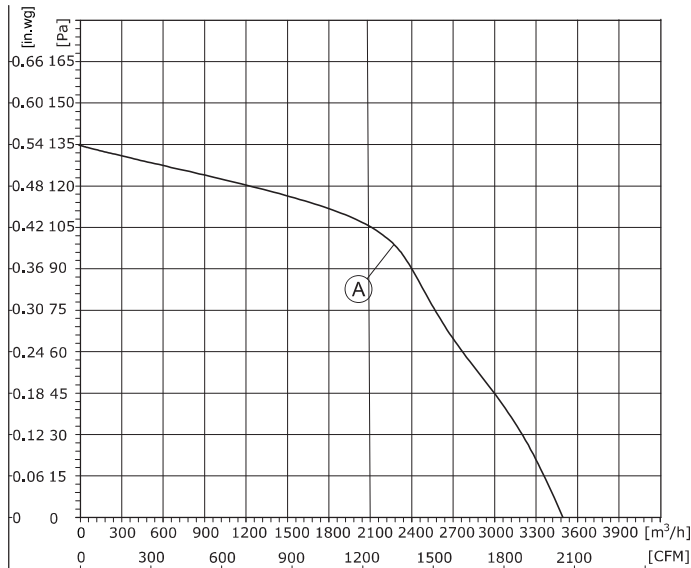
DC Axial Fans



DC Axial Fans D350

- 材料Material: 塑料
- 风轮Impeller: Plastic
 - 转子 Rotor: 电泳Electrophoresis
 - 端盖 Electronics housing: 压铸铝Die-cast aluminium
- 叶片数量Number of blades: 5
- 防护等级Degree of protection: IP 44
- 绝缘等级Insulation class: B
- 安装位置Installation position: 任意Any
- 模式Mode: 连续工作制 Continuous operation (S1)

电机 Motor	曲线 Curve	额定电压 Nominal Voltage	额定电压范围 Nominal Voltage Range	电流 Current	转速 Speed	输入功率 Max. input Power	噪音等级 Sound Pressure Level
Type		VDC	VDC	A	RPM	W	dB(A)
FG3G350-48PN-90	BLDC92	48	36~57	3.4	1580	160	63
FG3G350-48PN-20	BLDC102	48	36~57	8.0	1800	384	65

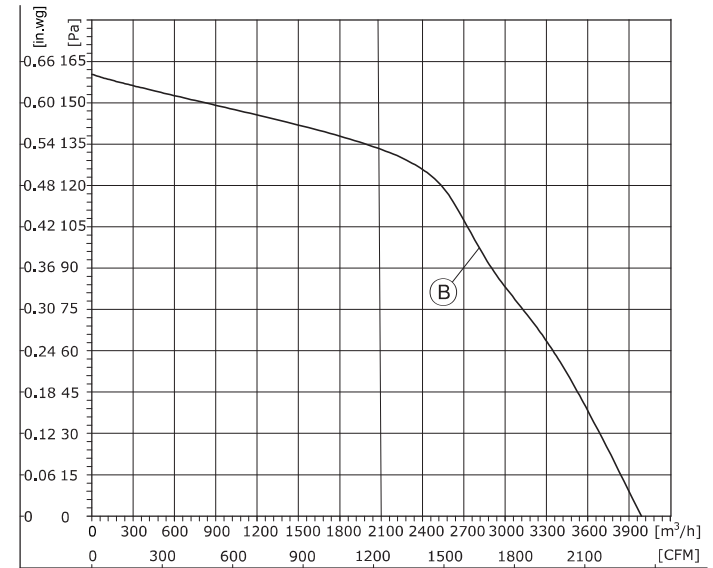


1. Air performance measured according to: ISO 5801, with DJ inlet ring without contact protection.
2. Intake-side sound level: LpA measured at 1 m distance from fan axis. The values given are only applicable under the specified measuring conditions and may differ depending on the installation conditions.

DC Axial Fans D350

- 旋转方向Direction of rotation: 反转, 从转子方向Anti-clockwise, viewed toward rotor
- 技术特性Technical features: 参见附图See connection diagram
- 泄漏电流Touch current: < 3,5 mA
- 能效Efficiency: ErP2015
- 标准/证书Valid For Approval/Standard: CE,RoHS,ISO9001
- 环境温度Perm. ambient temp.: -25°C~+60°C
- 安装Mounting: 免维护滚珠轴承Maintenance-free ball bearings

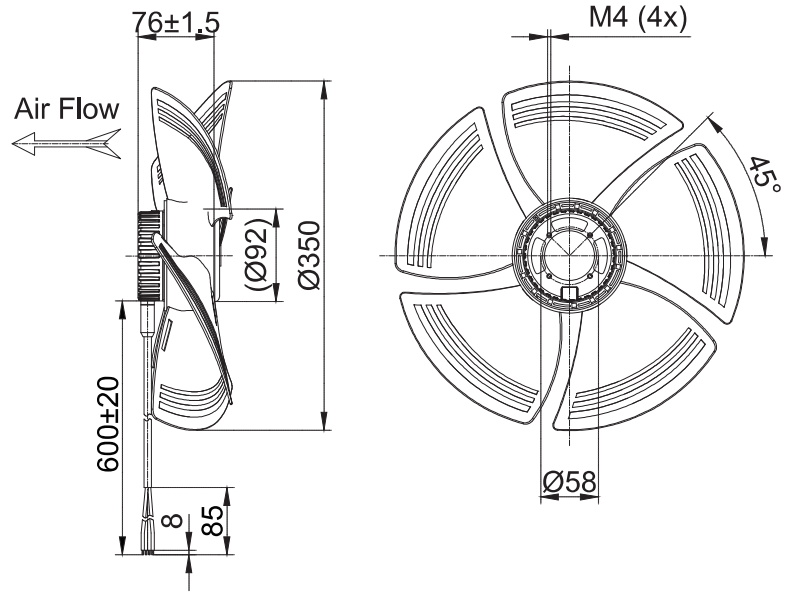
风量 Air Flow	风压 Air Pressure			速度控制 Speed Control	接线图 Wiring Mode
m³/h	Pa	with guard grille	with wall ring		
3500	135	FG3G350-48PL-90	FW3G350-48PC-90	0-10VDC PWM RS-485	S2
4000	160	FG3G350-48PL-20	FW3G350-48PC-20		S3



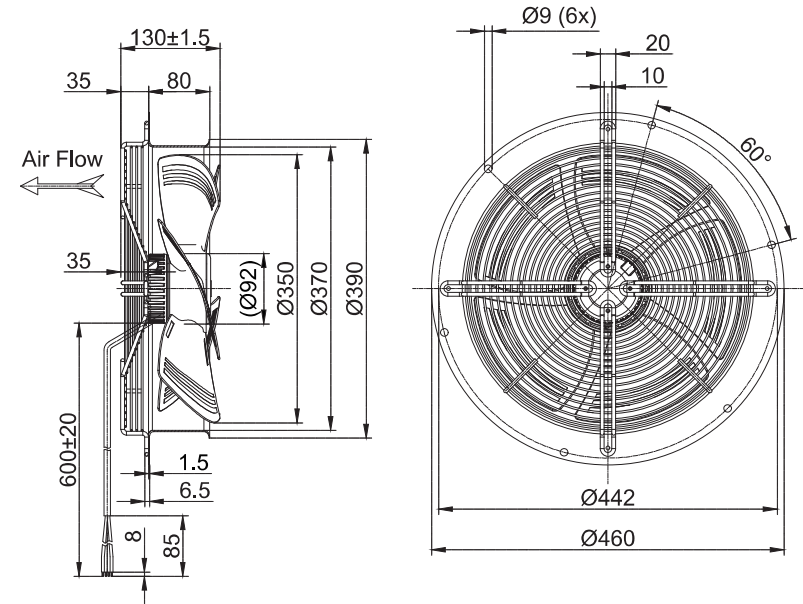
1. Air performance measured according to: ISO 5801, with DJ inlet ring without contact protection.
2. Intake-side sound level: LpA measured at 1 m distance from fan axis. The values given are only applicable under the specified measuring conditions and may differ depending on the installation conditions.

DC Axial Fans

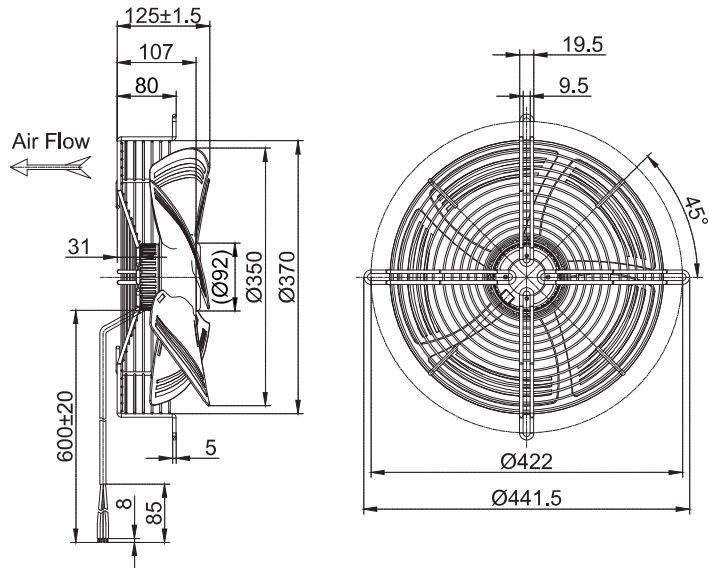
(轴流风机 Axial Fan)
FG3G350-48PN-90



(带导风筒的轴流风机 Axial Fan With Wall Ring)
FW3G350-48PC-90

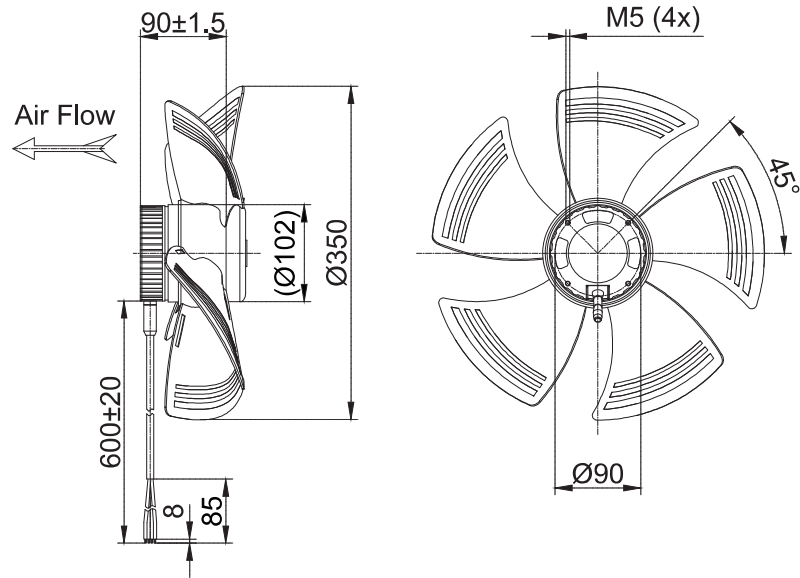


(带网罩的轴流风机 Axial Fan With Guard Grille)
FG3G350-48PL-90

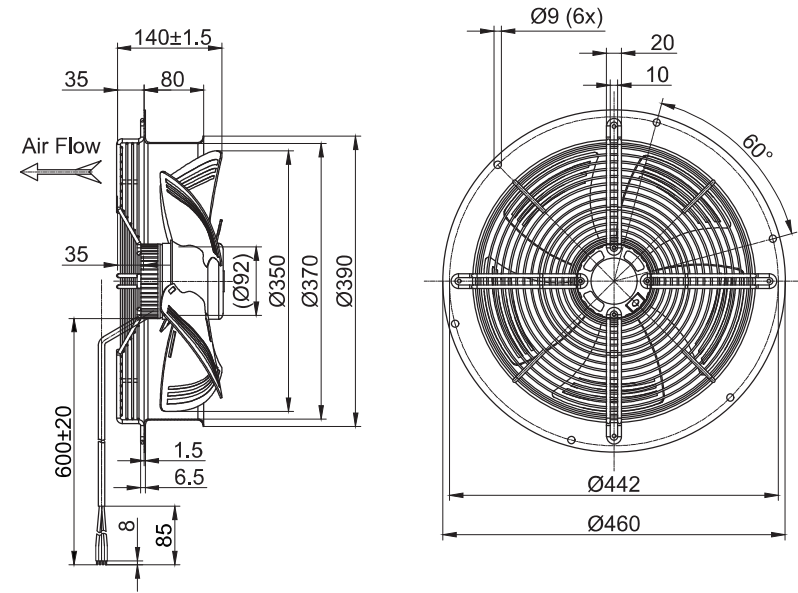


DC Axial Fans

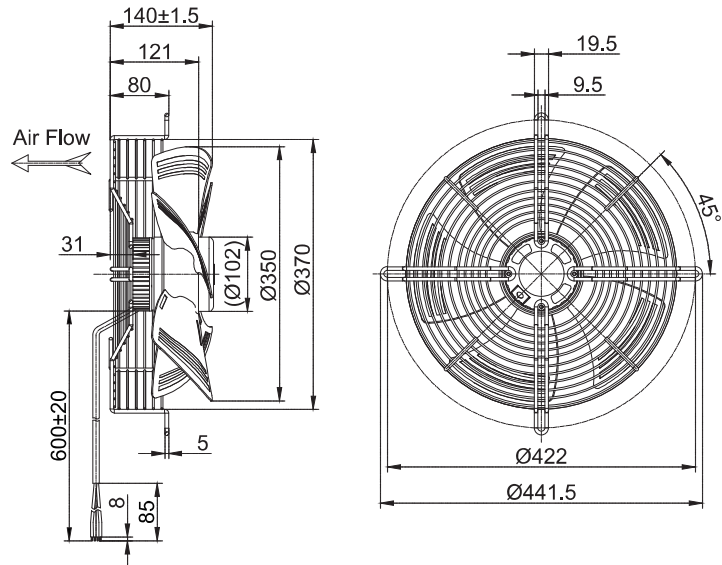
(轴流风机Axial Fan)
FG3G350-48PN-20



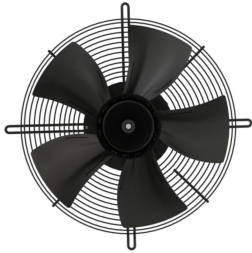
(带导风筒的轴流风机Axial Fan With Wall Ring)
FW3G350-48PC-20



(带网罩的轴流风机Axial Fan With Guard Grille)
FG3G350-48PL-20




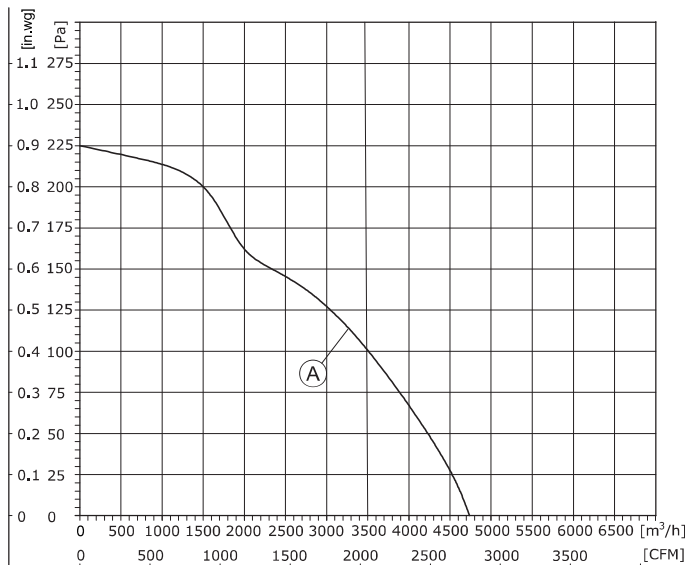
DC Axial Fans



DC Axial Fans D400

- 材料Material: 塑料
- 风轮Impeller: Plastic
 - 转子 Rotor: 电泳Electrophoresis
 - 端盖 Electronics housing: 压铸铝Die-cast aluminium
- 叶片数量Number of blades: 5
- 防护等级Degree of protection: IP 44
- 绝缘等级Insulation class: B
- 安装位置Installation position: 任意Any
- 模式Mode: 连续工作制 Continuous operation (S1)

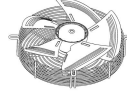
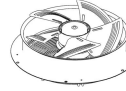
	电机 Motor	曲线 Curve	额定电压 Nominal Voltage	额定电压范围 Nominal Voltage Range	电流 Current	转速 Speed	输入功率 Max. input Power	噪音等级 Sound Pressure Level
Type			VDC	VDC	A	RPM	W	dB(A)
FG3G400-48PN-20	BLDC102	(A)	48	36~57	5.7	1400	274	68
FG3G400-110PN-21	BLDC102	(B)	110	77~138	3.6	1600	400	73

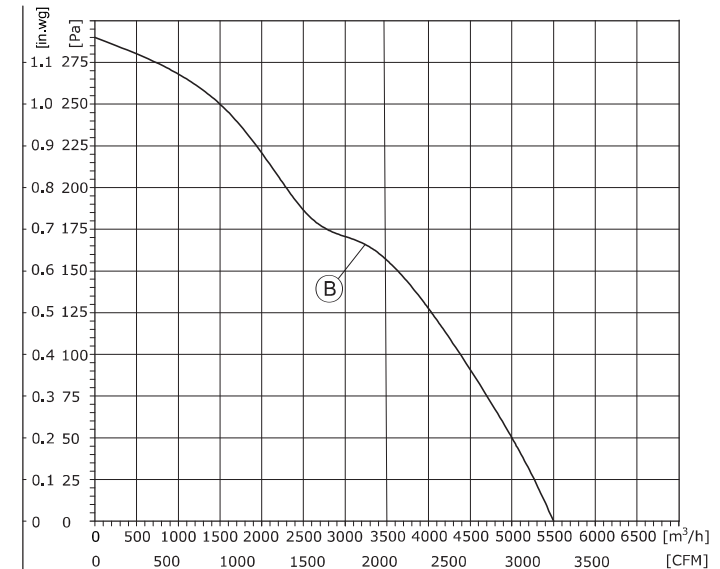


- Air performance measured according to: ISO 5801, with DJ inlet ring without contact protection.
- Intake-side sound level: LpA measured at 1 m distance from fan axis. The values given are only applicable under the specified measuring conditions and may differ depending on the installation conditions.

DC Axial Fans D400

- 旋转方向Direction of rotation: 反转, 从转子方向Anti-clockwise, viewed toward rotor
- 技术特性Technical features: 参见附图See connection diagram
- 泄漏电流Touch current: < 3,5 mA
- 能效Efficiency: ErP2015
- 标准/证书Valid For Approval/Standard: CE,RoHS,ISO9001
- 环境温度Perm. ambient temp.: -25°C~+60°C
- 安装Mounting: 免维护滚珠轴承Maintenance-free ball bearings

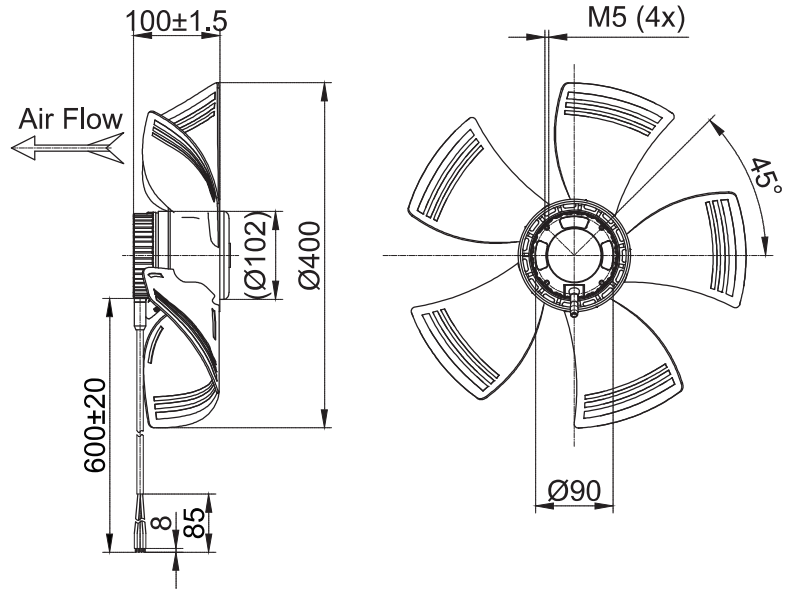
风量 Air Flow	风压 Air Pressure			速度控制 Speed Control	接线图 Wiring Mode
m³/h	Pa	with guard grille	with wall ring		
4730	225	FG3G400-48PL-20	FW3G400-48PF-20	0-10VDC PWM RS-485	S3
5500	290	FG3G400-110PL-21	FW3G400-110PF-21		S3



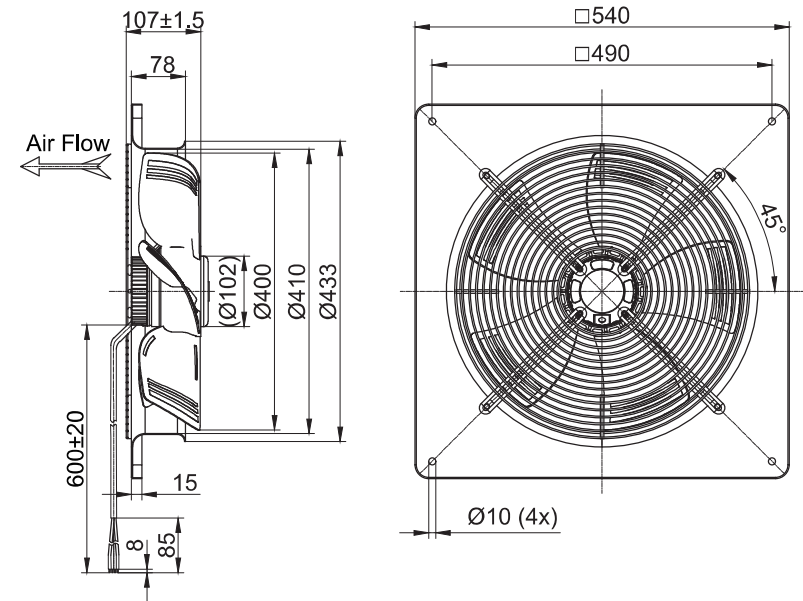
- Air performance measured according to: ISO 5801, with DJ inlet ring without contact protection.
- Intake-side sound level: LpA measured at 1 m distance from fan axis. The values given are only applicable under the specified measuring conditions and may differ depending on the installation conditions.

DC Axial Fans

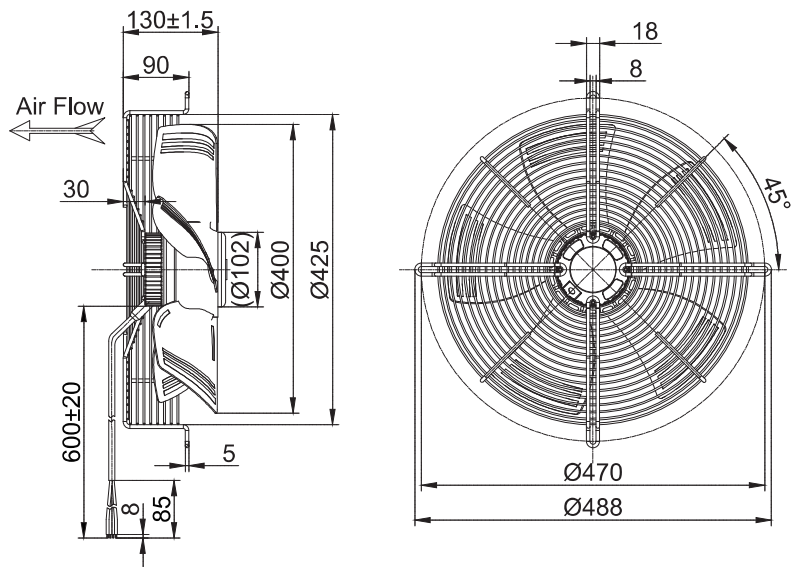
(轴流风机Axial Fan)
FG3G400-48PN-20/FG3G400-110PN-21



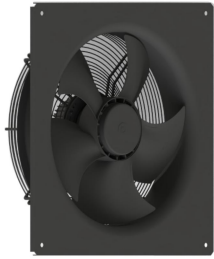
(带导风筒的轴流风机Axial Fan With Wall Ring)
FW3G400-48PF-20/FW3G400-110PF-21



(带网罩的轴流风机Axial Fan With Guard Grille)
FG3G400-48PL-20/FG3G400-110PL-21




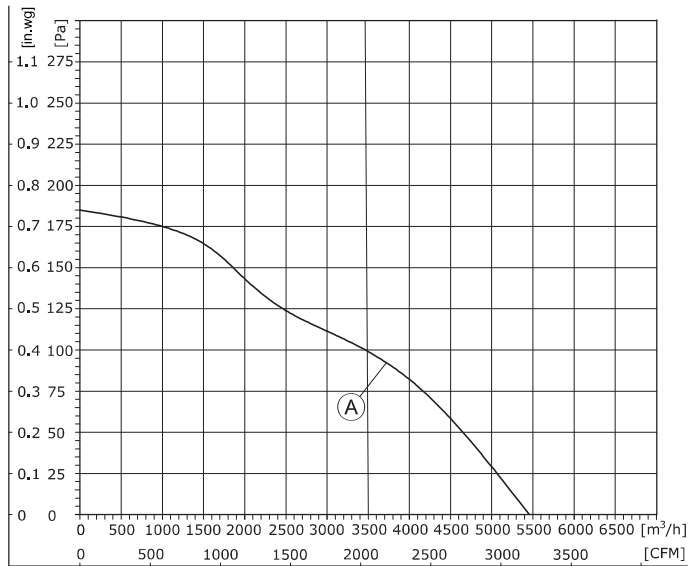
DC Axial Fans



DC Axial Fans D450

- 材料Material: 塑料
- 风轮Impeller: Plastic
 - 转子 Rotor: 电泳Electrophoresis
 - 端盖 Electronics housing: 压铸铝Die-cast aluminium
- 叶片数量Number of blades: 5
- 防护等级Degree of protection: IP 44
- 绝缘等级Insulation class: B
- 安装位置Installation position: 任意Any
- 模式Mode:连续工作制 Continuous operation (S1)

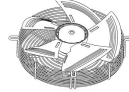
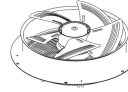
	电机 Motor	曲线 Curve	额定电压 Nominal Voltage	额定电压范围 Nominal Voltage Range	电流 Current	转速 Speed	输入功率 Max. input Power	噪音等级 Sound Pressure Level
Type			VDC	VDC	A	RPM	W	dB(A)
FG3G450-48PN-20	BLDC102	(A)	48	36~57	5.4	1450	260	63
FG3G450-110PN-20	BLDC102	(B)	110	77~138	3.9	1600	420	68

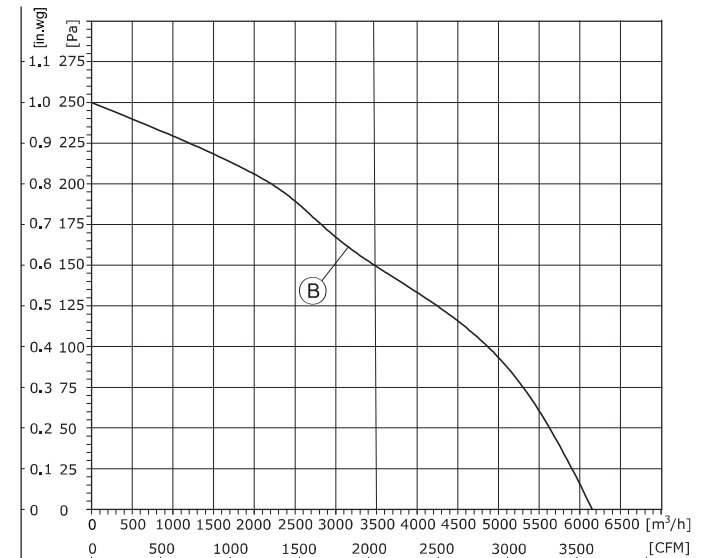


1. Air performance measured according to: ISO 5801, with DJ inlet ring without contact protection.
2. Intake-side sound level: LpA measured at 1 m distance from fan axis. The values given are only applicable under the specified measuring conditions and may differ depending on the installation conditions.

DC Axial Fans D450

- 旋转方向Direction of rotation: 反转, 从转子方向Anti-clockwise, viewed toward rotor
- 技术特性Technical features: 参见附图See connection diagram
- 泄漏电流Touch current: < 3,5 mA
- 能效Efficiency: ErP2015
- 标准/证书Valid For Approval/Standard: CE,RoHS,ISO9001
- 环境温度Perm. ambient temp.: -25°C~+60°C
- 安装Mounting: 免维护滚珠轴承Maintenance-free ball bearings

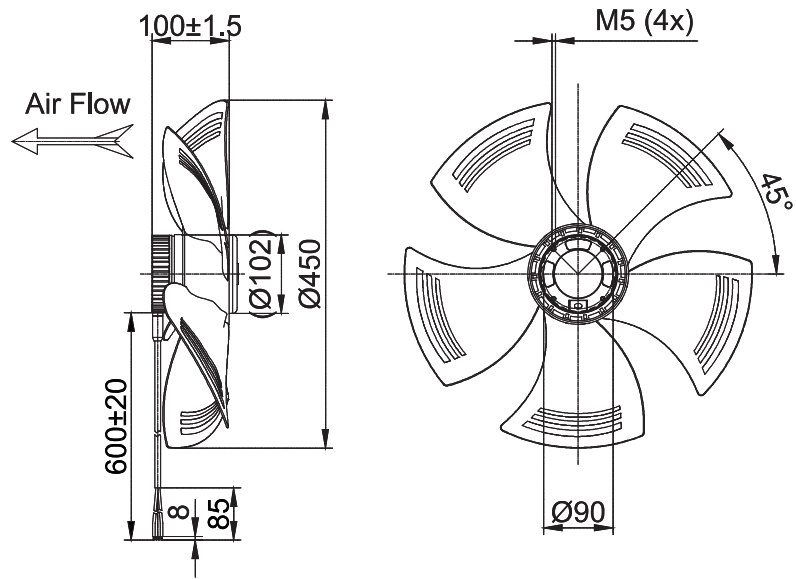
风量 Air Flow	风压 Air Pressure			速度控制 Speed Control	接线图 Wiring Mode
m³/h	Pa	with guard grille	with wall ring		
5450	185	FG3G450-48PL-20	FW3G450-48PF-20	0-10VDC PWM RS-485	S3
6150	250	FG3G450-110PL-20	FW3G450-110PF-20		S3



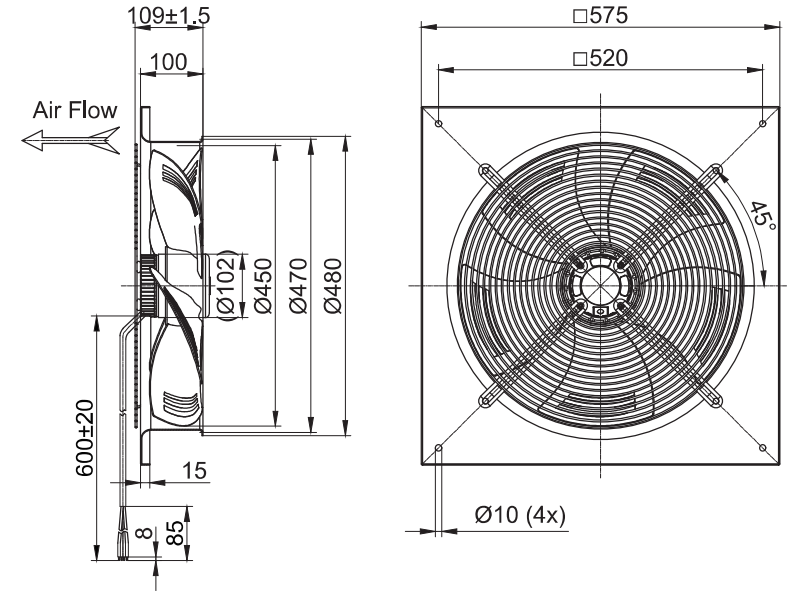
1. Air performance measured according to: ISO 5801, with DJ inlet ring without contact protection.
2. Intake-side sound level: LpA measured at 1 m distance from fan axis. The values given are only applicable under the specified measuring conditions and may differ depending on the installation conditions.

DC Axial Fans

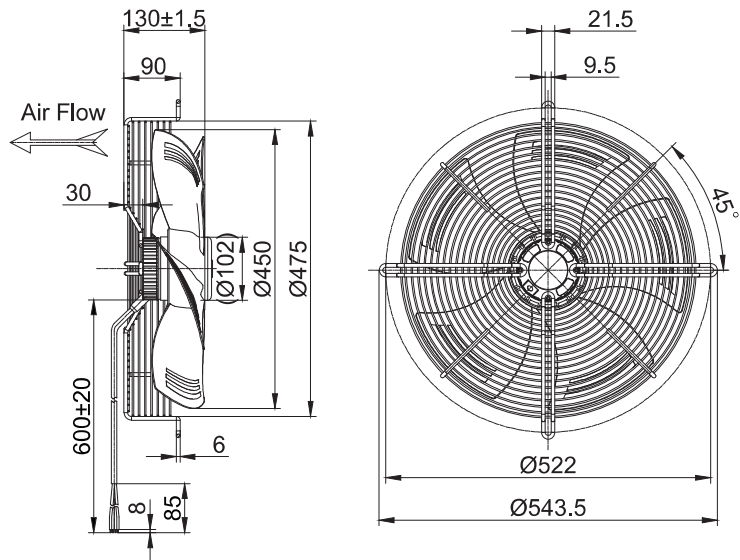
(轴流风机 Axial Fan)
FG3G450-48PN-20/FG3G450-110PN-20



(带导风筒的轴流风机 Axial Fan With Wall Ring)
FW3G450-48PF-20/FW3G450-110PF-20



(带网罩的轴流风机 Axial Fan With Guard Grille)
FG3G450-48PL-20/FG3G450-110PL-20




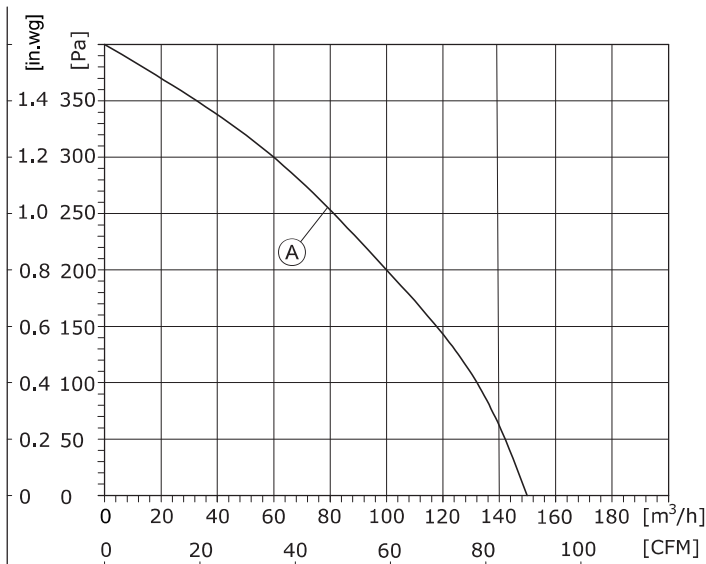
EC Centrifugal Blowers



DC Single Inlet Centrifugal Blower D097

- 材料 **Material:** 镀锌钢板
- 风轮 **Impeller:** Galvanized steel plate
 - 转子 **Rotor:** 电泳Electrophoresis
 - 端盖 **Electronics housing:** 压铸铝Die-cast aluminium
- 叶片数量 **Number of blades:** 34
- 防护等级 **Degree of protection:** IP 44
- 绝缘等级 **Insulation class:** B
- 安装位置 **Installation position:** 任意Any
- 模式 **Mode:** 连续工作制 Continuous operation (S1)

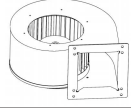
	电机 Motor	曲线 Curve	额定电压 Nominal Voltage	额定电压范围 Nominal Voltage Range	电流 Current	转速 Speed	输入功率 Max. input Power
Type			VDC	VDC	A	RPM	W
FF3G097-24GL-50	BLDC53	(A)	24	16~28	1.6	2500	38.4
FF3G097-48GL-50	BLDC53	(A)	48	36~57	0.8	2500	38.4



1. Air performance measured according to: ISO 5801, with DJ inlet ring without contact protection.
 2. Intake-side sound level: LpA measured at 1 m distance from fan axis. The values given are only applicable under the specified measuring conditions and may differ depending on the installation conditions.

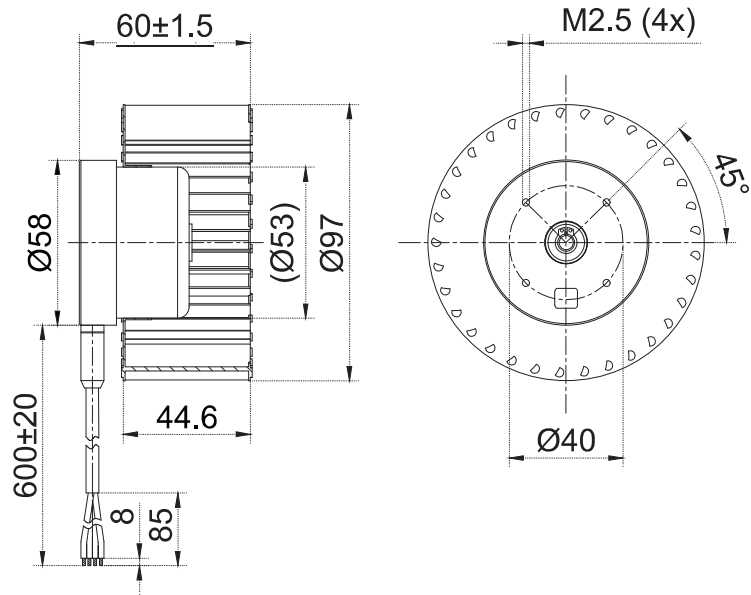
DC Single Inlet Centrifugal Blower D097

- 旋转方向 **Direction of rotation:** 正转, 从转子方向Clockwise, viewed toward rotor
- 技术特性 **Technical features:** 参见附图See connection diagram
- 泄漏电流 **Touch current:** < 3,5 mA
- 能效 **Efficiency:** ErP2015
- 标准/证书 **Valid For Approval/Standard:** CE,RoHS,ISO9001
- 环境温度 **Perm. ambient temp.:** -25 C ~+60 C
- 安装 **Mounting:** 免维护滚珠轴承Maintenance-free ball bearings

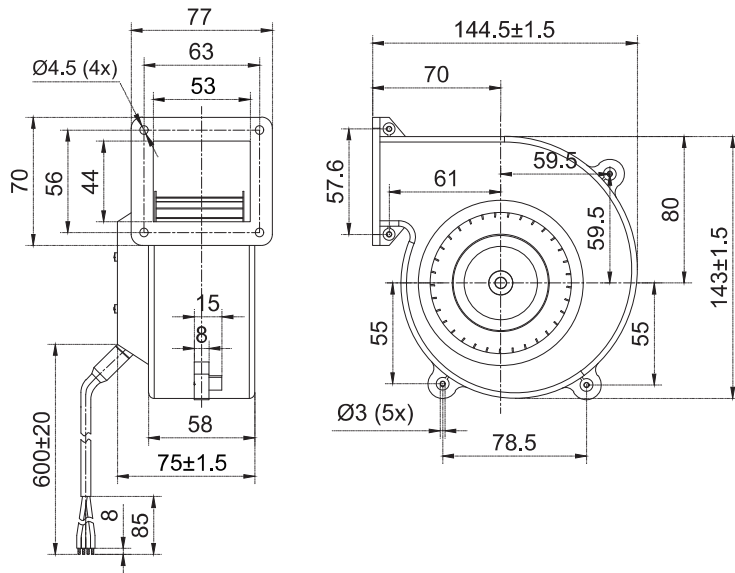
噪音等级 Sound Pressure Level	风量 Air Flow	风压 Air Pressure		速度控制 Speed Control	接线图 Wiring Mode
dB(A)	m³/h	Pa	with scroll housing		
62	150	400	FS3G097-24GL-50	0-10VDC PWM	S1
62	150	400	FS3G097-48GL-50		S1

EC Centrifugal Blowers

(前向离心风机 Forward Centrifugal Blower Without Scroll Housing)
FF3G097-24GL-50/FF3G097-48GL-50



(单进风鼓风机 Single Inlet Centrifugal Blower With Scroll Housing)
FS3G097-24GL-50/FS3G097-48GL-50





流动的清新一享效率之美

A Moveable Freshness

Enjoying The Beauty Of Efficiency To The Fullest



苏州鑫恒鑫电机有限公司

Fanova(Suzhou) Motor Technology Co., LTD

地址/ADD: 中国江苏省苏州市相城经济开发区富元路739号7号楼2楼, 邮编: 215100
2ND FLOOR BUILDING7,NO.739.FUYUAN ROAD ECONOMIC DEVELOPMENT ZONE
XIANGCHENG DISTRICT,SUZHOU CITY,JIANGSU PROVINCE,PR.CHINA

电话/TEL: +86 - 512 - 66152110

邮箱/E-MAIL: sales01@fanova-tech.com 网址/Website: www.fanova-tech.com