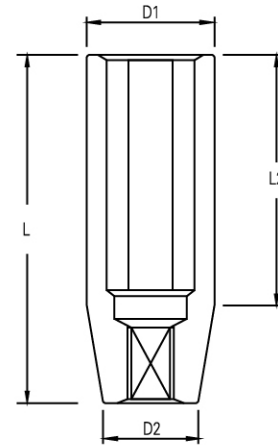
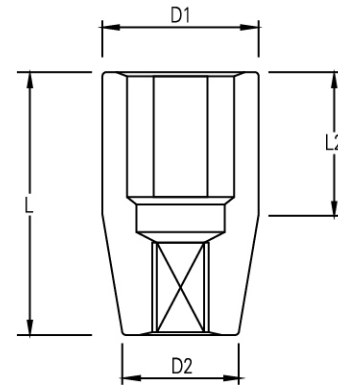


# 3/8" IMPACT SOCKETS

3/8" 六角标准套筒

# 3/8" DEEP IMPACT SOCKETS

3/8" 六角加长套筒



- 套筒  
Impact  
Sockets
- 3/8"**
- P1-2
- 1/2"
- P3-11
- 3/4"
- P12-20
- 1"
- P21-29
- 1-1/2"
- P30-31
- 2-1/2"
- P32
- 旋具套筒  
Hex Impact  
Socket Bit
- P33-36
- 万向节  
Universal  
Joints  
转换头  
Impact  
Adaptor
- P37-38
- 接杆弯杆  
杆类附件  
Extension  
Bar&Tools&  
Accessories
- P39-40
- 棘轮  
Ratchet  
Wrench
- P41
- 套装  
Impact  
Socket Set
- P42-65
- 大车  
专用工具  
Axle Head  
Socket
- P66

Order NO.	Size	L±0.5	D1±0.2	D2±0.2	Surface
0103806	6mm	30	11	19	Phosphating
0103807	7mm	30	12	19	Phosphating
0103808	8mm	30	13	19	Phosphating
0103809	9mm	30	15	19	Phosphating
0103810	10mm	30	16.5	19	Phosphating
0103811	11mm	30	17.5	19	Phosphating
0103812	12mm	30	19	20	Phosphating
0103813	13mm	30	20	22	Phosphating
0103814	14mm	30	21.5	22	Phosphating
0103815	15mm	30	22	22	Phosphating
0103816	16mm	30	24	22	Phosphating
0103817	17mm	30	25	22	Phosphating
0103818	18mm	30	26	22	Phosphating
0103819	19mm	30	27.5	22	Phosphating
0103820	20mm	30	28	22	Phosphating
0103821	21mm	30	30	22	Phosphating
0103822	22mm	30	32	23	Phosphating
0103824	24mm	30	34	23	Phosphating
Order NO.	Size	L±0.5	D1±0.2	D2±0.2	Surface
0103825	1/4"	30	11	19	Phosphating
0103826	5/16"	30	13	19	Phosphating
0103827	3/8"	30	15	19	Phosphating
0103828	7/16"	30	17.5	19	Phosphating
0103829	1/2"	30	20	20	Phosphating
0103830	9/16"	30	21.5	22	Phosphating
0103831	5/8"	30	24	22	Phosphating
0103832	11/16"	30	25.5	22	Phosphating
0103833	3/4"	30	27.5	22	Phosphating
0103834	13/16"	30	30	22	Phosphating
0103835	7/8"	30	32	23	Phosphating
0103836	15/16"	30	34	23	Phosphating
0103837	1"	30	35.5	23	Phosphating
0103838	1-1/16"	30	38	23	Phosphating

Order NO.	Size	L±0.5	D1±0.2	D2±0.2	Surface
0203806	6mm	65	11	19	Phosphating
0203807	7mm	65	12.5	19	Phosphating
0203808	8mm	65	14	19	Phosphating
0203809	9mm	65	15	19	Phosphating
0203810	10mm	65	16	19	Phosphating
0203811	11mm	65	17	19	Phosphating
0203812	12mm	65	19	20	Phosphating
0203813	13mm	65	20	22	Phosphating
0203814	14mm	65	21	22	Phosphating
0203815	15mm	65	22	22	Phosphating
0203816	16mm	65	24	22	Phosphating
0203817	17mm	65	25	22	Phosphating
0203818	18mm	65	26	22	Phosphating
0203819	19mm	65	27	22	Phosphating
0203820	20mm	65	28	22	Phosphating
0203821	21mm	65	30	22	Phosphating
0203822	22mm	65	32	23	Phosphating
0203824	24mm	65	34	23	Phosphating
Order NO.	Size	L±0.5	D1±0.2	D2±0.2	Surface
0203825	5/16"	65	13	19	Phosphating
0203826	3/8"	65	15	19	Phosphating
0203827	7/16"	65	17.5	19	Phosphating
0203828	1/2"	65	20	20	Phosphating
0203829	9/16"	65	21.5	22	Phosphating
0203830	5/8"	65	24	22	Phosphating
0203831	11/16"	65	25.5	22	Phosphating
0203832	3/4"	65	27.5	22	Phosphating
0203833	13/16"	65	30	22	Phosphating
0203834	7/8"	65	32	23	Phosphating
0203835	15/16"	65	34	23	Phosphating
0203836	1"	65	35.5	23	Phosphating

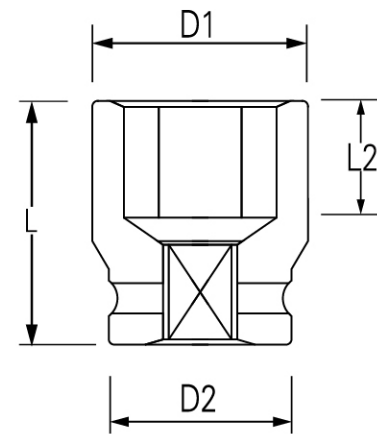
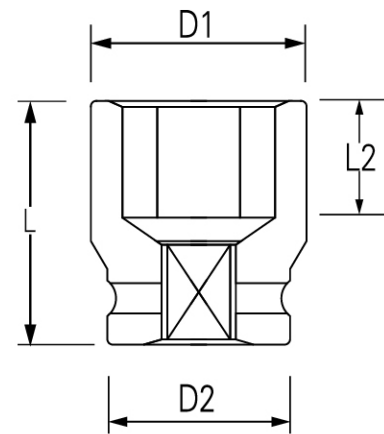
- 套筒  
Impact  
Sockets
- 3/8"**
- P1-2
- 1/2"
- P3-11
- 3/4"
- P12-20
- 1"
- P21-29
- 1-1/2"
- P30-31
- 2-1/2"
- P32
- 旋具套筒  
Hex Impact  
Socket Bit
- P33-36
- 万向节  
Universal  
Joints  
转换头  
Impact  
Adaptor
- P37-38
- 接杆弯杆  
杆类附件  
Extension  
Bar&Tools&  
Accessories
- P39-40
- 棘轮  
Ratchet  
Wrench
- P41
- 套装  
Impact  
Socket Set
- P42-65
- 大车  
专用工具  
Axle Head  
Socket
- P66

# 1/2" IMPACT SOCKETS

1/2" 六角公制标准套筒

# 1/2" IMPACT SOCKETS

1/2" 六角英制标准套筒



- 套筒  
Impact  
Sockets
- 3/8 "
- P1-2
- 1/2 "
- P3-11
- 3/4 "
- P12-20
- 1 "
- P21-29
- 1-1/2 "
- P30-31
- 2-1/2 "
- P32
- 旋具套筒  
Hex Impact  
Socket Bit
- P33-36
- 万向节  
Universal  
Joints  
转换头  
Impact  
Adaptor
- P37-38
- 接杆弯杆  
杆类附件  
Extension  
Bar&Tools&  
Accessories
- P39-40
- 棘轮  
Ratchet  
Wrench
- P41
- 套装  
Impact  
Socket Set
- P42-65
- 大车  
专用工具  
Axle Head  
Socket
- P66

Order NO.	Size	L±0.5	D1±0.2	D2±0.2	Surface
0101208	8mm	38	15	24	Phosphating
0101209	9mm	38	16.5	24	Phosphating
0101210	10mm	38	17.5	24	Phosphating
0101211	11mm	38	18.5	24	Phosphating
0101212	12mm	38	19.5	24	Phosphating
0101213	13mm	38	20.5	24	Phosphating
0101214	14mm	38	22	24	Phosphating
0101215	15mm	38	23	24	Phosphating
0101216	16mm	38	24	24	Phosphating
0101217	17mm	38	26	26	Phosphating
0101218	18mm	38	26.5	28	Phosphating
0101219	19mm	38	28	28	Phosphating
0101220	20mm	38	29	30	Phosphating
0101221	21mm	38	30	30	Phosphating
0101222	22mm	38	32	30	Phosphating
0101223	23mm	38	34	30	Phosphating
0101224	24mm	38	34	30	Phosphating
0101225	25mm	40	36	30	Phosphating
0101226	26mm	40	36	30	Phosphating
0101227	27mm	40	38	30	Phosphating
0101228	28mm	44	38	30	Phosphating
0101229	29mm	44	40	34	Phosphating
0101230	30mm	44	42	34	Phosphating
0101231	31mm	44	42	34	Phosphating
0101232	32mm	44	44	34	Phosphating
0101233	33mm	46	45	36	Phosphating
0101234	34mm	46	46	36	Phosphating
0101235	35mm	46	48	36	Phosphating
0101236	36mm	46	51	40	Phosphating
0101237	37mm	46	51	40	Phosphating
0101238	38mm	46	53	40	Phosphating
0101239	39mm	46	54	40	Phosphating
0101240	40mm	46	55	40	Phosphating
0101241	41mm	46	57	40	Phosphating
0101246	46mm	55	63	46	Phosphating

Order NO.	Size	L±0.5	D1±0.2	D2±0.2	Surface
0101242	5/16 "	38	15	24	Phosphating
0101243	3/8 "	38	16.5	24	Phosphating
0101244	7/16 "	38	18.5	24	Phosphating
0101245	1/2 "	38	19.5	24	Phosphating
0101246	9/16 "	38	22	24	Phosphating
0101247	5/8 "	38	24	24	Phosphating
0101248	11/16 "	38	26	26	Phosphating
0101249	3/4 "	38	28	28	Phosphating
0101250	13/16 "	38	30	30	Phosphating
0101251	7/8 "	38	32	30	Phosphating
0101252	15/16 "	38	34	30	Phosphating
0101253	1 "	40	36	30	Phosphating
0101254	1-1/16 "	40	38	30	Phosphating
0101255	1-1/8 "	44	40	34	Phosphating
0101256	1-3/16 "	44	42	34	Phosphating
0101257	1-1/4 "	44	44	34	Phosphating
0101258	1-5/16 "	46	45	36	Phosphating
0101259	1-3/8 "	46	48	36	Phosphating
0101260	1-7/16 "	46	51	40	Phosphating
0101261	1-1/2 "	46	53	40	Phosphating

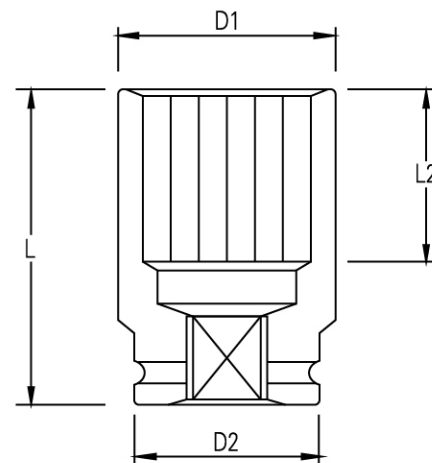
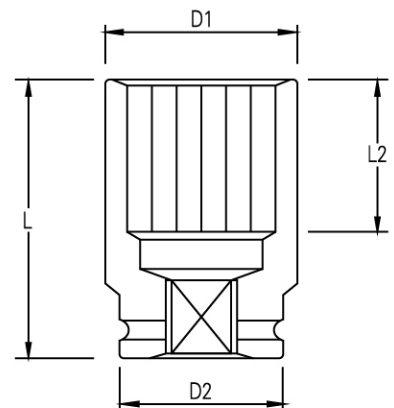
- 套筒  
Impact  
Sockets
- 3/8 "
- P1-2
- 1/2 "
- P3-11
- 3/4 "
- P12-20
- 1 "
- P21-29
- 1-1/2 "
- P30-31
- 2-1/2 "
- P32
- 旋具套筒  
Hex Impact  
Socket Bit
- P33-36
- 万向节  
Universal  
Joints  
转换头  
Impact  
Adaptor
- P37-38
- 接杆弯杆  
杆类附件  
Extension  
Bar&Tools&  
Accessories
- P39-40
- 棘轮  
Ratchet  
Wrench
- P41
- 套装  
Impact  
Socket Set
- P42-65
- 大车  
专用工具  
Axle Head  
Socket
- P66

# 1/2" IMPACT SOCKETS

1/2" 梅花公制标准套筒

# 1/2" IMPACT SOCKETS

1/2" 梅花英制标准套筒



- 套筒  
Impact  
Sockets
- 3/8 "
- P1-2
- 1/2 "
- P3-11
- 3/4 "
- P12-20
- 1 "
- P21-29
- 1-1/2 "
- P30-31
- 2-1/2 "
- P32
- 旋具套筒  
Hex Impact  
Socket Bit
- P33-36
- 万向节  
Universal  
Joints  
转换头  
Impact  
Adaptor
- P37-38
- 接杆弯杆  
杆类附件  
Extension  
Bar&Tools&  
Accessories
- P39-40
- 棘轮  
Ratchet  
Wrench
- P41
- 套装  
Impact  
Socket Set
- P42-65
- 大车  
专用工具  
Axle Head  
Socket
- P66

Order NO.	Size	L±0.5	D1±0.2	D2±0.2	Surface
0201208	8mm	38	15	24	Phosphating
0201209	9mm	38	16.5	24	Phosphating
0201210	10mm	38	17.5	24	Phosphating
0201211	11mm	38	18.5	24	Phosphating
0201212	12mm	38	19.5	24	Phosphating
0201213	13mm	38	20.5	24	Phosphating
0201214	14mm	38	22	24	Phosphating
0201215	15mm	38	23	24	Phosphating
0201216	16mm	38	24	24	Phosphating
0201217	17mm	38	26	26	Phosphating
0201218	18mm	38	26.5	28	Phosphating
0201219	19mm	38	28	28	Phosphating
0201220	20mm	38	29	30	Phosphating
0201221	21mm	38	30	30	Phosphating
0201222	22mm	38	32	30	Phosphating
0201223	23mm	38	34	30	Phosphating
0201224	24mm	38	34	30	Phosphating
0201225	25mm	40	36	30	Phosphating
0201226	26mm	40	36	30	Phosphating
0201227	27mm	40	38	30	Phosphating
0201228	28mm	44	38	30	Phosphating
0201229	29mm	44	40	34	Phosphating
0201230	30mm	44	42	34	Phosphating
0201231	31mm	44	42	34	Phosphating
0201232	32mm	44	44	34	Phosphating
0201233	33mm	46	45	36	Phosphating
0201234	34mm	46	46	36	Phosphating
0201235	35mm	46	48	36	Phosphating
0201236	36mm	46	51	40	Phosphating
0201237	37mm	46	51	40	Phosphating
0201238	38mm	46	53	40	Phosphating
0201239	39mm	46	54	40	Phosphating
0201240	40mm	46	55	40	Phosphating
0201241	41mm	46	57	40	Phosphating
0201246	46mm	55	63	46	Phosphating

Order NO.	Size	L±0.5	D1±0.2	D2±0.2	Surface
0201242	5/16 "	38	15	24	Phosphating
0201243	3/8 "	38	16.5	24	Phosphating
0201244	7/16 "	38	18.5	24	Phosphating
0201245	1/2 "	38	19.5	24	Phosphating
0201246	9/16 "	38	22	24	Phosphating
0201247	5/8 "	38	24	24	Phosphating
0201248	11/16 "	38	26	26	Phosphating
0201249	3/4 "	38	28	28	Phosphating
0201250	13/16 "	38	30	30	Phosphating
0201251	7/8 "	38	32	30	Phosphating
0201252	15/16 "	38	34	30	Phosphating
0201253	1 "	40	36	30	Phosphating
0201254	1-1/16 "	40	38	30	Phosphating
0201255	1-1/8 "	44	40	34	Phosphating
0201256	1-3/16 "	44	42	34	Phosphating
0201257	1-1/4 "	44	44	34	Phosphating
0201258	1-5/16 "	46	45	36	Phosphating
0201259	1-3/8 "	46	48	36	Phosphating
0201260	1-7/16 "	46	51	40	Phosphating
0201261	1-1/2 "	46	53	40	Phosphating

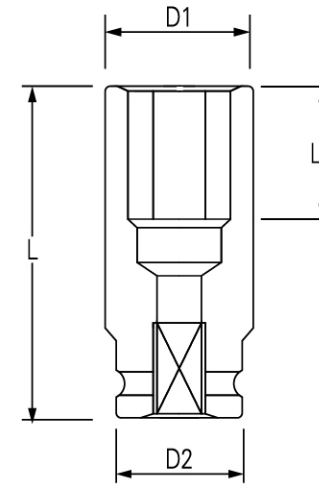
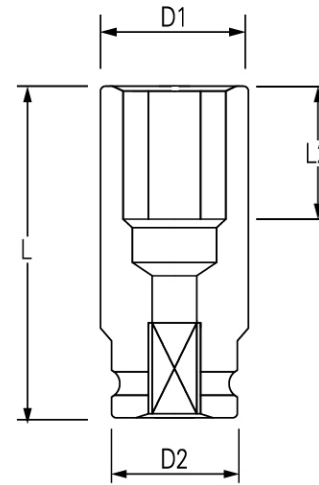
- 套筒  
Impact  
Sockets
- 3/8 "
- P1-2
- 1/2 "
- P3-11
- 3/4 "
- P12-20
- 1 "
- P21-29
- 1-1/2 "
- P30-31
- 2-1/2 "
- P32
- 旋具套筒  
Hex Impact  
Socket Bit
- P33-36
- 万向节  
Universal  
Joints  
转换头  
Impact  
Adaptor
- P37-38
- 接杆弯杆  
杆类附件  
Extension  
Bar&Tools&  
Accessories
- P39-40
- 棘轮  
Ratchet  
Wrench
- P41
- 套装  
Impact  
Socket Set
- P42-65
- 大车  
专用工具  
Axle Head  
Socket
- P66

# 1/2" DEEP IMPACT SOCKETS

1/2" 六角公制加长套筒

# 1/2" DEEP IMPACT SOCKETS

1/2" 六角英制加长套筒



- 套筒  
Impact  
Sockets
- 3/8 "
- P1-2
- 1/2 "
- P3-11
- 3/4 "
- P12-20
- 1 "
- P21-29
- 1-1/2 "
- P30-31
- 2-1/2 "
- P32
- 旋具套筒  
Hex Impact  
Socket Bit
- P33-36
- 万向节  
Universal  
Joints  
转换头  
Impact  
Adaptor
- P37-38
- 接杆弯杆  
杆类附件  
Extension  
Bar&Tools&  
Accessories
- P39-40
- 棘轮  
Ratchet  
Wrench
- P41
- 套装  
Impact  
Socket Set
- P42-65
- 大车  
专用工具  
Axle Head  
Socket
- P66

Order NO.	Size	L±0.5	D1±0.2	D2±0.2	Surface
0301208	8mm	78	15	24	Phosphating
0301209	9mm	78	16.5	24	Phosphating
0301210	10mm	78	17.5	24	Phosphating
0301211	11mm	78	18.5	24	Phosphating
0301212	12mm	78	19.5	24	Phosphating
0301213	13mm	78	20.5	24	Phosphating
0301214	14mm	78	22	24	Phosphating
0301215	15mm	78	23	24	Phosphating
0301216	16mm	78	24	24	Phosphating
0301217	17mm	78	26	26	Phosphating
0301218	18mm	78	26.5	28	Phosphating
0301219	19mm	78	28	28	Phosphating
0301220	20mm	78	29	30	Phosphating
0301221	21mm	78	30	30	Phosphating
0301222	22mm	78	32	30	Phosphating
0301223	23mm	78	34	30	Phosphating
0301224	24mm	78	34	30	Phosphating
0301225	25mm	78	36	30	Phosphating
0301226	26mm	78	36	30	Phosphating
0301227	27mm	78	38	30	Phosphating
0301228	28mm	78	38	30	Phosphating
0301229	29mm	78	40	34	Phosphating
0301230	30mm	78	42	34	Phosphating
0301231	31mm	78	42	34	Phosphating
0301232	32mm	78	44	34	Phosphating
0301233	33mm	78	45	36	Phosphating
0301234	34mm	78	46	36	Phosphating
0301235	35mm	78	48	36	Phosphating
0301236	36mm	78	51	40	Phosphating
0301237	37mm	78	51	40	Phosphating
0301238	38mm	78	53	40	Phosphating
0301239	39mm	78	54	40	Phosphating
0301240	40mm	78	55	40	Phosphating
0301241	41mm	78	57	40	Phosphating
0301246	46mm	78	63	46	Phosphating

Order NO.	Size	L±0.5	D1±0.2	D2±0.2	Surface
0301247	5/16 "	78	15	24	Phosphating
0301248	3/8 "	78	16.5	24	Phosphating
0301249	7/16 "	78	18.5	24	Phosphating
0301250	1/2 "	78	19.5	24	Phosphating
0301251	9/16 "	78	22	24	Phosphating
0301252	5/8 "	78	24	24	Phosphating
0301253	11/16 "	78	26	26	Phosphating
0301254	3/4 "	78	28	28	Phosphating
0301255	13/16 "	78	30	30	Phosphating
0301256	7/8 "	78	32	30	Phosphating
0301257	15/16 "	78	34	30	Phosphating
0301258	1 "	78	36	30	Phosphating
0301259	1-1/16 "	78	38	30	Phosphating
0301260	1-1/8 "	78	40	34	Phosphating
0301261	1-3/16 "	78	42	34	Phosphating
0301262	1-1/4 "	78	44	34	Phosphating
0301263	1-5/16 "	78	45	36	Phosphating
0301264	1-3/8 "	78	48	36	Phosphating
0301265	1-7/16 "	78	51	40	Phosphating
0301266	1-1/2 "	78	53	40	Phosphating
<b>1/2" 78L-SCM440 THIN</b>					
Order NO.	Size	L±0.5	D1±0.2	D2±0.2	Surface
0311217	17mm	78	23.5	28	Phosphating
0311218	18mm	78	25	28	Phosphating
0311219	19mm	78	26	28	Phosphating
0311221	21mm	78	28	31	Phosphating
0311222	22mm	78	29	32	Phosphating
0311223	23mm	78	30	32	Phosphating

- 套筒  
Impact  
Sockets
- 3/8 "
- P1-2
- 1/2 "
- P3-11
- 3/4 "
- P12-20
- 1 "
- P21-29
- 1-1/2 "
- P30-31
- 2-1/2 "
- P32
- 旋具套筒  
Hex Impact  
Socket Bit
- P33-36
- 万向节  
Universal  
Joints  
转换头  
Impact  
Adaptor
- P37-38
- 接杆弯杆  
杆类附件  
Extension  
Bar&Tools&  
Accessories
- P39-40
- 棘轮  
Ratchet  
Wrench
- P41
- 套装  
Impact  
Socket Set
- P42-65
- 大车  
专用工具  
Axle Head  
Socket
- P66

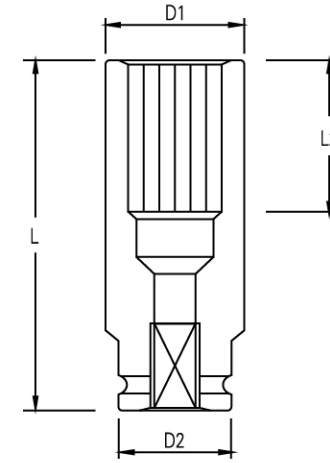
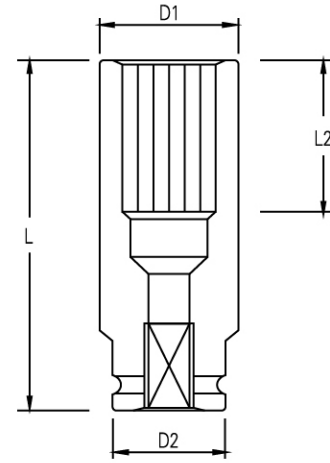
# 1/2" DEEP IMPACT SOCKETS

1/2" 梅花公制加长套筒

# 1/2" DEEP IMPACT SOCKETS

1/2" 梅花英制加长套筒

- 套筒  
Impact  
Sockets
- 3/8 "
- P1-2
- 1/2 "
- P3-11
- 3/4 "
- P12-20
- 1 "
- P21-29
- 1-1/2 "
- P30-31
- 2-1/2 "
- P32
- 旋具套筒  
Hex Impact  
Socket Bit
- P33-36
- 万向节  
Universal  
Joints  
转换头  
Impact  
Adaptor
- P37-38
- 接杆弯杆  
杆类附件  
Extension  
Bar&Tools&  
Accessories
- P39-40
- 棘轮  
Ratchet  
Wrench
- P41
- 套装  
Impact  
Socket Set
- P42-65
- 大车  
专用工具  
Axle Head  
Socket
- P66



- 套筒  
Impact  
Sockets
- 3/8 "
- P1-2
- 1/2 "
- P3-11
- 3/4 "
- P12-20
- 1 "
- P21-29
- 1-1/2 "
- P30-31
- 2-1/2 "
- P32
- 旋具套筒  
Hex Impact  
Socket Bit
- P33-36
- 万向节  
Universal  
Joints  
转换头  
Impact  
Adaptor
- P37-38
- 接杆弯杆  
杆类附件  
Extension  
Bar&Tools&  
Accessories
- P39-40
- 棘轮  
Ratchet  
Wrench
- P41
- 套装  
Impact  
Socket Set
- P42-65
- 大车  
专用工具  
Axle Head  
Socket
- P66

Order NO.	Size	L±0.5	D1±0.2	D2±0.2	Surface
0401208	8mm	78	15	24	Phosphating
0401209	9mm	78	16.5	24	Phosphating
0401210	10mm	78	17.5	24	Phosphating
0401211	11mm	78	18.5	24	Phosphating
0401212	12mm	78	19.5	24	Phosphating
0401213	13mm	78	20.5	24	Phosphating
0401214	14mm	78	22	24	Phosphating
0401215	15mm	78	23	24	Phosphating
0401216	16mm	78	24	24	Phosphating
0401217	17mm	78	26	26	Phosphating
0401218	18mm	78	26.5	28	Phosphating
0401219	19mm	78	28	28	Phosphating
0401220	20mm	78	29	30	Phosphating
0401221	21mm	78	30	30	Phosphating
0401222	22mm	78	32	30	Phosphating
0401223	23mm	78	34	30	Phosphating
0401224	24mm	78	34	30	Phosphating
0401225	25mm	78	36	30	Phosphating
0401226	26mm	78	36	30	Phosphating
0401227	27mm	78	38	30	Phosphating
0401228	28mm	78	38	30	Phosphating
0401229	29mm	78	40	34	Phosphating
0401230	30mm	78	42	34	Phosphating
0401231	31mm	78	42	34	Phosphating
0401232	32mm	78	44	34	Phosphating
0401233	33mm	78	45	36	Phosphating
0401234	34mm	78	46	36	Phosphating
0401235	35mm	78	48	36	Phosphating
0401236	36mm	78	51	40	Phosphating
0401237	37mm	78	51	40	Phosphating
0401238	38mm	78	53	40	Phosphating
0401239	39mm	78	54	40	Phosphating
0401240	40mm	78	55	40	Phosphating
0401241	41mm	78	57	40	Phosphating
0401246	46mm	78	63	46	Phosphating

Order NO.	Size	L±0.5	D1±0.2	D2±0.2	Surface
0401247	5/16 "	78	15	24	Phosphating
0401248	3/8 "	78	16.5	24	Phosphating
0401249	7/16 "	78	18.5	24	Phosphating
0401250	1/2 "	78	19.5	24	Phosphating
0401251	9/16 "	78	22	24	Phosphating
0401252	5/8 "	78	24	24	Phosphating
0401253	11/16 "	78	26	26	Phosphating
0401254	3/4 "	78	28	28	Phosphating
0401255	13/16 "	78	30	30	Phosphating
0401256	7/8 "	78	32	30	Phosphating
0401257	15/16 "	78	34	30	Phosphating
0401258	1 "	78	36	30	Phosphating
0401259	1-1/16 "	78	38	30	Phosphating
0401260	1-1/8 "	78	40	34	Phosphating
0401261	1-3/16 "	78	42	34	Phosphating
0401262	1-1/4 "	78	44	34	Phosphating
0401263	1-5/16 "	78	45	36	Phosphating
0401264	1-3/8 "	78	48	36	Phosphating
0401265	1-7/16 "	78	51	40	Phosphating
0401266	1-1/2 "	78	53	40	Phosphating

# 1/2" EXTRA DEEP IMPACT SOCKETS

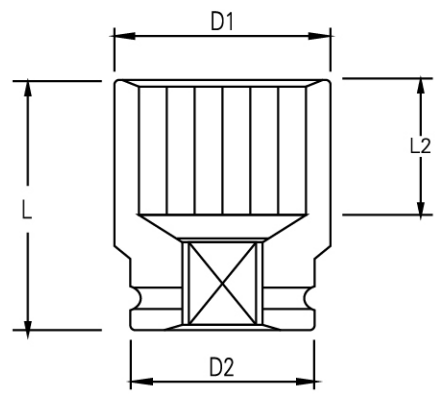
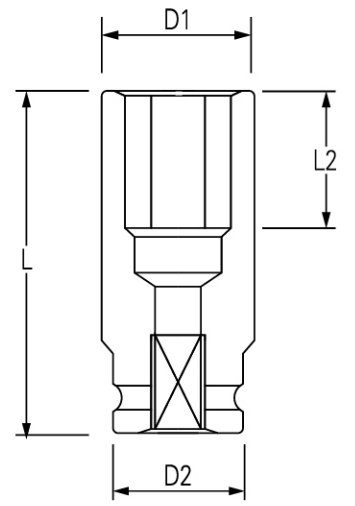
1/2" 六角特长套筒

# 3/4" IMPACT SOCKETS

3/4" 梅花标准套筒

- 套筒  
Impact  
Sockets
- 3/8"
- P1-2
- 1/2"
- P3-11
- 3/4"
- P12-20
- 1"
- P21-29
- 1-1/2"
- P30-31
- 2-1/2"
- P32
- 旋具套筒  
Hex Impact  
Socket Bit
- P33-36
- 万向节  
Universal  
Joints  
转换头  
Impact  
Adaptor
- P37-38
- 接杆弯杆  
杆类附件  
Extension  
Bar&Tools&  
Accessories
- P39-40
- 棘轮  
Ratchet  
Wrench
- P41
- 套装  
Impact  
Socket Set
- P42-65
- 大车  
专用工具  
Axle Head  
Socket
- P66

- 套筒  
Impact  
Sockets
- 3/8"
- P1-2
- 1/2"
- P3-11
- 3/4"
- P12-20
- 1"
- P21-29
- 1-1/2"
- P30-31
- 2-1/2"
- P32
- 旋具套筒  
Hex Impact  
Socket Bit
- P33-36
- 万向节  
Universal  
Joints  
转换头  
Impact  
Adaptor
- P37-38
- 接杆弯杆  
杆类附件  
Extension  
Bar&Tools&  
Accessories
- P39-40
- 棘轮  
Ratchet  
Wrench
- P41
- 套装  
Impact  
Socket Set
- P42-65
- 大车  
专用工具  
Axle Head  
Socket
- P66



Order NO.	Size	L±0.5	D1±0.2	D2±0.2	Surface
0501224	24mm	120	36	30	Phosphating
0501227	27mm	120	39	30	Phosphating
0501230	30mm	120	42	35	Phosphating
0501232	32mm	120	46	35	Phosphating
0501233	33mm	120	47	35	Phosphating
0501234	34mm	120	48	35	Phosphating
0501235	35mm	120	49	35	Phosphating
0501236	36mm	120	51	38	Phosphating
0501238	38mm	120	53	38	Phosphating
0501241	41mm	120	57	38	Phosphating
0501246	46mm	120	63	44	Phosphating

Order NO.	Size	L±0.5	D1±0.2	D2±0.2	Surface
0703416	16mm	56	26	38	Phosphating
0703417	17mm	56	27	38	Phosphating
0703418	18mm	56	28	38	Phosphating
0703419	19mm	56	30	38	Phosphating
0703420	20mm	56	31	38	Phosphating
0703421	21mm	56	33	38	Phosphating
0703422	22mm	56	34	38	Phosphating
0703423	23mm	56	35	38	Phosphating
0703424	24mm	56	36	38	Phosphating
0703425	25mm	56	37	38	Phosphating
0703426	26mm	56	38	40	Phosphating
0703427	27mm	56	40	40	Phosphating
0703428	28mm	56	40	40	Phosphating
0703429	29mm	56	41	40	Phosphating
0703430	30mm	60	42	41	Phosphating
0703431	31mm	60	43	41	Phosphating
0703432	32mm	60	44	41	Phosphating
0703433	33mm	60	45	41	Phosphating
0703434	34mm	60	46	42	Phosphating
0703435	35mm	60	47	42	Phosphating
0703436	36mm	60	48	42	Phosphating
0703437	37mm	60	49	42	Phosphating
0703438	38mm	60	52	44	Phosphating
0703439	39mm	60	52	44	Phosphating
0703440	40mm	62	54	44	Phosphating
0703441	41mm	63	55	44	Phosphating
0703442	42mm	63	58	44	Phosphating
0703443	43mm	63	63	44	Phosphating
0703444	44mm	63	64	44	Phosphating
0703445	45mm	63	64	44	Phosphating
0703446	46mm	68	64	44	Phosphating
0703447	47mm	68	65	44	Phosphating
0703448	48mm	68	68	44	Phosphating
0703449	49mm	68	68	47	Phosphating
0703450	50mm	72	68	47	Phosphating
0703452	52mm	72	73	50	Phosphating
0703454	54mm	72	78	50	Phosphating
0703455	55mm	74	78	50	Phosphating
0703457	57mm	74	83	50	Phosphating
0703458	58mm	74	83	50	Phosphating
0703460	60mm	80	83	50	Phosphating
0703465	65mm	80	88	54	Phosphating

Order NO.	Size	L±0.5	D1±0.2	D2±0.2	Surface
0501224	24mm	160	36	30	Phosphating
0501227	27mm	160	39	30	Phosphating
0501230	30mm	160	42	35	Phosphating
0501232	32mm	160	46	35	Phosphating
0501233	33mm	160	47	35	Phosphating
0501234	34mm	160	48	35	Phosphating
0501235	35mm	160	49	35	Phosphating
0501236	36mm	160	51	38	Phosphating
0501238	38mm	160	53	38	Phosphating
0501241	41mm	160	57	38	Phosphating
0501246	46mm	160	63	44	Phosphating

Order NO.	Size	L±0.5	D1±0.2	D2±0.2	Surface
0703416	16mm	56	26	38	Phosphating
0703417	17mm	56	27	38	Phosphating
0703418	18mm	56	28	38	Phosphating
0703419	19mm	56	30	38	Phosphating
0703420	20mm	56	31	38	Phosphating
0703421	21mm	56	33	38	Phosphating
0703422	22mm	56	34	38	Phosphating
0703423	23mm	56	35	38	Phosphating
0703424	24mm	56	36	38	Phosphating
0703425	25mm	56	37	38	Phosphating
0703426	26mm	56	38	40	Phosphating
0703427	27mm	56	40	40	Phosphating
0703428	28mm	56	40	40	Phosphating
0703429	29mm	56	41	40	Phosphating
0703430	30mm	60	42	41	Phosphating
0703431	31mm	60	43	41	Phosphating
0703432	32mm	60	44	41	Phosphating
0703433	33mm	60	45	41	Phosphating
0703434	34mm	60	46	42	Phosphating
0703435	35mm	60	47	42	Phosphating
0703436	36mm	60	48	42	Phosphating
0703437	37mm	60	49	42	Phosphating
0703438	38mm	60	52	44	Phosphating
0703439	39mm	60	52	44	Phosphating
0703440	40mm	62	54	44	Phosphating
0703441	41mm	63	55	44	Phosphating
0703442	42mm	63	58	44	Phosphating
0703443	43mm	63	63	44	Phosphating
0703444	44mm	63	64	44	Phosphating
0703445	45mm	63	64	44	Phosphating
0703446	46mm	68	64	44	Phosphating
0703447	47mm	68	65	44	Phosphating
0703448	48mm	68	68	44	Phosphating
0703449	49mm	68	68	47	Phosphating
0703450	50mm	72	68	47	Phosphating
0703452	52mm	72	73	50	Phosphating
0703454	54mm	72	78	50	Phosphating
0703455	55mm	74	78	50	Phosphating
0703457	57mm	74	83	50	Phosphating
0703458	58mm	74	83	50	Phosphating
0703460	60mm	80	83	50	Phosphating
0703465	65mm	80	88	54	Phosphating

Order NO.	Size	L±0.5	D1±0.2	D2±0.2	Surface
0501224	24mm	200	36	30	Phosphating
0501227	27mm	200	39	30	Phosphating
0501230	30mm	200	42	35	Phosphating
0501232	32mm	200	46	35	Phosphating
0501233	33mm	200	47	35	Phosphating
0501234	34mm	200	48	35	Phosphating
0501235	35mm	200	49	35	Phosphating
0501236	36mm	200	51	38	Phosphating
0501238	38mm	200	53	38	Phosphating
0501241	41mm	200	57	38	Phosphating
0501246	46mm	200	63	44	Phosphating

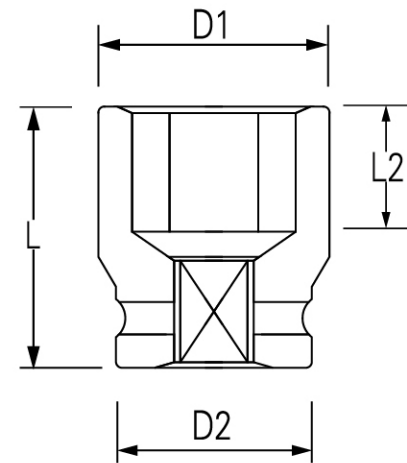
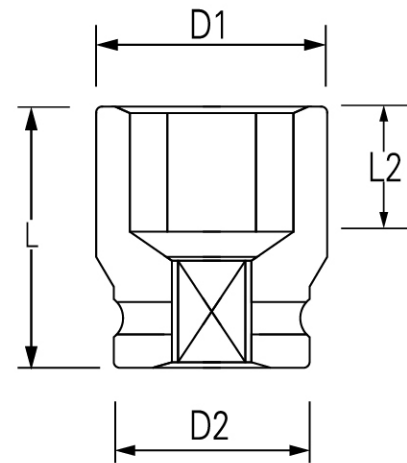
Order NO.	Size	L±0.5	D1±0.2	D2±0.2	Surface
0703416	16mm	56	26	38	Phosphating
0703417	17mm	56	27	38	Phosphating
0703418	18mm	56	28	38	Phosphating
0703419	19mm	56	30	38	Phosphating
0703420	20mm	56	31	38	Phosphating
0703421	21mm	56	33	38	Phosphating
0703422	22mm	56	34	38	Phosphating
0703423	23mm	56	35	38	Phosphating
0703424	24mm	56	36	38	Phosphating
0703425	25mm	56	37	38	Phosphating
0703426	26mm	56	38	40	Phosphating
0703427	27mm	56	40	40	Phosphating
0703428	28mm	56	40	40	Phosphating
0703429	29mm	56	41	40	Phosphating
0703430	30mm	60	42	41	Phosphating
0703431	31mm	60	43	41	Phosphating
0703432	32mm	60	44	41	Phosphating
0703433	33mm	60	45	41	Phosphating
0703434	34mm	60	46	42	Phosphating
0703435	35mm	60	47	42	Phosphating
0703436	36mm	60	48	42	Phosphating
0703437	37mm	60	49	42	Phosphating
0703438	38mm	60	52	44	Phosphating
0703439	39mm	60	52	44	Phosphating
0703440	40mm	62	54	44	Phosphating
0703441	41mm	63	55	44	Phosphating
0703442	42mm	63	58	44	Phosphating
0703443	43mm	63	63	44	Phosphating
0703444	44mm	63	64	44	Phosphating
0703445	45mm	63	64	44	Phosphating
0703446	46mm	68	64	44	Phosphating
0703447	47mm	68	65	44	Phosphating
0703448	48mm	68	68	44	Phosphating
0703449	49mm	68	68	47	Phosphating
0703450	50mm	72	68	47	Phosphating
0703452	52mm	72	73	50	Phosphating
0703454	54mm	72	78	50	Phosphating
0703455	55mm	74	78	50	Phosphating
0703457	57mm	74	83	50	Phosphating
0703458	58mm	74	83	50	Phosphating
0703460	60mm	80	83	50	Phosphating
0703465	65mm	80	88	54	Phosphating

# 3/4" IMPACT SOCKETS

3/4" 六角公制标准套筒

# 3/4" IMPACT SOCKETS

3/4" 六角英制标准套筒



- 套筒  
Impact  
Sockets
- 3/8 "
- P1-2
- 1/2 "
- P3-11
- 3/4 "
- P12-20
- 1 "
- P21-29
- 1-1/2 "
- P30-31
- 2-1/2 "
- P32
- 旋具套筒  
Hex Impact  
Socket Bit
- P33-36
- 万向节  
Universal  
Joints
- 转换头  
Impact  
Adaptor
- P37-38
- 接杆弯杆  
杆类附件  
Extension  
Bar&Tools&  
Accessories
- P39-40
- 棘轮  
Ratchet  
Wrench
- P41
- 套装  
Impact  
Socket Set
- P42-65
- 大车  
专用工具  
Axle Head  
Socket
- P66

Order NO.	Size	L±0.5	D1±0.2	D2±0.2	Surface
0603416	16mm	56	29	38	Phosphating
0603417	17mm	56	30	38	Phosphating
0603418	18mm	56	31	38	Phosphating
0603419	19mm	56	32	38	Phosphating
0603420	20mm	56	33	38	Phosphating
0603421	21mm	56	34	38	Phosphating
0603422	22mm	56	35	38	Phosphating
0603423	23mm	56	37	38	Phosphating
0603424	24mm	56	38	38	Phosphating
0603425	25mm	56	40	40	Phosphating
0603426	26mm	56	40	40	Phosphating
0603427	27mm	56	41	41	Phosphating
0603428	28mm	56	42.5	42.5	Phosphating
0603429	29mm	56	44	41	Phosphating
0603430	30mm	60	45	41	Phosphating
0603431	31mm	60	46	41	Phosphating
0603432	32mm	60	47	41	Phosphating
0603433	33mm	60	49	41	Phosphating
0603434	34mm	60	50	42	Phosphating
0603435	35mm	60	51	42	Phosphating
0603436	36mm	60	52	42	Phosphating
0603437	37mm	60	53	42	Phosphating
0603438	38mm	60	54	44	Phosphating
0603439	39mm	60	55	44	Phosphating
0603440	40mm	60	56	44	Phosphating
0603441	41mm	60	58	44	Phosphating
0603442	42mm	62	59	44	Phosphating
0603443	43mm	63	63	44	Phosphating
0603444	44mm	63	64	44	Phosphating
0603445	45mm	63	64	44	Phosphating
0603446	46mm	68	64	44	Phosphating
0603447	47mm	68	65	44	Phosphating
0603448	48mm	68	68	44	Phosphating
0603449	49mm	68	68	47	Phosphating
0603450	50mm	72	68	47	Phosphating
0603452	52mm	72	73	50	Phosphating
0603454	54mm	72	78	50	Phosphating
0603455	55mm	74	78	50	Phosphating
0603457	57mm	74	83	50	Phosphating
0603458	58mm	74	83	50	Phosphating
0603460	60mm	80	83	50	Phosphating
0603465	65mm	80	88	54	Phosphating

Order NO.	Size	L±0.5	D1±0.2	D2±0.2	Surface
0603451	11/16 "	56	30	38	Phosphating
0603452	3/4 "	56	32	38	Phosphating
0603453	13/16 "	56	34	38	Phosphating
0603454	7/8 "	56	35	38	Phosphating
0603455	15/16 "	56	38	38	Phosphating
0603456	1 "	56	40	40	Phosphating
0603457	1-1/16 "	56	41	41	Phosphating
0603458	1-1/8 "	56	44	41	Phosphating
0603459	1-3/16 "	60	45	41	Phosphating
0603460	1-1/4 "	60	47	41	Phosphating
0603461	1-5/16 "	60	49	41	Phosphating
0603462	1-3/8 "	60	51	42	Phosphating
0603463	1-7/16 "	60	53	42	Phosphating
0603464	1-1/2 "	60	54	44	Phosphating
0603465	1-9/16 "	60	56	44	Phosphating
0603466	1-5/8 "	60	58	44	Phosphating
0603467	1-11/16 "	63	63	44	Phosphating
0603468	1-3/4 "	63	64	44	Phosphating
0603469	1-13/16 "	68	64	44	Phosphating
0603470	1-7/8 "	68	68	44	Phosphating
0603471	1-15/16 "	68	68	47	Phosphating
0603473	2-1/16 "	72	73	50	Phosphating
0603474	2-1/8 "	72	78	50	Phosphating

- 套筒  
Impact  
Sockets
- 3/8 "
- P1-2
- 1/2 "
- P3-11
- 3/4 "
- P12-20
- 1 "
- P21-29
- 1-1/2 "
- P30-31
- 2-1/2 "
- P32
- 旋具套筒  
Hex Impact  
Socket Bit
- P33-36
- 万向节  
Universal  
Joints
- 转换头  
Impact  
Adaptor
- P37-38
- 接杆弯杆  
杆类附件  
Extension  
Bar&Tools&  
Accessories
- P39-40
- 棘轮  
Ratchet  
Wrench
- P41
- 套装  
Impact  
Socket Set
- P42-65
- 大车  
专用工具  
Axle Head  
Socket
- P66

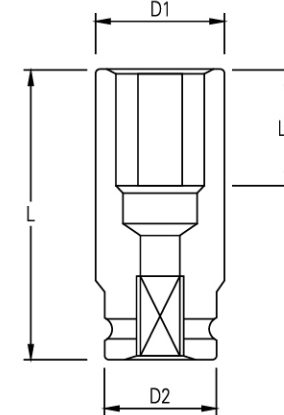
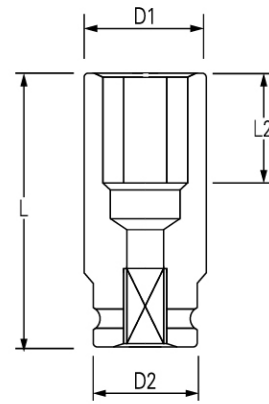
# 3/4" DEEP IMPACT SOCKETS

3/4" 六角公制加长套筒

# 3/4" DEEP IMPACT SOCKETS

3/4" 六角英制加长套筒

- 套筒  
Impact  
Sockets
- 3/8 "
- P1-2
- 1/2 "
- P3-11
- 3/4 "
- P12-20
- 1 "
- P21-29
- 1-1/2 "
- P30-31
- 2-1/2 "
- P32
- 旋具套筒  
Hex Impact  
Socket Bit
- P33-36
- 万向节  
Universal  
Joints  
转换头  
Impact  
Adaptor
- P37-38
- 接杆弯杆  
杆类附件  
Extension  
Bar&Tools&  
Accessories
- P39-40
- 棘轮  
Ratchet  
Wrench
- P41
- 套装  
Impact  
Socket Set
- P42-65
- 大车  
专用工具  
Axle Head  
Socket
- P66



Order NO.	Size	L±0.5	D1±0.2	D2±0.2	Surface
0803417	17mm	80	31	38	Phosphating
0803418	18mm	80	32	38	Phosphating
0803419	19mm	80	33	38	Phosphating
0803420	20mm	80	34	38	Phosphating
0803421	21mm	80	35	38	Phosphating
0803422	22mm	80	36	38	Phosphating
0803423	23mm	80	37	38	Phosphating
0803424	24mm	80	38	38	Phosphating
0803425	25mm	80	39	39	Phosphating
0803426	26mm	80	41	41	Phosphating
0803427	27mm	80	41	41	Phosphating
0803428	28mm	80	42.5	41	Phosphating
0803429	29mm	80	43.5	41	Phosphating
0803430	30mm	80	46	41	Phosphating
0803431	31mm	80	47	41	Phosphating
0803432	32mm	80	48	41	Phosphating
0803433	33mm	80	49	41	Phosphating
0803434	34mm	80	50	41	Phosphating
0803435	35mm	80	51	44	Phosphating
0803436	36mm	80	52	44	Phosphating
0803437	37mm	80	53	44	Phosphating
0803438	38mm	80	54	44	Phosphating
0803439	39mm	80	55	44	Phosphating
0803440	40mm	80	56	44	Phosphating
0803441	41mm	80	58	44	Phosphating
0803442	42mm	80	59	44	Phosphating
0803443	43mm	80	63	44	Phosphating
0803444	44mm	80	64	44	Phosphating
0803445	45mm	80	64	44	Phosphating
0803446	46mm	80	64	44	Phosphating
0803447	47mm	80	65	44	Phosphating
0803448	48mm	80	68	44	Phosphating
0803449	49mm	80	68	47	Phosphating
0803450	50mm	80	68	47	Phosphating
0803452	52mm	80	73	50	Phosphating
0803454	54mm	80	78	50	Phosphating
0803455	55mm	80	78	50	Phosphating
0803457	57mm	80	83	50	Phosphating
0803458	58mm	80	83	50	Phosphating
0803460	60mm	80	83	50	Phosphating
0803465	65mm	80	88	54	Phosphating
0803470	70mm	90	93	62	Phosphating
0803475	75mm	90	103	62	Phosphating
0803480	80mm	90	107	62	Phosphating
0803485	85mm	90	117	72	Phosphating
0803490	90mm	90	123	72	Phosphating
0803495	95mm	90	127	72	Phosphating
08034100	100mm	90	137	72	Phosphating
08034105	105mm	90	145	72	Phosphating

Order NO.	Size	L±0.5	D1±0.2	D2±0.2	Surface
0803486	11/16 "	80	31	38	Phosphating
0803487	3/4 "	80	33	38	Phosphating
0803488	13/16 "	80	35	38	Phosphating
0803489	7/8 "	80	36	38	Phosphating
0803490	15/16 "	80	38	38	Phosphating
0803491	1 "	80	39	39	Phosphating
0803492	1-1/16 "	80	41	41	Phosphating
0803493	1-1/8 "	80	43.5	41	Phosphating
0803494	1-3/16 "	80	46	41	Phosphating
0803495	1-1/4 "	80	48	41	Phosphating
0803496	1-5/16 "	80	49	41	Phosphating
0803497	1-3/8 "	80	51	44	Phosphating
0803498	1-7/16 "	80	53	44	Phosphating
0803499	1-1/2 "	80	54	44	Phosphating
0834100	1-9/16 "	80	56	44	Phosphating
0834101	1-5/8 "	80	58	44	Phosphating
0834102	1-11/16 "	80	63	44	Phosphating
0834103	1-3/4 "	80	64	44	Phosphating
0834104	1-13/16 "	80	64	44	Phosphating
0834105	1-7/8 "	80	68	44	Phosphating
0834106	1-15/16 "	80	68	47	Phosphating
0834108	2-1/16 "	80	73	50	Phosphating
0834109	2-1/8 "	80	78	50	Phosphating

- 套筒  
Impact  
Sockets
- 3/8 "
- P1-2
- 1/2 "
- P3-11
- 3/4 "
- P12-20
- 1 "
- P21-29
- 1-1/2 "
- P30-31
- 2-1/2 "
- P32
- 旋具套筒  
Hex Impact  
Socket Bit
- P33-36
- 万向节  
Universal  
Joints  
转换头  
Impact  
Adaptor
- P37-38
- 接杆弯杆  
杆类附件  
Extension  
Bar&Tools&  
Accessories
- P39-40
- 棘轮  
Ratchet  
Wrench
- P41
- 套装  
Impact  
Socket Set
- P42-65
- 大车  
专用工具  
Axle Head  
Socket
- P66

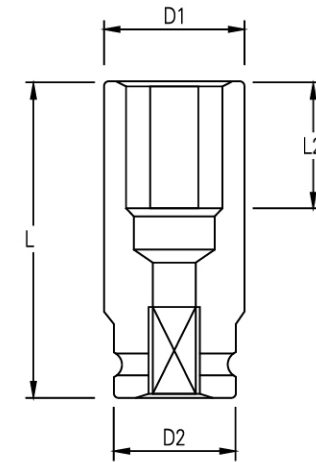
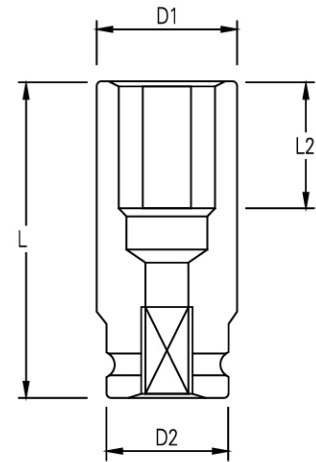
# 3/4" DEEP IMPACT SOCKETS

3/4" 六角公制加长套筒

# 3/4" DEEP IMPACT SOCKETS

3/4" 六角英制加长套筒

- 套筒  
Impact  
Sockets
- 3/8 "
- P1-2
- 1/2 "
- P3-11
- 3/4 "
- P12-20
- 1 "
- P21-29
- 1-1/2 "
- P30-31
- 2-1/2 "
- P32
- 旋具套筒  
Hex Impact  
Socket Bit
- P33-36
- 万向节  
Universal  
Joints  
转换头  
Impact  
Adaptor
- P37-38
- 接杆弯杆  
杆类附件  
Extension  
Bar&Tools&  
Accessories
- P39-40
- 棘轮  
Ratchet  
Wrench
- P41
- 套装  
Impact  
Socket Set
- P42-65
- 大车  
专用工具  
Axle Head  
Socket
- P66



- 套筒  
Impact  
Sockets
- 3/8 "
- P1-2
- 1/2 "
- P3-11
- 3/4 "
- P12-20
- 1 "
- P21-29
- 1-1/2 "
- P30-31
- 2-1/2 "
- P32
- 旋具套筒  
Hex Impact  
Socket Bit
- P33-36
- 万向节  
Universal  
Joints  
转换头  
Impact  
Adaptor
- P37-38
- 接杆弯杆  
杆类附件  
Extension  
Bar&Tools&  
Accessories
- P39-40
- 棘轮  
Ratchet  
Wrench
- P41
- 套装  
Impact  
Socket Set
- P42-65
- 大车  
专用工具  
Axle Head  
Socket
- P66

Order NO.	Size	L±0.5	D1±0.2	D2±0.2	Surface
0903417	17mm	90	31	38	Phosphating
0903418	18mm	90	32	38	Phosphating
0903419	19mm	90	33	38	Phosphating
0903420	20mm	90	34	38	Phosphating
0903421	21mm	90	35	38	Phosphating
0903422	22mm	90	36	38	Phosphating
0903423	23mm	90	37	38	Phosphating
0903424	24mm	90	38	38	Phosphating
0903425	25mm	90	39	39	Phosphating
0903426	26mm	90	41	41	Phosphating
0903427	27mm	90	41	41	Phosphating
0903428	28mm	90	42.5	41	Phosphating
0903429	29mm	90	43.5	41	Phosphating
0903430	30mm	90	46	41	Phosphating
0903431	31mm	90	47	41	Phosphating
0903432	32mm	90	48	41	Phosphating
0903433	33mm	90	49	41	Phosphating
0903434	34mm	90	50	41	Phosphating
0903435	35mm	90	51	44	Phosphating
0903436	36mm	90	52	44	Phosphating
0903437	37mm	90	53	44	Phosphating
0903438	38mm	90	54	44	Phosphating
0903439	39mm	90	55	44	Phosphating
0903440	40mm	90	56	44	Phosphating
0903441	41mm	90	58	44	Phosphating
0903442	42mm	90	59	44	Phosphating
0903443	43mm	90	63	44	Phosphating
0903444	44mm	90	64	44	Phosphating
0903445	45mm	90	64	44	Phosphating
0903446	46mm	90	64	44	Phosphating
0903447	47mm	90	65	44	Phosphating
0903448	48mm	90	68	44	Phosphating
0903449	49mm	90	68	47	Phosphating
0903450	50mm	90	68	47	Phosphating
0903452	52mm	90	73	50	Phosphating
0903454	54mm	90	78	50	Phosphating
0903455	55mm	90	78	50	Phosphating
0903457	57mm	90	83	50	Phosphating
0903458	58mm	90	83	50	Phosphating
0903460	60mm	90	83	50	Phosphating
0903465	65mm	90	88	54	Phosphating
0903470	70mm	90	93	62	Phosphating
0903475	75mm	90	103	62	Phosphating
0903480	80mm	90	107	62	Phosphating
0903485	85mm	90	117	72	Phosphating
0903490	90mm	90	123	72	Phosphating
0903495	95mm	90	127	72	Phosphating
09034100	100mm	90	137	72	Phosphating
09034105	105mm	90	145	72	Phosphating

Order NO.	Size	L±0.5	D1±0.2	D2±0.2	Surface
0903471	11/16 "	90	31	38	Phosphating
0903472	3/4 "	90	33	38	Phosphating
0903473	13/16 "	90	35	38	Phosphating
0903474	7/8 "	90	36	38	Phosphating
0903475	15/16 "	90	38	38	Phosphating
0903476	1 "	90	39	39	Phosphating
0903477	1-1/16 "	90	41	41	Phosphating
0903478	1-1/8 "	90	43.5	41	Phosphating
0903479	1-3/16 "	90	46	41	Phosphating
0903480	1-1/4 "	90	48	41	Phosphating
0903481	1-5/16 "	90	49	41	Phosphating
0903482	1-3/8 "	90	51	44	Phosphating
0903483	1-7/16 "	90	53	44	Phosphating
0903484	1-1/2 "	90	54	44	Phosphating
0903485	1-9/16 "	90	56	44	Phosphating
0903486	1-5/8 "	90	58	44	Phosphating
0903487	1-11/16 "	90	63	44	Phosphating
0903488	1-3/4 "	90	64	44	Phosphating
0903489	1-13/16 "	90	64	44	Phosphating
0903490	1-7/8 "	90	68	44	Phosphating
0903491	1-15/16 "	90	68	47	Phosphating
0903493	2-1/16 "	90	73	50	Phosphating
0903494	2-1/8 "	90	78	50	Phosphating

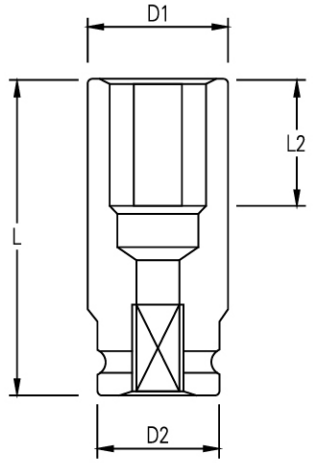
# 3/4" EXTRA DEEP IMPACT SOCKETS

3/4" 六角特长套筒

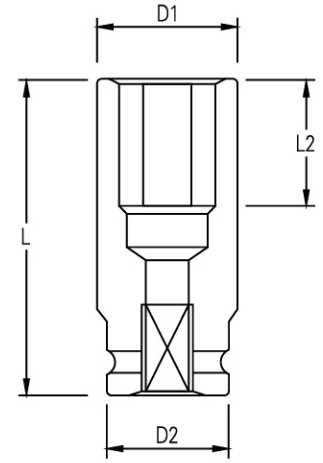
# 3/4" EXTRA DEEP IMPACT SOCKETS

3/4" 六角特长套筒

- 套筒  
Impact  
Sockets
- 3/8"
- P1-2
- 1/2"
- P3-11
- 3/4"
- P12-20
- 1"
- P21-29
- 1-1/2"
- P30-31
- 2-1/2"
- P32
- 旋具套筒  
Hex Impact  
Socket Bit
- P33-36
- 万向节  
Universal  
Joints  
转换头  
Impact  
Adaptor
- P37-38
- 接杆弯杆  
杆类附件  
Extension  
Bar&Tools&  
Accessories
- P39-40
- 棘轮  
Ratchet  
Wrench
- P41
- 套装  
Impact  
Socket Set
- P42-65
- 大车  
专用工具  
Axle Head  
Socket
- P66



Order NO.	Size	L±0.5	D1±0.2	D2±0.2	Surface
1203422	22mm	120	37	39	Phosphating
1203424	24mm	120	39	39	Phosphating
1203427	27mm	120	41.5	41.5	Phosphating
1203430	30mm	120	48.5	44	Phosphating
1203432	32mm	120	49	44	Phosphating
1203433	33mm	120	51	46	Phosphating
1203434	34mm	120	52	46	Phosphating
1203435	35mm	120	53	46	Phosphating
1203436	36mm	120	54	46	Phosphating
1203438	38mm	120	55.5	50	Phosphating
1203441	41mm	120	59	50	Phosphating
1203446	46mm	120	68	54	Phosphating
1203450	50mm	120	73	54	Phosphating
1203455	55mm	120	78	54	Phosphating
1203460	60mm	120	83	54	Phosphating
1203465	65mm	120	88	54	Phosphating
1203470	70mm	120	93	62	Phosphating
1203475	75mm	120	103	62	Phosphating



Order NO.	Size	L±0.5	D1±0.2	D2±0.2	Surface
1603422	22mm	160	37	39	Phosphating
1603424	24mm	160	39	39	Phosphating
1603427	27mm	160	41.5	41.5	Phosphating
1603430	30mm	160	48.5	44	Phosphating
1603432	32mm	160	49	44	Phosphating
1603433	33mm	160	51	46	Phosphating
1603434	34mm	160	52	46	Phosphating
1603435	35mm	160	53	46	Phosphating
1603436	36mm	160	54	46	Phosphating
1603438	38mm	160	55.5	50	Phosphating
1603441	41mm	160	59	50	Phosphating
1603446	46mm	160	68	54	Phosphating
1603450	50mm	160	73	54	Phosphating
1603455	55mm	160	78	54	Phosphating
1603460	60mm	160	83	54	Phosphating
1603465	65mm	160	88	54	Phosphating
1603470	70mm	160	93	62	Phosphating
1603475	75mm	160	103	62	Phosphating



- 套筒  
Impact  
Sockets
- 3/8"
- P1-2
- 1/2"
- P3-11
- 3/4"
- P12-20
- 1"
- P21-29
- 1-1/2"
- P30-31
- 2-1/2"
- P32
- 旋具套筒  
Hex Impact  
Socket Bit
- P33-36
- 万向节  
Universal  
Joints  
转换头  
Impact  
Adaptor
- P37-38
- 接杆弯杆  
杆类附件  
Extension  
Bar&Tools&  
Accessories
- P39-40
- 棘轮  
Ratchet  
Wrench
- P41
- 套装  
Impact  
Socket Set
- P42-65
- 大车  
专用工具  
Axle Head  
Socket
- P66



管桩专用套筒

30mm 41mm

产品等于人品  
质量就是生命



# 1" IMPACT SOCKETS

1" 六角公制标准套筒

# 1" IMPACT SOCKETS

1" 六角英制标准套筒

套筒  
Impact  
Sockets

3/8"

P1-2

1/2"

P3-11

3/4"

P12-20

1"

P21-29

1-1/2"

P30-31

2-1/2"

P32

旋具套筒  
Hex Impact  
Socket Bit

P33-36

万向节  
Universal  
Joints

转换头  
Impact  
Adaptor

P37-38

接杆弯杆  
杆类附件  
Extension  
Bar&Tools&  
Accessories

P39-40

棘轮  
Ratchet  
Wrench

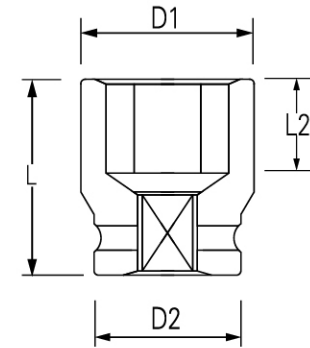
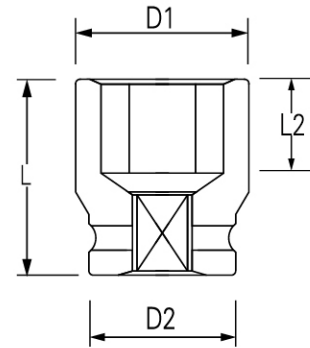
P41

套装  
Impact  
Socket Set

P42-65

大车  
专用工具  
Axle Head  
Socket

P66



套筒  
Impact  
Sockets

3/8"

P1-2

1/2"

P3-11

3/4"

P12-20

1"

P21-29

1-1/2"

P30-31

2-1/2"

P32

旋具套筒  
Hex Impact  
Socket Bit

P33-36

万向节  
Universal  
Joints

转换头  
Impact  
Adaptor

P37-38

接杆弯杆  
杆类附件  
Extension  
Bar&Tools&  
Accessories

P39-40

棘轮  
Ratchet  
Wrench

P41

套装  
Impact  
Socket Set

P42-65

大车  
专用工具  
Axle Head  
Socket

P66

Order NO.	Size	L±0.5	D1±0.2	D2±0.2	Surface
0625019	19mm	58	36	51	Phosphating
0625021	21mm	58	38	51	Phosphating
0625022	22mm	58	39	51	Phosphating
0625023	23mm	58	40	51	Phosphating
0625024	24mm	58	40	51	Phosphating
0625025	25mm	58	41	51	Phosphating
0625026	26mm	58	42.5	51	Phosphating
0625027	27mm	58	44	51	Phosphating
0625028	28mm	58	45	51	Phosphating
0625029	29mm	60	46	51	Phosphating
0625030	30mm	60	48	51	Phosphating
0625031	31mm	60	50	51	Phosphating
0625032	32mm	60	51	51	Phosphating
0625033	33mm	62	53	53	Phosphating
0625034	34mm	62	54	54	Phosphating
0625035	35mm	62	54	54	Phosphating
0625036	36mm	62	56	54	Phosphating
0625037	37mm	62	57	54	Phosphating
0625038	38mm	62	58	54	Phosphating
0625039	39mm	62	59	54	Phosphating
0625040	40mm	62	60	54	Phosphating
0625041	41mm	62	61.5	54	Phosphating
0625042	42mm	64	63	54	Phosphating
0625043	43mm	64	64	54	Phosphating
0625044	44mm	64	65	54	Phosphating
0625045	45mm	64	66	54	Phosphating
0625046	46mm	64	68	54	Phosphating
0625048	48mm	68	70	54	Phosphating
0625049	49mm	68	72	54	Phosphating
0625050	50mm	70	73	54	Phosphating
0625052	52mm	70	75	54	Phosphating
0625053	53mm	70	75	54	Phosphating
0625054	54mm	70	78	54	Phosphating
0625055	55mm	72	79	54	Phosphating
0625057	57mm	75	84	54	Phosphating
0625058	58mm	75	85	54	Phosphating
0625060	60mm	78	87	54	Phosphating
0625063	63mm	80	91	54	Phosphating
0625065	65mm	80	93	54	Phosphating
0625067	67mm	82	95	54	Phosphating
0625070	70mm	85	98	54	Phosphating
0625075	75mm	95	104	86	Phosphating
0625076	76mm	98	106	86	Phosphating
0625080	80mm	100	109	86	Phosphating
0625085	85mm	100	115	86	Phosphating
0625090	90mm	105	125	86	Phosphating

Order NO.	Size	L±0.5	D1±0.2	D2±0.2	Surface
0625121	11/16"	58	34	51	Phosphating
0625122	3/4"	58	36	51	Phosphating
0625123	13/16"	58	38	51	Phosphating
0625124	7/8"	58	39	51	Phosphating
0625125	15/16"	58	40	51	Phosphating
0625126	1"	58	41	51	Phosphating
0625127	1-1/16"	58	44	51	Phosphating
0625128	1-1/8"	60	46	51	Phosphating
0625129	1-3/16"	60	48	51	Phosphating
0625130	1-1/4"	60	51	51	Phosphating
0625131	1-5/16"	62	53	53	Phosphating
0625132	1-3/8"	62	54	54	Phosphating
0625133	1-7/16"	62	57	54	Phosphating
0625134	1-1/2"	62	58	54	Phosphating
0625135	1-9/16"	62	60	54	Phosphating
0625136	1-5/8"	62	61.5	54	Phosphating
0625137	1-11/16"	62	64	54	Phosphating
0625138	1-3/4"	64	65	54	Phosphating
0625139	1-13/16"	64	68	54	Phosphating
0625140	1-7/8"	68	70	54	Phosphating
0625141	1-15/16"	68	72	54	Phosphating
0625143	2-1/16"	70	75	54	Phosphating
0625144	2-1/8"	70	78	54	Phosphating
0625146	2-1/4"	75	84	54	Phosphating
0625148	2-3/8"	78	87	54	Phosphating
0625151	2-9/16"	80	93	54	Phosphating
0625152	2-5/8"	82	95	54	Phosphating
0625154	2-3/4"	85	98	54	Phosphating
0625158	3"	98	106	86	Phosphating

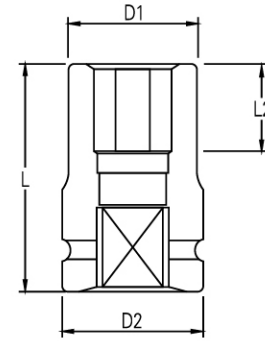
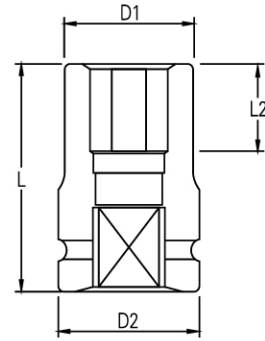
# 1" DEEP IMPACT SOCKETS

1" 六角公制加长套筒

# 1" DEEP IMPACT SOCKETS

1" 六角英制加长套筒

- 套筒  
Impact  
Sockets
- 3/8 "
- P1-2
- 1/2 "
- P3-11
- 3/4 "
- P12-20
- 1 "**
- P21-29
- 1-1/2 "
- P30-31
- 2-1/2 "
- P32
- 旋具套筒  
Hex Impact  
Socket Bit
- P33-36
- 万向节  
Universal  
Joints
- 转换头  
Impact  
Adaptor
- P37-38
- 接杆弯杆  
杆类附件  
Extension  
Bar&Tools&  
Accessories
- P39-40
- 棘轮  
Ratchet  
Wrench
- P41
- 套装  
Impact  
Socket Set
- P42-65
- 大车  
专用工具  
Axle Head  
Socket
- P66



Order NO.	Size	L±0.5	D1±0.2	D2±0.2	Surface
0825017	17mm	80	32	47.5	Phosphating
0825417	17mm-4PT	80	37	47.5	Phosphating
0825018	18mm	80	33	47.5	Phosphating
0825019	19mm	80	34	47.5	Phosphating
0825419	19mm-4PT	80	39	47.5	Phosphating
0825021	21mm	80	37	47.5	Phosphating
0825421	21mm-4PT	80	42	47.5	Phosphating
0825022	22mm	80	38	47.5	Phosphating
0825422	22mm-4PT	80	43	47.5	Phosphating
0825023	23mm	80	40.5	47.5	Phosphating
0825024	24mm	80	41	47.5	Phosphating
0825025	25mm	80	43	47.5	Phosphating
0825026	26mm	80	43	47.5	Phosphating
0825027	27mm	80	44	47.5	Phosphating
0825427	27mm-4PT	80	44	47.5	Phosphating
0825028	28mm	80	45	47.5	Phosphating
0825029	29mm	80	46	48.5	Phosphating
0825030	30mm	80	48.5	48.5	Phosphating
0825430	30mm-4PT	80	48.5	48.5	Phosphating
0825031	31mm	80	48.5	48.5	Phosphating
0825032	32mm	80	51	49	Phosphating
0825033	33mm	80	52	50	Phosphating
0825034	34mm	80	53	51	Phosphating
0825035	35mm	80	54	51	Phosphating
0825036	36mm	80	54.5	51	Phosphating
0825037	37mm	80	55	51	Phosphating
0825038	38mm	80	58	51	Phosphating
0825039	39mm	80	59	51	Phosphating
0825040	40mm	80	59.5	51	Phosphating
0825041	41mm	80	60	51	Phosphating
0825042	42mm	90	63	54	Phosphating
0825043	43mm	90	64	54	Phosphating
0825044	44mm	90	64	54	Phosphating
0825045	45mm	90	64	54	Phosphating
0825046	46mm	90	68	54	Phosphating
0825047	47mm	90	68	54	Phosphating
0825048	48mm	90	69	54	Phosphating
0825050	50mm	90	73	54	Phosphating
0825052	52mm	90	74	54	Phosphating
0825053	53mm	90	77	54	Phosphating
0825054	54mm	90	78	54	Phosphating
0825055	55mm	90	78	54	Phosphating
0825056	56mm	90	78	54	Phosphating
0825057	57mm	90	83	54	Phosphating
0825058	58mm	90	83	54	Phosphating
0825059	59mm	90	83	54	Phosphating
0825060	60mm	90	83	54	Phosphating
0825062	62mm	90	85	54	Phosphating
0825063	63mm	90	88	54	Phosphating
0825064	64mm	90	89	54	Phosphating
0825065	65mm	90	89	54	Phosphating
0825067	67mm	90	92	58	Phosphating
0825068	68mm	90	92	58	Phosphating
0825070	70mm	90	93	62	Phosphating
0825075	75mm	96	103	62	Phosphating
0825080	80mm	100	107	62	Phosphating
0825085	85mm	110	117	72	Phosphating
0825090	90mm	110	123	72	Phosphating
0825095	95mm	120	127	72	Phosphating
0825100	100mm	120	137	72	Phosphating
0825105	105mm	120	145	72	Phosphating

Order NO.	Size	L±0.5	D1±0.2	D2±0.2	Surface
0825121	11/16 "	80	32	47.5	Phosphating
0825122	3/4 "	80	34	47.5	Phosphating
0825123	13/16 "	80	37	47.5	Phosphating
0825124	7/8 "	80	38	47.5	Phosphating
0825125	15/16 "	80	41	47.5	Phosphating
0825126	1 "	80	43	47.5	Phosphating
0825127	1-1/16 "	80	44	47.5	Phosphating
0825128	1-1/8 "	80	46	48.5	Phosphating
0825129	1-3/16 "	80	48.5	48.5	Phosphating
0825130	1-1/4 "	80	51	49	Phosphating
0825131	1-5/16 "	80	52	50	Phosphating
0825132	1-3/8 "	80	54	51	Phosphating
0825133	1-7/16 "	80	55	51	Phosphating
0825134	1-1/2 "	80	58	51	Phosphating
0825135	1-9/16 "	80	59.5	51	Phosphating
0825136	1-5/8 "	80	60	51	Phosphating
0825137	1-11/16 "	90	64	54	Phosphating
0825138	1-3/4 "	90	64	54	Phosphating
0825139	1-13/16 "	90	68	54	Phosphating
0825140	1-7/8 "	90	69	54	Phosphating
0825143	2-1/16 "	90	74	54	Phosphating
0825144	2-1/8 "	90	78	54	Phosphating
0825145	2-3/16 "	90	78	54	Phosphating
0825146	2-1/4 "	90	83	54	Phosphating
0825147	2-5/16 "	90	83	54	Phosphating
0825148	2-3/8 "	90	83	54	Phosphating
0825150	2-1/2 "	90	89	54	Phosphating
0825151	2-9/16 "	90	89	54	Phosphating
0825152	2-5/8 "	90	92	58	Phosphating
0825153	2-11/16 "	90	92	58	Phosphating
0825154	2-3/4 "	90	93	62	Phosphating

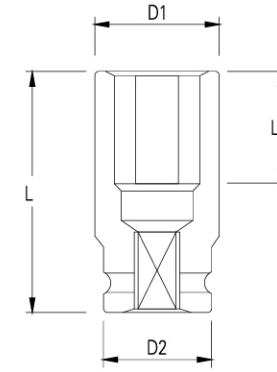
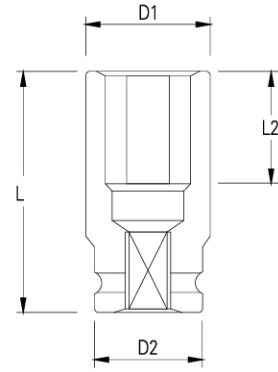
- 套筒  
Impact  
Sockets
- 3/8 "
- P1-2
- 1/2 "
- P3-11
- 3/4 "
- P12-20
- 1 "**
- P21-29
- 1-1/2 "
- P30-31
- 2-1/2 "
- P32
- 旋具套筒  
Hex Impact  
Socket Bit
- P33-36
- 万向节  
Universal  
Joints
- 转换头  
Impact  
Adaptor
- P37-38
- 接杆弯杆  
杆类附件  
Extension  
Bar&Tools&  
Accessories
- P39-40
- 棘轮  
Ratchet  
Wrench
- P41
- 套装  
Impact  
Socket Set
- P42-65
- 大车  
专用工具  
Axle Head  
Socket
- P66

# 1" DEEP IMPACT SOCKETS

1" 六角公制加长套筒

# 1" DEEP IMPACT SOCKETS

1" 六角英制加长套筒



- 套筒  
Impact  
Sockets
- 3/8 "
- P1-2
- 1/2 "
- P3-11
- 3/4 "
- P12-20
- 1 "
- P21-29
- 1-1/2 "
- P30-31
- 2-1/2 "
- P32
- 旋具套筒  
Hex Impact  
Socket Bit
- P33-36
- 万向节  
Universal  
Joints
- 转换头  
Impact  
Adaptor
- P37-38
- 接杆弯杆  
杆类附件  
Extension  
Bar&Tools&  
Accessories
- P39-40
- 棘轮  
Ratchet  
Wrench
- P41
- 套装  
Impact  
Socket Set
- P42-65
- 大车  
专用工具  
Axle Head  
Socket
- P66

Order NO.	Size	L±0.5	D1±0.2	D2±0.2	Surface
0925017	17mm	90	32	47.5	Phosphating
0925417	17mm-4PT	90	37	47.5	Phosphating
0925018	18mm	90	33	47.5	Phosphating
0925019	19mm	90	34	47.5	Phosphating
0925419	19mm-4PT	90	39	47.5	Phosphating
0925021	21mm	90	37	47.5	Phosphating
0925421	21mm-4PT	90	42	47.5	Phosphating
0925022	22mm	90	38	47.5	Phosphating
0925422	22mm-4PT	90	43	47.5	Phosphating
0925023	23mm	90	40.5	47.5	Phosphating
0925024	24mm	90	41	47.5	Phosphating
0925025	25mm	90	43	47.5	Phosphating
0925026	26mm	90	43	47.5	Phosphating
0925027	27mm	90	44	47.5	Phosphating
0925427	27mm-4PT	90	44	47.5	Phosphating
0925028	28mm	90	45	47.5	Phosphating
0925029	29mm	90	46	48.5	Phosphating
0925030	30mm	90	48.5	48.5	Phosphating
0925430	30mm-4PT	90	48.5	48.5	Phosphating
0925031	31mm	90	48.5	48.5	Phosphating
0925032	32mm	90	51	49	Phosphating
0925033	33mm	90	52	50	Phosphating
0925040	34mm	90	53	51	Phosphating
0925035	35mm	90	54	51	Phosphating
0925036	36mm	90	54.5	51	Phosphating
0925037	37mm	90	55	51	Phosphating
0925038	38mm	90	58	51	Phosphating
0925039	39mm	90	59	51	Phosphating
0925040	40mm	90	59.5	51	Phosphating
0925041	41mm	90	60	51	Phosphating
0925042	42mm	90	63	54	Phosphating
0925043	43mm	90	64	54	Phosphating
0925044	44mm	90	64	54	Phosphating
0925045	45mm	90	64	54	Phosphating
0925046	46mm	90	68	54	Phosphating
0925047	47mm	90	68	54	Phosphating
0925048	48mm	90	69	54	Phosphating
0925050	50mm	90	73	54	Phosphating
0925052	52mm	90	74	54	Phosphating
0925053	53mm	90	77	54	Phosphating
0925054	54mm	90	78	54	Phosphating
0925055	55mm	90	78	54	Phosphating
0925056	56mm	90	78	54	Phosphating
0925057	57mm	90	83	54	Phosphating
0925058	58mm	90	83	54	Phosphating
0925059	59mm	90	83	54	Phosphating
0925060	60mm	90	83	54	Phosphating
0925062	62mm	90	85	54	Phosphating
0925063	63mm	90	88	54	Phosphating
0925064	64mm	90	89	54	Phosphating
0925065	65mm	90	89	54	Phosphating
0925067	67mm	90	92	58	Phosphating
0925068	68mm	90	92	58	Phosphating
0925070	70mm	90	93	62	Phosphating
0925075	75mm	96	103	62	Phosphating
0925080	80mm	100	107	62	Phosphating
0925085	85mm	110	117	72	Phosphating
0925090	90mm	110	123	72	Phosphating
0925095	95mm	120	127	72	Phosphating
0925100	100mm	120	137	72	Phosphating
0925105	105mm	120	145	72	Phosphating

Order NO.	Size	L±0.5	D1±0.2	D2±0.2	Surface
0925121	11/16 "	90	32	47.5	Phosphating
0925122	3/4 "	90	34	47.5	Phosphating
0925123	13/16 "	90	37	47.5	Phosphating
0925124	7/8 "	90	38	47.5	Phosphating
0925125	15/16 "	90	41	47.5	Phosphating
0925126	1 "	90	43	47.5	Phosphating
0925127	1-1/16 "	90	44	47.5	Phosphating
0925128	1-1/8 "	90	46	48.5	Phosphating
0925129	1-3/16 "	90	48.5	48.5	Phosphating
0925130	1-1/4 "	90	51	49	Phosphating
0925131	1-5/16 "	90	52	50	Phosphating
0925132	1-3/8 "	90	54	51	Phosphating
0925133	1-7/16 "	90	55	51	Phosphating
0925134	1-1/2 "	90	58	51	Phosphating
0925135	1-9/16 "	90	59.5	51	Phosphating
0925136	1-5/8 "	90	60	51	Phosphating
0925137	1-11/16 "	90	64	54	Phosphating
0925138	1-3/4 "	90	64	54	Phosphating
0925139	1-13/16 "	90	68	54	Phosphating
0925140	1-7/8 "	90	69	54	Phosphating
0925143	2-1/16 "	90	74	54	Phosphating
0925144	2-1/8 "	90	78	54	Phosphating
0925145	2-3/16 "	90	78	54	Phosphating
0925146	2-1/4 "	90	83	54	Phosphating
0925147	2-5/16 "	90	83	54	Phosphating
0925148	2-3/8 "	90	83	54	Phosphating
0925150	2-1/2 "	90	89	54	Phosphating
0925151	2-9/16 "	90	89	54	Phosphating
0925152	2-5/8 "	90	92	58	Phosphating
0925153	2-11/16 "	90	92	58	Phosphating
0925154	2-3/4 "	90	93	62	Phosphating

- 套筒  
Impact  
Sockets
- 3/8 "
- P1-2
- 1/2 "
- P3-11
- 3/4 "
- P12-20
- 1 "
- P21-29
- 1-1/2 "
- P30-31
- 2-1/2 "
- P32
- 旋具套筒  
Hex Impact  
Socket Bit
- P33-36
- 万向节  
Universal  
Joints
- 转换头  
Impact  
Adaptor
- P37-38
- 接杆弯杆  
杆类附件  
Extension  
Bar&Tools&  
Accessories
- P39-40
- 棘轮  
Ratchet  
Wrench
- P41
- 套装  
Impact  
Socket Set
- P42-65
- 大车  
专用工具  
Axle Head  
Socket
- P66

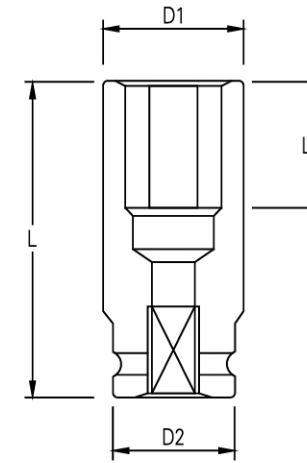
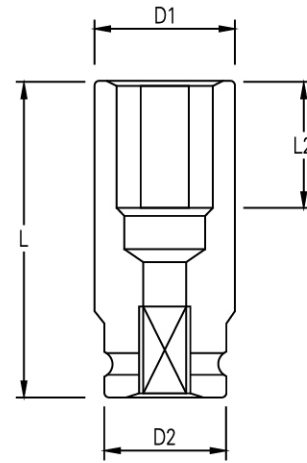
# 1" EXTRA DEEP IMPACT SOCKETS

1" 六角公制特长套筒

# 1" EXTRA DEEP IMPACT SOCKETS

1" 六角英制特长套筒

- 套筒  
Impact  
Sockets
- 3/8 "
- P1-2
- 1/2 "
- P3-11
- 3/4 "
- P12-20
- 1 "
- P21-29
- 1-1/2 "
- P30-31
- 2-1/2 "
- P32
- 旋具套筒  
Hex Impact  
Socket Bit
- P33-36
- 万向节  
Universal  
Joints  
转换头  
Impact  
Adaptor
- P37-38
- 接杆弯杆  
杆类附件  
Extension  
Bar&Tools&  
Accessories
- P39-40
- 棘轮  
Ratchet  
Wrench
- P41
- 套装  
Impact  
Socket Set
- P42-65
- 大车  
专用工具  
Axle Head  
Socket
- P66



- 套筒  
Impact  
Sockets
- 3/8 "
- P1-2
- 1/2 "
- P3-11
- 3/4 "
- P12-20
- 1 "
- P21-29
- 1-1/2 "
- P30-31
- 2-1/2 "
- P32
- 旋具套筒  
Hex Impact  
Socket Bit
- P33-36
- 万向节  
Universal  
Joints  
转换头  
Impact  
Adaptor
- P37-38
- 接杆弯杆  
杆类附件  
Extension  
Bar&Tools&  
Accessories
- P39-40
- 棘轮  
Ratchet  
Wrench
- P41
- 套装  
Impact  
Socket Set
- P42-65
- 大车  
专用工具  
Axle Head  
Socket
- P66

Order NO.	Size	L±0.5	D1±0.2	D2±0.2	Surface
1225022	22mm	120	39	47.5	Phosphating
1225024	24mm	120	42	47.5	Phosphating
1225027	27mm	120	44	47.5	Phosphating
1225030	30mm	120	49	49	Phosphating
1225032	32mm	120	52	50	Phosphating
1225033	33mm	120	53	50	Phosphating
1225034	34mm	120	54	51	Phosphating
1225035	35mm	120	54	51	Phosphating
1225036	36mm	120	54.5	51	Phosphating
1225038	38mm	120	58	53	Phosphating
1225041	41mm	120	60	53	Phosphating
1225046	46mm	120	68	54	Phosphating
1225050	50mm	120	73	54	Phosphating
1225055	55mm	120	78	54	Phosphating
1225060	60mm	120	89	58	Phosphating
1225065	65mm	120	93	58	Phosphating
1225070	70mm	120	98	62	Phosphating
1225075	75mm	120	103	62	Phosphating

Order NO.	Size	L±0.5	D1±0.2	D2±0.2	Surface
1625022	22mm	160	39	47.5	Phosphating
1625024	24mm	160	42	47.5	Phosphating
1625027	27mm	160	44	47.5	Phosphating
1625030	30mm	160	49	49	Phosphating
1625032	32mm	160	52	50	Phosphating
1625033	33mm	160	53	50	Phosphating
1625034	34mm	160	54	51	Phosphating
1625035	35mm	160	54	51	Phosphating
1625036	36mm	160	54.5	51	Phosphating
1625038	38mm	160	58	53	Phosphating
1625041	41mm	160	60	53	Phosphating
1625046	46mm	160	68	54	Phosphating
1625050	50mm	160	73	54	Phosphating
1625055	55mm	160	78	54	Phosphating
1625060	60mm	160	89	58	Phosphating
1625065	65mm	160	93	58	Phosphating
1625070	70mm	160	98	62	Phosphating
1625075	75mm	160	103	62	Phosphating



## 精品铬钼钢套筒

## 1" CR-MO IMPACT SOCKET



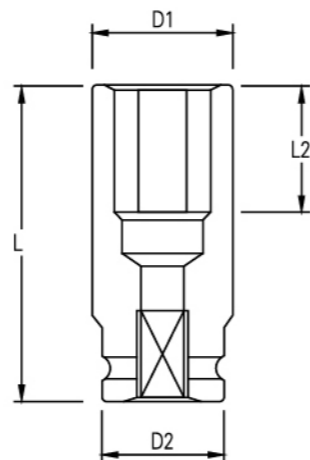
# 1" EXTRA DEEP IMPACT SOCKETS

1" 六角公制特长套筒

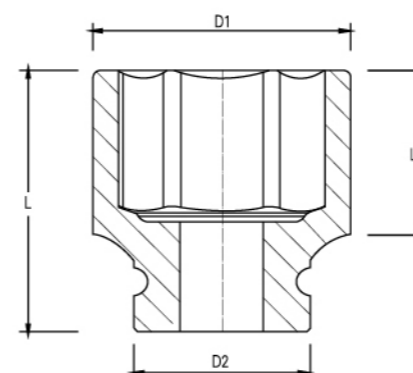
# 1-1/2" IMPACT SOCKETS

1-1/2" 六角标准套筒

- 套筒  
Impact  
Sockets
- 3/8"
- P1-2
- 1/2"
- P3-11
- 3/4"
- P12-20
- 1"
- P21-29
- 1-1/2"
- P30-31
- 2-1/2"
- P32
- 旋具套筒  
Hex Impact  
Socket Bit
- P33-36
- 万向节  
Universal  
Joints  
转换头  
Impact  
Adaptor
- P37-38
- 接杆弯杆  
杆类附件  
Extension  
Bar&Tools&  
Accessories
- P39-40
- 棘轮  
Ratchet  
Wrench
- P41
- 套装  
Impact  
Socket Set
- P42-65
- 大车  
专用工具  
Axle Head  
Socket
- P66



Order NO.	Size	L±0.5	D1±0.2	D2±0.2	Surface
2025022	22mm	200	39	47.5	Phosphating
2025024	24mm	200	42	47.5	Phosphating
2025027	27mm	200	44	47.5	Phosphating
2025030	30mm	200	49	49	Phosphating
2025032	32mm	200	52	50	Phosphating
2025033	33mm	200	53	50	Phosphating
2025034	34mm	200	54	51	Phosphating
2025035	35mm	200	54	51	Phosphating
2025036	36mm	200	54.5	51	Phosphating
2025038	38mm	200	58	53	Phosphating
2025041	41mm	200	60	53	Phosphating
2025046	46mm	200	68	54	Phosphating
2025050	50mm	200	73	54	Phosphating
2025055	55mm	200	78	54	Phosphating
2025060	60mm	200	89	58	Phosphating
2025065	65mm	200	93	58	Phosphating
2025070	70mm	200	98	62	Phosphating
2025075	75mm	200	103	62	Phosphating



Order NO.	Size	L±0.5	D1±0.2	D2±0.2	Surface
3838036	36mm	78	64	78	Phosphating
3838038	38mm	80	68	78	Phosphating
3838041	41mm	80	68	78	Phosphating
3838046	46mm	84	76	84	Phosphating
3838050	50mm	88	78	84	Phosphating
3838055	55mm	90	88	84	Phosphating
3838060	60mm	95	92	84	Phosphating
3838065	65mm	100	97	84	Phosphating
3838070	70mm	105	108	85	Phosphating
3838075	75mm	110	108	85	Phosphating
3838080	80mm	120	117	85	Phosphating
3838085	85mm	120	117	85	Phosphating
3838090	90mm	120	128	94	Phosphating
3838095	95mm	130	137	94	Phosphating
3838100	100mm	130	137	94	Phosphating
3838105	105mm	135	148	95	Phosphating
3838110	110mm	135	148	95	Phosphating
3838115	115mm	140	162	95	Phosphating
3838120	120mm	140	165	95	Phosphating
3838125	125mm	140	172	127	Phosphating
3838130	130mm	150	182	127	Phosphating
3838135	135mm	150	192	127	Phosphating
3838140	140mm	160	195	127	Phosphating
3838145	145mm	160	203	127	Phosphating
3838150	150mm	170	205	127	Phosphating
3838155	155mm	170	214	127	Phosphating

- 套筒  
Impact  
Sockets
- 3/8"
- P1-2
- 1/2"
- P3-11
- 3/4"
- P12-20
- 1"
- P21-29
- 1-1/2"
- P30-31
- 2-1/2"
- P32
- 旋具套筒  
Hex Impact  
Socket Bit
- P33-36
- 万向节  
Universal  
Joints  
转换头  
Impact  
Adaptor
- P37-38
- 接杆弯杆  
杆类附件  
Extension  
Bar&Tools&  
Accessories
- P39-40
- 棘轮  
Ratchet  
Wrench
- P41
- 套装  
Impact  
Socket Set
- P42-65
- 大车  
专用工具  
Axle Head  
Socket
- P66



## 球头拆卸专用套筒

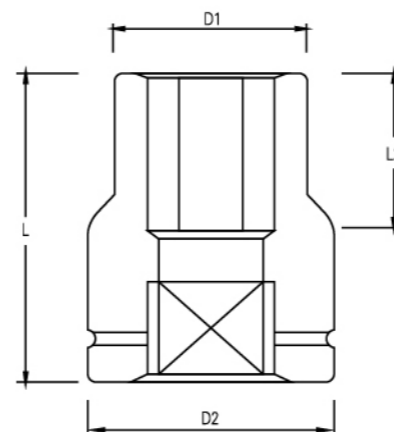
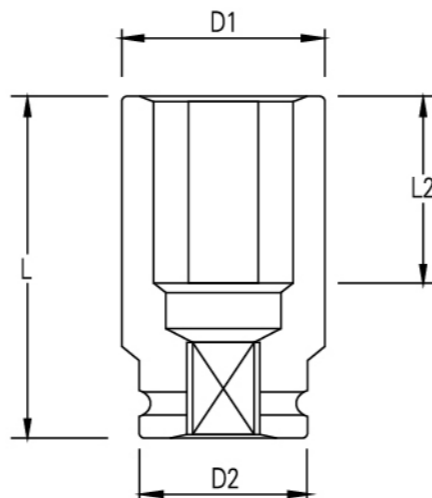
65mm 70mm 75mm

# 1-1/2" DEEP IMPACT SOCKETS

1-1/2" 六角加长套筒

# 2-1/2" IMPACT SOCKETS

2-1/2" 六角标准套筒



- 套筒  
Impact  
Sockets
- 3/8 "
- P1-2
- 1/2 "
- P3-11
- 3/4 "
- P12-20
- 1 "
- P21-29
- 1-1/2 "
- P30-31
- 2-1/2 "
- P32
- 旋具套筒  
Hex Impact  
Socket Bit
- P33-36
- 万向节  
Universal  
Joints  
转换头  
Impact  
Adaptor
- P37-38
- 接杆弯杆  
杆类附件  
Extension  
Bar&Tools&  
Accessories
- P39-40
- 棘轮  
Ratchet  
Wrench
- P41
- 套装  
Impact  
Socket Set
- P42-65
- 大车  
专用工具  
Axle Head  
Socket
- P66

Order NO.	Size	L±0.5	D1±0.2	D2±0.2	Surface
1638036	36mm	160	64	78	Phosphating
1638038	38mm	160	68	78	Phosphating
1638041	41mm	160	68	78	Phosphating
1638046	46mm	160	76	84	Phosphating
1638050	50mm	160	78	84	Phosphating
1638055	55mm	160	88	84	Phosphating
1638060	60mm	160	92	84	Phosphating
1638065	65mm	160	97	84	Phosphating
1638070	70mm	160	108	85	Phosphating
1638075	75mm	160	108	85	Phosphating
1638080	80mm	160	117	85	Phosphating
1638085	85mm	160	117	85	Phosphating
1638090	90mm	160	128	94	Phosphating
1638095	95mm	160	137	94	Phosphating
1638100	100mm	160	137	94	Phosphating
1638105	105mm	160	148	95	Phosphating
1638110	110mm	160	148	95	Phosphating

Order NO.	Size	L±0.5	D1±0.2	D2±0.2	Surface
6464041	41mm	100	71	100	Phosphating
6464046	46mm	100	76	104	Phosphating
6464050	50mm	100	81	109	Phosphating
6464055	55mm	100	86	114	Phosphating
6464060	60mm	100	119	119	Phosphating
6464065	65mm	100	119	119	Phosphating
6464070	70mm	140	112	128	Phosphating
6464075	75mm	140	116	128	Phosphating
6464080	80mm	140	124	128	Phosphating
6464085	85mm	140	128	128	Phosphating
6464090	90mm	140	138	130	Phosphating
6464095	95mm	140	138	130	Phosphating
6464100	100mm	140	148	130	Phosphating
6464105	105mm	150	148	130	Phosphating
6464110	110mm	150	158	130	Phosphating
6464115	115mm	150	158	130	Phosphating
6464120	120mm	150	168	130	Phosphating
6464125	125mm	170	178	130	Phosphating
6464130	130mm	170	178	130	Phosphating
6464135	135mm	170	188	130	Phosphating
6464140	140mm	170	198	140	Phosphating
6464145	145mm	170	198	140	Phosphating
6464150	150mm	170	208	140	Phosphating
6464155	155mm	190	208	152	Phosphating
6464160	160mm	190	218	152	Phosphating
6464165	165mm	190	228	152	Phosphating
6464170	170mm	190	238	160	Phosphating
6464175	175mm	195	238	160	Phosphating
6464180	180mm	205	248	160	Phosphating
6464185	185mm	205	258	160	Phosphating
6464190	190mm	210	268	160	Phosphating
6464195	195mm	210	268	160	Phosphating
6464200	200mm	215	278	160	Phosphating

- 套筒  
Impact  
Sockets
- 3/8 "
- P1-2
- 1/2 "
- P3-11
- 3/4 "
- P12-20
- 1 "
- P21-29
- 1-1/2 "
- P30-31
- 2-1/2 "
- P32
- 旋具套筒  
Hex Impact  
Socket Bit
- P33-36
- 万向节  
Universal  
Joints  
转换头  
Impact  
Adaptor
- P37-38
- 接杆弯杆  
杆类附件  
Extension  
Bar&Tools&  
Accessories
- P39-40
- 棘轮  
Ratchet  
Wrench
- P41
- 套装  
Impact  
Socket Set
- P42-65
- 大车  
专用工具  
Axle Head  
Socket
- P66

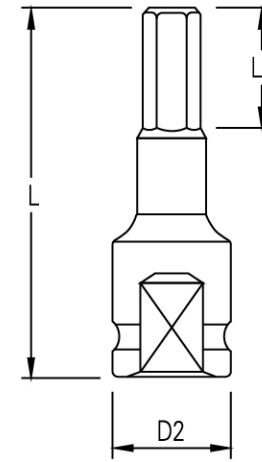
# HEX IMPACT SOCKET BIT

3/8" H&RT&T&M系列旋具套筒

# HEX IMPACT SOCKET BIT

1/2" H系列旋具套筒

Order NO.	Size	Size	L±0.5	D2±0.5	L1±0.5
0303804	3/8"	H4	60	18.8	10
0303805	3/8"	H5	60	18.8	10
0303806	3/8"	H6	60	18.8	10
0303807	3/8"	H7	60	18.8	10
0303808	3/8"	H8	60	18.8	10
0303809	3/8"	H9	60	18.8	10
0303810	3/8"	H10	60	18.8	10
0303811	3/8"	H11	60	18.8	10
0303812	3/8"	H12	60	18.8	10
0303813	3/8"	H13	60	18.8	10
0303814	3/8"	H14	60	18.8	10
Order NO.	Size	Size	L±0.5	D2±0.5	L1±0.5
0403805	3/8"	RT5	60	18.8	10
0403806	3/8"	RT6	60	18.8	10
0403807	3/8"	RT7	60	18.8	10
0403808	3/8"	RT8	60	18.8	10
0403809	3/8"	RT9	60	18.8	10
0403810	3/8"	RT10	60	18.8	10
0403811	3/8"	RT11	60	18.8	10
0403812	3/8"	RT12	60	18.8	10
0403813	3/8"	RT13	60	18.8	10
0403814	3/8"	RT14	60	18.8	10
Order NO.	Size	Size	L±0.5	D2±0.5	L1±0.5
0503805	3/8"	M5	60	18.8	10
0503806	3/8"	M6	60	18.8	10
0503807	3/8"	M7	60	18.8	10
0503808	3/8"	M8	60	18.8	10
0503809	3/8"	M9	60	18.8	10
0503810	3/8"	M10	60	18.8	10
0503811	3/8"	M11	60	18.8	10
0503812	3/8"	M12	60	18.8	10
0503813	3/8"	M13	60	18.8	10
0503814	3/8"	M14	60	18.8	10
Order NO.	Size	Size	L±0.5	D2±0.5	L1±0.5
0603820	3/8"	T20	60	18.8	10
0603825	3/8"	T25	60	18.8	10
0603830	3/8"	T30	60	18.8	10
0603840	3/8"	T40	60	18.8	10
0603845	3/8"	T45	60	18.8	10
0603850	3/8"	T50	60	18.8	10
0603855	3/8"	T55	60	18.8	10
0603860	3/8"	T60	60	18.8	10



Order NO.	Size	Size	L±0.5	D2±0.5	L1±0.5
0601204	1/2"	H4	78	25	8
0601205	1/2"	H5	78	25	10
0601206	1/2"	H6	78	25	10
0601207	1/2"	H7	78	25	10
0601208	1/2"	H8	78	25	13
0601209	1/2"	H9	78	25	13
0601210	1/2"	H10	78	25	15
0601211	1/2"	H11	78	25	15
0601212	1/2"	H12	78	25	15
0601213	1/2"	H13	78	25	15
0601214	1/2"	H14	78	25	18
0601215	1/2"	H15	78	25	18
0601216	1/2"	H16	78	25	20
0601217	1/2"	H17	78	25	20
0601218	1/2"	H18	78	25	20
0601219	1/2"	H19	78	25	20
0601220	1/2"	H20	78	25	20
0601221	1/2"	H21	78	25	20
0601222	1/2"	H22	78	25	20
Order NO.	Size	Size	L±0.5	D2±0.5	L1±0.5
0601224	1/2"	3/16"	78	25	13
0601227	1/2"	7/32"	78	25	13
0601228	1/2"	1/4"	78	25	13
0601229	1/2"	9/32"	78	25	15
0601230	1/2"	5/16"	78	25	15
0601231	1/2"	3/8"	78	25	15
0601232	1/2"	7/16"	78	25	15
0601233	1/2"	1/2"	78	25	15
0601234	1/2"	9/16"	78	25	15
0601235	1/2"	5/8"	78	25	20
0601236	1/2"	1/16"	78	25	20
0601237	1/2"	3/4"	78	25	20

- 套筒 Impact Sockets
- 3/8"
- P1-2
- 1/2"
- P3-11
- 3/4"
- P12-20
- 1"
- P21-29
- 1-1/2"
- P30-31
- 2-1/2"
- P32
- 旋具套筒 Hex Impact Socket Bit
- P33-36
- 万向节 Universal Joints
- 转换头 Impact Adaptor
- P37-38
- 接杆弯杆杆类附件 Extension Bar&Tools&Accessories
- P39-40
- 棘轮 Ratchet Wrench
- P41
- 套装 Impact Socket Set
- P42-65
- 大车专用工具 Axle Head Socket
- P66

- 套筒 Impact Sockets
- 3/8"
- P1-2
- 1/2"
- P3-11
- 3/4"
- P12-20
- 1"
- P21-29
- 1-1/2"
- P30-31
- 2-1/2"
- P32
- 旋具套筒 Hex Impact Socket Bit
- P33-36
- 万向节 Universal Joints
- 转换头 Impact Adaptor
- P37-38
- 接杆弯杆杆类附件 Extension Bar&Tools&Accessories
- P39-40
- 棘轮 Ratchet Wrench
- P41
- 套装 Impact Socket Set
- P42-65
- 大车专用工具 Axle Head Socket
- P66

# HEX IMPACT SOCKET BIT

1/2" RT&T&M系列旋具套筒

# HEX IMPACT SOCKET BIT

3/4" & 1" & 1-1/2" H系列旋具套筒

套筒  
Impact  
Sockets

3/8"

P1-2

1/2"

P3-11

3/4"

P12-20

1"

P21-29

1-1/2"

P30-31

2-1/2"

P32

旋具套筒  
Hex Impact  
Socket Bit

P33-36

万向节  
Universal  
Joints  
转换头  
Impact  
Adaptor

P37-38

接杆弯杆  
杆类附件  
Extension  
Bar&Tools&  
Accessories

P39-40

棘轮  
Ratchet  
Wrench

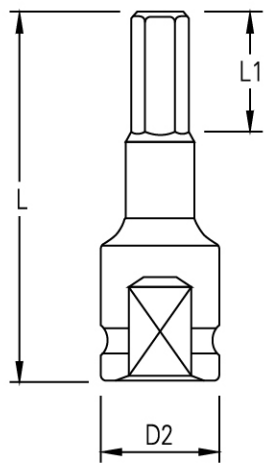
P41

套装  
Impact  
Socket Set

P42-65

大车  
专用工具  
Axle Head  
Socket

P66



Order NO.	Size	Size	L±0.5	D2±0.5	L1±0.5
0701205	1/2"	RT5	78	25	16
0701206	1/2"	RT6	78	25	16
0701207	1/2"	RT7	78	25	16
0701208	1/2"	RT8	78	25	16
0701209	1/2"	RT9	78	25	16
0701210	1/2"	RT10	78	25	16
0701211	1/2"	RT11	78	25	16
0701212	1/2"	RT12	78	25	16
0701213	1/2"	RT13	78	25	16
0701214	1/2"	RT14	78	25	16
Order NO.	Size	Size	L±0.5	D2±0.5	L1±0.5
0801205	1/2"	M5	78	25	16
0801206	1/2"	M6	78	25	16
0801207	1/2"	M7	78	25	16
0801208	1/2"	M8	78	25	16
0801209	1/2"	M9	78	25	16
0801210	1/2"	M10	78	25	16
0801211	1/2"	M11	78	25	16
0801212	1/2"	M12	78	25	16
0801213	1/2"	M13	78	25	16
0801214	1/2"	M14	78	25	16
0801215	1/2"	M15	78	25	16
0801216	1/2"	M16	78	25	16
0801217	1/2"	M17	78	25	16
0801218	1/2"	M18	78	25	16
0801220	1/2"	M20	78	25	16
Order NO.	Size	Size	L±0.5	D2±0.5	L1±0.5
0901220	1/2"	T20	78	25	8
0901225	1/2"	T25	78	25	8
0901227	1/2"	T27	78	25	8
0901230	1/2"	T30	78	25	8
0901235	1/2"	T35	78	25	10
0901240	1/2"	T40	78	25	10
0901245	1/2"	T45	78	25	10
0901250	1/2"	T50	78	25	12
0901255	1/2"	T55	78	25	15
0901260	1/2"	T60	78	25	15
0901270	1/2"	T70	78	25	18
0901280	1/2"	T80	78	25	21
0901290	1/2"	T90	78	25	21
0912100	1/2"	T100	78	25	21



Order NO.	Size	Size	L±0.5	D2±0.5	L1±0.5
1003412	3/4"	H12	100	44	19
1003414	3/4"	H14	100	44	19
1003417	3/4"	H17	100	44	19
1003419	3/4"	H19	100	44	19
1003421	3/4"	H21	100	44	19
1003422	3/4"	H22	100	44	19
1003424	3/4"	H24	100	44	19
1003427	3/4"	H27	100	44	19
1002517	1"	H17	100	52	24
1002519	1"	H19	100	52	24
1002521	1"	H21	100	52	24
1002522	1"	H22	100	52	24
1002524	1"	H24	100	52	24
1002527	1"	H27	100	52	24
1002530	1"	H30	100	52	24
1002532	1"	H32	100	52	24
1002534	1"	H34	100	52	24
1002536	1"	H36	100	52	24
1002538	1"	H38	100	52	24
1002541	1"	H41	100	52	24
1002546	1"	H46	100	52	24
1203817	1-1/2"	H17	120	76	30
1203819	1-1/2"	H19	120	76	30
1203821	1-1/2"	H21	120	76	30
1203822	1-1/2"	H22	120	76	30
1203824	1-1/2"	H24	120	76	30
1203827	1-1/2"	H27	120	76	30
1203830	1-1/2"	H30	120	76	30
1203832	1-1/2"	H32	120	76	30
1203834	1-1/2"	H34	120	76	30
1203836	1-1/2"	H36	120	76	30
1203838	1-1/2"	H38	120	76	30
1203841	1-1/2"	H41	120	76	30
1203846	1-1/2"	H46	120	76	30

套筒  
Impact  
Sockets

3/8"

P1-2

1/2"

P3-11

3/4"

P12-20

1"

P21-29

1-1/2"

P30-31

2-1/2"

P32

旋具套筒  
Hex Impact  
Socket Bit

P33-36

万向节  
Universal  
Joints  
转换头  
Impact  
Adaptor

P37-38

接杆弯杆  
杆类附件  
Extension  
Bar&Tools&  
Accessories

P39-40

棘轮  
Ratchet  
Wrench

P41

套装  
Impact  
Socket Set

P42-65

大车  
专用工具  
Axle Head  
Socket

P66

# UNIVERSAL JOINTS

万向接头

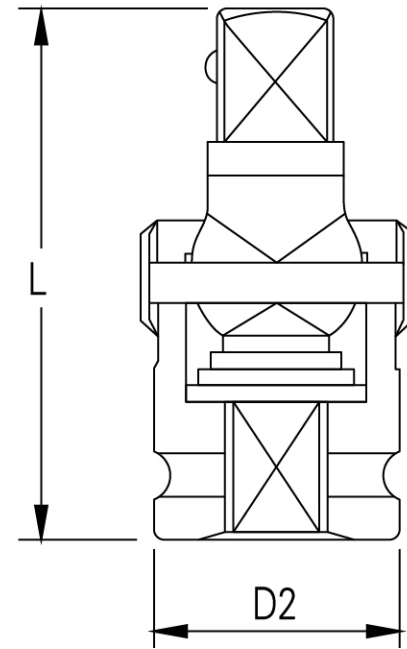
# IMPACT ADAPTOR

转换头

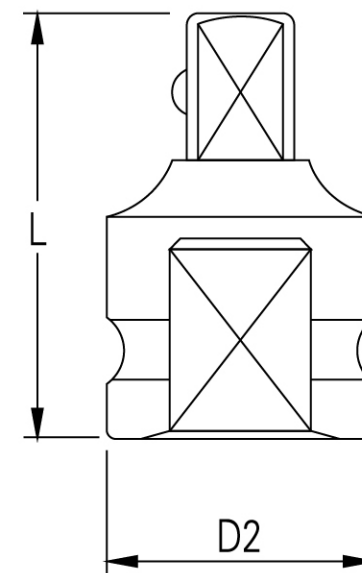
- 套筒  
Impact  
Sockets
- 3/8 "
- P1-2
- 1/2 "
- P3-11
- 3/4 "
- P12-20
- 1 "
- P21-29
- 1-1/2 "
- P30-31
- 2-1/2 "
- P32
- 旋具套筒  
Hex Impact  
Socket Bit
- P33-36
- 万向节  
Universal  
Joints  
转换头  
Impact  
Adaptor
- P37-38
- 接杆弯杆  
杆类附件  
Extension  
Bar&Tools&  
Accessories
- P39-40
- 棘轮  
Ratchet  
Wrench
- P41
- 套装  
Impact  
Socket Set
- P42-65
- 大车  
专用工具  
Axle Head  
Socket
- P66



Order NO.	Size	D mm	L mm
0608014	1/4"	16	45
0608038	3/8"	21	54
0608012	1/2"	27	69
0608019	3/4"	38	95
0608025	1"	51	122



Order NO.	Size	D mm	L mm
0806014	1/4"	15	39
0806038	3/8"	23	53
0806012	1/2"	27	63
0806034	3/4"	43	93
0806025	1"	54	117



Order NO.	Size(F*M)	D mm	L mm
0725034	1" x 3/4"	48	72
0734025	3/4" x 1"	39	63
0734012	3/4" x 1/2"	39	57
0712034	1/2" x 3/4"	31	50
0725012	1" x 1/2"	46	61
0712025	1/2" x 1"	32	61
0712038	1/2" x 3/8"	24	39
0738012	3/8" x 1/2"	22	34
0738014	3/8" x 1/4"	19	28
0714038	1/4" x 3/8"	14	26
0725038	1" x 1-1/2"	62	82
0738025	1-1/2" x 1"	54	82

- 套筒  
Impact  
Sockets
- 3/8 "
- P1-2
- 1/2 "
- P3-11
- 3/4 "
- P12-20
- 1 "
- P21-29
- 1-1/2 "
- P30-31
- 2-1/2 "
- P32
- 旋具套筒  
Hex Impact  
Socket Bit
- P33-36
- 万向节  
Universal  
Joints  
转换头  
Impact  
Adaptor
- P37-38
- 接杆弯杆  
杆类附件  
Extension  
Bar&Tools&  
Accessories
- P39-40
- 棘轮  
Ratchet  
Wrench
- P41
- 套装  
Impact  
Socket Set
- P42-65
- 大车  
专用工具  
Axle Head  
Socket
- P66

# EXTENSION BAR

接杆

# TOOLS&ACCESSORIES

弯杆&滑杆&轮胎套筒

套筒  
Impact  
Sockets

3/8 "

P1-2

1/2 "

P3-11

3/4 "

P12-20

1 "

P21-29

1-1/2 "

P30-31

2-1/2 "

P32

旋具套筒  
Hex Impact  
Socket Bit

P33-36

万向节  
Universal  
Joints  
转换头  
Impact  
Adaptor

P37-38

接杆弯杆  
杆类附件  
Extension  
Bar & Tools &  
Accessories

P39-40

棘轮  
Ratchet  
Wrench

P41

套装  
Impact  
Socket Set

P42-65

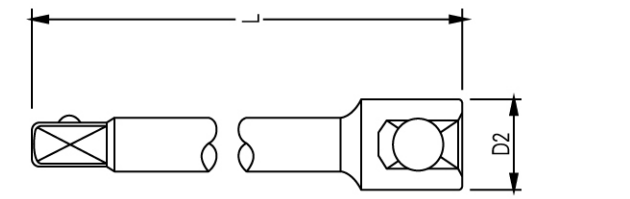
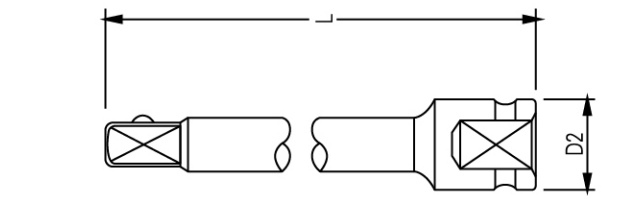
大车  
专用工具  
Axle Head  
Socket

P66



Order NO.	Inch	D mm	L mm
1112075	1/2"	24	75
1112125	1/2"	24	125
1112250	1/2"	24	250

Order NO.	Inch	D mm	L mm
1134100	3/4"	39	100
1134125	3/4"	39	125
1134150	3/4"	39	150
1134200	3/4"	39	200
1134250	3/4"	39	250
1134300	3/4"	39	300
1134400	3/4"	39	400
1134500	3/4"	39	500



Order NO.	Inch	D mm	L mm
1125100	1"	50	100
1125125	1"	50	125
1125150	1"	50	150
1125200	1"	50	200
1125250	1"	50	250
1125300	1"	50	300
1125400	1"	50	400
1125450	1"	50	450
1125500	1"	50	500

套筒  
Impact  
Sockets

3/8 "

P1-2

1/2 "

P3-11

3/4 "

P12-20

1 "

P21-29

1-1/2 "

P30-31

2-1/2 "

P32

旋具套筒  
Hex Impact  
Socket Bit

P33-36

万向节  
Universal  
Joints  
转换头  
Impact  
Adaptor

P37-38

接杆弯杆  
杆类附件  
Extension  
Bar & Tools &  
Accessories

P39-40

棘轮  
Ratchet  
Wrench

P41

套装  
Impact  
Socket Set

P42-65

大车  
专用工具  
Axle Head  
Socket

P66

Order NO.	Inch	D mm	L mm
1212250	1/2"	16	250
1212300	1/2"	16	300
1212350	1/2"	16	350
1234400	3/4"	25	400
1234450	3/4"	25	450
1234500	3/4"	25	500
1225550	1"	32	550
1225600	1"	32	600
1225700	1"	35	700



Order NO.	Inch	D mm	L mm
1312001	1/2"	14	250
1334001	3/4"	22	500
1325001	1"	22	500

型号 SIZE	直径x长度	扳杠尺寸
22x24	23x280	20x400
24x27	23x280	20x400
27x30	25x350	20x400
27x32	25x400	20x400
30x32	25x400	20x400
30x33	25x400	20x400
32x33	25x400	20x400
22x38	25x400	20x400
22x41	25x400	20x400



# TOOLS&ACCESSORIES

棘轮

# IMPACT SOCKET SET

1/4"和3/8"套筒组套

套筒  
Impact  
Sockets  
3/8"  
P1-2  
1/2"  
P3-11  
3/4"  
P12-20  
1"  
P21-29  
1-1/2"  
P30-31  
2-1/2"  
P32  
旋具套筒  
Hex Impact  
Socket Bit  
P33-36  
万向节  
Universal  
Joints  
转换头  
Impact  
Adaptor  
P37-38  
接杆弯杆  
杆类附件  
Extension  
Bar&Tools&  
Accessories  
P39-40  
棘轮  
Ratchet  
Wrench  
P41  
套装  
Impact  
Socket Set  
P42-65  
大车  
专用工具  
Axle Head  
Socket  
P66



6.3mm系列圆柄快脱棘轮扳手  
6.3mm Quick-Release Ratchet Wrench

Order NO.	Size	Surface
1414001	1/4"	Chrome
1414001B	1/4"	Phosphating



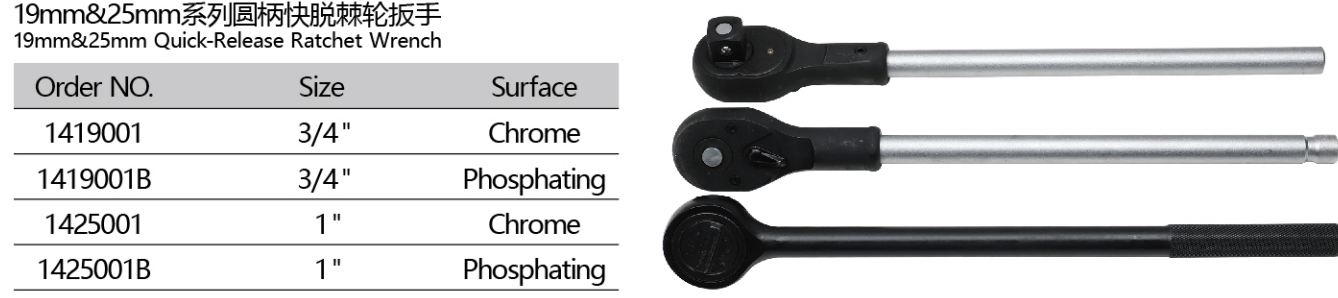
10mm系列圆柄快脱棘轮扳手  
10mm Quick-Release Ratchet Wrench

Order NO.	Size	Surface
1438001	3/8"	Chrome
1438001B	3/8"	Phosphating



12.5mm系列圆柄快脱棘轮扳手  
12.5mm Quick-Release Ratchet Wrench

Order NO.	Size	Surface
1412001	1/2"	Chrome
1412001B	1/2"	Phosphating



19mm&25mm系列圆柄快脱棘轮扳手  
19mm&25mm Quick-Release Ratchet Wrench

Order NO.	Size	Surface
1419001	3/4"	Chrome
1419001B	3/4"	Phosphating
1425001	1"	Chrome
1425001B	1"	Phosphating

## 49件套



编号/ITEM NO.	尺寸/SIZE	装箱数/PCS
3838049	49PCS	5

配置/CONFIGURATION

14PCS	3/8" Dr.6pt Socket: 8、9、10、11、12、13、14 15、16、17、18、19、21、22
8PCS	3/8" Dr.6pt Socket: 5/16、3/8、7/16、1/2、9/16、5/8 11/16、3/4
14PCS	3/8" Dr.6pt Deep Socket: 8、9、10、11、12、13、14 15、16、17、18、19、21、22
8PCS	3/8" Dr.6pt Deep Socket: 5/16、3/8、7/16、1/2、9/16、5/8 11/16、3/4
2PCS	3/8" Extension Bar(3" and 6")
1PC	3/8" Universal Joint
1PC	3/8" AD
1PC	1/2" x 3/8"

## 50件套

编号/ITEM NO.	尺寸/SIZE	装箱数/PCS
1438050	50PCS	5

配置/CONFIGURATION

14PCS	3/8" Dr.6pt Socket: 8、9、10、11、12、13、14 15、16、17、18、19、21、22
8PCS	3/8" Dr.6pt Socket: 5/16、3/8、7/16、1/2、9/16、5/8 11/16、3/4
14PCS	3/8" Dr.6pt Deep Socket: 8、9、10、11、12、13、14 15、16、17、18、19、21、22
8PCS	3/8" Dr.6pt Deep Socket: 5/16、3/8、7/16、1/2、9/16、5/8 11/16、3/4
2PCS	3/8" Extension Bar(3" and 6")
1PC	3/8" Universal Joint
1PC	3/8" AD
1PC	1/2" x 3/8"
1PC	3/8" Ratchet Handle



套筒  
Impact  
Sockets  
3/8"  
P1-2  
1/2"  
P3-11  
3/4"  
P12-20  
1"  
P21-29  
1-1/2"  
P30-31  
2-1/2"  
P32  
旋具套筒  
Hex Impact  
Socket Bit  
P33-36  
万向节  
Universal  
Joints  
转换头  
Impact  
Adaptor  
P37-38  
接杆弯杆  
杆类附件  
Extension  
Bar&Tools&  
Accessories  
P39-40  
棘轮  
Ratchet  
Wrench  
P41  
套装  
Impact  
Socket Set  
P42-65  
大车  
专用工具  
Axle Head  
Socket  
P66

# IMPACT SOCKET SET

## 1/2" 套筒组套

# IMPACT SOCKET SET

## 1/2" 套筒组套

套筒 Impact Sockets	3件12.5MM系列套筒组套 3PCS 1/2" Dr. Socket Wrench Set	3件12.5MM系列套筒组套 3PCS 1/2" Dr. Socket Wrench Set	4件12.5MM系列套筒组套 4PCS 1/2" Dr. Socket Wrench Set	6件12.5MM系列套筒组套 6PCS 1/2" Dr. Socket Wrench Set	9件12.5MM系列套筒组套 9PCS 1/2" Dr. Socket Wrench Set	10件12.5MM系列套筒组套 10PCS 1/2" Dr. Socket Wrench Set	套筒 Impact Sockets																																																
3/8 "							3/8 "																																																
P1-2							P1-2																																																
1/2 "							1/2 "																																																
P3-11							P3-11																																																
3/4 "							3/4 "																																																
P12-20							P12-20																																																
1 "							1 "																																																
P21-29							P21-29																																																
1-1/2 "							1-1/2 "																																																
P30-31							P30-31																																																
2-1/2 "	<table border="1"> <thead> <tr> <th>编号/ITEM NO.</th> <th>尺寸/SIZE</th> <th>装箱数/PCS</th> </tr> </thead> <tbody> <tr> <td>1208003</td> <td>3PCS(6PT)</td> <td>50</td> </tr> </tbody> </table> <p>配置/CONFIGURATION 3PCS   1/2" Dr. Socker (17、19、21mm)</p>	编号/ITEM NO.	尺寸/SIZE	装箱数/PCS	1208003	3PCS(6PT)	50	<table border="1"> <thead> <tr> <th>编号/ITEM NO.</th> <th>尺寸/SIZE</th> <th>装箱数/PCS</th> </tr> </thead> <tbody> <tr> <td>1268003</td> <td>3PCS(6PT)</td> <td>10</td> </tr> <tr> <td>1288003</td> <td>3PCS(12PT)</td> <td>10</td> </tr> </tbody> </table> <p>配置/CONFIGURATION 3PCS   1/2" Dr. Socker (32、34、36mm)</p>	编号/ITEM NO.	尺寸/SIZE	装箱数/PCS	1268003	3PCS(6PT)	10	1288003	3PCS(12PT)	10	<table border="1"> <thead> <tr> <th>编号/ITEM NO.</th> <th>尺寸/SIZE</th> <th>装箱数/PCS</th> </tr> </thead> <tbody> <tr> <td>1228004</td> <td>4PCS(6PT)</td> <td>50</td> </tr> </tbody> </table> <p>配置/CONFIGURATION 4PCS   1/2" Dr. Socker (17、19、21、22mm)</p>	编号/ITEM NO.	尺寸/SIZE	装箱数/PCS	1228004	4PCS(6PT)	50	<table border="1"> <thead> <tr> <th>编号/ITEM NO.</th> <th>尺寸/SIZE</th> <th>装箱数/PCS</th> </tr> </thead> <tbody> <tr> <td>1268006</td> <td>6PCS(6PT)</td> <td>5</td> </tr> <tr> <td>1288006</td> <td>6PCS(12PT)</td> <td>5</td> </tr> </tbody> </table> <p>配置/CONFIGURATION 6PCS   1/2" Dr. Socker (30、32、33、34、35、36mm)</p>	编号/ITEM NO.	尺寸/SIZE	装箱数/PCS	1268006	6PCS(6PT)	5	1288006	6PCS(12PT)	5	<table border="1"> <thead> <tr> <th>编号/ITEM NO.</th> <th>尺寸/SIZE</th> <th>装箱数/PCS</th> </tr> </thead> <tbody> <tr> <td>1268009</td> <td>9PCS(6PT)</td> <td>2</td> </tr> <tr> <td>1288009</td> <td>9PCS(12PT)</td> <td>2</td> </tr> </tbody> </table> <p>配置/CONFIGURATION 9PCS   1/2" Dr. Socker (29、30、31、32、33、34、35、36、38mm)</p>	编号/ITEM NO.	尺寸/SIZE	装箱数/PCS	1268009	9PCS(6PT)	2	1288009	9PCS(12PT)	2	<table border="1"> <thead> <tr> <th>编号/ITEM NO.</th> <th>尺寸/SIZE</th> <th>装箱数/PCS</th> </tr> </thead> <tbody> <tr> <td>1267310</td> <td>10PCS(6PT)</td> <td>4</td> </tr> <tr> <td>1287310</td> <td>10PCS(12PT)</td> <td>4</td> </tr> </tbody> </table> <p>配置/CONFIGURATION 10PCS   1/2" Dr. Socker (27、30、32、33、34、35、36mm) 1/2" Hex Socker Bit (14、17、19mm)</p>	编号/ITEM NO.	尺寸/SIZE	装箱数/PCS	1267310	10PCS(6PT)	4	1287310	10PCS(12PT)	4	2-1/2 "
编号/ITEM NO.	尺寸/SIZE	装箱数/PCS																																																					
1208003	3PCS(6PT)	50																																																					
编号/ITEM NO.	尺寸/SIZE	装箱数/PCS																																																					
1268003	3PCS(6PT)	10																																																					
1288003	3PCS(12PT)	10																																																					
编号/ITEM NO.	尺寸/SIZE	装箱数/PCS																																																					
1228004	4PCS(6PT)	50																																																					
编号/ITEM NO.	尺寸/SIZE	装箱数/PCS																																																					
1268006	6PCS(6PT)	5																																																					
1288006	6PCS(12PT)	5																																																					
编号/ITEM NO.	尺寸/SIZE	装箱数/PCS																																																					
1268009	9PCS(6PT)	2																																																					
1288009	9PCS(12PT)	2																																																					
编号/ITEM NO.	尺寸/SIZE	装箱数/PCS																																																					
1267310	10PCS(6PT)	4																																																					
1287310	10PCS(12PT)	4																																																					
P32							P32																																																
旋具套筒 Hex Impact Socket Bit							旋具套筒 Hex Impact Socket Bit																																																

P33-36	4件12.5MM系列套筒组套 4PCS 1/2" Dr. Socket Wrench Set	4件12.5MM系列套筒组套 4PCS 1/2" Dr. Socket Wrench Set	5件12.5MM系列套筒组套 5PCS 1/2" Dr. Socket Wrench Set	10件12.5MM系列套筒组套 10PCS 1/2" Dr. Socket Wrench Set (38L)	10件12.5MM系列套筒组套 10PCS 1/2" Dr. Socket Wrench Set (38L)	10件12.5MM系列套筒组套 10PCS 1/2" Dr. Socket Wrench Set (38L)	P33-36																																																			
万向节 Universal Joints 转换头 Impact Adaptor							万向节 Universal Joints 转换头 Impact Adaptor																																																			
P37-38							P37-38																																																			
接杆弯杆 杆类附件 Extension Bar&Tools& Accessories							接杆弯杆 杆类附件 Extension Bar&Tools& Accessories																																																			
P39-40							P39-40																																																			
棘轮 Ratchet Wrench							棘轮 Ratchet Wrench																																																			
P41							P41																																																			
套装 Impact Socket Set	<table border="1"> <thead> <tr> <th>编号/ITEM NO.</th> <th>尺寸/SIZE</th> <th>装箱数/PCS</th> </tr> </thead> <tbody> <tr> <td>1218004</td> <td>4PCS(6PT)</td> <td>50</td> </tr> </tbody> </table> <p>配置/CONFIGURATION 4PCS   1/2" Dr. Socker (17、19、21、22mm)</p>	编号/ITEM NO.	尺寸/SIZE	装箱数/PCS	1218004	4PCS(6PT)	50	<table border="1"> <thead> <tr> <th>编号/ITEM NO.</th> <th>尺寸/SIZE</th> <th>装箱数/PCS</th> </tr> </thead> <tbody> <tr> <td>1268004</td> <td>4PCS(6PT)</td> <td>5</td> </tr> <tr> <td>1288004</td> <td>4PCS(12PT)</td> <td>5</td> </tr> </tbody> </table> <p>配置/CONFIGURATION 4PCS   1/2" Dr. Socker (30、32、34、36mm)</p>	编号/ITEM NO.	尺寸/SIZE	装箱数/PCS	1268004	4PCS(6PT)	5	1288004	4PCS(12PT)	5	<table border="1"> <thead> <tr> <th>编号/ITEM NO.</th> <th>尺寸/SIZE</th> <th>装箱数/PCS</th> </tr> </thead> <tbody> <tr> <td>1268005</td> <td>5PCS(6PT)</td> <td>5</td> </tr> <tr> <td>1288005</td> <td>5PCS(12PT)</td> <td>5</td> </tr> </tbody> </table> <p>配置/CONFIGURATION 5PCS   1/2" Dr. Socker (30、32、34、35、36mm)</p>	编号/ITEM NO.	尺寸/SIZE	装箱数/PCS	1268005	5PCS(6PT)	5	1288005	5PCS(12PT)	5	<table border="1"> <thead> <tr> <th>编号/ITEM NO.</th> <th>尺寸/SIZE</th> <th>装箱数/PCS</th> </tr> </thead> <tbody> <tr> <td>1238010</td> <td>10PCS(6PT)</td> <td>20</td> </tr> <tr> <td>1283010</td> <td>10PCS(12PT)</td> <td>20</td> </tr> </tbody> </table> <p>配置/CONFIGURATION 10PCS   1/2" Dr. Socker (10、12、13、14、15、17、19、21、22、24mm)</p>	编号/ITEM NO.	尺寸/SIZE	装箱数/PCS	1238010	10PCS(6PT)	20	1283010	10PCS(12PT)	20	<table border="1"> <thead> <tr> <th>编号/ITEM NO.</th> <th>尺寸/SIZE</th> <th>装箱数/PCS</th> </tr> </thead> <tbody> <tr> <td>1238110</td> <td>10PCS(6PT)</td> <td>20</td> </tr> <tr> <td>1283110</td> <td>10PCS(12PT)</td> <td>20</td> </tr> </tbody> </table> <p>配置/CONFIGURATION 10PCS   1/2" Dr. Socker (10、12、13、14、15、17、19、21、22、24mm)</p>	编号/ITEM NO.	尺寸/SIZE	装箱数/PCS	1238110	10PCS(6PT)	20	1283110	10PCS(12PT)	20	<table border="1"> <thead> <tr> <th>编号/ITEM NO.</th> <th>尺寸/SIZE</th> <th>装箱数/PCS</th> </tr> </thead> <tbody> <tr> <td>1263810</td> <td>10PCS(6PT)</td> <td>10</td> </tr> <tr> <td>1283810</td> <td>10PCS(12PT)</td> <td>10</td> </tr> </tbody> </table> <p>配置/CONFIGURATION 10PCS   1/2" Dr. Socker (10、12、13、14、17、19、21、22、24mm) 1/2" L Handle (10")</p>	编号/ITEM NO.	尺寸/SIZE	装箱数/PCS	1263810	10PCS(6PT)	10	1283810	10PCS(12PT)	10	42-65
编号/ITEM NO.	尺寸/SIZE	装箱数/PCS																																																								
1218004	4PCS(6PT)	50																																																								
编号/ITEM NO.	尺寸/SIZE	装箱数/PCS																																																								
1268004	4PCS(6PT)	5																																																								
1288004	4PCS(12PT)	5																																																								
编号/ITEM NO.	尺寸/SIZE	装箱数/PCS																																																								
1268005	5PCS(6PT)	5																																																								
1288005	5PCS(12PT)	5																																																								
编号/ITEM NO.	尺寸/SIZE	装箱数/PCS																																																								
1238010	10PCS(6PT)	20																																																								
1283010	10PCS(12PT)	20																																																								
编号/ITEM NO.	尺寸/SIZE	装箱数/PCS																																																								
1238110	10PCS(6PT)	20																																																								
1283110	10PCS(12PT)	20																																																								
编号/ITEM NO.	尺寸/SIZE	装箱数/PCS																																																								
1263810	10PCS(6PT)	10																																																								
1283810	10PCS(12PT)	10																																																								
大车 专用工具 Axle Head Socket							大车 专用工具 Axle Head Socket																																																			
P66							P66																																																			

# IMPACT SOCKET SET

## 1/2" 套筒组套

# IMPACT SOCKET SET

## 1/2" 套筒组套

套筒 Impact Sockets	<b>10件12.5MM系列套筒组套</b> 10PCS 1/2" Dr. Socket Wrench Set	<b>10件12.5MM系列套筒组套</b> 10PCS 1/2" Dr. Socket Wrench Set	<b>11件12.5MM系列套筒组套</b> 11PCS 1/2" Dr. Socket Wrench Set	<b>12件12.5MM系列套筒组套</b> 12PCS 1/2" Dr. Socket Wrench Set	<b>13件12.5MM系列套筒组套</b> 13PCS 1/2" Dr. Socket Wrench Set	<b>14件12.5MM系列套筒组套</b> 14PCS 1/2" Dr. Socket Wrench Set	套筒 Impact Sockets																																																						
3/8"							3/8"																																																						
P1-2							P1-2																																																						
1/2"							1/2"																																																						
P3-11							P3-11																																																						
3/4"							3/4"																																																						
P12-20							P12-20																																																						
1"							1"																																																						
P21-29							P21-29																																																						
1-1/2"							1-1/2"																																																						
P30-31							P30-31																																																						
2-1/2"							2-1/2"																																																						
P32							P32																																																						
旋具套筒 Hex Impact Socket Bit	<table border="1"> <thead> <tr> <th>编号/ITEM NO.</th> <th>尺寸/SIZE</th> <th>装箱数/PCS</th> </tr> </thead> <tbody> <tr> <td>1268110</td> <td>10PCS(6PT)</td> <td>20</td> </tr> <tr> <td>1288110</td> <td>10PCS(12PT)</td> <td>20</td> </tr> </tbody> </table> <p>配置/CONFIGURATION 10PCS 1/2" Dr. Socket (10, 11, 12, 13, 14, 17, 19, 21, 22, 24mm)</p>	编号/ITEM NO.	尺寸/SIZE	装箱数/PCS	1268110	10PCS(6PT)	20	1288110	10PCS(12PT)	20	<table border="1"> <thead> <tr> <th>编号/ITEM NO.</th> <th>尺寸/SIZE</th> <th>装箱数/PCS</th> </tr> </thead> <tbody> <tr> <td>1268010</td> <td>10PCS(6PT)</td> <td>10</td> </tr> <tr> <td>1288010</td> <td>10PCS(12PT)</td> <td>10</td> </tr> </tbody> </table> <p>配置/CONFIGURATION 10PCS 1/2" Dr. Socket (10, 12, 13, 14, 15, 17, 19, 21, 22, 24mm)</p>	编号/ITEM NO.	尺寸/SIZE	装箱数/PCS	1268010	10PCS(6PT)	10	1288010	10PCS(12PT)	10	<table border="1"> <thead> <tr> <th>编号/ITEM NO.</th> <th>尺寸/SIZE</th> <th>装箱数/PCS</th> </tr> </thead> <tbody> <tr> <td>1263811</td> <td>11PCS(6PT)</td> <td>10</td> </tr> <tr> <td>1283811</td> <td>11PCS(12PT)</td> <td>10</td> </tr> </tbody> </table> <p>配置/CONFIGURATION 11PCS 1/2" Dr. Socket (10, 11, 12, 13, 14, 15, 17, 19, 21, 22, 24mm)</p>	编号/ITEM NO.	尺寸/SIZE	装箱数/PCS	1263811	11PCS(6PT)	10	1283811	11PCS(12PT)	10	<table border="1"> <thead> <tr> <th>编号/ITEM NO.</th> <th>尺寸/SIZE</th> <th>装箱数/PCS</th> </tr> </thead> <tbody> <tr> <td>1268012</td> <td>12PCS(6PT)</td> <td>4</td> </tr> <tr> <td>1288012</td> <td>12PCS(12PT)</td> <td>4</td> </tr> </tbody> </table> <p>配置/CONFIGURATION 12PCS 1/2" Dr. Socket (9, 10, 11, 12, 13, 15, 17, 19, 21, 22, 24, 27mm)</p>	编号/ITEM NO.	尺寸/SIZE	装箱数/PCS	1268012	12PCS(6PT)	4	1288012	12PCS(12PT)	4	<table border="1"> <thead> <tr> <th>编号/ITEM NO.</th> <th>尺寸/SIZE</th> <th>装箱数/PCS</th> </tr> </thead> <tbody> <tr> <td>1268013</td> <td>13PCS(6PT)</td> <td>4</td> </tr> <tr> <td>1288013</td> <td>13PCS(12PT)</td> <td>4</td> </tr> </tbody> </table> <p>配置/CONFIGURATION 13PCS 1/2" Dr. Socket (10, 12, 13, 14, 15, 17, 19, 21, 22, 24, 27, 30, 32mm)</p>	编号/ITEM NO.	尺寸/SIZE	装箱数/PCS	1268013	13PCS(6PT)	4	1288013	13PCS(12PT)	4	<table border="1"> <thead> <tr> <th>编号/ITEM NO.</th> <th>尺寸/SIZE</th> <th>装箱数/PCS</th> </tr> </thead> <tbody> <tr> <td>1268014</td> <td>14PCS(6PT)</td> <td>2</td> </tr> <tr> <td>1288014</td> <td>14PCS(12PT)</td> <td>2</td> </tr> </tbody> </table> <p>配置/CONFIGURATION 14PCS 1/2" Dr. Socket (10, 12, 13, 14, 15, 17, 18, 19, 21, 22, 24, 27, 30, 32mm)</p>	编号/ITEM NO.	尺寸/SIZE	装箱数/PCS	1268014	14PCS(6PT)	2	1288014	14PCS(12PT)	2	旋具套筒 Hex Impact Socket Bit
编号/ITEM NO.	尺寸/SIZE	装箱数/PCS																																																											
1268110	10PCS(6PT)	20																																																											
1288110	10PCS(12PT)	20																																																											
编号/ITEM NO.	尺寸/SIZE	装箱数/PCS																																																											
1268010	10PCS(6PT)	10																																																											
1288010	10PCS(12PT)	10																																																											
编号/ITEM NO.	尺寸/SIZE	装箱数/PCS																																																											
1263811	11PCS(6PT)	10																																																											
1283811	11PCS(12PT)	10																																																											
编号/ITEM NO.	尺寸/SIZE	装箱数/PCS																																																											
1268012	12PCS(6PT)	4																																																											
1288012	12PCS(12PT)	4																																																											
编号/ITEM NO.	尺寸/SIZE	装箱数/PCS																																																											
1268013	13PCS(6PT)	4																																																											
1288013	13PCS(12PT)	4																																																											
编号/ITEM NO.	尺寸/SIZE	装箱数/PCS																																																											
1268014	14PCS(6PT)	2																																																											
1288014	14PCS(12PT)	2																																																											

万向节 Universal Joints 转换头 Impact Adaptor	<b>10件12.5MM系列套筒组套</b> 10PCS 1/2" Dr. Socket Wrench Set	<b>11件12.5MM系列套筒组套</b> 11PCS 1/2" Dr. Socket Wrench Set	<b>11件12.5MM系列套筒组套</b> 11PCS 1/2" Dr. Socket Wrench Set	<b>14件12.5MM系列套筒组套</b> 14PCS 1/2" Dr. Socket Wrench Set	<b>14件12.5MM系列套筒组套</b> 14PCS 1/2" Dr. Socket Wrench Set	<b>14件12.5MM系列套筒组套</b> 14PCS 1/2" Dr. Socket Wrench Set	万向节 Universal Joints 转换头 Impact Adaptor																																																						
P37-38							P37-38																																																						
接杆弯杆 杆类附件 Extension Bar&Tools& Accessories							接杆弯杆 杆类附件 Extension Bar&Tools& Accessories																																																						
P39-40							P39-40																																																						
棘轮 Ratchet Wrench							棘轮 Ratchet Wrench																																																						
P41							P41																																																						
套装 Impact Socket Set							套装 Impact Socket Set																																																						
P42-65							P42-65																																																						
大车 专用工具 Axle Head Socket	<table border="1"> <thead> <tr> <th>编号/ITEM NO.</th> <th>尺寸/SIZE</th> <th>装箱数/PCS</th> </tr> </thead> <tbody> <tr> <td>1268210</td> <td>10PCS(6PT)</td> <td>10</td> </tr> <tr> <td>1288210</td> <td>10PCS(12PT)</td> <td>10</td> </tr> </tbody> </table> <p>配置/CONFIGURATION 10PCS 1/2" Dr. Socket (10, 11, 12, 13, 14, 17, 19, 21, 22, 24mm)</p>	编号/ITEM NO.	尺寸/SIZE	装箱数/PCS	1268210	10PCS(6PT)	10	1288210	10PCS(12PT)	10	<table border="1"> <thead> <tr> <th>编号/ITEM NO.</th> <th>尺寸/SIZE</th> <th>装箱数/PCS</th> </tr> </thead> <tbody> <tr> <td>1268611</td> <td>11PCS(6PT)</td> <td>10</td> </tr> <tr> <td>1288811</td> <td>11PCS(12PT)</td> <td>10</td> </tr> </tbody> </table> <p>配置/CONFIGURATION 11PCS 1/2" Dr. Socket (10, 11, 12, 13, 14, 15, 17, 19, 21, 22, 24mm)</p>	编号/ITEM NO.	尺寸/SIZE	装箱数/PCS	1268611	11PCS(6PT)	10	1288811	11PCS(12PT)	10	<table border="1"> <thead> <tr> <th>编号/ITEM NO.</th> <th>尺寸/SIZE</th> <th>装箱数/PCS</th> </tr> </thead> <tbody> <tr> <td>1268011</td> <td>11PCS(6PT)</td> <td>4</td> </tr> <tr> <td>1288011</td> <td>11PCS(12PT)</td> <td>4</td> </tr> </tbody> </table> <p>配置/CONFIGURATION 11PCS 1/2" Dr. Socket (10, 11, 12, 13, 15, 17, 19, 21, 22, 24, 27mm)</p>	编号/ITEM NO.	尺寸/SIZE	装箱数/PCS	1268011	11PCS(6PT)	4	1288011	11PCS(12PT)	4	<table border="1"> <thead> <tr> <th>编号/ITEM NO.</th> <th>尺寸/SIZE</th> <th>装箱数/PCS</th> </tr> </thead> <tbody> <tr> <td>1268114</td> <td>14PCS(6PT)</td> <td>10</td> </tr> <tr> <td>1288114</td> <td>14PCS(12PT)</td> <td>10</td> </tr> </tbody> </table> <p>配置/CONFIGURATION 14PCS 1/2" Dr. Socket (10, 12, 13, 14, 15, 17, 18, 19, 21, 22, 24, 27, 30, 32mm)</p>	编号/ITEM NO.	尺寸/SIZE	装箱数/PCS	1268114	14PCS(6PT)	10	1288114	14PCS(12PT)	10	<table border="1"> <thead> <tr> <th>编号/ITEM NO.</th> <th>尺寸/SIZE</th> <th>装箱数/PCS</th> </tr> </thead> <tbody> <tr> <td>1268214</td> <td>14PCS(6PT)</td> <td>10</td> </tr> <tr> <td>1288214</td> <td>14PCS(12PT)</td> <td>10</td> </tr> </tbody> </table> <p>配置/CONFIGURATION 14PCS 1/2" Dr. Socket (10, 12, 13, 14, 15, 17, 18, 19, 21, 22, 24, 27, 30, 32mm)</p>	编号/ITEM NO.	尺寸/SIZE	装箱数/PCS	1268214	14PCS(6PT)	10	1288214	14PCS(12PT)	10	<table border="1"> <thead> <tr> <th>编号/ITEM NO.</th> <th>尺寸/SIZE</th> <th>装箱数/PCS</th> </tr> </thead> <tbody> <tr> <td>1263814</td> <td>14PCS(6PT)</td> <td>5</td> </tr> <tr> <td>1283814</td> <td>14PCS(12PT)</td> <td>5</td> </tr> </tbody> </table> <p>配置/CONFIGURATION 14PCS 1/2" Dr. Socket (10, 11, 12, 13, 14, 16, 17, 19, 21, 22, 24, 27, 30, 32mm)</p>	编号/ITEM NO.	尺寸/SIZE	装箱数/PCS	1263814	14PCS(6PT)	5	1283814	14PCS(12PT)	5	大车 专用工具 Axle Head Socket
编号/ITEM NO.	尺寸/SIZE	装箱数/PCS																																																											
1268210	10PCS(6PT)	10																																																											
1288210	10PCS(12PT)	10																																																											
编号/ITEM NO.	尺寸/SIZE	装箱数/PCS																																																											
1268611	11PCS(6PT)	10																																																											
1288811	11PCS(12PT)	10																																																											
编号/ITEM NO.	尺寸/SIZE	装箱数/PCS																																																											
1268011	11PCS(6PT)	4																																																											
1288011	11PCS(12PT)	4																																																											
编号/ITEM NO.	尺寸/SIZE	装箱数/PCS																																																											
1268114	14PCS(6PT)	10																																																											
1288114	14PCS(12PT)	10																																																											
编号/ITEM NO.	尺寸/SIZE	装箱数/PCS																																																											
1268214	14PCS(6PT)	10																																																											
1288214	14PCS(12PT)	10																																																											
编号/ITEM NO.	尺寸/SIZE	装箱数/PCS																																																											
1263814	14PCS(6PT)	5																																																											
1283814	14PCS(12PT)	5																																																											
P66							P66																																																						

# IMPACT SOCKET SET

## 1/2"套筒组套

# IMPACT SOCKET SET

## 1/2"套筒组套

- 套筒  
Impact  
Sockets
- 3/8 "
- P1-2
- 1/2 "
- P3-11
- 3/4 "
- P12-20
- 1 "
- P21-29
- 1-1/2 "
- P30-31
- 2-1/2 "
- P32
- 旋具套筒  
Hex Impact  
Socket Bit
- P33-36
- 万向节  
Universal  
Joints  
转换头  
Impact  
Adaptor
- P37-38
- 接杆弯杆  
杆类附件  
Extension  
Bar&Tools&  
Accessories
- P39-40
- 棘轮  
Ratchet  
Wrench
- P41
- 套装  
Impact  
Socket Set
- P42-65
- 大车  
专用工具  
Axle Head  
Socket
- P66

**15件12.5MM系列套筒组套**  
15PCS 1/2" Dr. Socket Wrench Set



编号/ITEM NO.	尺寸/SIZE	装箱数/PCS
1263815	15PCS(6PT)	5
1283815	15PCS(12PT)	5

配置/CONFIGURATION  
15PCS | 1/2" Dr. Socket  
(10、12、13、14、15、16、17、18、19、21、22、24、27、30、32mm)

**15件12.5MM系列套筒组套 长**  
15PCS 1/2" Dr. Socket Wrench Set



编号/ITEM NO.	尺寸/SIZE	装箱数/PCS
1268015	15PCS(6PT)	2
1288015	15PCS(12PT)	2

配置/CONFIGURATION  
15PCS | 1/2" Dr. Socket  
(10、11、12、13、14、15、16、17、18、19、21、24、27、30、32mm)

**15件12.5MM系列套筒组套**  
15PCS 1/2" Dr. Socket Wrench Set



编号/ITEM NO.	尺寸/SIZE	装箱数/PCS
1268115	15PCS(6PT)	2
1288115	15PCS(12PT)	2

配置/CONFIGURATION  
15PCS | 1/2" Dr. Socket  
(10、12、13、14、15、16、17、18、19、21、22、24、27、30、32mm)

**16件12.5MM系列套筒组套**  
16PCS 1/2" Dr. Socket Wrench Set



编号/ITEM NO.	尺寸/SIZE	装箱数/PCS
1278016	16PCS(6PT)	2
1278116	16PCS(12PT)	2

配置/CONFIGURATION  
12PCS | 1/2" Dr. Socket:  
10、11、12、13、14、16、17、18、19、21、22、24  
2PCS | 1/2" Extension Bar(5" and 10")  
1PC | 1/2" Universal Joint  
1PC | 1/2" Ratchet Handle

**18件12.5MM系列套筒组套**  
18PCS 1/2" Dr. Socket Wrench Set



编号/ITEM NO.	尺寸/SIZE	装箱数/PCS
1238018	18PCS(6PT)	2
1283018	18PCS(12PT)	2

配置/CONFIGURATION  
16PCS | 1/2" Dr. Socket  
(8、10、12、13、14、15、16、17、18、19、21、22、24、27、30、32mm)  
1PC | 3" Extension Bar  
1PC | 1/2" Universal joint

**18件12.5MM系列套筒组套**  
18PCS 1/2" Dr. Socket Wrench Set



编号/ITEM NO.	尺寸/SIZE	装箱数/PCS
1268018	18PCS(6PT)	2
1288018	18PCS(12PT)	2

配置/CONFIGURATION  
18PCS | 1/2" Dr. Socket  
(10、12、13、14、15、16、17、18、19、21、22、24、27、30、32、34、36、38mm)

- 套筒  
Impact  
Sockets
- 3/8 "
- P1-2
- 1/2 "
- P3-11
- 3/4 "
- P12-20
- 1 "
- P21-29
- 1-1/2 "
- P30-31
- 2-1/2 "
- P32
- 旋具套筒  
Hex Impact  
Socket Bit
- P33-36
- 万向节  
Universal  
Joints  
转换头  
Impact  
Adaptor
- P37-38
- 接杆弯杆  
杆类附件  
Extension  
Bar&Tools&  
Accessories
- P39-40
- 棘轮  
Ratchet  
Wrench
- P41
- 套装  
Impact  
Socket Set
- P42-65
- 大车  
专用工具  
Axle Head  
Socket
- P66

**16件12.5MM系列套筒组套**  
16PCS 1/2" Dr. Socket Wrench Set



编号/ITEM NO.	尺寸/SIZE	装箱数/PCS
1238016	16PCS(6PT)	10
1283016	16PCS(12PT)	10

配置/CONFIGURATION  
15PCS | 1/2" Dr. Socket  
(8、10、11、12、13、14、15、16、17、18、19、21、22、24、27mm)  
1PC | 3" Extension Bar

**16件12.5MM系列套筒组套**  
16PCS 1/2" Dr. Socket Wrench Set



编号/ITEM NO.	尺寸/SIZE	装箱数/PCS
1268116	16PCS(6PT)	4
1288116	16PCS(12PT)	4

配置/CONFIGURATION  
14PCS | 1/2" Dr. Socket  
(10、11、12、13、14、15、16、17、18、19、21、22、23、24mm)  
1PC | 5" Extension Bar  
1PC | 1/2" Universal joint

**16件12.5MM系列套筒组套**  
16PCS 1/2" Dr. Socket Wrench Set



编号/ITEM NO.	尺寸/SIZE	装箱数/PCS
1268016	16PCS(6PT)	2
1288016	16PCS(12PT)	2

配置/CONFIGURATION  
16PCS | 1/2" Dr. Socket  
(10、11、12、13、14、15、16、17、18、19、21、22、24、27、30、32mm)

**20件12.5MM系列套筒组套**  
20PCS 1/2" Dr. Socket Wrench Set



编号/ITEM NO.	尺寸/SIZE	装箱数/PCS
1268020	20PCS(6PT)	2
1288020	20PCS(12PT)	2

配置/CONFIGURATION  
20PCS | 1/2" Dr. Socket  
(8、9、10、11、12、13、14、15、16、17、18、19、20、21、22、23、24、27、30、32mm)

**20件12.5MM系列套筒组套(长+短)**  
20PCS 1/2" Dr. Socket Wrench Set



编号/ITEM NO.	尺寸/SIZE	装箱数/PCS
1268120	20PCS(6PT)	8
1288120	20PCS(12PT)	8

配置/CONFIGURATION  
10PCS | 1/2" Dr. Socket (78L)  
(8、9、10、11、12、13、14、15、16、17mm)  
10PCS | 1/2" Dr. Socket (38L)  
(8、9、10、11、12、13、14、15、16、17mm)

**22件12.5MM系列套筒组套**  
22PCS 1/2" Dr. Socket Wrench Set



编号/ITEM NO.	尺寸/SIZE	装箱数/PCS
1238022	22PCS(6PT)	2
1238122	22PCS(12PT)	2

配置/CONFIGURATION  
17PCS | 1/2" Dr. Socket:  
10、11、12、13、14、15、16、17、18、19、20、21、22、24、27、30、32  
2PCS | 1/2" Extension Bar(3" and 10")  
1PC | 1/2" Universal Joint  
1PC | 1/2" Ratchet Handle  
1PC | 1/2" Sliding

# IMPACT SOCKET SET

1/2" 套筒组套

# IMPACT SOCKET SET

1/2" 套筒组套

套筒  
Impact  
Sockets

3/8 "

P1-2

1/2 "

P3-11

3/4 "

P12-20

1 "

P21-29

1-1/2 "

P30-31

2-1/2 "

P32

旋具套筒  
Hex Impact  
Socket Bit

## 23件12.5MM系列套筒组套

23PCS 1/2" Dr. Socket Wrench Set



编号/ITEM NO.	尺寸/SIZE	装箱数/PCS
1268023	23PCS(6PT)	2
1288023	23PCS(12PT)	2

### 配置/CONFIGURATION

- 17PCS 1/2" Dr. Socket  
(8, 10, 11, 12, 13, 14, 15, 16, 17, 18, 19, 21, 22, 24, 27, 30, 32mm)
- 1PC 1/2" Dr. Ratchet Handle
- 1PC 1/2" Dr. Sliding T-Bar(10")
- 1PC 1/2" Dr. Extension Bar(5")
- 1PC 1/2" Dr. Spark Plug Socket(21mm)
- 1PC 1/2" Dr. Universal Joint

P33-36

万向节  
Universal  
Joints

转换头  
Impact  
Adaptor

P37-38

接杆弯杆  
杆类附件  
Extension  
Bar&Tools&  
Accessories

P39-40

棘轮  
Ratchet  
Wrench

P41

套装  
Impact  
Socket Set

P42-65

大车  
专用工具  
Axle Head  
Socket

P66

## 30件12.5MM系列套筒组套

30PCS 1/2" Dr. Socket Wrench Set



编号/ITEM NO.	尺寸/SIZE	装箱数/PCS
1203830	30PCS(6PT&12PT)	2

### 配置/CONFIGURATION

- 19PCS 1/2" Dr. 6PT Socket (8, 9, 10, 11, 12, 13, 14, 15, 16, 17, 18, 19, 20, 21, 22, 24, 27, 30, 32mm)
- 6PCS 1/2" Dr. 12PT Socket (10, 12, 14, 15, 17, 19mm)
- 1PC 1/2" Dr. Ratchet Handle
- 1PC 1/2" Dr. Sliding T-Bar(10")
- 1PC 1/2" Dr. Extension Bar(5")
- 1PC 1/2" Dr. Spark Plug Socket(21mm)
- 1PC 1/2" Dr. Universal Joint

## 23件12.5MM系列套筒组套

23PCS 1/2" Dr. Socket Wrench Set



编号/ITEM NO.	尺寸/SIZE	装箱数/PCS
1263823	23PCS(6PT)	2
1283823	23PCS(12PT)	2

### 配置/CONFIGURATION

- 17PCS 1/2" Dr. Socket  
(8, 10, 11, 12, 13, 14, 15, 16, 17, 18, 19, 21, 22, 24, 27, 30, 32mm)
- 1PC 1/2" Dr. Ratchet Handle
- 1PC 1/2" Dr. Sliding T-Bar(10")
- 1PC 1/2" Dr. Extension Bar(5")
- 1PC 1/2" Dr. Spark Plug Socket(21mm)
- 1PC 1/2" Dr. Universal Joint

## 27件12.5MM系列套筒组套

27PCS 1/2" Dr. Socket Wrench Set



编号/ITEM NO.	尺寸/SIZE	装箱数/PCS
1238027	27PCS(6PT)	2
1238127	27PCS(12PT)	2

### 配置/CONFIGURATION

- 13PCS 1/2" Dr. Socket:  
10, 11, 12, 13, 14, 15, 16, 17, 18, 19, 21, 22, 24
- 11PCS 1/2" Dr. Deep Socket:  
8, 10, 12, 13, 14, 15, 17, 19, 21, 22, 24
- 1PC 1/2" Extension Bar(3")
- 1PC 1/2" Universal Joint
- 1PC 1/2" L Bar(10")



## 35件12.5MM系列套筒组套

35PCS 1/2" Dr. Socket Wrench Set



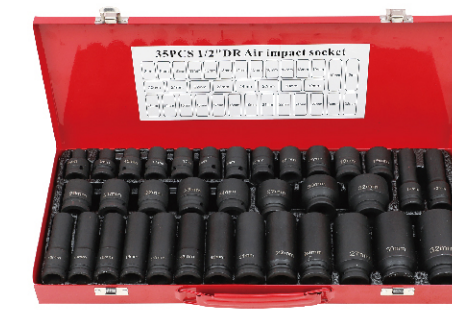
编号/ITEM NO.	尺寸/SIZE	装箱数/PCS
1238335	35PCS(6PT)	2
1238435	35PCS(12PT)	2

### 配置/CONFIGURATION

- 20PCS 1/2" Dr. Socket:  
8, 9, 10, 11, 12, 13, 14, 15, 16, 17, 18, 19, 20, 21, 22, 23, 24, 27, 30, 32
- 15PCS 1/2" Dr. Deep Socket:  
10, 12, 13, 14, 15, 16, 17, 18, 19, 21, 22, 24, 27, 30, 32

## 35件12.5MM系列套筒组套

35PCS 1/2" Dr. Socket Wrench Set



编号/ITEM NO.	尺寸/SIZE	装箱数/PCS
1238035	35PCS(6PT)	1
1283035	35PCS(12PT)	1

### 配置/CONFIGURATION

- 20PCS 1/2" Dr. 6PT Socket  
(8, 9, 10, 11, 12, 13, 14, 15, 16, 17, 18, 19, 20, 21, 22, 23, 24, 27, 30, 32mm)
- 15PCS 1/2" Dr. 6PT Deep Socket  
(10, 12, 13, 14, 15, 16, 17, 18, 19, 21, 22, 24, 27, 30, 32mm)

## 35件12.5MM系列套筒组套

35PCS 1/2" Dr. Socket Wrench Set



编号/ITEM NO.	尺寸/SIZE	装箱数/PCS
1238135	35PCS(6PT)	2
1238235	35PCS(12PT)	2

### 配置/CONFIGURATION

- 20PCS 1/2" Dr. Socket:  
8, 9, 10, 11, 12, 13, 14, 15, 16, 17, 18, 19, 20, 21, 22, 23, 24, 27, 30, 32
- 14PCS 1/2" Dr. Deep Socket:  
8, 10, 11, 12, 13, 14, 15, 16, 17, 18, 19, 21, 22, 24
- 1PC 1/2" L Bar(10")

## 37件12.5MM系列套筒组套

37PCS 1/2" Dr. Socket Wrench Set



编号/ITEM NO.	尺寸/SIZE	装箱数/PCS
1238037	37PCS(6PT)	1
1283037	37PCS(12PT)	1

### 配置/CONFIGURATION

- 20PCS 1/2" Dr. 6PT Socket  
(8, 9, 10, 11, 12, 13, 14, 15, 16, 17, 18, 19, 20, 21, 22, 23, 24, 27, 30, 32mm)
- 16PCS 1/2" Dr. 6PT Deep Socket  
(10, 12, 13, 14, 15, 16, 17, 18, 19, 21, 22, 24, 27, 30, 32, 36mm)
- 1PC 1/2" Universal Joint

套筒  
Impact  
Sockets

3/8 "

P1-2

1/2 "

P3-11

3/4 "

P12-20

1 "

P21-29

1-1/2 "

P30-31

2-1/2 "

P32

旋具套筒  
Hex Impact  
Socket Bit

P33-36

万向节  
Universal  
Joints

转换头  
Impact  
Adaptor

P37-38

接杆弯杆  
杆类附件  
Extension  
Bar&Tools&  
Accessories

P39-40

棘轮  
Ratchet  
Wrench

P41

套装  
Impact  
Socket Set

P42-65

大车  
专用工具  
Axle Head  
Socket

P66

# IMPACT SOCKET SET

## 1/2" 套筒组套

# IMPACT SOCKET SET

## 3/4" 套筒组套

套筒  
Impact  
Sockets

43件12.5MM系列套筒组套  
43PCS 1/2" Dr. Socket Wrench Set



编号/ITEM NO.	尺寸/SIZE	装箱数/PCS
1238043	43PCS	1

配置/CONFIGURATION

19PCS 1/2" Dr. Socket:  
9、11、12、14、16、17、19、21、  
22、24、25、27、29、30、32、  
33、35、37、38

19PCS 1/2" Dr. Socket:  
9、11、12、14、16、17、19、21、  
22、24、25、27、29、30、32、  
33、35、37、38

3PCS 1/2" Extension Bar (3"、5" and 10")

1PC 1/2" Universal Joint

1PC 1/2" 72 Ratchet Handle

3/8"  
P1-2  
1/2"  
P3-11  
3/4"  
P12-20  
1"  
P21-29  
1-1/2"  
P30-31  
2-1/2"  
P32

旋具套筒  
Hex Impact  
Socket Bit

8件19MM系列套筒组套  
8PCS 3/4" Dr. Socket Wrench Set



编号/ITEM NO.	尺寸/SIZE	装箱数/PCS
1908008	8PCS(6PT)	2

配置/CONFIGURATION

8PCS 3/4" Dr. Socker  
(22、24、27、30、32、36、38、41mm)

编号/ITEM NO.	尺寸/SIZE	装箱数/PCS
1908008	8PCS(6PT)	2

配置/CONFIGURATION

8PCS 3/4" Dr. Socker  
(22、24、27、30、32、36、38、41mm)

8件19MM系列套筒组套  
8PCS 3/4" Dr. Socket Wrench Set



编号/ITEM NO.	尺寸/SIZE	装箱数/PCS
1908108	8PCS(6PT)	1

配置/CONFIGURATION

8PCS 3/4" Dr. Socker  
72L (2-1/16"、2-1/8"、2-3/16"、  
2-1/4")  
75L (2-5/16"、2-3/8"、2-7/16"、  
2-1/2")

9件19MM系列套筒组套  
9PCS 3/4" Dr. Socket Wrench Set



编号/ITEM NO.	尺寸/SIZE	装箱数/PCS
1908109	9PCS(6PT)	1

配置/CONFIGURATION

9PCS 3/4" Dr. Socker  
(22、24、27、30、32、36、38、41、  
46、50mm)

套筒  
Impact  
Sockets

3/8"  
P1-2  
1/2"  
P3-11  
3/4"  
P12-20  
1"  
P21-29  
1-1/2"  
P30-31  
2-1/2"  
P32

旋具套筒  
Hex Impact  
Socket Bit

43件12.5MM系列套筒组套  
43PCS 1/2" Dr. Socket Wrench Set



编号/ITEM NO.	尺寸/SIZE	装箱数/PCS
1283043	43PCS	1

配置/CONFIGURATION

19PCS 1/2" Dr. Socket:  
3/8、7/16、1/2、9/16、5/8、11/16、  
3/4、13/16、7/8、15/16、1、1-1/16、  
1-1/8、1-3/16、1-1/4、1-5/16、  
1-3/8、1-7/16、1-1/2

19PCS 1/2" Dr. Socket:  
3/8、7/16、1/2、9/16、5/8、11/16、  
3/4、13/16、7/8、15/16、1、1-1/16、  
1-1/8、1-3/16、1-1/4、1-5/16、  
1-3/8、1-7/16、1-1/2

3PCS 1/2" Extension Bar (3"、5" and 10")

1PC 1/2" Universal Joint

1PC 1/2" 72 Ratchet Handle

3/8"  
P1-2  
1/2"  
P3-11  
3/4"  
P12-20  
1"  
P21-29  
1-1/2"  
P30-31  
2-1/2"  
P32

旋具套筒  
Hex Impact  
Socket Bit

P33-36  
万向节  
Universal  
Joints  
转换头  
Impact  
Adaptor

P37-38  
接杆弯杆  
杆类附件  
Extension  
Bar&Tools&  
Accessories

P39-40  
棘轮  
Ratchet  
Wrench

P41  
套装  
Impact  
Socket Set

P42-65  
大车  
专用工具  
Axle Head  
Socket

P66

10件19MM系列套筒组套  
10PCS 3/4" Dr. Socket Wrench Set



编号/ITEM NO.	尺寸/SIZE	装箱数/PCS
1908010	10PCS(6PT)	2

配置/CONFIGURATION

10PCS 3/4" Dr. Socker  
(22、24、27、30、32、33、34、36、  
38、41mm)

12件19MM系列套筒组套  
12PCS 3/4" Dr. Socket Wrench Set



编号/ITEM NO.	尺寸/SIZE	装箱数/PCS
1908012	12PCS(6PT)	2

配置/CONFIGURATION

12PCS 3/4" Dr. 6PT Socker  
(24、26、27、29、30、32、33、34、  
35、36、38、41mm)

13件19MM系列套筒组套  
13PCS 3/4" Dr. Socket Wrench Set



编号/ITEM NO.	尺寸/SIZE	装箱数/PCS
1908013	13PCS	1

配置/CONFIGURATION

13PCS 3/4" Dr. Socker  
(19、22、24、27、30、32、33、36、  
38、41、46、50mm)  
3/4" L Handle 16"

套筒  
Impact  
Sockets

3/8"  
P1-2  
1/2"  
P3-11  
3/4"  
P12-20  
1"  
P21-29  
1-1/2"  
P30-31  
2-1/2"  
P32

旋具套筒  
Hex Impact  
Socket Bit

P33-36  
万向节  
Universal  
Joints  
转换头  
Impact  
Adaptor

P37-38  
接杆弯杆  
杆类附件  
Extension  
Bar&Tools&  
Accessories

P39-40  
棘轮  
Ratchet  
Wrench

P41  
套装  
Impact  
Socket Set

P42-65  
大车  
专用工具  
Axle Head  
Socket

P66

# IMPACT SOCKET SET

3/4" 套筒组套

# IMPACT SOCKET SET

3/4" 套筒组套

套筒 Impact Sockets	<b>21件19MM系列套筒组套</b> 21PCS 3/4" Dr. Socket Wrench Set	<b>21件19MM系列套筒组套</b> 21PCS 3/4" Dr. Socket Wrench Set	<b>21件19MM系列套筒组套</b> 21PCS 3/4" Dr. Socket Wrench Set																					
3/8 "																								
P1-2																								
1/2 "																								
P3-11																								
3/4 "																								
P12-20																								
1 "																								
P21-29																								
1-1/2 "	<table border="1"> <thead> <tr> <th>编号/ITEM NO.</th> <th>尺寸/SIZE</th> <th>装箱数/PCS</th> </tr> </thead> <tbody> <tr> <td>1915621</td> <td>21PCS(6PT)</td> <td>1</td> </tr> </tbody> </table>	编号/ITEM NO.	尺寸/SIZE	装箱数/PCS	1915621	21PCS(6PT)	1	<table border="1"> <thead> <tr> <th>编号/ITEM NO.</th> <th>尺寸/SIZE</th> <th>装箱数/PCS</th> </tr> </thead> <tbody> <tr> <td>1916621</td> <td>21PCS(6PT)</td> <td>1</td> </tr> <tr> <td>1916721</td> <td>21PCS(12PT)</td> <td>1</td> </tr> </tbody> </table>	编号/ITEM NO.	尺寸/SIZE	装箱数/PCS	1916621	21PCS(6PT)	1	1916721	21PCS(12PT)	1	<table border="1"> <thead> <tr> <th>编号/ITEM NO.</th> <th>尺寸/SIZE</th> <th>装箱数/PCS</th> </tr> </thead> <tbody> <tr> <td>1965621</td> <td>21PCS(6PT)</td> <td>1</td> </tr> </tbody> </table>	编号/ITEM NO.	尺寸/SIZE	装箱数/PCS	1965621	21PCS(6PT)	1
编号/ITEM NO.	尺寸/SIZE	装箱数/PCS																						
1915621	21PCS(6PT)	1																						
编号/ITEM NO.	尺寸/SIZE	装箱数/PCS																						
1916621	21PCS(6PT)	1																						
1916721	21PCS(12PT)	1																						
编号/ITEM NO.	尺寸/SIZE	装箱数/PCS																						
1965621	21PCS(6PT)	1																						
P30-31	配置/CONFIGURATION	配置/CONFIGURATION	配置/CONFIGURATION																					
2-1/2 "	16PCS 3/4 " Dr. 6PT Socket (19, 21, 22, 23, 24, 26, 27, 28, 30, 32, 34, 36, 38, 41, 46, 50mm) 2PCS 3/4 " Dr. Extension Bar(4 " , 8 " ) 1PC 3/4 " Dr. Sliding T-Bar(20 " ) 1PC 3/4 " Dr. Ratchet Handle(20 " ) 1PC 3/4 " Dr. Sliding Head	17PCS 3/4 " Dr. Deep Socket (7/8, 13/16, 15/16, 1, 1-1/16, 1-1/8, 1-3/16, 1-1/4, 1-5/16, 1-3/8, 1-7/16, 1-1/2, 1-5/8, 1-3/4, 1-13/16, 1-7/8, 2) 2PCS 3/4 " Dr. Extension Bar(6 " , 10 " ) 1PC 3/4 " Dr. Sliding T-Bar(20 " ) 1PC 3/4 " Dr. Ratchet Handle	16PCS 3/4 " Dr. 6PT Socket (19, 21, 22, 23, 24, 26, 27, 28, 30, 32, 34, 36, 38, 41, 46, 50mm) 2PCS 3/4 " Dr. Extension Bar(4 " , 8 " ) 1PC 3/4 " Dr. Sliding T-Bar(20 " ) 1PC 3/4 " Dr. Ratchet Handle(20 " ) 1PC 3/4 " Dr. Sliding Head																					
P32																								
旋具套筒 Hex Impact Socket Bit																								

套筒 Impact Sockets	<b>26件19MM系列套筒组套</b> 26PCS 3/4" Dr. Socket Wrench Set	<b>26件19MM系列套筒组套</b> 26PCS 3/4" Dr. Socket Wrench Set	<b>26件19MM系列套筒组套</b> 26PCS 3/4" Dr. Socket Wrench Set																		
3/8 "																					
P1-2																					
1/2 "																					
P3-11																					
3/4 "																					
P12-20																					
1 "																					
P21-29																					
1-1/2 "	<table border="1"> <thead> <tr> <th>编号/ITEM NO.</th> <th>尺寸/SIZE</th> <th>装箱数/PCS</th> </tr> </thead> <tbody> <tr> <td>1965626</td> <td>26PCS(12PT)</td> <td>1</td> </tr> </tbody> </table>	编号/ITEM NO.	尺寸/SIZE	装箱数/PCS	1965626	26PCS(12PT)	1	<table border="1"> <thead> <tr> <th>编号/ITEM NO.</th> <th>尺寸/SIZE</th> <th>装箱数/PCS</th> </tr> </thead> <tbody> <tr> <td>1985626</td> <td>26PCS(6PT)</td> <td>1</td> </tr> </tbody> </table>	编号/ITEM NO.	尺寸/SIZE	装箱数/PCS	1985626	26PCS(6PT)	1	<table border="1"> <thead> <tr> <th>编号/ITEM NO.</th> <th>尺寸/SIZE</th> <th>装箱数/PCS</th> </tr> </thead> <tbody> <tr> <td>1985626</td> <td>26PCS(6PT)</td> <td>1</td> </tr> </tbody> </table>	编号/ITEM NO.	尺寸/SIZE	装箱数/PCS	1985626	26PCS(6PT)	1
编号/ITEM NO.	尺寸/SIZE	装箱数/PCS																			
1965626	26PCS(12PT)	1																			
编号/ITEM NO.	尺寸/SIZE	装箱数/PCS																			
1985626	26PCS(6PT)	1																			
编号/ITEM NO.	尺寸/SIZE	装箱数/PCS																			
1985626	26PCS(6PT)	1																			
P30-31	配置/CONFIGURATION	配置/CONFIGURATION	配置/CONFIGURATION																		
2-1/2 "	17PCS 3/4 " Dr. Socket (21, 22, 23, 24, 26, 27, 28, 29, 30, 31, 32, 34, 36, 38, 41, 46, 50mm) 3PCS 1 " Dr. 12PT Socket(55, 60, 65mm) 2PCS 3/4 " Dr. Extension Bar(8 " , 20 " ) 1PC 3/4 " Dr. Sliding T-Bar(20 " ) 1PC 3/4 " Dr. Ratchet Handle 1PC 1 " Dr. Sliding Head 1PC 3/4 " Dr. L Handle	17PCS 3/4 " Dr. Socket (21, 22, 23, 24, 26, 27, 28, 29, 30, 31, 32, 34, 36, 38, 41, 46, 50mm) 3PCS 1 " Dr. 12PT Socket(55, 60, 65mm) 2PCS 3/4 " Dr. Extension Bar(8 " , 20 " ) 1PC 3/4 " Dr. Sliding T-Bar(20 " ) 1PC 3/4 " Dr. Ratchet Handle 1PC 1 " Dr. Sliding Head 1PC 3/4 " Dr. L Handle	17PCS 3/4 " Dr. Socket (21, 22, 23, 24, 26, 27, 28, 29, 30, 31, 32, 34, 36, 38, 41, 46, 50mm) 3PCS 1 " Dr. 12PT Socket(55, 60, 65mm) 2PCS 3/4 " Dr. Extension Bar(8 " , 20 " ) 1PC 3/4 " Dr. Sliding T-Bar(20 " ) 1PC 3/4 " Dr. Ratchet Handle 1PC 1 " Dr. Sliding Head 1PC 3/4 " Dr. L Handle																		
P32																					
旋具套筒 Hex Impact Socket Bit																					

万向节 Universal Joints 转换头 Impact Adaptor	<b>21件19MM系列套筒组套</b> 21PCS 3/4" Dr. Socket Wrench Set	<b>21件19MM系列套筒组套</b> 21PCS 3/4" Dr. Socket Wrench Set	<b>26件19MM系列套筒组套</b> 26PCS 3/4" Dr. Socket Wrench Set																		
P37-38																					
接杆弯杆 杆类附件 Extension Bar&Tools& Accessories																					
P39-40																					
棘轮 Ratchet Wrench																					
P41																					
套装 Impact Socket Set	<table border="1"> <thead> <tr> <th>编号/ITEM NO.</th> <th>尺寸/SIZE</th> <th>装箱数/PCS</th> </tr> </thead> <tbody> <tr> <td>1985621</td> <td>21PCS(12PT)</td> <td>1</td> </tr> </tbody> </table>	编号/ITEM NO.	尺寸/SIZE	装箱数/PCS	1985621	21PCS(12PT)	1	<table border="1"> <thead> <tr> <th>编号/ITEM NO.</th> <th>尺寸/SIZE</th> <th>装箱数/PCS</th> </tr> </thead> <tbody> <tr> <td>1925621</td> <td>21PCS(12PT)</td> <td>1</td> </tr> </tbody> </table>	编号/ITEM NO.	尺寸/SIZE	装箱数/PCS	1925621	21PCS(12PT)	1	<table border="1"> <thead> <tr> <th>编号/ITEM NO.</th> <th>尺寸/SIZE</th> <th>装箱数/PCS</th> </tr> </thead> <tbody> <tr> <td>1955626</td> <td>26PCS(12PT)</td> <td>1</td> </tr> </tbody> </table>	编号/ITEM NO.	尺寸/SIZE	装箱数/PCS	1955626	26PCS(12PT)	1
编号/ITEM NO.	尺寸/SIZE	装箱数/PCS																			
1985621	21PCS(12PT)	1																			
编号/ITEM NO.	尺寸/SIZE	装箱数/PCS																			
1925621	21PCS(12PT)	1																			
编号/ITEM NO.	尺寸/SIZE	装箱数/PCS																			
1955626	26PCS(12PT)	1																			
P42-65	配置/CONFIGURATION	配置/CONFIGURATION	配置/CONFIGURATION																		
大车 专用工具 Axle Head Socket	16PCS 3/4 " Dr. 12PT Socket (19, 21, 22, 23, 24, 26, 27, 28, 30, 32, 34, 36, 38, 41, 46, 50mm) 2PCS 3/4 " Dr. Extension Bar(4 " , 8 " ) 1PC 3/4 " Dr. Sliding T-Bar(20 " ) 1PC 3/4 " Dr. Ratchet Handle(20 " ) 1PC 3/4 " Dr. Sliding Head	16PCS 3/4 " Dr. 12PT Socket (19, 21, 22, 23, 24, 26, 27, 28, 30, 32, 34, 36, 38, 41, 46, 50mm) 2PCS 3/4 " Dr. Extension Bar(4 " , 10 " ) 1PC 3/4 " Dr. Sliding T-Bar(20 " ) 1PC 3/4 " Dr. Ratchet Handle(20 " ) 1PC 3/4 " Dr. Sliding Head	17PCS 3/4 " Dr. 12PT Socket (21, 22, 23, 24, 26, 27, 28, 29, 30, 31, 32, 34, 36, 38, 41, 46, 50mm) 3PCS 1 " Dr. 12PT Socket(55, 60, 65mm) 2PCS 3/4 " Dr. Extension Bar(4 " , 20 " ) 1PC 3/4 " Dr. Sliding T-Bar(20 " ) 1PC 3/4 " Dr. Ratchet Handle 1PC 1 " Dr. Sliding Head 1PC 3/4 " Dr. L Handle																		
P66																					

万向节 Universal Joints 转换头 Impact Adaptor	<b>26件19MM系列套筒组套</b> 26PCS 3/4" Dr. Socket Wrench Set	<b>27件19MM系列套筒组套</b> 27PCS 3/4" Dr. Socket Wrench Set	<b>26件19MM系列套筒组套</b> 26PCS 3/4" Dr. Socket Wrench Set																		
P37-38																					
接杆弯杆 杆类附件 Extension Bar&Tools& Accessories																					
P39-40																					
棘轮 Ratchet Wrench																					
P41																					
套装 Impact Socket Set	<table border="1"> <thead> <tr> <th>编号/ITEM NO.</th> <th>尺寸/SIZE</th> <th>装箱数/PCS</th> </tr> </thead> <tbody> <tr> <td>1935626</td> <td>26PCS(12PT)</td> <td>1</td> </tr> </tbody> </table>	编号/ITEM NO.	尺寸/SIZE	装箱数/PCS	1935626	26PCS(12PT)	1	<table border="1"> <thead> <tr> <th>编号/ITEM NO.</th> <th>尺寸/SIZE</th> <th>装箱数/PCS</th> </tr> </thead> <tbody> <tr> <td>1963027</td> <td>27PCS(6PT)</td> <td>1</td> </tr> </tbody> </table>	编号/ITEM NO.	尺寸/SIZE	装箱数/PCS	1963027	27PCS(6PT)	1	<table border="1"> <thead> <tr> <th>编号/ITEM NO.</th> <th>尺寸/SIZE</th> <th>装箱数/PCS</th> </tr> </thead> <tbody> <tr> <td>1935626</td> <td>26PCS(12PT)</td> <td>1</td> </tr> </tbody> </table>	编号/ITEM NO.	尺寸/SIZE	装箱数/PCS	1935626	26PCS(12PT)	1
编号/ITEM NO.	尺寸/SIZE	装箱数/PCS																			
1935626	26PCS(12PT)	1																			
编号/ITEM NO.	尺寸/SIZE	装箱数/PCS																			
1963027	27PCS(6PT)	1																			
编号/ITEM NO.	尺寸/SIZE	装箱数/PCS																			
1935626	26PCS(12PT)	1																			
P42-65	配置/CONFIGURATION	配置/CONFIGURATION	配置/CONFIGURATION																		
大车 专用工具 Axle Head Socket	17PCS 3/4 " Dr. Socket (21, 22, 23, 24, 26, 27, 28, 29, 30, 31, 32, 34, 36, 38, 41, 46, 50mm) 3PCS 1 " Dr. 12PT Socket(55, 60, 65mm) 2PCS 3/4 " Dr. Extension Bar(8 " , 20 " ) 1PC 3/4 " Dr. Sliding T-Bar(20 " ) 1PC 3/4 " Dr. Ratchet Handle 1PC 1 " Dr. Sliding Head 1PC 3/4 " Dr. L Handle	27PCS 3/4 " Dr. Socket (17, 19, 20, 21, 22, 23, 24, 27, 30, 31, 32, 33, 34, 35, 36, 37, 38, 40, 41, 45, 46, 48, 50, 54, 55, 57, 60mm)	17PCS 3/4 " Dr. Socket (21, 22, 23, 24, 26, 27, 28, 29, 30, 31, 32, 34, 36, 38, 41, 46, 50mm) 3PCS 1 " Dr. 12PT Socket(55, 60, 65mm) 2PCS 3/4 " Dr. Extension Bar(8 " , 20 " ) 1PC 3/4 " Dr. Sliding T-Bar(20 " ) 1PC 3/4 " Dr. Ratchet Handle 1PC 1 " Dr. Sliding Head 1PC 3/4 " Dr. L Handle																		
P66																					

# IMPACT SOCKET SET

## 1"套筒组套

# IMPACT SOCKET SET

## 1"套筒组套

套筒 Impact Sockets	<b>5件25.4MM系列套筒组套</b> 5PCS 1" Dr. Socket Wrench Set	<b>6件25.4MM系列套筒组套</b> 6PCS 1" Dr. Socket Wrench Set	<b>8件25.4MM系列套筒组套</b> 8PCS 1" Dr. Socket Wrench Set																		
3/8 "																					
P1-2																					
1/2 "																					
P3-11																					
3/4 "																					
P12-20																					
1 "																					
P21-29																					
1-1/2 "																					
P30-31	<table border="1"> <thead> <tr> <th>编号/ITEM NO.</th> <th>尺寸/SIZE</th> <th>装箱数/PCS</th> </tr> </thead> <tbody> <tr> <td>2509005</td> <td>5PCS(6PT)</td> <td>5</td> </tr> </tbody> </table> <p>配置/CONFIGURATION 5PCS   1" Dr. 6PT Socket (30, 33, 36, 38, 41mm)</p>	编号/ITEM NO.	尺寸/SIZE	装箱数/PCS	2509005	5PCS(6PT)	5	<table border="1"> <thead> <tr> <th>编号/ITEM NO.</th> <th>尺寸/SIZE</th> <th>装箱数/PCS</th> </tr> </thead> <tbody> <tr> <td>2589006</td> <td>6PCS(6PT)</td> <td>1</td> </tr> </tbody> </table> <p>配置/CONFIGURATION 6PCS   1" Dr. 6PT Socket (70, 80, 85, 90, 95, 100mm)</p>	编号/ITEM NO.	尺寸/SIZE	装箱数/PCS	2589006	6PCS(6PT)	1	<table border="1"> <thead> <tr> <th>编号/ITEM NO.</th> <th>尺寸/SIZE</th> <th>装箱数/PCS</th> </tr> </thead> <tbody> <tr> <td>2508008</td> <td>8PCS(6PT)</td> <td>2</td> </tr> </tbody> </table> <p>配置/CONFIGURATION 8PCS   1" Dr. 6PT Socket (22, 24, 27, 30, 32, 36, 38, 41mm)</p>	编号/ITEM NO.	尺寸/SIZE	装箱数/PCS	2508008	8PCS(6PT)	2
编号/ITEM NO.	尺寸/SIZE	装箱数/PCS																			
2509005	5PCS(6PT)	5																			
编号/ITEM NO.	尺寸/SIZE	装箱数/PCS																			
2589006	6PCS(6PT)	1																			
编号/ITEM NO.	尺寸/SIZE	装箱数/PCS																			
2508008	8PCS(6PT)	2																			
2-1/2 "																					
P32																					
旋具套筒 Hex Impact Socket Bit																					

套筒 Impact Sockets	<b>11件25.4MM系列套筒组套</b> 11PCS 1" Dr. Socket Wrench Set	<b>12件25.4MM系列套筒组套</b> 12PCS 1" Dr. Socket Wrench Set	<b>15件25.4MM系列套筒组套</b> 15PCS 1" Dr. Socket Wrench Set	套筒 Impact Sockets																		
3/8 "				3/8 "																		
P1-2				P1-2																		
1/2 "				1/2 "																		
P3-11				P3-11																		
3/4 "				3/4 "																		
P12-20				P12-20																		
1 "				1 "																		
P21-29				P21-29																		
1-1/2 "				1-1/2 "																		
P30-31	<table border="1"> <thead> <tr> <th>编号/ITEM NO.</th> <th>尺寸/SIZE</th> <th>装箱数/PCS</th> </tr> </thead> <tbody> <tr> <td>2508011</td> <td>11PCS</td> <td>1</td> </tr> </tbody> </table> <p>配置/CONFIGURATION 11PCS   1" Dr. Socket (21, 22, 27, 30, 32, 33, 36, 38, 41, 46, 50mm)</p>	编号/ITEM NO.	尺寸/SIZE	装箱数/PCS	2508011	11PCS	1	<table border="1"> <thead> <tr> <th>编号/ITEM NO.</th> <th>尺寸/SIZE</th> <th>装箱数/PCS</th> </tr> </thead> <tbody> <tr> <td>2508012</td> <td>12PCS(6PT)</td> <td>2</td> </tr> </tbody> </table> <p>配置/CONFIGURATION 12PCS   1" Dr. 6PT Socket (24, 26, 27, 29, 30, 32, 33, 34, 35, 36, 38, 41mm)</p>	编号/ITEM NO.	尺寸/SIZE	装箱数/PCS	2508012	12PCS(6PT)	2	<table border="1"> <thead> <tr> <th>编号/ITEM NO.</th> <th>尺寸/SIZE</th> <th>装箱数/PCS</th> </tr> </thead> <tbody> <tr> <td>2588015</td> <td>15PCS(6PT)</td> <td>1</td> </tr> </tbody> </table> <p>配置/CONFIGURATION 10PCS   1" Dr. 6PT Socket (22, 24, 27, 30, 32, 33, 36, 38, 41, 46mm) 1PC   1" Dr. Ratchet Handle 2PCS   1" Dr. Extension Bar(8" , 16" ) 1PC   1" Dr. Sliding Head</p>	编号/ITEM NO.	尺寸/SIZE	装箱数/PCS	2588015	15PCS(6PT)	1	P30-31
编号/ITEM NO.	尺寸/SIZE	装箱数/PCS																				
2508011	11PCS	1																				
编号/ITEM NO.	尺寸/SIZE	装箱数/PCS																				
2508012	12PCS(6PT)	2																				
编号/ITEM NO.	尺寸/SIZE	装箱数/PCS																				
2588015	15PCS(6PT)	1																				
2-1/2 "				2-1/2 "																		
P32				P32																		
旋具套筒 Hex Impact Socket Bit				旋具套筒 Hex Impact Socket Bit																		

万向节 Universal Joints 转换头 Impact Adaptor	<b>9件25.4MM系列套筒组套</b> 9PCS 1" Dr. Socket Wrench Set	<b>10件25.4MM系列套筒组套</b> 10PCS 1" Dr. Socket Wrench Set	<b>11件19MM系列套筒组套</b> 11PCS 3/4" Dr. Socket Wrench Set																		
P37-38																					
接杆弯杆 杆类附件 Extension Bar&Tools& Accessories																					
P39-40																					
棘轮 Ratchet Wrench																					
P41																					
套装 Impact Socket Set																					
P42-65	<table border="1"> <thead> <tr> <th>编号/ITEM NO.</th> <th>尺寸/SIZE</th> <th>装箱数/PCS</th> </tr> </thead> <tbody> <tr> <td>2508009</td> <td>9PCS(6PT)</td> <td>3</td> </tr> </tbody> </table> <p>配置/CONFIGURATION 9PCS   1" Dr. 6PT Socket (24, 27, 30, 32, 36, 38, 41, 46, 55mm)</p>	编号/ITEM NO.	尺寸/SIZE	装箱数/PCS	2508009	9PCS(6PT)	3	<table border="1"> <thead> <tr> <th>编号/ITEM NO.</th> <th>尺寸/SIZE</th> <th>装箱数/PCS</th> </tr> </thead> <tbody> <tr> <td>2508010</td> <td>10PCS(6PT)</td> <td>2</td> </tr> </tbody> </table> <p>配置/CONFIGURATION 10PCS   1" Dr. 6PT Socket (22, 24, 27, 30, 32, 33, 34, 36, 38, 41mm)</p>	编号/ITEM NO.	尺寸/SIZE	装箱数/PCS	2508010	10PCS(6PT)	2	<table border="1"> <thead> <tr> <th>编号/ITEM NO.</th> <th>尺寸/SIZE</th> <th>装箱数/PCS</th> </tr> </thead> <tbody> <tr> <td>2568011</td> <td>11PCS</td> <td>2</td> </tr> </tbody> </table> <p>配置/CONFIGURATION 11PCS   1" 80L: 33, 35, 38, 41mm 1" 90L: 1-1/2" 1" 80Thin: 1-1/16", 1-1/8", 1-1/4" 1" 60L: 13/16" (4PT), 17(4PT), 21(4PT)</p>	编号/ITEM NO.	尺寸/SIZE	装箱数/PCS	2568011	11PCS	2
编号/ITEM NO.	尺寸/SIZE	装箱数/PCS																			
2508009	9PCS(6PT)	3																			
编号/ITEM NO.	尺寸/SIZE	装箱数/PCS																			
2508010	10PCS(6PT)	2																			
编号/ITEM NO.	尺寸/SIZE	装箱数/PCS																			
2568011	11PCS	2																			
大车 专用工具 Axle Head Socket																					
P66																					









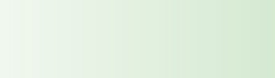

万向节 Universal Joints 转换头 Impact Adaptor		万向节 Universal Joints 转换头 Impact Adaptor
P37-38		P37-38
接杆弯杆 杆类附件 Extension Bar&Tools& Accessories		接杆弯杆 杆类附件 Extension Bar&Tools& Accessories
P39-40		P39-40
棘轮 Ratchet Wrench		棘轮 Ratchet Wrench
P41		P41
套装 Impact Socket Set		套装 Impact Socket Set
P42-65		P42-65
大车 专用工具 Axle Head Socket		大车 专用工具 Axle Head Socket
P66		P66
















# IMPACT SOCKET SET

3/8" 旋具组套

# IMPACT SOCKET SET

1/2" 旋具组套

套筒 Impact Sockets		编号/ITEM NO. 尺寸/SIZE 装箱数/PCS 0338007 7PCS(60L) 50 配置/CONFIGURATION H4 H5 H6 H7 H8 H10 H12		编号/ITEM NO. 尺寸/SIZE 装箱数/PCS 0438007 7PCS(60L) 50 配置/CONFIGURATION M5 M6 M7 M8 M10 M12 M14
3/8"				
P1-2				
1/2"				
P3-11				
3/4"				
P12-20				
1"				
P21-29				
1-1/2"				
P30-31				
2-1/2"				
P32				
旋具套筒 Hex Impact Socket Bit		编号/ITEM NO. 尺寸/SIZE 装箱数/PCS 0538007 7PCS(60L) 50 配置/CONFIGURATION T20 T25 T27 T30 T40 T45 T50		编号/ITEM NO. 尺寸/SIZE 装箱数/PCS 0638007 7PCS(60L) 50 配置/CONFIGURATION RT6 RT7 RT8 RT10 RT11 RT12 RT13
P33-36				
万向节 Universal Joints 转换头 Impact Adaptor		编号/ITEM NO. 尺寸/SIZE 装箱数/PCS 0738007 7PCS(50L) 50 配置/CONFIGURATION H4 H5 H6 H7 H8 H10 H12		编号/ITEM NO. 尺寸/SIZE 装箱数/PCS 0838007 7PCS(50L) 50 配置/CONFIGURATION T20 T25 T27 T30 T40 T45 T50
P37-38				
接杆弯杆 杆类附件 Extension Bar&Tools& Accessories		编号/ITEM NO. 尺寸/SIZE 装箱数/PCS 0938007 7PCS(50L) 50 配置/CONFIGURATION 5/32 3/16 7/32 1/4 5/16 3/8 1/2		编号/ITEM NO. 尺寸/SIZE 装箱数/PCS 0138007 7PCS(60L) 50 配置/CONFIGURATION 3/16 7/32 1/4 5/16 3/8 7/16 1/2
P39-40				
棘轮 Ratchet Wrench				
P41				
套装 Impact Socket Set				
P42-65				
大车 专用工具 Axle Head Socket				
P66				

套筒 Impact Sockets		编号/ITEM NO. 尺寸/SIZE 装箱数/PCS 0612007 7PCS 10 配置/CONFIGURATION H5 H6 H7 H8 H10 H12 H14		编号/ITEM NO. 尺寸/SIZE 装箱数/PCS 0612008 8PCS 10 配置/CONFIGURATION H5 H6 H7 H8 H10 H12 H14 H16		编号/ITEM NO. 尺寸/SIZE 装箱数/PCS 0612010 10PCS 10 配置/CONFIGURATION H5 H6 H7 H8 H10 H12 H14 H16 H17 H18
3/8"						
P1-2						
1/2"						
P3-11						
3/4"						
P12-20						
1"						
P21-29						
1-1/2"						
P30-31						
2-1/2"						
P32						
旋具套筒 Hex Impact Socket Bit		编号/ITEM NO. 尺寸/SIZE 装箱数/PCS 0712007 7PCS 10 配置/CONFIGURATION M5 M6 M8 M10 M12 M14 M16		编号/ITEM NO. 尺寸/SIZE 装箱数/PCS 0712008 8PCS 10 配置/CONFIGURATION M5 M6 M8 M10 M12 M14 M16 M18		编号/ITEM NO. 尺寸/SIZE 装箱数/PCS 0712010 10PCS 10 配置/CONFIGURATION M5 M6 M7 M8 M9 M10 M12 M14 M16 M18
P33-36						
万向节 Universal Joints 转换头 Impact Adaptor		编号/ITEM NO. 尺寸/SIZE 装箱数/PCS 0812007 7PCS 10 配置/CONFIGURATION T30 T40 T45 T50 T55 T60 T70		编号/ITEM NO. 尺寸/SIZE 装箱数/PCS 0812008 8PCS 10 配置/CONFIGURATION T30 T40 T45 T50 T55 T60 T70 T80		编号/ITEM NO. 尺寸/SIZE 装箱数/PCS 0812010 10PCS 10 配置/CONFIGURATION T30 T40 T45 T50 T55 T60 T70 T80 T90 T100
P37-38						
接杆弯杆 杆类附件 Extension Bar&Tools& Accessories		编号/ITEM NO. 尺寸/SIZE 装箱数/PCS 0912007 7PCS 10 配置/CONFIGURATION RT5 RT6 RT8 RT10 RT11 RT12 RT13		编号/ITEM NO. 尺寸/SIZE 装箱数/PCS 0912008 8PCS 10 配置/CONFIGURATION RT6 RT7 RT8 RT10 RT11 RT12 RT13 RT14		编号/ITEM NO. 尺寸/SIZE 装箱数/PCS 0912010 10PCS 10 配置/CONFIGURATION RT5 RT6 RT7 RT8 RT9 RT10 RT11 RT12 RT13 RT14
P39-40						
棘轮 Ratchet Wrench						
P41						
套装 Impact Socket Set						
P42-65						
大车 专用工具 Axle Head Socket						
P66						

# IMPACT SOCKET SET

## 1/2" 旋具组套

# IMPACT SOCKET SET

## 1/2" 旋具组套

套筒  
Impact  
Sockets

3/8"

P1-2

1/2"

P3-11

3/4"

P12-20

1"

P21-29

1-1/2"

P30-31

2-1/2"

P32

旋具套筒  
Hex Impact  
Socket Bit

### 1/2" 旋具H6件套

1/2" H6 PCS



编号/ITEM NO.	尺寸/SIZE	装箱数/PCS
0612006	6PCS	20

配置/CONFIGURATION  
6PCS | H6 H8 H10 H12 H14 H17 (45L)

### 1/2" 旋具T6件套

1/2" T6 PCS



编号/ITEM NO.	尺寸/SIZE	装箱数/PCS
0812006	6PCS	20

配置/CONFIGURATION  
6PCS | T55 T60 T70 T80 T90 T100 (45L)

### 1/2" 旋具M三长三短

1/2" M6 PCS



编号/ITEM NO.	尺寸/SIZE	装箱数/PCS
0712033	6PCS	20

配置/CONFIGURATION  
3PCS | M14 M16 M18 (45L)  
3PCS | M14 M16 M18 (78L)

套筒  
Impact  
Sockets

3/8"

P1-2

1/2"

P3-11

3/4"

P12-20

1"

P21-29

1-1/2"

P30-31


2-1/2"

P32

旋具套筒  
Hex Impact  
Socket Bit

### 1/2" 旋具H16件套

1/2" H16 PCS




编号/ITEM NO.	尺寸/SIZE	装箱数/PCS
0612016	16PCS	5

配置/CONFIGURATION  
16PCS | H5 H6 H7 H8 H9 H10 H11 H12 H13  
H14 H15 H17 H18 H19 H20 H21 (78L)

### 1/2" 旋具H八长八短

1/2" H16 PCS



编号/ITEM NO.	尺寸/SIZE	装箱数/PCS
0612088	16PCS	5

配置/CONFIGURATION  
8PCS | H5 H6 H8 H10 H12  
H14 H17 H19 (78L)  
8PCS | H5 H6 H8 H10 H12  
H14 H17 H19 (45L)

万向节  
Universal  
Joints  
转换头  
Impact  
Adaptor

P33-36

接杆弯杆  
杆类附件  
Extension  
Bar&Tools&  
Accessories

P37-38

棘轮  
Ratchet  
Wrench

P41

套装  
Impact  
Socket Set


P42-65

大车  
专用工具  
Axle Head  
Socket

P66

### 1/2" 旋具T四长四短

1/2" T8 PCS



编号/ITEM NO.	尺寸/SIZE	装箱数/PCS
0812044	8PCS	20

配置/CONFIGURATION  
4PCS | T55 T60 T70 T80 (45L)  
4PCS | T55 T60 T70 T80 (78L)

### 1/2" 旋具M四长四短

1/2" M8 PCS



编号/ITEM NO.	尺寸/SIZE	装箱数/PCS
0712044	8PCS	20

配置/CONFIGURATION  
4PCS | M12 M14 M16 M18 (45L)  
4PCS | M12 M14 M16 M18 (78L)

### 1/2" 旋具H四长四短

1/2" H8 PCS



编号/ITEM NO.	尺寸/SIZE	装箱数/PCS
0612044	8PCS	20

配置/CONFIGURATION  
4PCS | H8 H10 H12 H14 (45L)  
4PCS | H8 H10 H12 H14 (78L)

万向节  
Universal  
Joints  
转换头  
Impact  
Adaptor

P33-36

接杆弯杆  
杆类附件  
Extension  
Bar&Tools&  
Accessories

P37-38

棘轮  
Ratchet  
Wrench

P41

套装  
Impact  
Socket Set


P42-65

大车  
专用工具  
Axle Head  
Socket

P66

### 1/2" 旋具T16件套

1/2" T16 PCS




编号/ITEM NO.	尺寸/SIZE	装箱数/PCS
0812016	16PCS	5

配置/CONFIGURATION  
16PCS | T20 T25 T27 T30 T35 T40 T45 T50 T52  
T55 T60 T65 T70 T80 T90 T100 (78L)

### 1/2" 旋具M16件套

1/2" M16 PCS



编号/ITEM NO.	尺寸/SIZE	装箱数/PCS
0712016	16PCS	5

配置/CONFIGURATION  
16PCS | M4 M5 M6 M7 M8 M9 M10 M11 M12 M13  
M14 M15 M16 M17 M18 M19 (78L)

# IMPACT SOCKET SET

## 1/2" 旋具组套

# ATTACHMENT SET

## 附件组套

套筒  
Impact  
Sockets

3/8 "

P1-2

1/2 "

P3-11

3/4 "

P12-20

1 "

P21-29

1-1/2 "

P30-31

2-1/2 "

P32

旋具套筒  
Hex Impact  
Socket Bit

P33-36

万向节  
Universal  
Joints  
转换头  
Impact  
Adaptor

P37-38

接杆弯杆  
杆类附件  
Extension  
Bar&Tools&  
Accessories

P39-40

棘轮  
Ratchet  
Wrench

P41

套装  
Impact  
Socket Set

P42-65

大车  
专用工具  
Axle Head  
Socket

P66

### 1/2" 旋具H21件套

1/2" H21 PCS



编号/ITEM NO.	尺寸/SIZE	装箱数/PCS
0612021	21PCS	5

配置/CONFIGURATION


19PCS | H4 H5 H6 H7 H8 H9 H10 H11 H12 H13  
H14 H15 H16 H17 H18 H19 H20 H21  
H22 (78L)

1PCS | 1/2" Dr.Universal Joint

1PCS | 1/2" Dr.Extension Bar(3")

### 1/2" 旋具和套筒21件套

1/2" 21 PCS



编号/ITEM NO.	尺寸/SIZE	装箱数/PCS
0712121	21PCS	5

配置/CONFIGURATION


10PCS | H5 H6 H7 H8 H9 H10 H12 H14  
H17 H19 (78L)

10PCS | 10 12 13 14 15 17 19 21 22 24 (6PT)

1PCS | 1/2" Dr.Universal Joint

### 1/2" 旋具M21件套

1/2" M21 PCS



编号/ITEM NO.	尺寸/SIZE	装箱数/PCS
0712021	21PCS	5

配置/CONFIGURATION

16PCS | M4 M5 M6 M7 M8 M9 M10 M11 M12 M13  
M14 M15 M16 M17 M18 M19 (78L)


3PCS | M14 M16 M18 (HOLE)

1PCS | 1/2" Dr.Universal Joint

1PCS | 1/2" Dr.Extension Bar(3")

### 1/2" 旋具H和T21件套

1/2" H and T21 PCS



编号/ITEM NO.	尺寸/SIZE	装箱数/PCS
0812121	21PCS	5

配置/CONFIGURATION

10PCS | H5 H6 H7 H8 H9 H10 H12 H14  
H17 H19 (78L)

10PCS | T20 T30 T40 T45 T50 T60 T70  
T80 T90 T100 (78L)

1PCS | 1/2" Dr.Universal Joint

### 3/8" 18件油底壳放油螺丝工具

18PCS 3/8" Oil Pan Drain Screw Tool



编号/ITEM NO.	尺寸/SIZE	装箱数/PCS
3801018	18PCS	10

配置/CONFIGURATION

7PCS | 7、8、10、11、12、13、14 ◯

2PCS | 5/16"、3/8" ◯

6PCS | 8、9、10、12、14、17 ◯

1PC | 16 (40L) ◯

1PC | 10 (40L) ◯

1PC | 10 (40L) ◯

### 3/8" 21件油底壳放油螺丝工具

21PCS 3/8" Oil Pan Drain Screw Tool



编号/ITEM NO.	尺寸/SIZE	装箱数/PCS
3801021	21PCS	10

配置/CONFIGURATION

9PCS | 5/16"、3/8" 7、8、10、11  
12、13、14 ◯

7PCS | H8 H9 H10 H12 H13 H14 H17 ◯

1PC | T45 ◯

1PC | M16 (40L) ◯

1PC | 10 (40L) ◯

1PC | 10 (40L) ◯

1PC | 10 (40L) ◯

1PC | 3/8" Dr. Sliding Head 165mm

### 3/8" 23件油底壳放油螺丝工具

23PCS 3/8" Oil Pan Drain Screw Tool



编号/ITEM NO.	尺寸/SIZE	装箱数/PCS
3801023	23PCS	10

配置/CONFIGURATION

9PCS | 5/16"、3/8" 7、8、10、11  
12、13、14 ◯

7PCS | H8 H9 H10 H12 H13 H14 H17 ◯

1PC | T45 ◯

1PC | M16 (40L) ◯

1PC | 10 (40L) ◯

1PC | 10 (40L) ◯

1PC | 3/8" Dr. Sliding Head 165mm

2PCS | 3/8" Dr. Extension Bar (3"、6")

### 10件螺栓取出器

10PCS Bolt Extractor



编号/ITEM NO.	尺寸/SIZE	装箱数/PCS
1298010	10PCS	60

配置/CONFIGURATION

10PCS | 1#9mm、2#10mm、3#11mm  
4#12mm、5#13mm、6#14mm  
7#15mm、8#5/8" -16mm  
9#17mm、10#3/4" -19mm

### 11件螺栓取出器

11PCS Bolt Extractor



编号/ITEM NO.	尺寸/SIZE	装箱数/PCS
1298011	11PCS	60

配置/CONFIGURATION

10PCS | 1#9mm、2#10mm、3#11mm  
4#12mm、5#13mm、6#14mm  
7#15mm、8#5/8" -16mm  
9#17mm、10#3/4" -19mm

1PCS | 3/8" AD

### 13件螺栓取出器

13PCS Bolt Extractor



编号/ITEM NO.	尺寸/SIZE	装箱数/PCS
1298013	13PCS	60

配置/CONFIGURATION

13PCS | 1#1/4"、2#5/16" -8mm、3#3/8" -  
4#10mm、5#7/16" -11mm、6#12mm  
7#1/2"、8#13mm、9#9/16" -14mm  
10#5/8" -16mm、11#17mm  
12#11/16"、13#3/4" -19mm

套筒  
Impact  
Sockets

3/8 "

P1-2

1/2 "

P3-11

3/4 "

P12-20

1 "

P21-29

1-1/2 "

P30-31

2-1/2 "

P32

旋具套筒  
Hex Impact  
Socket Bit

P33-36

万向节  
Universal  
Joints  
转换头  
Impact  
Adaptor

P37-38

接杆弯杆  
杆类附件  
Extension  
Bar&Tools&  
Accessories

P39-40

棘轮  
Ratchet  
Wrench

P41

套装  
Impact  
Socket Set

P42-65

大车  
专用工具  
Axle Head  
Socket

P66

# IMPACT SOCKET SET

## 氧传感器组套

# ATTACHMENT SET

## 附件组套

- 套筒  
Impact  
Sockets
- 3/8 "
- P1-2
- 1/2 "
- P3-11
- 3/4 "
- P12-20
- 1 "
- P21-29
- 1-1/2 "
- P30-31
- 2-1/2 "
- P32
- 旋具套筒  
Hex Impact  
Socket Bit
- P33-36
- 万向节  
Universal  
Joints  
转换头  
Impact  
Adaptor
- P37-38
- 接杆弯杆  
杆类附件  
Extension  
Bar&Tools&  
Accessories
- P39-40
- 棘轮  
Ratchet  
Wrench
- P41
- 套装  
Impact  
Socket Set
- P42-65
- 大车  
专用工具  
Axle Head  
Socket
- P66

### 氧传感器三件套

3PCS Oxygen Sensor Socket Set



编号/ITEM NO.	尺寸/SIZE	装箱数/PCS
751203	3PCS	50

配置/CONFIGURATION

1PC	1/2 " Dr. x 7/8 " x50mm(L)
1PC	3/8 " Dr. x 7/8 " x30mm(L)
1PC	3/8 " Dr. x 7/8 " x80mm(L)

### 氧传感器四件套

4PCS Oxygen Sensor Socket Set



编号/ITEM NO.	尺寸/SIZE	装箱数/PCS
751204	4PCS	50

配置/CONFIGURATION

4PCS | 25 27 29 30



- 套筒  
Impact  
Sockets
- 3/8 "
- P1-2
- 1/2 "
- P3-11
- 3/4 "
- P12-20
- 1 "
- P21-29
- 1-1/2 "
- P30-31
- 2-1/2 "
- P32
- 旋具套筒  
Hex Impact  
Socket Bit
- P33-36
- 万向节  
Universal  
Joints  
转换头  
Impact  
Adaptor
- P37-38
- 接杆弯杆  
杆类附件  
Extension  
Bar&Tools&  
Accessories
- P39-40
- 棘轮  
Ratchet  
Wrench
- P41
- 套装  
Impact  
Socket Set
- P42-65
- 大车  
专用工具  
Axle Head  
Socket
- P66

### 氧传感器五件套

5PCS Oxygen Sensor Socket Set




编号/ITEM NO.	尺寸/SIZE	装箱数/PCS
751205	5PCS	50

配置/CONFIGURATION

1PC	1/2 " Dr. x 7/8 " x50mm(L)
1PC	3/8 " Dr. x 7/8 " x30mm(L)
1PC	3/8 " Dr. x 7/8 " x80mm(L)
2PCS	Thread Chasers M12 x 1.25mm M18 x 1.5mm

### 氧传感器七件套

7PCS Oxygen Sensor Socket Set




编号/ITEM NO.	尺寸/SIZE	装箱数/PCS
751207	7PCS	50

配置/CONFIGURATION

1PC	1/2 " in Dr. x27mm injector socket
1PC	3/8 " in Dr. x 7/8 in.vacuum switch socket
2PCS	Oxygen Sensor Sockets(1/2 " in Dr.x 29 mm and 3/8 in. Dr x 7/8 in)
1PC	3/8 " in Dr. x 7/8 in.Offset Oxygen Sensor Wrench
1PC	3/8 " in Dr. x 1-1/16 in.Oil Sensor Unit Socket
1PC	1/2 " in Dr. x22mm Heated Oxygen Sensor Socket

### 13件汽车发电机皮带轮拆装套组

13PCS Car Generator Belt Wheel Disassembly Set




编号/ITEM NO.	尺寸/SIZE	装箱数/PCS
1278013	13PCS	10

配置/CONFIGURATION

2PCS	1/2 " Dr Mio/T50 Bit Socket x 110L
6PCS	H10 x 75L x H8-10 M8-10 T40-50
1PC	H17 x 19.4 Round x 33T x 30L
1PC	H22 x 19.4 Round x 33T x 30L
1PC	Adapter 1/2 " Dr x H10 x 38L
1PC	H21 x 30L
1PC	H17 x 35Round x 30L

### 18件汽车发电机皮带轮拆装套组

18PCS Car Generator Belt Wheel Disassembly Set



编号/ITEM NO.	尺寸/SIZE	装箱数/PCS
1278018	18PCS	10

配置/CONFIGURATION

2PCS	1/2 " Dr Mio/T50 Bit Socket x 115L
1PC	1/2 " Dr Mio Bit Socket x 140L
1PC	3/8 " Dr Mio Bit Socket x 90L
6PCS	H10 x 75L x H8-10 M8-10 T40-50 Bit
1PC	H22-19.4 Round x 33T x 30L
1PC	H17 x 35 Round x 4T x 30L
1PC	H19 x H28 x 30L
1PC	H12 x 13.4 x 33T x 30L
1PC	H21 x 30L
1PC	H22 x H28 x 30L
1PC	H12 M10 Bit x 64L
1PC	Adapter 1/2 " Dr x H10 x 38L

# IMPACT SOCKET SET

## 附件组套

# AXLE HEAD SOCKET

## 轴头套筒

套筒  
Impact  
Sockets

3/8 "

P1-2

1/2 "

P3-11

3/4 "

P12-20

1 "

P21-29

1-1/2 "

P30-31

2-1/2 "

P32

旋具套筒  
Hex Impact  
Socket Bit

### 6件转换接头组套

6PCS Adaptor Set



编号/ITEM NO.	尺寸/SIZE	装箱数/PCS
1253406	6PCS	30

#### 配置/CONFIGURATION

6PCS | 3/4" x 1/2", 1/2" x 3/4"  
1/2" x 3/8", 3/8" x 1/2"  
3/8" x 1/4", 1/4" x 3/8"

P33-36

万向节  
Universal  
Joints  
转换头  
Impact  
Adaptor

P37-38

接杆弯杆  
杆类附件  
Extension  
Bar&Tools&  
Accessories

P39-40

棘轮  
Ratchet  
Wrench

P41

套装  
Impact  
Socket Set

P42-65

大车  
专用工具  
Axle Head  
Socket

P66

### 5件反牙套筒组套

5PCS Anti-Tooth Socket Set



编号/ITEM NO.	尺寸/SIZE	装箱数/PCS
1253405	5PCS	50

#### 配置/CONFIGURATION

5PCS | 1/2" Dr. Socket(17、19、21、22mm)  
Extension Bar

8件转换接头组套  
8PCS Adaptor Set



编号/ITEM NO.	尺寸/SIZE	装箱数/PCS
1253408	8PCS	30

#### 配置/CONFIGURATION

8PCS | 1" x 3/4", 3/4" x 1"  
3/4" x 1/2", 1/2" x 3/4"  
1/2" x 3/8", 3/8" x 1/2"  
3/8" x 1/4", 1/4" x 3/8"

11件转换接头组套  
11PCS Adaptor Set



编号/ITEM NO.	尺寸/SIZE	装箱数/PCS
1253411	11PCS	20

#### 配置/CONFIGURATION

11PCS | 1" x 3/4", 3/4" x 1"  
3/4" x 1/2", 1/2" x 3/4"  
1/2" x 3/8", 3/8" x 1/2"  
3/8" x 1/4", 1/4" x 3/8"  
1/4" Dr. Universal Joint  
3/8" Dr. Universal Joint  
1/2" Dr. Universal Joint

3件19mm接杆组套  
3PCS 3/4" Extension Bar Set



编号/ITEM NO.	尺寸/SIZE	装箱数/PCS
1253403	3PCS	10

#### 配置/CONFIGURATION

3PCS | 3/4" Extension Bar(4"、6"、10")

3件25.4mm接杆组套  
3PCS 1" Extension Bar Set



编号/ITEM NO.	尺寸/SIZE	装箱数/PCS
1342503	3PCS	10

#### 配置/CONFIGURATION

3PCS | 1" Extension Bar(4"、6"、10")

气动轴头套筒  
Pneumatic Axle Head Socket

75八角 80八角 90八角 95八角 100八角 102八角 103八角 105八角 110八角

富华桥122.124八角 青特桥 十三吨曼桥带管.无管 十一吨曼桥带管.无管 BPW 德龙六齿

手动轴头套筒  
Manual Axle Head Socket

适用车型/CAR MODEL	前轮尺寸/SIZE	后轮尺寸/SIZE
153康明斯	65#(六角)	110#(八角)
东风 140.141	41#(六角)	102#(八角)
斯太尔.红岩	68#(六角)	95#(八角)
五吨王.解放	56#(六角)	120#(八角)
1060.1061	86#(六角)	122#(八角)
解放(151.143)	56#(六角)	105#(六角)
烟台1041.1040	75#(六角)	92#(八角)
福田(130.212)	57#(六角)	75#(八角)
柳特王	75#(六角)	122#(六角)
四达	75#(六角)	122#(八角)
欧曼	75#(八角)	125#(八角)
红塔	57#(六角)	75#(八角)
九平柴	75#(六角)	122#(六角)
富华桥	75#(八角)	122#(八角)
六平柴	56#(六角)	105#(六角)
145	56#(六角)	102#(八角)
时代金刚	41#(六角)	92#(八角)
147	75#(六角)	122#(六角)
五征 凯马	75#(八角)	
十三吨桥	115#(六角)	
约克	98#(八角)	
小东风	92#(八角)	
跃进131	83#(八角)	
BPW桥		

套筒  
Impact  
Sockets

3/8 "

P1-2

1/2 "

P3-11

3/4 "

P12-20

1 "

P21-29

1-1/2 "

P30-31

2-1/2 "

P32

旋具套筒  
Hex Impact  
Socket Bit

P33-36

万向节  
Universal  
Joints  
转换头  
Impact  
Adaptor

P37-38

接杆弯杆  
杆类附件  
Extension  
Bar&Tools&  
Accessories

P39-40

棘轮  
Ratchet  
Wrench

P41

套装  
Impact  
Socket Set

P42-65

大车  
专用工具  
Axle Head  
Socket

P66