

# FLOOR JACK ( TUV GS SERISES )

## 卧式千斤顶 (证书款)



Strong color box and fixed inside



Environmental plastic box



Environmental plastic box



Environmental plastic handle

MODEL	QK20-QJD61A
CAPACITY	2TON
MIN.HEIGHT	125MM
MAX.HEIGHT	330MM
NET WEIGHT	8.5KG
GROSS WEIGHT	9.5KG
PACKING SIZE	48X23X15CM
BOM CODE	QJD61B-1-ONE QJD61B-1-TWO QJD61B-2-ONE QJD61B-2-TWO

Certificate by: TUV SUD



Double pumps



Strong wheels



Environmental rubber



Strengthen the board edge

Certificate by: TUV SUD



MODEL	QK25-QJD64A-6
CAPACITY	2.5TON
MIN.HEIGHT	75MM
MAX.HEIGHT	500MM
NET WEIGHT	33.5KG
GROSS WEIGHT	35KG
PACKING SIZE	77.5X38X19CM

# FLOOR JACK ( TUV GS SERISES )

## 卧式千斤顶 (证书款)



**LOW PROFILE**

**85 MM**  
Min.Height

**SLOWLY DOWN**



High Straight Piston



Thickened Lifting Arm



High Purity hydraulic Oil  
(-35—40°C good working)



Protection:safety valve

MODEL	QK225-QJD61-5A
CAPACITY	2.25TON
MIN.HEIGHT	85MM
MAX.HEIGHT	380MM
NET WEIGHT	13.7KG
GROSS WEIGHT	14.7KG
PACKING SIZE	59.5X24X16.5 CM

Certificate by: TUV SUD



# ALUMINUM/STEEL FLOOR JACK

## 铝铁卧式千斤顶



MODEL	QJD83A-2 (CERTIFICATE NO.:WD-B-02500-800-0)
CAPACITY (TON)	2.5
MIN.H (MM)	85
MAX.H (MM)	465
N.W/PCS (KGS)	27
G.W/CTN (KGS)	28.5
QTY/CTN (PCS)	1
PACKAGE SIZE (CM)	77.5*36*17.5(COLOR BOX)
QTY/20'CY(PCS)	585



**QJD83A-2**

MODEL	QJD85A-2 (CERTIFICATE NO.:WD-B-03000-800-0)
CAPACITY (TON)	3
MIN.H (MM)	85
MAX.H (MM)	500
N.W/PCS (KGS)	29.3
G.W/CTN (KGS)	30.8
QTY/CTN (PCS)	1
PACKAGE SIZE (CM)	80.5*36*17.5(COLOR BOX)
QTY/20'CY(PCS)	560

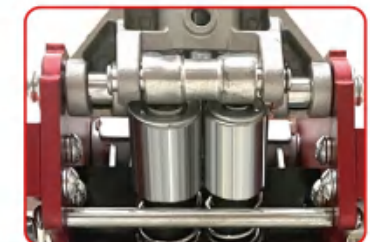


**QJD85A-2**



**QJD82A-2**

MODEL	QJD82A-2 (CERTIFICATE NO.:WD-B-01500-800-0)
CAPACITY (TON)	1.5
MIN.H (MM)	80
MAX.H (MM)	370
N.W/PCS (KGS)	15.6
G.W/CTN (KGS)	16.6
QTY/CTN (PCS)	1
PACKAGE SIZE (CM)	63.5*31*16.5(COLOR BOX)
QTY/20'CY(PCS)	882



# FLOOR JACK

## 卧式千斤顶

# FLOOR JACK

## 卧式千斤顶

### POPULAR TYPE

CHOOSE PARTS



2 TON

QJD60A-1

2 TON

QJD61A-1

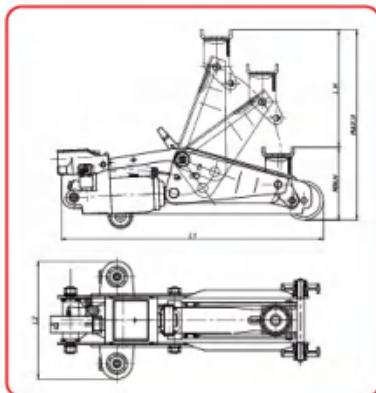
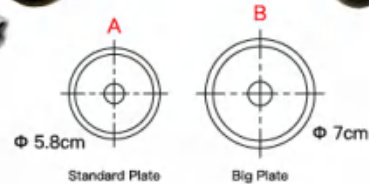


2 TON

QJD60A-2

2 TON

QJD61A-2



MODEL	QJD60A-1/QJD60A-2	QJD61A-1/QJD61A-2
CAPACITY (TON)	2	2
MIN.H (MM)	125	125
MAX.H (MM)	300	330
N.W/PCS (KGS)	6.5	8.5
G.W/CTN (KGS)	7.1/6.8	9.6/9.1
QTY/CTN (PCS)	1	1
PACKAGE SIZE (CM)	45*21*14(BLOW CASE) 45*21*14(COLOR BOX)	48*23*15(BLOW CASE) 48*23*15(COLOR BOX)
PALLET TYPE	A or B	A or B
QTY/20'CY(PCS)	2300/2300	1880/1860

NEW



2 TON

QJD61A NEW -2

MODEL	QJD61ANEW-2
CAPACITY (TON)	2
MIN.H (MM)	125
MAX.H (MM)	330
N.W/PCS (KGS)	8
G.W/CTN (KGS)	8.6
QTY/CTN (PCS)	1
PACKAGE SIZE (CM)	46*22*13(COLOR BOX)
QTY/20'CY(PCS)	2250

MODEL	QJD61ANEW-1
CAPACITY (TON)	2
MIN.H (MM)	125
MAX.H (MM)	330
N.W/PCS (KGS)	8
G.W/CTN (KGS)	9.0
QTY/CTN (PCS)	1
PACKAGE SIZE (CM)	48*23*15(BLOW CASE)
QTY/20'CY(PCS)	1880



2 TON

QJD61A NEW -1



PA WHEEL



# FLOOR JACK 卧式千斤顶



2.5  
TON

**QJD61-5A-1**  
**QJD61-5A-2**  
(BASIC TYPE)



A  
360°



B LED LAMP

2.5  
TON

**BASIC TYPE+A+B**



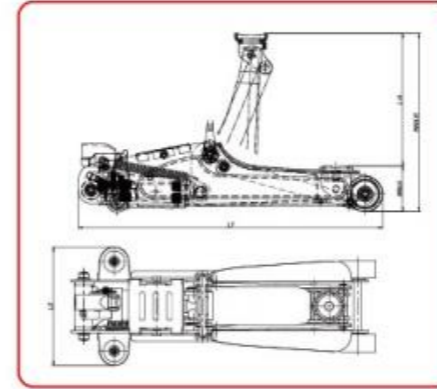
2.5  
TON

**BASIC TYPE+A**

MODEL	CAPACITY (TON)	MIN.H. (MM)	MAX.H (MM)	N.W (KG)	G.W (KG)	PACKAGE	MEASUREMENT (CM)	QTY/20'CY
QJD61-5A-1	2.5T BASIC TYPE	85	380	12.5	13.5	Case	59.5*24*16.5	1260
QJD61-5A-2	2.5T BASIC TYPE	85	380	12.5	13.5	Color Box	59.5*24*15	1400

Make Update Type To Choose Parts With Extra Cost

A	360 drgreen rotate handle	B	Led lamp	C	sleeve+L-handle
---	---------------------------	---	----------	---	-----------------



*Super Deluxe*



2.5  
TON

**BASIC TYPE+A+B**



A 360 Rotate handle



B Led Lamp



C Sleeve+L-handle

# FLOOR JACK 卧式千斤顶

Hot Sale



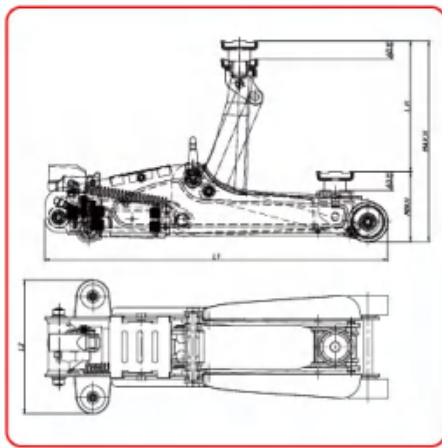
2.5  
TON

**QJD61-8A-1+A**  
**QJD61-8A-2+A**





2.5  
TON

**QJD61-8A-1+B**  
**QJD61-8A-2+B**



2.5  
TON

**QJD61-8A-1+C**  
**QJD61-8A-2+C**

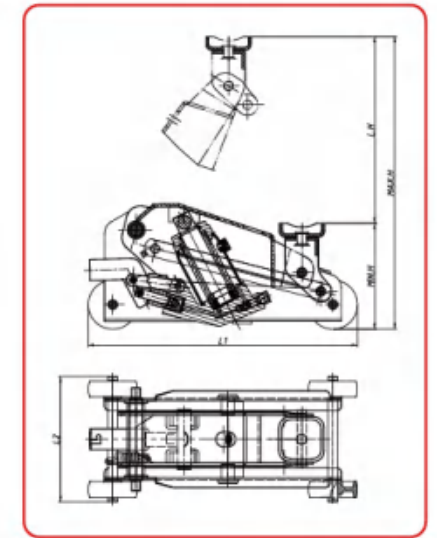
MODEL	CAPACITY (TON)	MIN.H. (MM)	LIFTING.H (MM)	MAX.H (MM)	N.W (KG)	G.W (KG)	PACKAGE	QTY/CTN (PCS)	MEASUREMENT (CM)	QTY/20'CY
QJD61-8A-1	2.5	110	250	360	10.5	11.2	Case	1	57.6*24.5*16.3	1320
QJD61-8A-2	2.5	110	250	360	10.5	10.8	Color Box	1	56.5*23*14	1690
EXTR PARTS	 A: FLAT RUBBER		 B: HIGH RUBBER		 C: SLEEVE+ L HANDLE					



2.25  
TON

**QJD61-3A-2**

MODEL	QJD61-3A-2
CAPACITY (TON)	2.25
MIN.H (MM)	145
MAX.H (MM)	380
N.W/PCS (KGS)	9.5
G.W/CTN (KGS)	10.1
QTY/CTN (PCS)	1
PACKAGE SIZE (CM)	38*18.8*18(COLOR BOX)
QTY/20'CY(PCS)	2340/1580



2.25  
TON

**QJD61-3A-1**

MODEL	QJD61-3A-1
CAPACITY (TON)	2.25
MIN.H (MM)	145
MAX.H (MM)	380
N.W/PCS (KGS)	9.5
G.W/CTN (KGS)	10.5
QTY/CTN (PCS)	1
PACKAGE SIZE (CM)	40*25*19(BLOW CASE)
QTY/20'CY(PCS)	2340



CAN LIFTE  
IT HIGHER

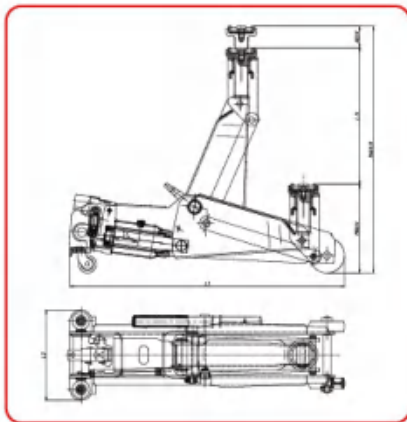
# FLOOR JACK 卧式千斤顶



2.5 TON  
**QJD80A-1**



2.5 TON  
**QJD80A-2**

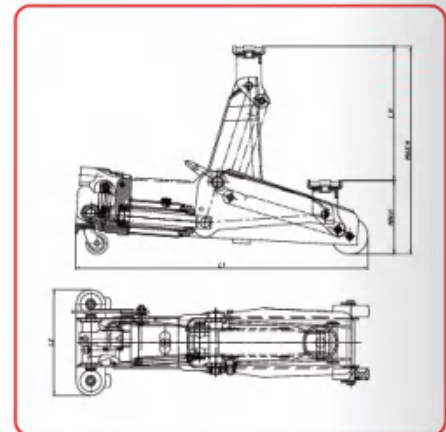


2.5 TON  
**QJD81A-1**



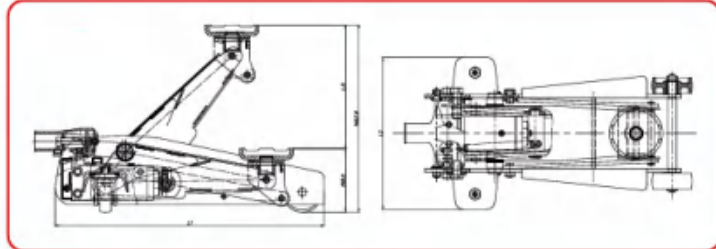
2.5 TON  
**QJD81A-2**

MODEL	QJD81A-1/QJD81A-2
CAPACITY (TON)	2.5
MIN.H (MM)	192
MAX.H (MM)	532
N.W/PCS (KGS)	15.5
G.W/CTN (KGS)	18.2/16.5
QTY/CTN (PCS)	1
PACKAGE SIZE (CM)	62*22*21(BLOW CASE) 62.5*21.5*21(COLOR BOX)
QTY/20'CY(PCS)	1020/1020



MODEL	QJD80A-1/QJD80A-2
CAPACITY (TON)	2.5
MIN.H (MM)	150
MAX.H (MM)	425
N.W/PCS (KGS)	14.8
G.W/CTN (KGS)	17.5/15.5
QTY/CTN (PCS)	1
PACKAGE SIZE (CM)	62*22*21(BLOW CASE) 62.5*21.5*18.5(COLOR BOX)
QTY/20'CY(PCS)	1020/1020

## HEAVY DUTY



3 TON

**QJD62A**



MODEL	QJD63A
CAPACITY (TON)	3
MIN.H (MM)	135
MAX.H (MM)	495
N.W/PCS (KGS)	28
G.W/CTN (KGS)	28.7
QTY/CTN (PCS)	1
PACKAGE SIZE (CM)	68*38.5*19(COLOR BOX)
QTY/20'CY(PCS)	600

3 TON

**QJD63A**



MODEL	QJD62A
CAPACITY (TON)	3
MIN.H (MM)	135
MAX.H (MM)	460
N.W/PCS (KGS)	22
G.W/CTN (KGS)	23
QTY/CTN (PCS)	1
PACKAGE SIZE (CM)	60*35*19(COLOR BOX)
QTY/20'CY(PCS)	750

3 TON

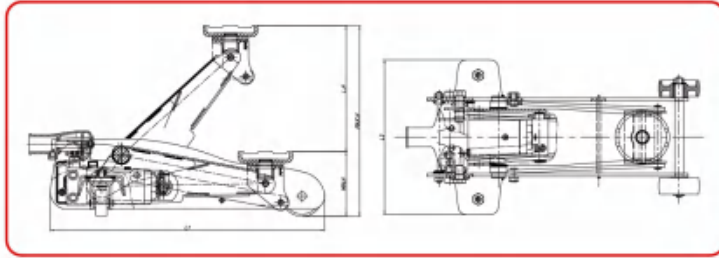
**QJD63A踏**



MODEL	QJD63A踏
CAPACITY (TON)	3
MIN.H (MM)	135
MAX.H (MM)	495
N.W/PCS (KGS)	28
G.W/CTN (KGS)	29
QTY/CTN (PCS)	1
PACKAGE SIZE (CM)	68*38.5*19(COLOR BOX)
QTY/20'CY(PCS)	600

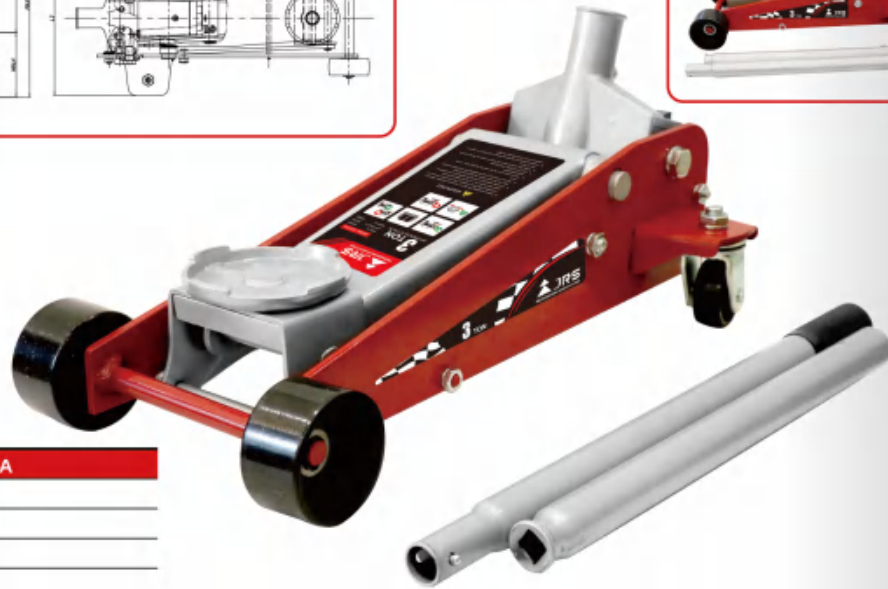
# FLOOR JACK 卧式千斤顶

## HEAVY DUTY



### 3 TON QJD64A

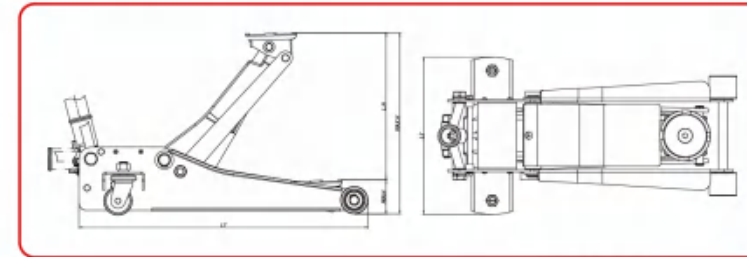
MODEL	QJD64A
CAPACITY (TON)	3
MIN.H (MM)	135
MAX.H (MM)	495
N.W/PCS (KGS)	32
G.W/CTN (KGS)	33
QTY/CTN (PCS)	1
PACKAGE SIZE (CM)	68*38.5*19(COLOR BOX)
QTY/20'CY(PCS)	600



### 3 TON QJD64A踏

MODEL	QJD64A踏
CAPACITY (TON)	3
MIN.H (MM)	135
MAX.H (MM)	495
N.W/PCS (KGS)	33
G.W/CTN (KGS)	34
QTY/CTN (PCS)	1
PACKAGE SIZE (CM)	68*38.5*19(COLOR BOX)
QTY/20'CY(PCS)	600

## DOUBLE PUMP



### 3 TON QJD64A-6

MODEL	QJD64A-6
CAPACITY (TON)	3
MIN.H (MM)	75
MAX.H (MM)	500
N.W/PCS (KGS)	32
G.W/CTN (KGS)	33.5
QTY/CTN (PCS)	1
PACKAGE SIZE (CM)	77.5*38*19(COLOR BOX)
QTY/20'CY(PCS)	538



## ECONOMIC TYPE

### 2.5 TON 3 TON QJD64A-7

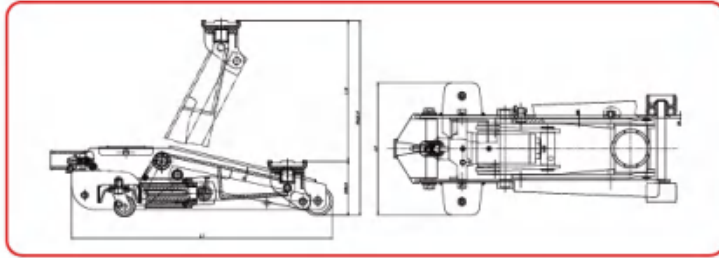


MODEL	QJD64A-7
CAPACITY (TON)	2.5/3
MIN.H (MM)	75
MAX.H (MM)	460
N.W/PCS (KGS)	29
G.W/CTN (KGS)	30.6
QTY/CTN (PCS)	1
PACKAGE SIZE (CM)	73.5*38*19(COLOR BOX)
QTY/20'CY(PCS)	558

# FLOOR JACK

## 卧式千斤顶

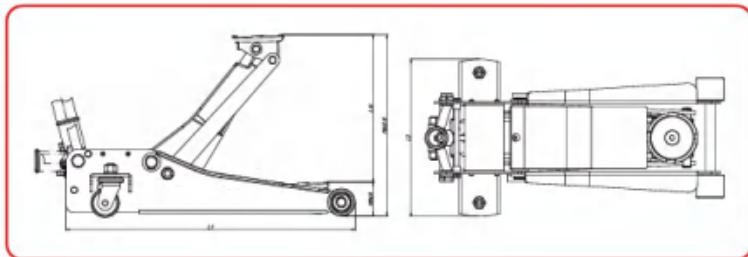
### DOUBLE PUMP



MODEL	QJD64A-2
CAPACITY (TON)	3
MIN.H (MM)	135
MAX.H (MM)	460
N.W/PCS (KGS)	30
G.W/CTN (KGS)	32
QTY/CTN (PCS)	1
PACKAGE SIZE (CM)	68*38.5*19(COLOR BOX)
QTY/20'CY(PCS)	600



3 TON QJD64A-2



3.5 TON 5 TON

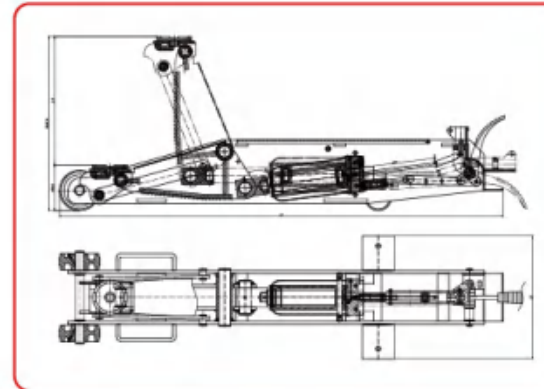
QJD73A



MODEL	QJD73A
CAPACITY (TON)	3.5/5
MIN.H (MM)	105
MAX.H (MM)	545
N.W/PCS (KGS)	46
G.W/CTN (KGS)	48
QTY/CTN (PCS)	1
PACKAGE SIZE (CM)	87*45.5*20(COLOR BOX)
QTY/20'CY(PCS)	350

# LONG FLOOR JACK

## 重型长卧式千斤顶

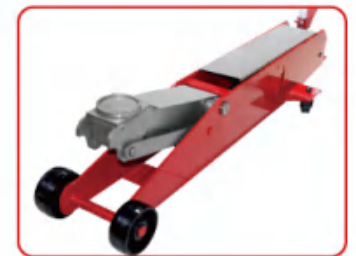


2 TON 3 TON  
J1102 J1103



5 TON 10 TON  
J1105 J1110

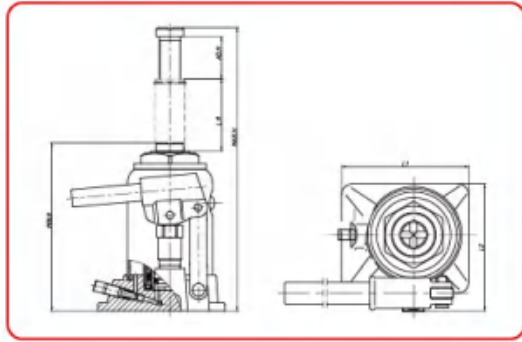
15 TON 20 TON  
J1115 J1120



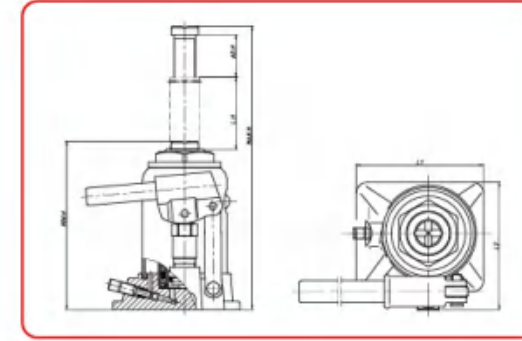
MODEL	CAPACITY (TON)	MIN.H (MM)	MAX.H (MM)	N.W/PCS (KGS)	G.W/CTN (KGS)	QTY/CTN (PCS)	PACKAGE	PACKAGE SIZE (CM)
J1102	2	88	520	43	53	1	WOODEN PACKAGE	115.5*41*28
J1103	3	145	600	53	65	1	WOODEN PACKAGE	115.5*41*28
J1105	5	150	600	82	95	1	WOODEN PACKAGE	154*41.5*28
J1110	10	160	600	108	125	1	WOODEN PACKAGE	165*52*33
J1115	15	195	640	160	180	1	WOODEN PACKAGE	167*53*35.5
J1120	20	195	640	180	200	1	WOODEN PACKAGE	167*53*35.5

# BOTTLE JACK 立式千斤顶

## 01 SERIES



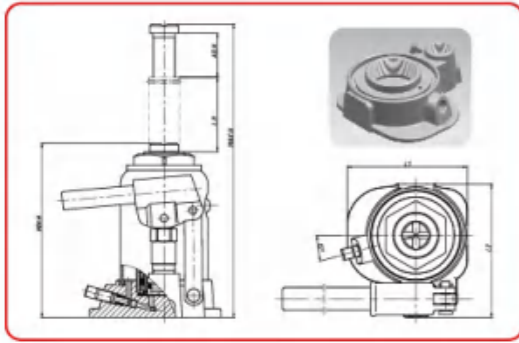
MODEL	CAPACITY (TON)	MIN.H (MM)	LIFTING.H (MM)	ADJUST.H (MM)	MAX.H (MM)	N.W/PCS (KGS)	G.W/CTN (KGS)	QTY/CTN (PCS)	PACKAGE SIZE
QJD02	2	158	90	50	298	2	22	10	52*22.5*17
QJD05	3	180	110	50	340	2.9	15.6	5	56*12.5*19
QJD07	4	195	125	60	380	3.1	16.5	5	56*12.5*20.5
QJD08	5	185	110	60	355	3.6	19	5	60*13.5*19.5
QJD09	6	200	125	60	385	3.8	20	5	60*13.5*20.5
QJD13	8	200	125	60	385	4.6	24	5	62*14.5*21
QJD16	10	200	125	60	385	5	26	5	65*15*21
QJD18	12	210	125	60	395	6	25	4	56*15*22
QJD24	16	220	135	60	415	6.9	14.5	2	32*16*23
QJD30	20	235	145	60	440	9.1	18.8	2	34*18.5*24.5



MODEL	CAPACITY (TON)	MIN.H (MM)	LIFTING.H (MM)	ADJUST.H (MM)	MAX.H (MM)	N.W/PCS (KGS)	G.W/CTN (KGS)	QTY/CTN (PCS)	PACKAGE SIZE
QJD43B	32	255	150	/	405	12.5	25.6	2	37*19*26.5
QJD43	32	255	150	60	465	13.5	27.6	2	37*19*26.5
QJD44	32	285	180	/	465	13.5	13.8	1	19*19*29.5
QJD44B方	32	285	180	/	465	16	16.3	1	19*19*29.5
QJD48B	50	255	150	/	405	18	18.3	1	20.5*18*26.5
QJD48	50	255	150	60	465	19	19.3	1	20.5*18*26.5
QJD54B	50	180	180	/	440	26.5	26.8	1	20.5*18*27
QJD55	50	180	180	/	480	29.5	29.8	1	23.8*21.5*31
QJD58	100	180	180	/	515	68	70	1	32.5*26.5*36
QJD59	200	180	180	/	520	145	148	1	32.5*26.5*36

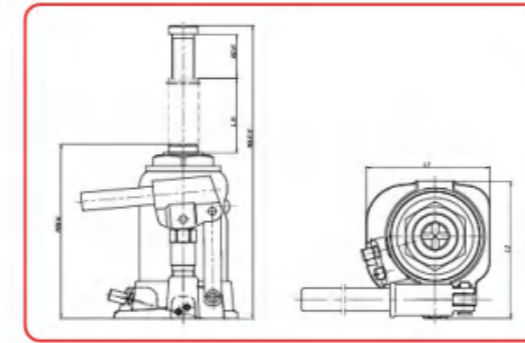
# BOTTLE JACK 立式千斤顶

## O2 SERIES



MODEL	CAPACITY (TON)	MIN.H (MM)	LIFTING.H (MM)	ADJUST.H (MM)	MAX.H (MM)	N.W/PCS (KGS)	G.W/CTN (KGS)	QTY/CTN (PCS)	PACKAGE SIZE
QJD01	2	148	80	50	278	1.9	21	10	52*22.5*15.8
QJD02B	3	158	90	50	298	2.3	25	10	52*22.5*17
QJD05B	5	180	110	50	340	2.9	15.5	5	58*13*19
QJD09B	8	195	125	60	380	3.8	20	5	62*14*20.5
QJD12B	10	195	125	60	380	4.5	23.5	5	62*14.5*20.5
QJD16	12	200	125	60	385	4.9	20.6	4	54*14.5*21
QJD18B	16	210	135	60	405	6	25	4	58*15.5*22
QJD25	20	235	145	60	440	7.3	15	2	33*18*24.5
QJD36B	32	255	150	/	405	10.1	20.5	2	34*18.5*26.5
QJD36	32	255	150	60	465	10.7	21.8	2	34*18.5*26.5
QJD48B	50	255	150	/	405	18	18.3	1	20.5*18*26.5
QJD48	50	255	150	60	465	19	19.3	1	20.5*18*26.5
QJD50	50	285	180	/	465	19	19.3	1	20.5*18*29.5

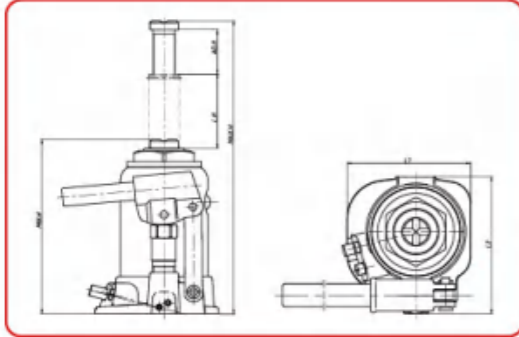
## O3 SERIES



MODEL	CAPACITY (TON)	MIN.H (MM)	LIFTING.H (MM)	ADJUST.H (MM)	MAX.H (MM)	N.W/PCS (KGS)	G.W/CTN (KGS)	QTY/CTN (PCS)	PACKAGE SIZE
QJD02S	2	158	90	50	298	2.2	23.5	10	52*22.5*17
QJD05S	4	180	110	50	340	2.9	15.6	5	56*12.5*19
QJD09S	6	200	125	60	385	3.8	20	5	60*13.5*20.5
QJD13S	8	200	125	60	385	4.6	24	5	62*14.5*21
QJD16S	10	200	125	60	385	5.1	26.3	5	62*15*21
QJD18S	12	210	125	60	395	6.7	25	4	56*15*22
QJD24S	16	220	135	60	415	6.9	14.5	2	32*16*23
QJD30S	20	235	145	60	440	9.3	19	2	34*18.5*24.5
QJD43BS	32	255	150	/	405	12.5	25.6	2	37*19*26.5
QJD43S	32	255	150	60	465	13.5	27.6	2	37*19*26.5
QJD54BS	50	260	180	/	440	26.5	26.8	1	20.5*18*27
QJD55S	50	300	180	/	480	29.5	29.8	1	23.8*21.5*31

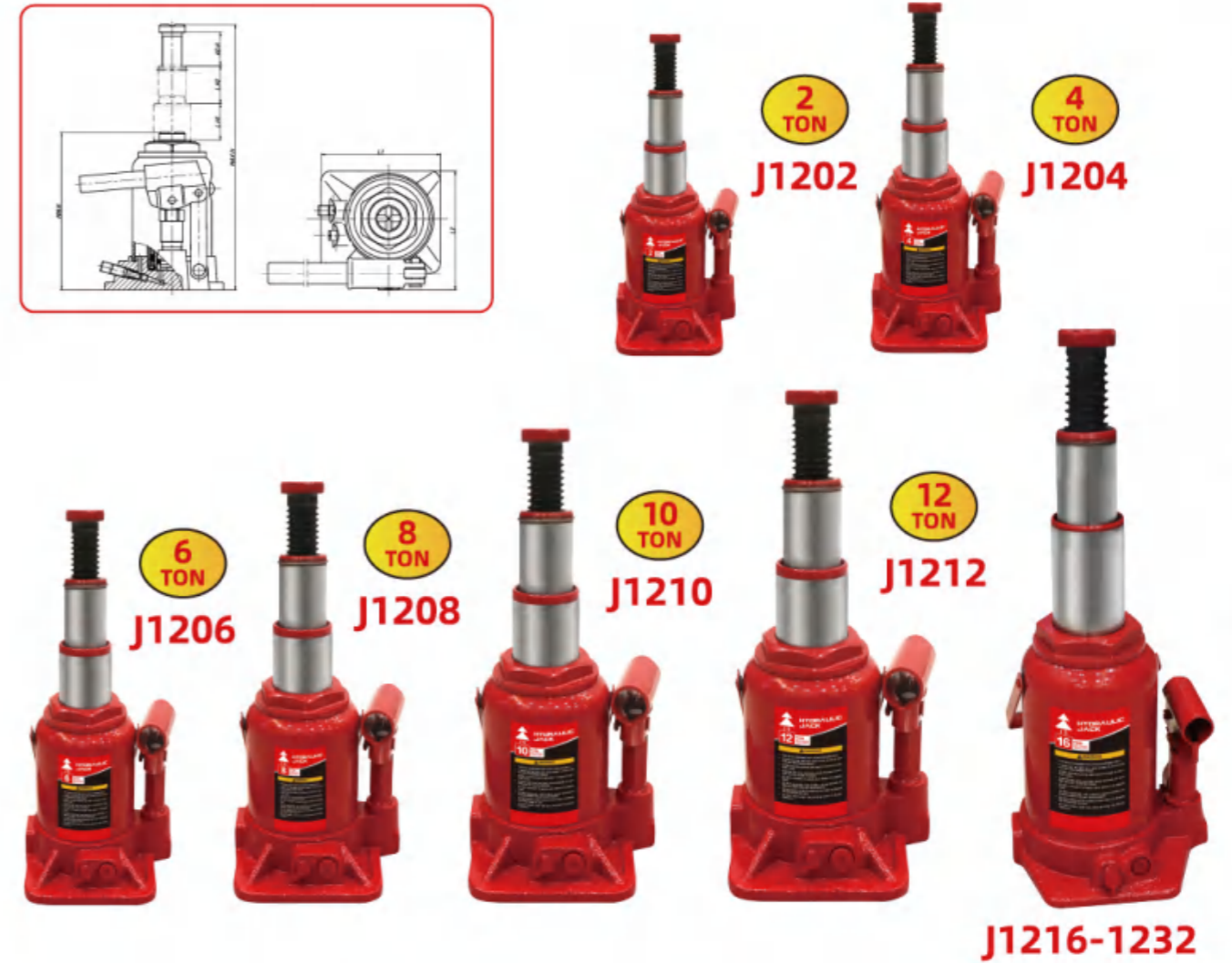
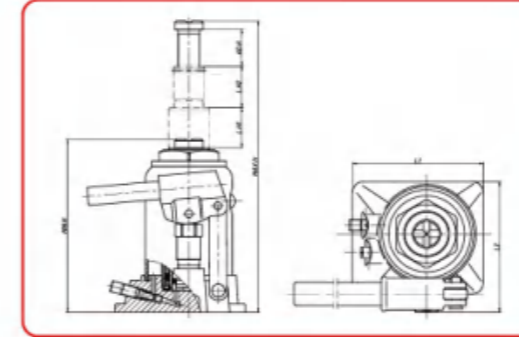
# BOTTLE JACK 立式千斤顶

## 04 SERIES



MODEL	CAPACITY (TON)	MIN.H (MM)	LIFTING.H (MM)	ADJUST.H (MM)	MAX.H (MM)	N.W/PCS (KGS)	G.W/CTN (KGS)	QTY/CTN (PCS)	PACKAGE SIZE
QJD02S	2	158	90	50	298	2.2	23.5	10	52*22.5*17
QJD07S	4	195	125	60	380	3.1	16.5	5	56*12.5*20.5
QJD09-5S	6	215	140	60	415	4	20	5	60*13.5*22.5
QJD13-5S	8	230	155	60	445	4.6	24	5	62*14.5*24
QJD16-5S	10	230	155	60	445	5	26	5	62*15*24
QJD18-5S	12	230	145	60	435	6	25	4	56*15*24
QJD26WS	16	230	145	60	435	7.3	15	2	32*16*24
QJD31S	20	240	150	60	450	9.2	19	2	34*18.5*25
QJD43BS	32	255	150	/	405	12.5	25.6	2	37*19*26.5
QJD43S	32	255	150	60	465	13.5	27.6	2	37*19*26.5
QJD54BS	50	260	180	/	440	26.5	26.8	1	20.5*18*27
QJD55S	50	300	180	/	480	29.5	29.8	1	23.8*21.5*31

# DOUBLE RAM JACK 双节立式千斤顶



MODEL	CAPACITY (TON)	MIN.H (MM)	LIFTING H (MM)	ADJUST H. (MM)	MAX.H (MM)	N.W. (KG)	G.W (KG)	PCS/CARTON (PCS)	PACKAGE SIZE (CM)
J1202	2	165	200	55	420	12.9	15.3	5	60*14.5*20
J1204	4	150	160	35	345	4.2	21.8	5	65.5*14*22
J1206	6	154	160	40	354	5.5	22.8	4	60*16*20
J1208	8	156	171	40	367	6	24.8	4	60*16*20
J1210	10	225	299	50	574	7.5	15.8	2	54*15*18
J1212	12	230	285	50	565	10.5	21.8	2	29*155*25
J1216	16	230	291	50	571	11	22.8	2	38*19.5*25.5
J1220	20	235	285	50	570	15.5	16.3	1	20*19*25
J1232	32	250	280	0	530	22	22.8	1	23*21*26

# HYDRAULIC AIR BOTTLE JACK

## 气动液压千斤顶



MODEL	CAPACITY (TON)	MIN.H (MM)	Lifting.H (MM)	ADJUST.H (MM)	N.W/PCS (KGS)	G.W/CTN (KGS)	QTY/CTN (PCS)	PACKAGE SIZE (CM)
J1305	5	210	140	80	7	7.5	1	20*17*24
J1312	12	250	165	80	12	13	1	24*18*28
J1312A	12	250	165	80	12	13	1	24*18*28
J1320	20	210	120	80	14	15	1	26*21*23
J1320A	20	260	170	80	15	16	1	28*20*28
J1320B	20	260	170	80	15	16	1	28*20*28
J1320C	20	178	90	60	13	14	1	32*18*19

MODEL	CAPACITY (TON)	MIN.H (MM)	Lifting.H (MM)	ADJUST.H (MM)	N.W/PCS (KGS)	G.W/CTN (KGS)	QTY/CTN (PCS)	PACKAGE SIZE (CM)
J1320D	20	220	130	80	14	15	1	26*21*24
J1320E	20	220	130	80	14	15	1	26*21*24
J1330	30	250	150	/	21	22	1	29*22*27
J1330A	30	250	150	/	21	22	1	29*22*27
J1332	32	250	150	/	21	22	1	29*22*27
J1335	35	250	150	/	21	22	1	29*22*27
J1350	50	265	160	/	32	34	1	46*28*31

# AIR FLOOR JACK

## 气动服务项



22 TON  
J1522

MODEL	J1522
CAPACITY(TON)	22
MIN.H(MM)	225+20
LIFTING.H (MM)	130
ADJUST.H(MM)	80
MAX.H(MM)	435+100
N.W/PCS(KGS)	36
G.W/CTN(KGS)	39
PACKAGE SIZE(CM)	64*35*30



30 TON  
J1530

MODEL	J1530
CAPACITY(TON)	30
MIN.H(MM)	263+20
LIFTING.H (MM)	155
ADJUST.H(MM)	120
MAX.H(MM)	538+100
N.W/PCS(KGS)	42
G.W/CTN(KGS)	45
PACKAGE SIZE(CM)	64*35*32



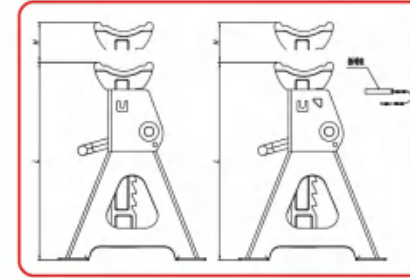
35 TON  
J1535

MODEL	J1535
CAPACITY(TON)	35
MIN.H(MM)	263+20
LIFTING.H (MM)	155
ADJUST.H(MM)	120
MAX.H(MM)	538+100
N.W/PCS(KGS)	42
G.W/CTN(KGS)	45
PACKAGE SIZE(CM)	64*35*32



# JACK STAND

## 保安支架



2 TON  
J1602



3 TON  
J1603



6 TON  
J1606



2 TON  
J1602A



3 TON  
J1603A



6 TON  
J1606A



MODEL	CAPACITY (TON)	MIN.H (MM)	MAX.H (MM)	N.W/PCS (KGS)	G.W/CTN (PAIR)	QTY/CTN (PAIR)	PACKAGE SIZE
J1602	2	265	423	4.9	31	6	45*21*14(COLOR BOX)
J1603	3	265	420	5.1	32	6	45*21*14(COLOR BOX)
J1606	6	405	590	11	45.5	4	45*21*14(COLOR BOX)
J1612	12	465	715	26.3	27.1	1	32*29*57(COLOR BOX)
J1602A	2	282	438	5.1	32	6	45*21*14(COLOR BOX)
J1603A	3	298	418	5.2	32.5	6	45*21*14(COLOR BOX)
J1606A	6	408	592	11.2	46.3	4	45*21*14(COLOR BOX)
J1612A	12	408	592	26.3	27.1	1	32*29*57(COLOR BOX)

# PORTA POWER JACK 分离顶

MODEL	J1704
CAPACITY(TON)	4
MIN.H(MM)	275
LIFTING.H(MM)	120
N.W/PCS(KGS)	16
G.W/CTN(KGS)	18
QTY/CTN(PCS)	1
PACKAGE SIZE(CM)	1.63*36.5*17.5(BLOW MOLD CASE) 2.56*24*18(METAL CASE)



4 TON  
J1704



10 TON  
J1710



MODEL	J1710
CAPACITY(TON)	10
MIN.H(MM)	325
LIFTING.H(MM)	135
N.W/PCS(KGS)	26
G.W/CTN(KGS)	28
QTY/CTN(PCS)	1
PACKAGE SIZE(CM)	1.73*39.5*17.5(BLOW MOLD CASE) 2.72*31*17(METAL CASE)

MODEL	J1720
CAPACITY(TON)	20
MIN.H(MM)	325
LIFTING.H(MM)	145
N.W/PCS(KGS)	40
G.W/CTN(KGS)	42
QTY/CTN(PCS)	1
PACKAGE SIZE(CM)	78*30*20.5(METAL CASE)

20 TON  
J1720



# HYDRAULIC RAM & HAND PUMP 立式超薄型液压千斤顶



0.4L J1801A



0.9L J1801B



2.9L J1801C

MODEL	J1801A	J1801B	J1801C
HIGH PRESSURE(KG/CM2)	60	700	700
LOW PRESSURE(KG/CM2)	/	20	20
OIL CAPACITY(HIGH PRESSURE)(CC)	2	2.3	2.26
OIL CAPACITY(LOW PRESSURE)(CC)	/	13	12.26
TOTAL OIL CAPACITY(L)	0.4	0.9	2.9
N.W/CTN(KGS)	3.8	9.5	15.6
G.W/CTN(KGS)	4.3	10	16.1
PACKAGE SIZE(CM)	59*11.5*15.5	70*14*17	71*15*19



5 TON J1805



10 TON J1810



20 TON J1820



30 TON J1830



50 TON J1850



100 TON J18100

MODEL	J1805	J1810	J1820	J1830	J1850	J18100
CAPACITY(TON)	5	10	20	30	50	100
MIN.H(MM)	41	53/108/162/216	56/111/165/219	66/111/169/223	77/116/171/225	86/126/181/235
LIFTING.H(MM)	7	11/50/100/150	13/50/100/150	14/50/100/150	18/50/100/150	21/50/100/150
EFFECTIVE AREA (CM2)	9.61	10.89/15.89/15.89/15.89	33.16	50.24	78.5	143.06
N.W/PCS(KGS)	0.7	1.6/2.4/3.4/5	2.7/4.4/6.2/9	5/6.4/9.6/14.2	8.5/9.4/12.6/19.4	19.25/20.4/26.5/37.9
G.W/CTN(KGS)	1.2	2.1/2.9/3.9/5.5	3.2/4.9/6.7/9.5	5.5/6.9/10.1/14.7	9/9.9/13.1/19.9	19.7/20.9/27/38.4
PACKAGE SIZE(CM)	7*5*4.3	8.5*6.5*5.5	11*8.5*6	13*10.5*7	16*13*8.1	21.5*18*9

# PULL-BACK RAM 回拉泵



MODEL	CAPACITY (TON)	MAX.LENGTH	STORKE	N.W/PCS (KGS)	G.W/CTN (KGS)	QTY/CTN (PCS)	PACKAGE SIZE (CM)
J1902	2	575	120	3.6	24	6	60*29*23
J1905	5	665	130	5.5	35	6	69*29*23
J1910	10	715	130	8	34	4	68*34*21
J1920	20	980	200	20	21	1	93*20.5*13.5

# PIPE BENDER 弯管机



MODEL	CAPACITY (TON)	VARIOUS SHOE	N.W/PCS (KGS)	G.W/CTN (PAIR)	QTY/CTN (PAIR)	PACKAGE SIZE	QTY/CTN (PAIR)
J2012	12	1/2", 3/4", 1", 1-1/4", 1-1/2", 2"	35	37	1	65*56*20	420
J2016	16	1/2", 3/4", 1", 1-1/4", 1-1/2", 2", 2-1/2", 3"	58	61	1	69*63*22	270

# SHOP CRANE(FIXED OR FOLDABLE) 吊机

## FOLDABLE

MODEL	J2101
CAPACITY(KGS)	700
MIN.H (MM)	170
MAX.H (MM)	1970
N.W/PCS(KGS)	55
G.W/CTN(KGS)	58.7
QTY/CTN(PCS)	1/2
PACKAGE SIZE(CM)	128*26*19+74*43*8



MODEL	J2103
CAPACITY(TON)	2
MIN.H (MM)	0
MAX.H (MM)	2300
QTY/CTN(PCS)	1/2
N.W/PCS(KGS)	68/73/78/83/88
G.W/CTN(KGS)	70/75/80/85/90
PACKAGE SIZE(CM)	136*31.5*16+73*58.5*9
	139.5*31.5*16+83*58.5*9
	139.5*31.5*16+83*58.5*9
	139.5*31.5*16+83*58.5*9



MODEL	J2102
CAPACITY(KGS)	1
MIN.H (MM)	180
MAX.H (MM)	1960
N.W/PCS(KGS)	63
G.W/CTN(KGS)	68
QTY/CTN(PCS)	1/2
PACKAGE SIZE(CM)	139*32*15.5+74*54*9



# SHOP CRANE(FIXED OR FOLDABLE)

吊机

# SHOP PRESS

压机

## FIXED

MODEL	J2105
CAPACITY(TON)	3
MIN.H (MM)	0
MAX.H (MM)	2500
N.W/PCS(KGS)	112
G.W/CTN(KGS)	116
QTY/CTN(PCS)	1/2
PACKAGE SIZE(CM)	144*33*23+135*82*13



3  
TON

J2105



1  
TON

J2106

MODEL	J2106
CAPACITY(TON)	1
MIN.H (MM)	0
MAX.H (MM)	2300
N.W/PCS(KGS)	65
G.W/CTN(KGS)	68
QTY/CTN(PCS)	1/2
PACKAGE SIZE(CM)	132*30*15.5+131*84*8

MODEL	J2107
CAPACITY(TON)	2
MIN.H (MM)	0
MAX.H (MM)	2300
QTY/CTN(PCS)	1/2
N.W/PCS(KGS)	68/73/78/83/88
G.W/CTN(KGS)	70/75/80/85/90
PACKAGE SIZE(CM)	131*84*9+132*30*16
	131*84*9+132*30*16
	131*84*9+132*30*16
	131*84*9+132*30*16



2  
TON

J2107



10  
TON

J2210

MODEL	J2210
CAPACITY (TON)	10
STROKE(MM)	125
MIN.WORKING DISTANCE (MM)	50
MAX.WORKING DISTANCE (MM)	375
N.W/PCS (KGS)	42
G.W/CTN (KGS)	44
QTY/CTN (PCS)	1
PACKAGE	CARTON PACKAGE
PACKAGE SIZE (CM)	80*26*22



20  
TON

J2220A

MODEL	J2210A
CAPACITY (TON)	10
STROKE(MM)	125
MIN.WORKING DISTANCE (MM)	145
MAX.WORKING DISTANCE (MM)	900
N.W/PCS (KGS)	53
G.W/CTN (KGS)	56
QTY/CTN (PCS)	1
PACKAGE	CARTON PACKAGE
PACKAGE SIZE (CM)	135*26*16

10  
TON

J2210A



MODEL	J2220A
CAPACITY (TON)	20
STROKE(MM)	135
MIN.WORKING DISTANCE (MM)	85
MAX.WORKING DISTANCE (MM)	1100
N.W/PCS (KGS)	86
G.W/CTN (KGS)	89
QTY/CTN (PCS)	1/2
PACKAGE	CARTON PACKAGE
PACKAGE SIZE (CM)	162*25*12+70*26*25

# SHOP PRESS 压机

MODEL	J2230A
CAPACITY (TON)	30
STROKE(MM)	130
MIN.WORKING DISTANCE (MM)	140
MAX.WORKING DISTANCE (MM)	940
N.W/PCS (KGS)	136.5
G.W/CTN (KGS)	150
QTY/CTN (PCS)	1
PACKAGE	WOODEN PACKAGE
PACKAGE SIZE (CM)	185*39*28

30  
TON  
J2230A



40  
TON  
J2240

MODEL	J2240
CAPACITY (TON)	40
STROKE(MM)	220
MIN.WORKING DISTANCE (MM)	20
MAX.WORKING DISTANCE (MM)	820
N.W/PCS (KGS)	212
G.W/CTN (KGS)	236
QTY/CTN (PCS)	1
PACKAGE	WOODEN PACKAGE
PACKAGE SIZE (CM)	188*94*40

MODEL	J2250
CAPACITY (TON)	50
STROKE(MM)	220
MIN.WORKING DISTANCE (MM)	20
MAX.WORKING DISTANCE (MM)	820
N.W/PCS (KGS)	222
G.W/CTN (KGS)	246
QTY/CTN (PCS)	1
PACKAGE	WOODEN PACKAGE
PACKAGE SIZE (CM)	188*94*40

50  
TON  
J2250



10  
TON  
J2210B

MODEL	J2220B
CAPACITY (TON)	20
STROKE(MM)	135
MIN.WORKING DISTANCE (MM)	85
MAX.WORKING DISTANCE (MM)	1100
N.W/PCS (KGS)	85
G.W/CTN (KGS)	88
QTY/CTN (PCS)	1/2
PACKAGE	CARTON PACKAGE
PACKAGE SIZE (CM)	162*25*12+70*25*28



10  
TON  
J2210C

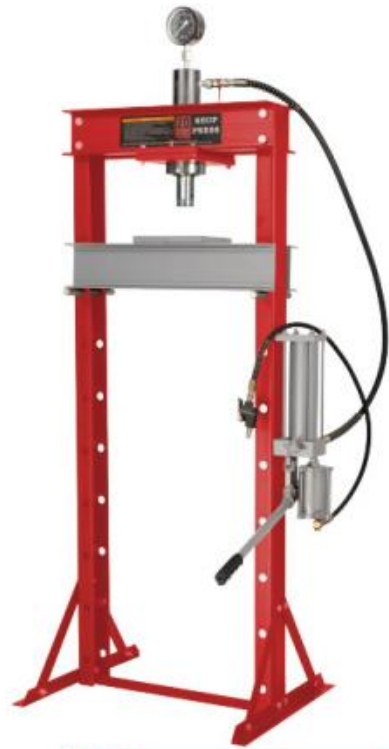
MODEL	J2210B
CAPACITY (TON)	10
STROKE(MM)	125
MIN.WORKING DISTANCE (MM)	145
MAX.WORKING DISTANCE (MM)	900
N.W/PCS (KGS)	57.5
G.W/CTN (KGS)	61
QTY/CTN (PCS)	1
PACKAGE	CARTON PACKAGE
PACKAGE SIZE (CM)	135*28*16

20  
TON  
J2220B



MODEL	J2210C
CAPACITY (TON)	10
STROKE(MM)	125
MIN.WORKING DISTANCE (MM)	145
MAX.WORKING DISTANCE (MM)	900
N.W/PCS (KGS)	53.5
G.W/CTN (KGS)	56
QTY/CTN (PCS)	1
PACKAGE	CARTON PACKAGE
PACKAGE SIZE (CM)	135*26*17

# SHOP PRESS 压机



20  
TON  
**J2220C**

MODEL	J2220C
CAPACITY (TON)	20
STROKE(MM)	135
MIN.WORKING DISTANCE (MM)	85
MAX.WORKING DISTANCE (MM)	1100
N.W/PCS (KGS)	84
G.W/CTN (KGS)	87
QTY/CTN (PCS)	1/2
PACKAGE	CARTON PACKAGE
PACKAGE SIZE (CM)	162*25*12+70*26*25

MODEL	J2230B
CAPACITY (TON)	30
STROKE(MM)	130
MIN.WORKING DISTANCE (MM)	140
MAX.WORKING DISTANCE (MM)	940
N.W/PCS (KGS)	142
G.W/CTN (KGS)	154
QTY/CTN (PCS)	1
PACKAGE	WOODEN PACKAGE
PACKAGE SIZE (CM)	185*40*28



30  
TON  
**J2230B**

MODEL	J2240A
CAPACITY (TON)	40
STROKE(MM)	220
MIN.WORKING DISTANCE (MM)	20
MAX.WORKING DISTANCE (MM)	820
N.W/PCS (KGS)	217
G.W/CTN (KGS)	241
QTY/CTN (PCS)	1
PACKAGE	WOODEN PACKAGE
PACKAGE SIZE (CM)	188*94*40



40  
TON  
**J2240A**



50  
TON  
**J2250A**

MODEL	J2250A
CAPACITY (TON)	50
STROKE(MM)	220
MIN.WORKING DISTANCE (MM)	20
MAX.WORKING DISTANCE (MM)	820
N.W/PCS (KGS)	227
G.W/CTN (KGS)	251
QTY/CTN (PCS)	1
PACKAGE	WOODEN PACKAGE
PACKAGE SIZE (CM)	188*94*40

MODEL	J2212
CAPACITY (TON)	12
STROKE(MM)	125
MIN.WORKING DISTANCE (MM)	40
MAX.WORKING DISTANCE (MM)	705
N.W/PCS (KGS)	44
G.W/CTN (KGS)	46
QTY/CTN (PCS)	1
PACKAGE	CARTON PACKAGE
PACKAGE SIZE (CM)	140*23*13

12  
TON  
**J2212**



20  
TON  
**J2220**

30  
TON  
**J2230**

MODEL	J2220
CAPACITY (TON)	20
STROKE(MM)	140
MIN.WORKING DISTANCE (MM)	50
MAX.WORKING DISTANCE (MM)	830
N.W/PCS (KGS)	70
G.W/CTN (KGS)	74
QTY/CTN (PCS)	1/2
PACKAGE	CARTON PACKAGE
PACKAGE SIZE (CM)	155*27*14+17*16*25

MODEL	J2230
CAPACITY (TON)	30
STROKE(MM)	150
MIN.WORKING DISTANCE (MM)	55
MAX.WORKING DISTANCE (MM)	775
N.W/PCS (KGS)	104
G.W/CTN (KGS)	114
QTY/CTN (PCS)	1
PACKAGE	WOODEN PACKAGE
PACKAGE SIZE (CM)	164*38*25

# ENGINE SUPPORT

引擎支撐架



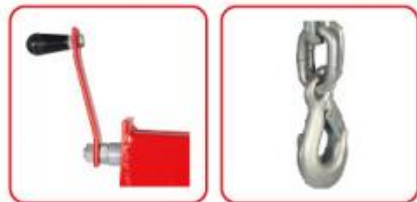
1500  
LBS  
J2501



MODEL	J2501
CAPACITY(LBS)	1500
OPERATING RANGE(MM)	340
N.W/PCS(KGS)	5
G.W/CTN(KGS)	5.5
QTY/CTN(PCS)	1
PACKAGE SIZE(CM)	49*20*9



1500  
LBS  
J2502



MODEL	J2502
CAPACITY(LBS)	1500
OPERATING RANGE(MM)	340
N.W/PCS(KGS)	6
G.W/CTN(KGS)	6.5
QTY/CTN(PCS)	1
PACKAGE SIZE(CM)	49*20*9

# ENGINE LEVELER

引擎平衡架



0.5  
TON  
J2301

MODEL	J2301
CAPACITY(TON)	0.5
LENGTH(MM)	1500
N.W/PCS(KGS)	12.5
G.W/CTN(KGS)	13.5
QTY/CTN(PCS)	1
PACKAGE SIZE(CM)	155*21*10

MODEL	J2302
CAPACITY(TON)	0.5
LENGTH(MM)	1500
N.W/PCS(KGS)	14
G.W/CTN(KGS)	15
QTY/CTN(PCS)	1
PACKAGE SIZE(CM)	155*21*10



0.5  
TON  
J2302



0.5  
TON  
J2303

MODEL	J2303
CAPACITY(TON)	0.5
LENGTH(MM)	1800
N.W/PCS(KGS)	14
G.W/CTN(KGS)	15
QTY/CTN(PCS)	1
PACKAGE SIZE(CM)	185*21*10

MODEL	J2305
CAPACITY(TON)	0.5
LENGTH(MM)	1800
N.W/PCS(KGS)	15.5
G.W/CTN(KGS)	16.5
QTY/CTN(PCS)	1
PACKAGE SIZE(CM)	185*21*10



0.5  
TON  
J2305



0.5  
TON  
J2306

MODEL	J2306
CAPACITY(TON)	0.5
LENGTH(MM)	1500
N.W/PCS(KGS)	17
G.W/CTN(KGS)	18.5
QTY/CTN(PCS)	1
PACKAGE SIZE(CM)	155*21*12

# ENGINE LEVELER 引擎平衡架



0.5 TON  
J2307

MODEL	J2307
CAPACITY(TON)	0.5
LENGTH(MM)	1800
N.W/PCS(KGS)	20
G.W/CTN(KGS)	21.5
QTY/CTN(PCS)	1
PACKAGE SIZE(CM)	185*21*12

MODEL	J2308
CAPACITY(TON)	0.3
LENGTH(MM)	1100
N.W/PCS(KGS)	13
G.W/CTN(KGS)	14
QTY/CTN(PCS)	1
PACKAGE SIZE(CM)	104*21*10



0.3 TON  
J2308

# ENGINE STAND 引擎支撐

750 LBS  
J2601

MODEL	J2601
CAPACITY(LBS)	750
OPERAYING.H(MM)	780
N.W/PCS(KGS)	17.5
G.W/CTN(KGS)	18.5
QTY/CTN(PCS)	1
PACKAGE SIZE(CM)	89*21*18



1000 LBS  
J2602

MODEL	J2602
CAPACITY(LBS)	1000
OPERAYING.H(MM)	790
N.W/PCS(KGS)	18.5
G.W/CTN(KGS)	20
QTY/CTN(PCS)	1
PACKAGE SIZE(CM)	89*23*20



# ENGINE STAND 引擎支撐

1250 LBS  
J2603



MODEL	J2603
CAPACITY(LBS)	1250
OPERAYING.H(MM)	895
N.W/PCS(KGS)	24.5
G.W/CTN(KGS)	26
QTY/CTN(PCS)	1
PACKAGE SIZE(CM)	90*26*23

MODEL	J2605
CAPACITY(LBS)	1500
OPERAYING.H(MM)	895
N.W/PCS(KGS)	24.5
G.W/CTN(KGS)	26
QTY/CTN(PCS)	1
PACKAGE SIZE(CM)	90*26*23

1500 LBS  
J2605



2000 LBS  
J2606



MODEL	J2606
CAPACITY(LBS)	2000
OPERAYING.H(MM)	820
N.W/PCS(KGS)	28
G.W/CTN(KGS)	30
QTY/CTN(PCS)	1
PACKAGE SIZE(CM)	88*39*15

2000 LBS  
J2607

MODEL	J2607
CAPACITY(LBS)	2000
OPERAYING.H(MM)	820
N.W/PCS(KGS)	32
G.W/CTN(KGS)	33
QTY/CTN(PCS)	1
PACKAGE SIZE(CM)	94*45*16



# TRANSMISSION JACK 运送器

MODEL	J2701
CAPACITY(TON)	0.5
MIN.H(MM)	175
MAX.H(MM)	550
N.W/PCS(KGS)	36.5
G.W/CTN(KGS)	42.5
QTY/CTN(PCS)	1
PACKAGE	WOODEN PACKAGE
PACKAGE SIZE(CM)	82*45*26



MODEL	J2702
CAPACITY(TON)	1
MIN.H(MM)	175
MAX.H(MM)	670
N.W/PCS(KGS)	52.5
G.W/CTN(KGS)	59.5
QTY/CTN(PCS)	1
PACKAGE	WOODEN PACKAGE
PACKAGE SIZE(CM)	88*54*26

MODEL	J2703
CAPACITY(TON)	1.5
MIN.H(MM)	185
MAX.H(MM)	840
N.W/PCS(KGS)	71.5
G.W/CTN(KGS)	78.5
QTY/CTN(PCS)	1
PACKAGE	WOODEN PACKAGE
PACKAGE SIZE(CM)	97*55*30



MODEL	J2705
CAPACITY(TON)	2
MIN.H(MM)	210
MAX.H(MM)	950
N.W/PCS(KGS)	122
G.W/CTN(KGS)	137
QTY/CTN(PCS)	1
PACKAGE	WOODEN PACKAGE
PACKAGE SIZE(CM)	116*69*34



MODEL	J2706
CAPACITY(TON)	0.6
MIN.H(MM)	870
MAX.H(MM)	1790
N.W/PCS(KGS)	54
G.W/CTN(KGS)	60
QTY/CTN(PCS)	1
PACKAGE	WOODEN PACKAGE
PACKAGE SIZE(CM)	52*24*80

MODEL	J2707
CAPACITY(TON)	0.5
MIN.H(MM)	870
MAX.H(MM)	1790
N.W/PCS(KGS)	50.5
G.W/CTN(KGS)	57



MODEL	J2708
CAPACITY(TON)	0.5
MIN.H(MM)	870
MAX.H(MM)	1790
N.W/PCS(KGS)	49.5
G.W/CTN(KGS)	55.7
QTY/CTN(PCS)	1
PACKAGE	WOODEN PACKAGE
PACKAGE SIZE(CM)	52*24*80



MODEL	J2709
CAPACITY(TON)	0.5
MIN.H(MM)	840
MAX.H(MM)	1790
N.W/PCS(KGS)	44.5
G.W/CTN(KGS)	50
QTY/CTN(PCS)	1
PACKAGE	WOODEN PACKAGE
PACKAGE SIZE(CM)	52*24*80



MODEL	J2710
CAPACITY(TON)	0.5
MIN.H(MM)	840
MAX.H(MM)	1790
N.W/PCS(KGS)	45.5
G.W/CTN(KGS)	52
QTY/CTN(PCS)	1
PACKAGE	WOODEN PACKAGE
PACKAGE SIZE(CM)	52*24*80



# TRANSMISSION JACK 运送器



MODEL	J2711
CAPACITY(TON)	0.5
MIN.H(MM)	870
MAX.H(MM)	1790
N.W/PCS(KGS)	56.5
G.W/CTN(KGS)	62.5
QTY/CTN(PCS)	1
PACKAGE	WOODEN PACKAGE
PACKAGE SIZE(CM)	52*24*80



0.6 TON  
J2712

MODEL	J2712
CAPACITY(TON)	0.6
MIN.H(MM)	870
MAX.H(MM)	1790
N.W/PCS(KGS)	57
G.W/CTN(KGS)	63.5
QTY/CTN(PCS)	1
PACKAGE	WOODEN PACKAGE
PACKAGE SIZE(CM)	58*24*70



0.5 TON  
J2713

0.5 TON  
J2715

MODEL	J2713
CAPACITY(TON)	0.5
MIN.H(MM)	1120
MAX.H(MM)	1880
N.W/PCS(KGS)	23
G.W/CTN(KGS)	25
QTY/CTN(PCS)	1
PACKAGE SIZE(CM)	103*24*26

MODEL	J2715
CAPACITY(TON)	0.5
MIN.H(MM)	1250
MAX.H(MM)	1750
N.W/PCS(KGS)	27.4
G.W/CTN(KGS)	30
QTY/CTN(PCS)	1
PACKAGE SIZE(CM)	86*26*27



0.5 TON  
J2716

MODEL	J2716
CAPACITY(TON)	0.5
MIN.H(MM)	1180
MAX.H(MM)	1980
N.W/PCS(KGS)	28
G.W/CTN(KGS)	30
QTY/CTN(PCS)	1
PACKAGE SIZE(CM)	110*24*26



0.3 TON  
J2717

MODEL	J2717
CAPACITY(TON)	0.3
MIN.H(MM)	1120
MAX.H(MM)	1880
N.W/PCS(KGS)	22.5
G.W/CTN(KGS)	25
QTY/CTN(PCS)	1
PACKAGE SIZE(CM)	103*24*26



0.6 TON  
J2718

MODEL	J2718
CAPACITY(TON)	0.6
MIN.H(MM)	1180
MAX.H(MM)	1980
N.W/PCS(KGS)	27.5
G.W/CTN(KGS)	30.5
QTY/CTN(PCS)	1
PACKAGE SIZE(CM)	110*27.5*26

MODEL	J2719
CAPACITY(TON)	0.6
MIN.H(MM)	1270
MAX.H(MM)	2070
N.W/PCS(KGS)	37
G.W/CTN(KGS)	39
QTY/CTN(PCS)	1
PACKAGE SIZE(CM)	110*27.5*26



0.6 TON  
J2719

MODEL	J2720
CAPACITY(TON)	0.5
MIN.H(MM)	1270
MAX.H(MM)	2070
N.W/PCS(KGS)	36
G.W/CTN(KGS)	38
QTY/CTN(PCS)	1
PACKAGE SIZE(CM)	110*27.5*26



0.5 TON  
J2720

# TYRE CHANGER

## 轮胎拆装机



J2801

MODEL	J2802
Specification	24° Semi-automatic side swing arm
Power:	1.1kw/0.75kw
Power supply:	220V/380V
Max.wheel diameter:	41"(1040mm)
Max.wheel width:	14"(355mm)
Outside clamping:	10"~21"
Inside clamping:	12" ~ 24"
Air supply:	8bar-10bar
Bead breaker force:	2500kg
Noise level:	<70dB
Weight	216KGS/196KGS
Packing size:	970mm*750mm*910mm

**Features:**

- ⊙ The complete bead breaker cylinder made of steel iron, more durable.
- ⊙ The complete clamping cylinder with  $\phi$  80 diameter, the seal ring and the piston are integrated, less resistance.
- ⊙ The complete gearbox made of aluminium, light and more durable.
- ⊙ Semi-automatic side swing arm
- ⊙ Pneumatic bead breaker



J2802

MODEL	J2801
Specification	Semi-automatic side swing arm
Power:	1.1kw/0.75kw
Power supply:	220V/380V
Max.wheel diameter:	38"(960mm)
Max.wheel width:	13"(330mm)
Outside clamping:	10"~18"
Inside clamping:	12" ~ 22"
Air supply:	8bar-10bar
Bead breaker force:	2500kg
Noise level:	<70dB
Weight	191KG/178KG
Packing size:	970mm*750mm*910mm

**Features:**

- ⊙ The complete bead breaker cylinder made of steel iron, more durable.
- ⊙ The complete clamping cylinder with  $\phi$  80 diameter, the seal ring and the piston are integrated, less resistance.
- ⊙ The complete gearbox made of aluminium, light and more durable.
- ⊙ Semi-automatic side swing arm
- ⊙ Pneumatic bead breaker
- ⊙ Optional motorcycle adaptor



J2803

MODEL	J2803
Specification	26° Semi-automatic side swing arm
Power:	1.1kw/0.75kw
Power supply:	220V/380V
Max.wheel diameter:	45"(1143mm)
Max.wheel width:	16"(406mm)
Outside clamping:	12"~24"
Inside clamping:	14" ~ 26"
Air supply:	8bar-10bar
Bead breaker force:	2500kg
Noise level:	<70dB
Weight	238KGS/208KGS
Packing size:	1080mm*900mm*960mm

**Features:**

- ⊙ The complete bead breaker cylinder made of steel iron, more durable.
- ⊙ The complete clamping cylinder with  $\phi$  80 diameter, the seal ring and the piston are integrated, less resistance.
- ⊙ The complete gearbox made of aluminium, light and more durable.
- ⊙ Semi-automatic side swing arm
- ⊙ Pneumatic bead breaker



J2805

MODEL	J2805
Specification	pneumatically operated tilting column with right help arm
Power:	1.1kw/0.75kw
Power supply:	220V/380V
Max.wheel diameter:	41"(1040mm)
Max.wheel width:	14"(355mm)
Outside clamping:	10"~21"
Inside clamping:	12" ~ 24"
Air supply:	8bar-10bar
Bead breaker force:	2500kg
Noise level:	<70dB
Packing size:	1080mm*900mm*960mm(main body) 1050mm*450*430mm(right help arm)

**Features:**

- ⊙ The complete bead breaker cylinder made of steel iron, more durable.
- ⊙ The complete clamping cylinder with  $\phi$  80 diameter, the seal ring and the piston are integrated, less resistance.
- ⊙ The complete gearbox made of aluminium, light and more durable.
- ⊙ Pneumatically operated tilting column
- ⊙ Simultaneous pneumatic horizontal and vertical arm locker
- ⊙ Capable of handling stiff, wide and low-profile tire
- ⊙ Right help arm
- ⊙ Pneumatic bead breaker

MODEL	J2806
Specification	pneumatically operated tilting column with right help arm, apply rim max 26"
Power:	1.1kw/0.75kw
Power supply:	220V/380V
Max.wheel diameter:	45"(1140mm)
Max.wheel width:	14"(355mm)
Outside clamping:	12"~23"
Inside clamping:	14" ~ 26"
Air supply:	8bar-10bar
Bead breaker force:	2500kg
Noise level:	<70dB
Packing size:	1130mm*900mm*960mm(main body) 1240mm*380*300mm(right help arm)

**Features:**

- ⊙ The complete bead breaker cylinder made of steel iron, more durable.
- ⊙ The complete clamping cylinder with  $\phi$  80 diameter, the seal ring and the piston are integrated, less resistance.
- ⊙ The complete gearbox made of aluminium, light and more durable.
- ⊙ Pneumatically operated tilting column
- ⊙ Simultaneous pneumatic horizontal and vertical arm locker
- ⊙ Capable of handling stiff, wide and low-profile tire
- ⊙ Right help arm
- ⊙ Pneumatic bead breaker



J2806

# WHEEL BALANCER

## 轮胎平衡机

J2902



MODEL	J2902
Specification	Hand-operated distance and wheel diameter input
Max.wheel weight	65kg
Motor Power	0.2kw
Power Supply	220V
Balancing accuracy	±1g
Balancing speed	220r.p.m
Rim diameter	10"~24"
Rim width	1.5" ~ 20"
Measuring time	8s
Noise level	<70dB
Packing Size	900mm*560mm*1150mm
Weight	90kg/110kg

MODEL	J2901
Specification	Hand-operated distance and wheel diameter input
Max.wheel weight	65kg
Motor Power	0.2kw
Power Supply	220V
Balancing accuracy	±1g
Balancing speed	220r.p.m
Rim diameter	10"~24"
Rim width	1.5" ~ 20"
Measuring time	8s
Noise level	<70dB
Packing Size	970mm*750mm*1150mm
Weight	98kg/120kg

J2901



MODEL	J2903
Specification	Automatic distance and wheel diameter measuring
Max.wheel weight	65kg
Motor Power	0.2kw
Power Supply	220V
Balancing accuracy	±1g
Balancing speed	220r.p.m
Rim diameter	10"~24"
Rim width	1.5" ~ 20"
Measuring time	8s
Noise level	<70dB
Packing Size	970mm*750mm*1150mm
Weight	98kg/120kg

J2903



J2905



MODEL	J2905
Specification	Automatic distance and wheel diameter measuring
Max.wheel weight	65kg
Motor Power	0.2kw
Power Supply	220V
Balancing accuracy	±1g
Balancing speed	220r.p.m
Rim diameter	10"~24"
Rim width	1.5" ~ 20"
Measuring time	8s
Noise level	<70dB
Packing Size	900mm*560mm*1150mm
Weight	90kg/110kg

J2907



MODEL	J2907
Specification	LCD Wheel balancer with laser and automatic stop
Max.wheel weight	65kg
Motor Power	0.2kw
Power Supply	110V/220V
Balancing accuracy	±1g
Balancing speed	220r.p.m
Rim diameter	10"~24"
Rim width	1.5" ~ 20"
Measuring time	8s
Noise level	<70dB
Packing Size	900mm*800mm*1050mm
Weight	103kg/128kg

MODEL	J2906
Specification	Automatic & small LCD screen, with pedal brake, aluminum ruler head
Max.wheel weight	65kg
Motor Power	0.2kw
Power Supply	220V
Balancing accuracy	±1g
Balancing speed	220r.p.m
Rim diameter	10"~24"
Rim width	1.5" ~ 20"
Measuring time	8s
Noise level	<70dB
Packing Size	970mm*750mm*1150mm
Weight	90kg/110kg

J2906



# MOTOR TOOLS

## 摩托车工具



MODEL	J3002
CAPACITY	1100LBS
N.W	14kg
G.W	14.5KG
PACKAGE SIZE	54*35.5*10.5cm
PARTS ATTACHED	Sleeve & Safter Lathc & 2 pcs top head
PRODUCT MIN SIZE (without 2pcs top head)	450*170*90mm
PRODUCT MAX SIZE (without 2pcs top head)	450*170*400mm
PRODUCT MAX SIZE (with 2pcs top head)	450*170*500mm

MODEL	J3001
CAPACITY	1100LBS
N.W	13KG
G.W	13.5KG
PACKAGE SIZE	46*28*10.5cm
PARTS ATTACHED	Sleeve and Rubber
PRODUCT MIN SIZE	370*230*90mm
PRODUCT MAX SIZE	370*230*340mm



MODEL	CAPACITY(LBS)	MIN.H(MM)	LIFTING.H(MM)
J3015	1500	146	274
MAX.H(MM)	N.W(KG)	G.W(KG)	PACKAGE SIZE
420	34	36	89*44*15



LIFT FRAME FOR MOTO	
PACKAGE SIZE	15*15*11.5CM

L-SUPPORT UNITE



U-SUPPORT UNITE



# SCREW JACK

## 螺旋顶

### J3203-J3220 (3.2TON-200TON)



### J3202A/J3202B/J3202C

MODEL	CAPACITY (TON)	MIN.H (MM)	LIFTING.H (MM)	ADJUST.H (MM)	N.W (KG)	G.W (KG)	PACKAGE	QTY/CTN (PCS)	MEASUREMENT (CM)	20'CONTAINER (PCS)
J3202A	2	150	310	/	3.5	22	Color Box	6	50.6*25*16	7300
J3202B	2	180	390	/	3.9	24.5	Color Box	6	50.6*25*19.2	6600
J3202C	2	215	485	/	4.1	25.5	Color Box	6	50.6*25*22.5	6350
J3203	3.2	220	110	/	4.9	20.6	Carton	4	53.5*26*16	4400
J3205	5	250	130	/	6.4	26.6	Carton	4	55*28.7*18	3500
J3208	8	260	140	/	6.5	27	Carton	4	55*28.7*18	3500
J3210	10	280	150	/	8.6	26.8	Carton	3	51*31.5*19.5	2550
J3210D	10D	200	75	/	5.9	24.6	Carton	4	55*28.7*18	3500
J3216	16	320	180	/	11.9	36.7	Carton	3	56*36.5*22.5	1800
J3220	20	325	180	/	12.5	38.5	Carton	3	56*36.5*22.5	1800
J3220D	20D	225	90	/	10.2	31.6	Carton	3	56*36.5*22.6	1800
J3225	25	275	130	/	11.1	23.2	Carton	2	44.5*42*23.5	1900
J3232	32	395	200	/	20.1	41.2	Carton	2	49*32.5*26.5	1100
J3232D	32D	320	180	/	17.7	36.4	Carton	2	44.5*37*21.5	1240
J3250	50	452	250	/	36.2	37.2	Carton	1	50*39*31	610
J3250D	50D	330	150	/	29.2	30.2	Carton	1	38*36*27	720
J32100	100	452	200	/	71.7	72.7	Carton	1	55*28.7*18	300
J32200	200	472	200	/	130	131	Carton	1	57*48*42	170

# HYDRAULIC VEHICLE POSTONING JACK

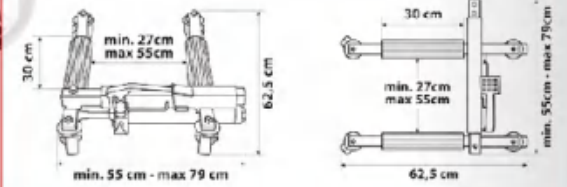
[ 液压移动车座 ]



**J1712A**

**MECHANICAL**

- » Features with heavy duty all steel constructions and a quick release foot pump
- » Professional positioning hydraulic jack helps to move your car or engine easily



**MECHANICAL**



**J1712B**

MODEL	J1712A	J1712B
CAPACITY(LBS)	1250	1250
ROLLER LENGHT	9"	12"
ADJUSTING RANGE(MM)	335-595	335-595
N.W/PCS(KGS)	13.5	14
G.W/CTN(KGS)	15.5	16
QTY/CTN(PCS)	1	1
PACKAGE SIZE(CM)	62*60*22	68*62*22



**J1715A**

MODEL	J1715A
CAPACITY(LBS)	1500
ROLLER LENGHT	9"
ADJUSTING RANGE(MM)	345-650
N.W/PCS(KGS)	17
G.W/CTN(KGS)	19
QTY/CTN(PCS)	1 or 2
PACKAGE SIZE(CM)	62*62*22/88*62*22

MODEL	J1715B
CAPACITY(LBS)	1500
ROLLER LENGHT	12"
ADJUSTING RANGE(MM)	345-650
N.W/PCS(KGS)	18
G.W/CTN(KGS)	20
QTY/CTN(PCS)	1 or 2
PACKAGE SIZE(CM)	68*62*22/88*62*22



**J1715B**

**STEEL**



**J1715C**

MODEL	J1715C
CAPACITY(LBS)	1500
ROLLER LENGHT	12"
ADJUSTING RANGE(MM)	345-650
N.W/PCS(KGS)	20.5
G.W/CTN(KGS)	22.5
QTY/CTN(PCS)	1 or 2
PACKAGE SIZE(CM)	68*62*22/88*62*22

MODEL	J1715D
CAPACITY(LBS)	1500
ROLLER LENGHT	12"
ADJUSTING RANGE(MM)	345-650
N.W/PCS(KGS)	18.5
G.W/CTN(KGS)	20.5
QTY/CTN(PCS)	1 or 2
PACKAGE SIZE(CM)	68*62*22/88*62*22



**J1715D**

**ALUMINIUM**



**J1715E**

MODEL	J1715E
CAPACITY(LBS)	1500
ROLLER LENGHT	12"
ADJUSTING RANGE(MM)	345-650
N.W/PCS(KGS)	18
G.W/CTN(KGS)	20
QTY/CTN(PCS)	1 or 2
PACKAGE SIZE(CM)	68*62*22/88*62*22

MODEL	J1715F
CAPACITY(LBS)	1500
ROLLER LENGHT	13"
ADJUSTING RANGE(MM)	425-700
N.W/PCS(KGS)	22
G.W/CTN(KGS)	25
QTY/CTN(PCS)	1
PACKAGE SIZE(CM)	70*65*21



**J1715F**

# CLAW HYDRAULIC JACK 爪式千斤顶



J3302



J3305



MODEL	J3302	J3305	J3310
HEIGHT (MM)	232	283	322
LOWEST POSITION OF CLAW (MM)	20	20	25
YANG HIGH (MM)	115	148	158
BASE DIMENSIONS LONG X WIDE (MM)	210*140	260*200	295*220
CLAW LENGTH X WIDTH (MM)	45*65	50*100	55*115
CLAW LOAD RATING (TON)	2.5	5	10
G.W.(KG)	12	24	37
N.W.(KG)	11	23	36

J3310



J3315

MODEL	J3315	J3325
HEIGHT (MM)	350	350
LOWEST POSITION OF CLAW (MM)	30	50
YANG HIGH (MM)	158	150
BASE DIMENSIONS LONG X WIDE (MM)	305*255	340*285
CLAW LENGTH X WIDTH (MM)	60*130	65*130
CLAW LOAD RATING (TON)	15	25
G.W.(KG)	56	76
N.W.(KG)	55	74

J3325



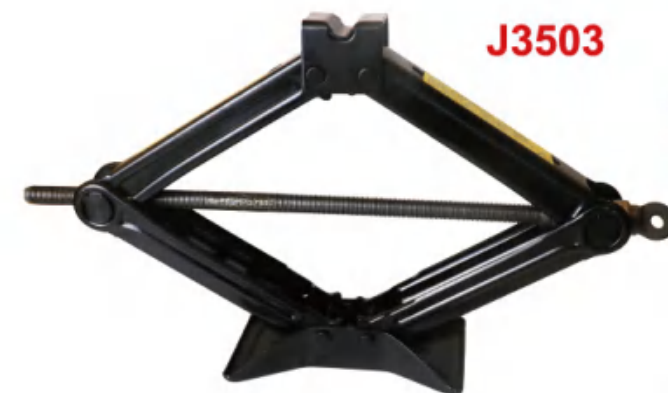
# SCISSOR JACK 剪顶



J3501



J3502



J3503

MODEL	J3501	J3502	J3503
CAPACITY(TON)	1	1.5	2
MIN.H(MM)	90	100	95
MAX.H(MM)	328	390	440
N.W/PCS(KGS)	1.82	2.27	2.65
G.W/CTN(KGS)	19.8	24	28.3
QTY/CTN(PCS)	10	10	10
PACKAGE SIZE(CM)	61.5*42*23	61.5*44*23.5	61.5*53*24

# FARM JACK 农夫顶

MODEL	J3620	J3633
CAPACITY (INCH)	20"	33"
MIN.H (MM)	130	130
MAX.H (MM)	680	700
N.W/PCS (KGS)	11	12
G.W/CTN (PAIR)	12	13
QTY/CTN (PAIR)	1	1
PACKAGE SIZE	54*24*14	89*24*14
QTY/20'CY(PCS)	1450	920

MODEL	J3648	J3660
CAPACITY (INCH)	48"	60"
MIN.H (MM)	130	130
MAX.H (MM)	1070	1350
N.W/PCS (KGS)	13	14
G.W/CTN (PAIR)	14	15
QTY/CTN (PAIR)	1	1
PACKAGE SIZE	124*24*14	154*24*14
QTY/20'CY(PCS)	650	520



# CAR CREEPER

## 修车躺板



**J3740A**

MODEL	J3740A
CAPACITY(INCH)	40" FOLDING
N.W(KG)	6.5
G.W(KG)	7.5
SIZE(CM)	54*44*16



**J3736A**

MODEL	J3736A
CAPACITY(INCH)	36" FOLDING
N.W(KG)	5.5
G.W(KG)	6.5
SIZE(CM)	48*44*16



**J3736**

MODEL	J3736
SPE.	36"
CAPACITY(KG)	150
N.W(KG)	4
G.W(KG)	4.5
SIZE(CM)	93*49*9



**J3740**

MODEL	J3740
SPE.	40"
CAPACITY(KG)	150
N.W(KG)	4.6
G.W(KG)	5.2
SIZE(CM)	104*49*9

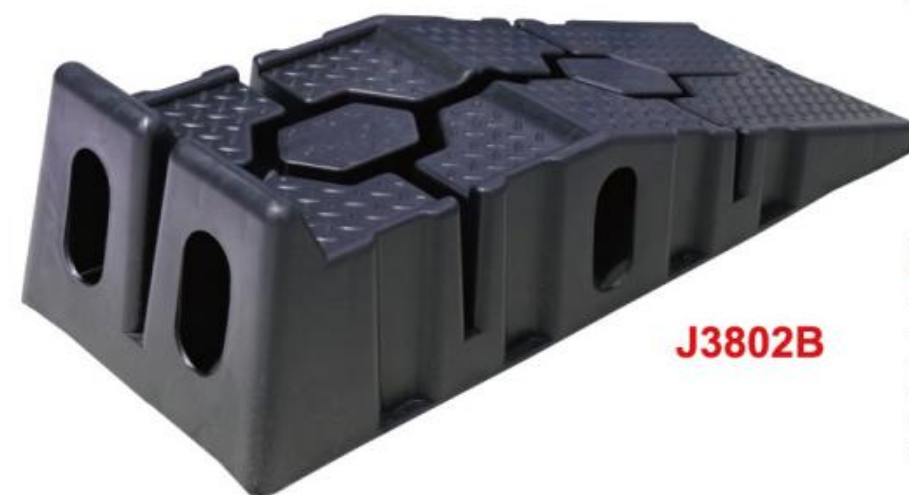
# CAR RAMP

## 坡道



**J3802A**

MODEL	J3802A
CAPACITY(TON)	2 TON/WITHOUT JACK
MAX.TYRE WIDTH	245MM
N.W(KG)	15.5
G.W(KG)	16
QTY/CTN	1
SIZE(CM)	156*37*31



**J3802B**

MODEL	J3802B
CAPACITY(TON)	2 TON/PLASTIC
MAX.TYRE WIDTH	310 MM
N.W(KG)	7.2
G.W(KG)	8.2
QTY/CTN	1
SIZE(CM)	91.5*34*31

# CAR SEAT 修车凳



**J3901**

MODEL	J3901
SPE.	WITHOUT DRAWER
N.W(KG)	4
G.W(KG)	4.5
SIZE(CM)	39*38*12



**J3902**

MODEL	J3902
SPE.	PNEUMATIC
N.W(KG)	4.5
G.W(KG)	5
SIZE(CM)	40*40*12

# ELECTRIC SCISSOR JACK

## 电动剪顶



**J4015A**



**J4015B**



**J4015C**

MODEL	J4015A	J4015B	J4015C
3 IN 1 electric Hydraulic jack	(3in 1:Lifting+Inflating+LED Light)		
JACK Function Specification			
Rated power	150W	150W	150W
Operating Voltage	DC12V	DC12V	DC12V
Max.current	13A	13A	13A
Fuse	15A	15A	15A
Max.Loading Car Weight	5T	5T	5T
Lifting range	135-360mm	155-450mm	155-450/155-530mm
Inflating Function Specification			
Max Pressure	150psi	150psi	150psi
Air Flow	35L/min	35L/min	35L/min
Current	10A	10A	10A
Air hose length	0.65m	0.65m	0.65m
Power cable	4M	4M	4M
Electric impact wrench:			
Wrench function specification	Z5B02	Z5B02	Z5B02
Rated power	80W	80W	80W
Operating Voltage	DC12V	DC12V	DC12V
Max.current	13A	13A	13A
Fuse	15A	15A	15A
Max.Torque	480N.M	480N.M	480N.M
PACKING	Bmc with poly bag	Bmc with poly bag	Bmc with poly bag
Jack weight	4.61kgs	4.92kgs	5.8kgs
Jack size	32*15*14.5cm	32*15*15.5cm	32*15*14.5cm
Wrench weight	1.42kg	1.42kg	1.4kg
Wrench size	25*9.5*14CM	25*9.5*14CM	25*9.5*14CM
Plastic box size	36.5*33*16cm	36.5*33*16cm	36*33*16cm
Weight (pc)	8.74/9.1kg	9/9.35kg	9.9/10.25kg
1pcs with carton	9.1kg	9.35kg	10.25kg
1pcs carton size	36.5*34.5*17cm	36.5*34.5*17cm	36.5*34.5*17cm
Set/ctn	3pcs/ctn	3pcs/ctn	3pcs/ctn
N.W/G.W	26.22/26.97kg	27/27.75kg	29.65/30.4kg
Carton size	49.5*36.5*34.5cm	49.5*36.5*34.5cm	49.5*36.5*34.5cm
20'FT	486CTN/1458 PCS	486CTN/1458 PCS	486CTN/1458 PCS



**J4002**



**J4003**



**J4005**

PRODUCT NAME	2IN 1 CAR REPAIR TOOL KIT
Model	J4002/J4003/J4005
Rated power	100W
Operating Voltage	DC12V
Max.current	13A
Fuse	15A
Max.Loading Car Weight	2T/3T
Lifting range	12-35cm/12-37cm/17-42cm
Power Cable	3.5M
<b>Z5B02/Z5B01/Z5B05</b>	
Operating Voltage	DC12V
Max.current	13A
Fuse	15A
Rated power	80W
Max.Torque	480N.M/380N.W
Power Cable	3.5M
<b>Z52J-B02 / Z53J-B01/Z535J-B05/Z525J-B05 PACKING</b>	
Package	BMC with poly bag
N.W/G.W(PC)	Z52J-B02:7.89/8.24KGS Z53J-B01:8.18/8.68KGS Z525J-B05:8/8.35kg Z535J-B05:8.2/8.69kg
Plastic box size	Z52J-B02/Z53J-B01:47.5*32.5*12.5CM Z535J-B05/Z525J-B05:44*14*36CM
1 pcs carton size	Z52J-B02/Z53J-B01:48*13*33.5CM Z535J-B05/Z525J-B05:44.5*14*36.5CM
1 pcs with carton weight	Z52J-B02:8.5kg Z53J-B01:9kg Z525J-B05:8.75kg Z535J-B05:9.25kg
set/ctn	3PCS/CTN
N.W/G.W	Z52J-B02:23.67/24.43kg Z53J-B01:24.54/25.4kg Z525J-B05:24.45kg Z535J-B05:28.6kg
Carton size	Z52J-B02/Z53J-B01:48*39*33.5CM Z535J-B05/Z525J-B05:44*39.5*36.5CM
20'FT	Z52J-B02/Z53J-B01:504ctn/1512pcs Z535J-B05/Z525J-B05:483ctn/1449pcs