

**LUYISI** windows and doors

FREE VISION  
PUSH THE LIMITS OF  
THE WORLD

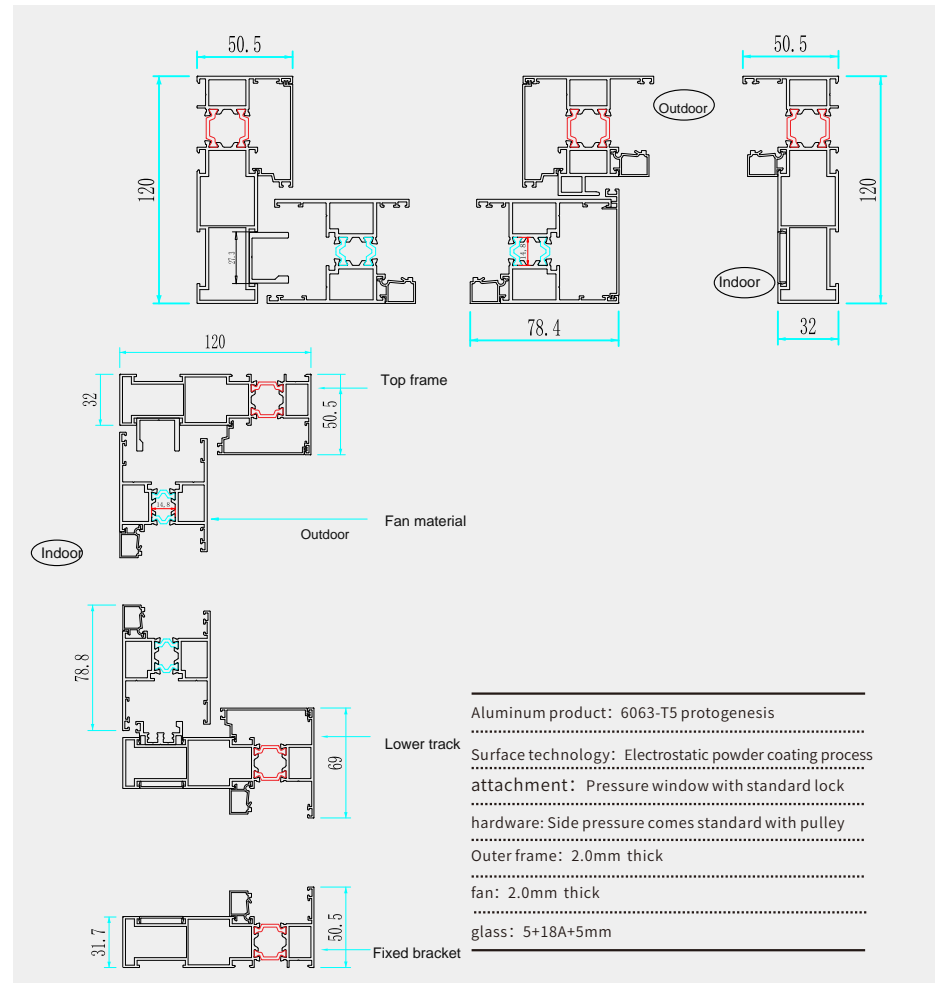
Sliding windows, casement  
windows Sliding doors, folding doors  
,  
swing doors

 400-8383-208



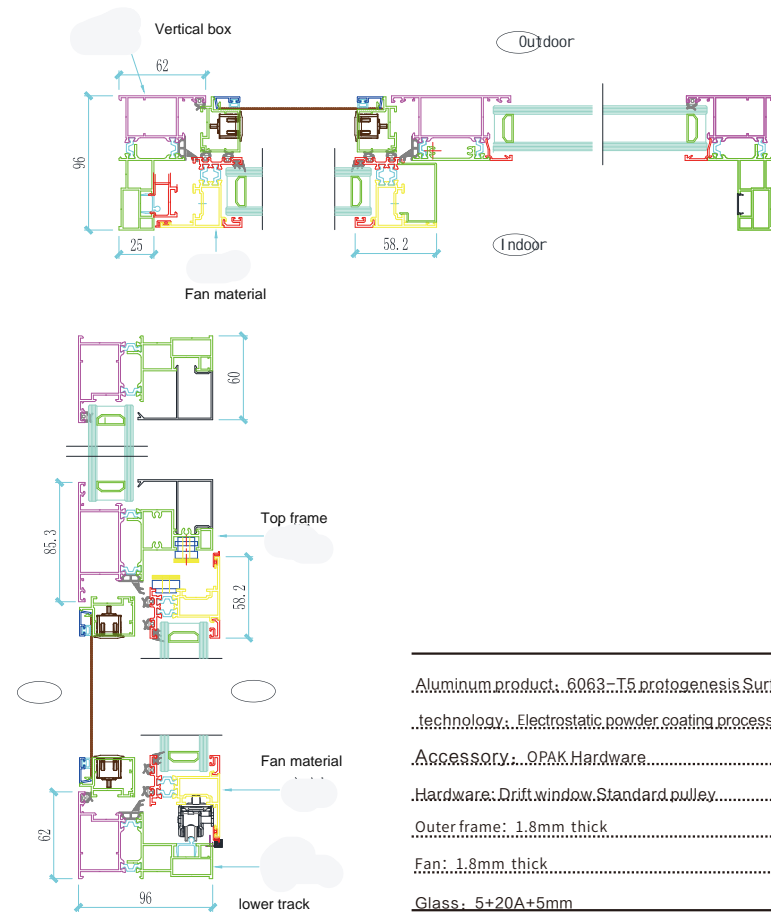
# 120

## 120 BROKEN BRIDGE SIDE PRESSURE WINDOW



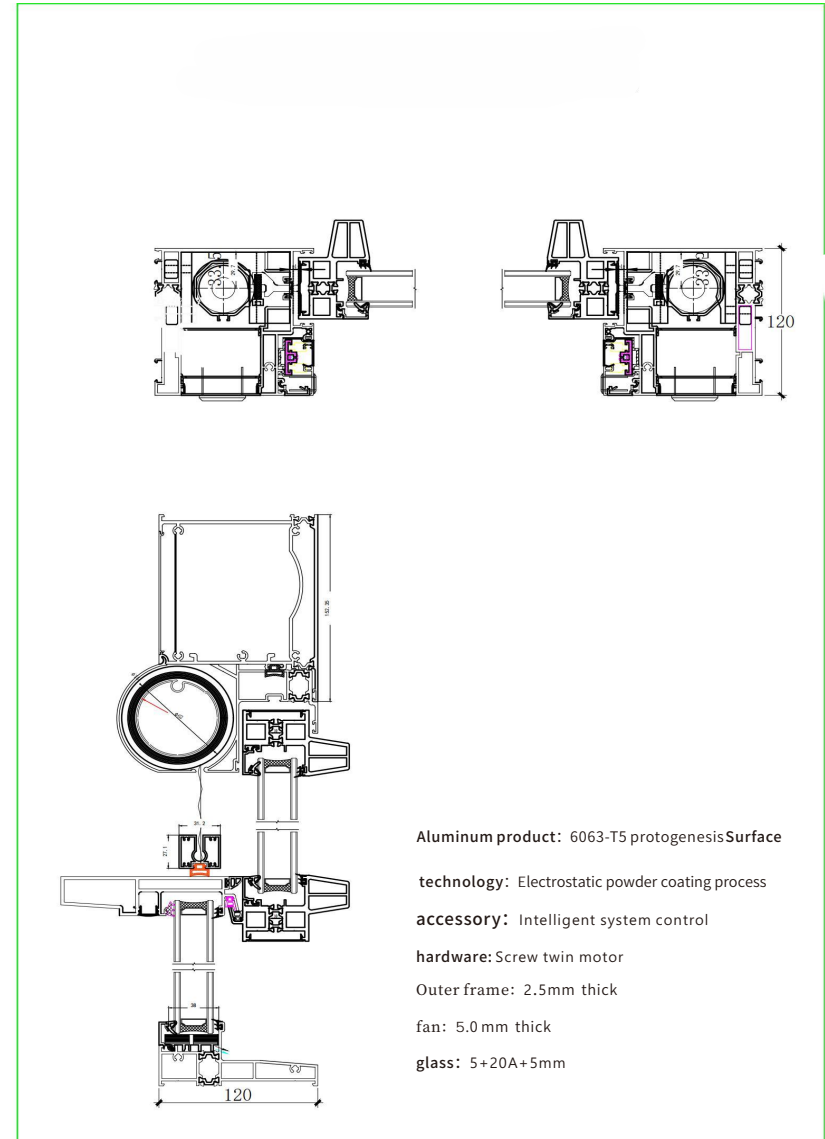
# 95

## 95 DRIFT WINDOW



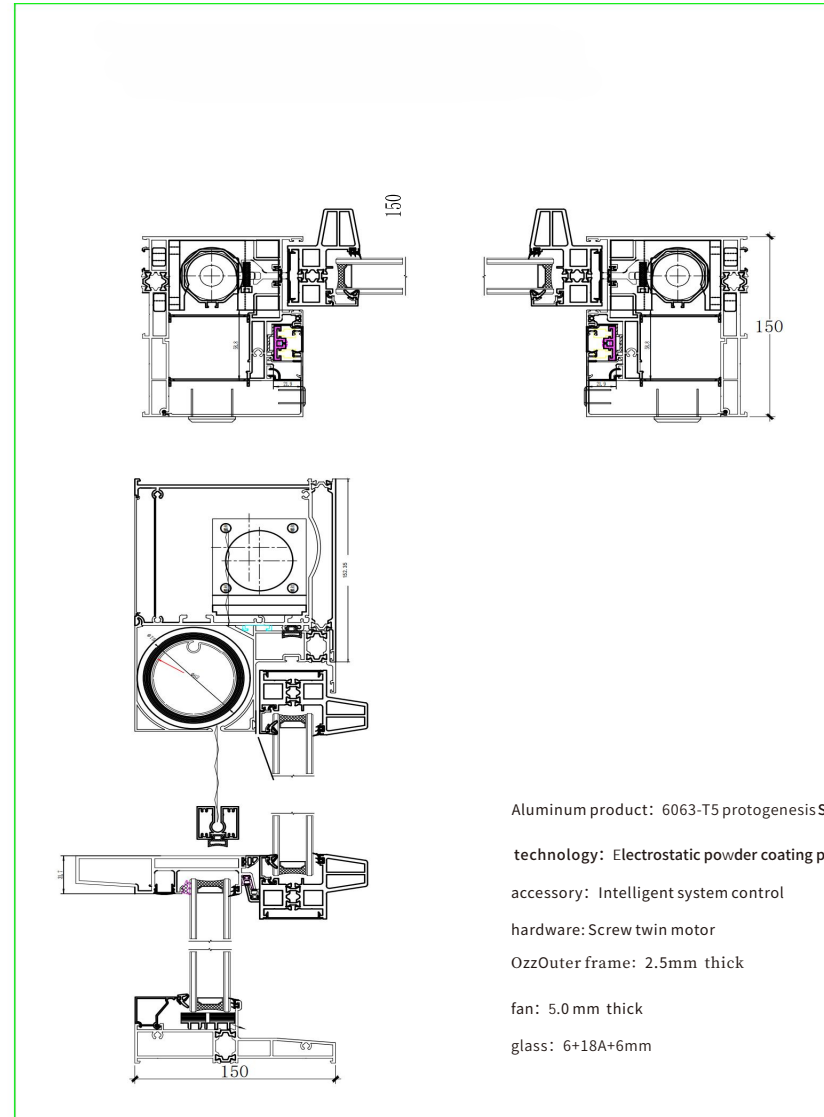
# 120

## Screw twin motor lifting window



# 150

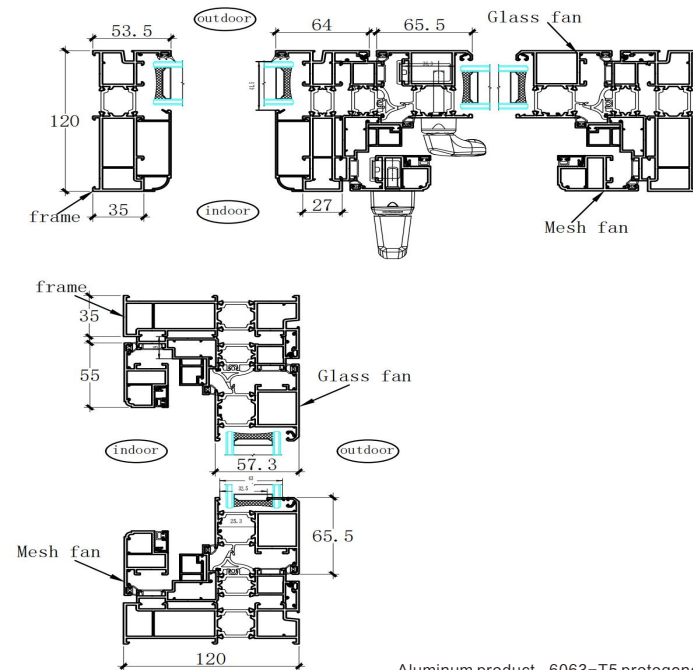
## Screw twin motor lifting window





# 120

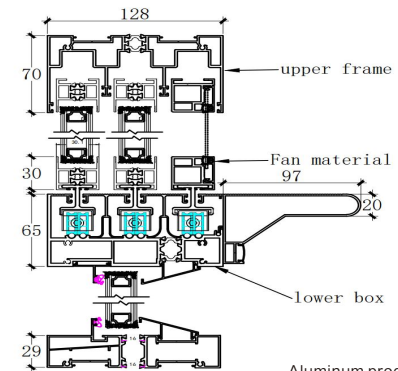
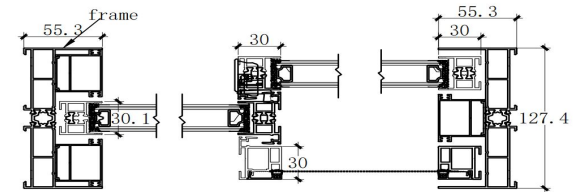
## ST. PETERSBURG 120 BROKEN BRIDGE CASEMENT WINDOW



Aluminum product: 6063-T5 protogenesis Surface technology: Electrostatic powder coating process  
Accessory: System window handle lock  
Hardware: Hidden hinge  
Outer frame: 2.0mm thick  
Fan: 2.0mm thick  
Glass: 5+27A+5mm

# 128

## 128 FLOATING SLIDING WINDOW



Aluminum product: 6063-T5 protogenesis

Surface technology: Electrostatic powder coating process

Accessory: Suspension window standard lock

Hardware: Suspended Window Standard pulley Outer

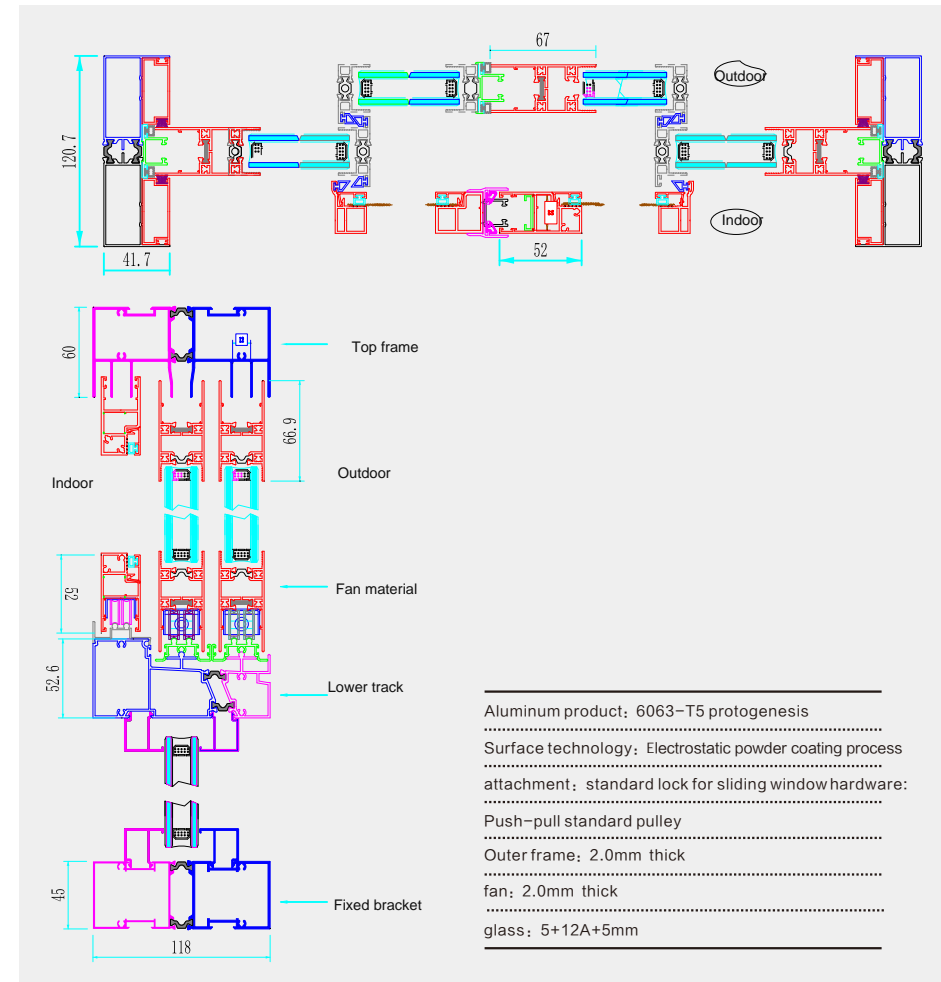
frame: 3.0mm thick

Fan: 3.0mm thick

Glass: 5+15A+5mm

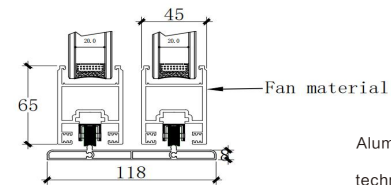
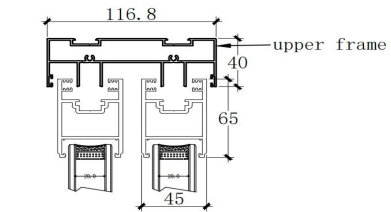
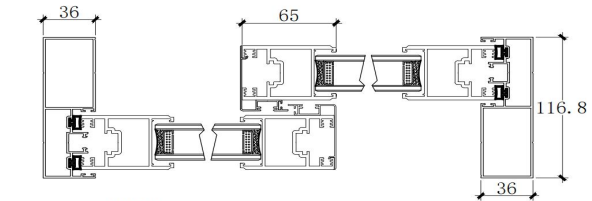
# 118

## 118 SIX-TRACK SLIDING WINDOW



# 65

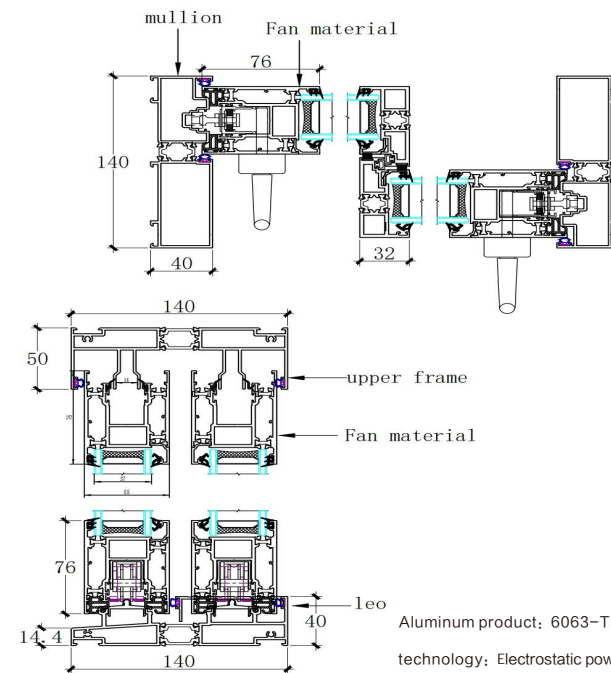
## 65 SLIDING DOOR



Aluminum product: 6063-T5 protogenesis Surface  
technology: Electrostatic powder coating process  
Accessory: Internet celebrity bounce lock Pulley:  
Amber ultra quiet wheel  
Outer frame: 1.6mm thick  
Fan: 3.0mm thick  
Glass: 5+20A+5mm

# 140

## FRANKFURT 140 LIFT SLIDING DOOR



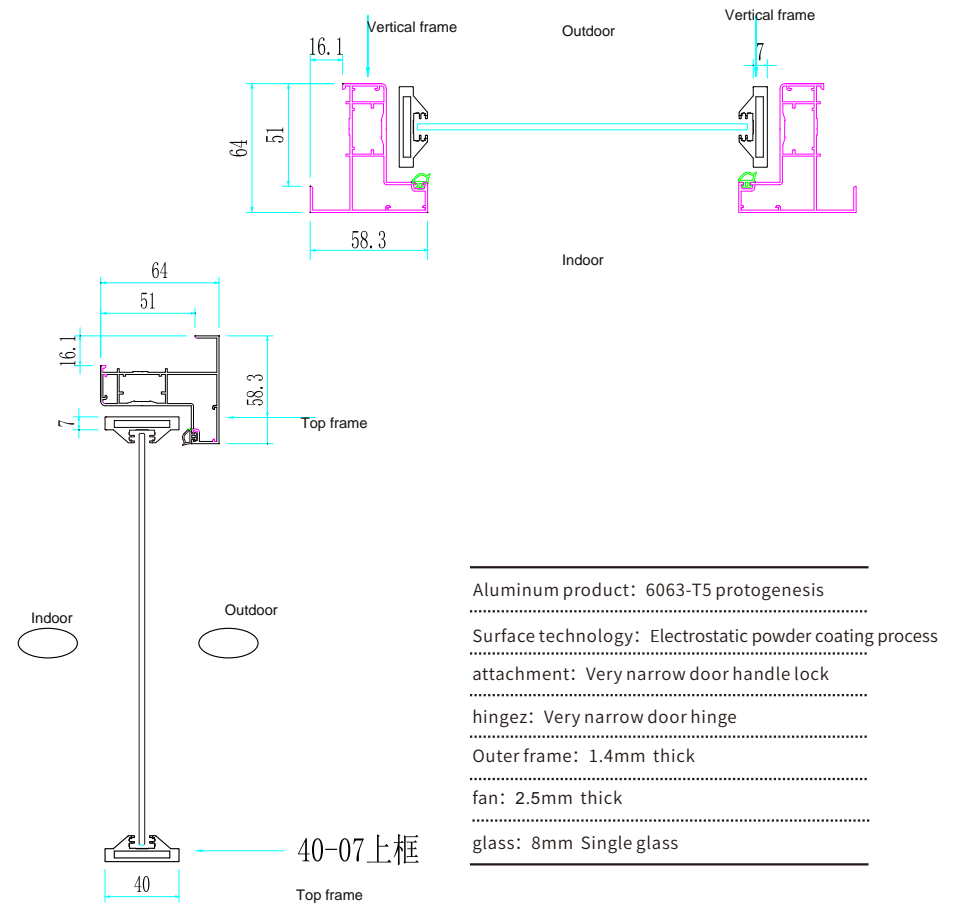
Inward-opening sash fixing solution

Aluminum product: 6063-T5 protogenesis Surface  
technology: Electrostatic powder coating process  
Accessory: Standard lock for lifting doors Hardware:  
Upgrade the standard pulley  
Outer frame: 2.0mm thick  
Fan: 2.5mm thick  
Glass: 5+27A+5mm



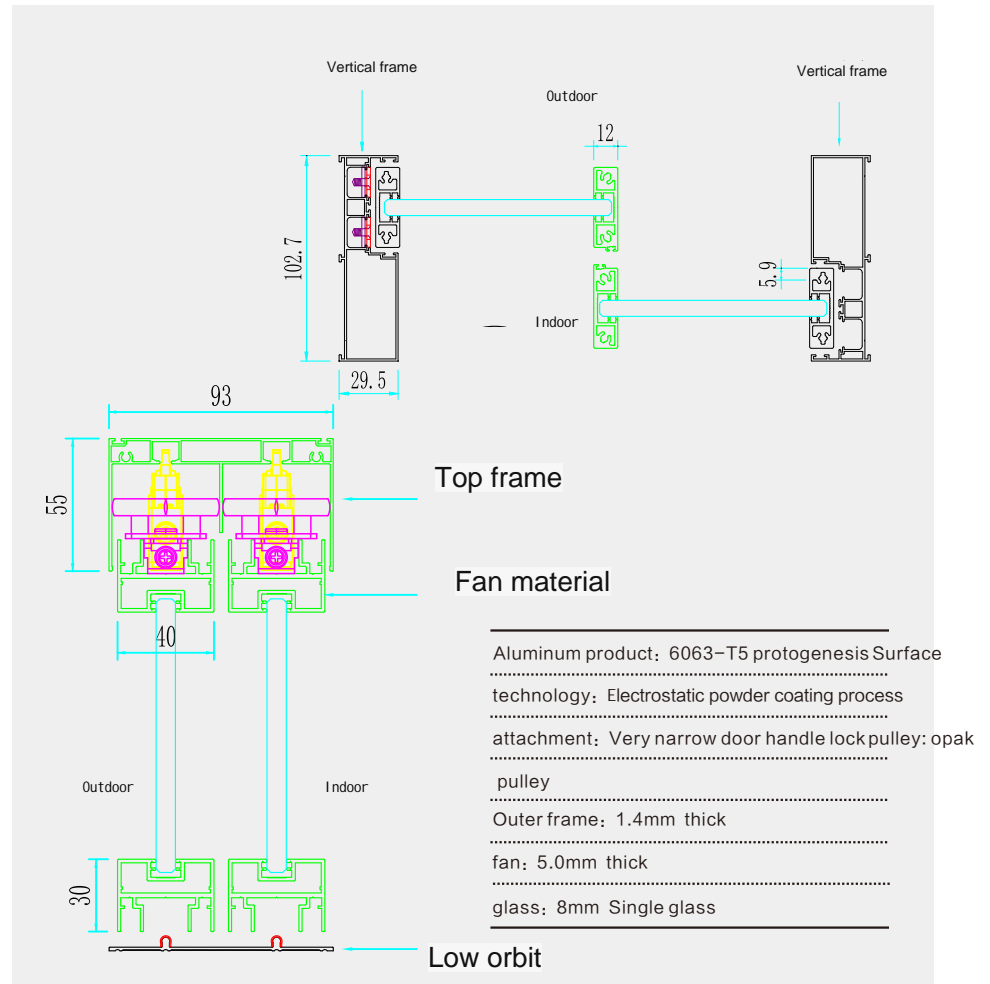
# 40-07

40-07 OPEN THE DOOR



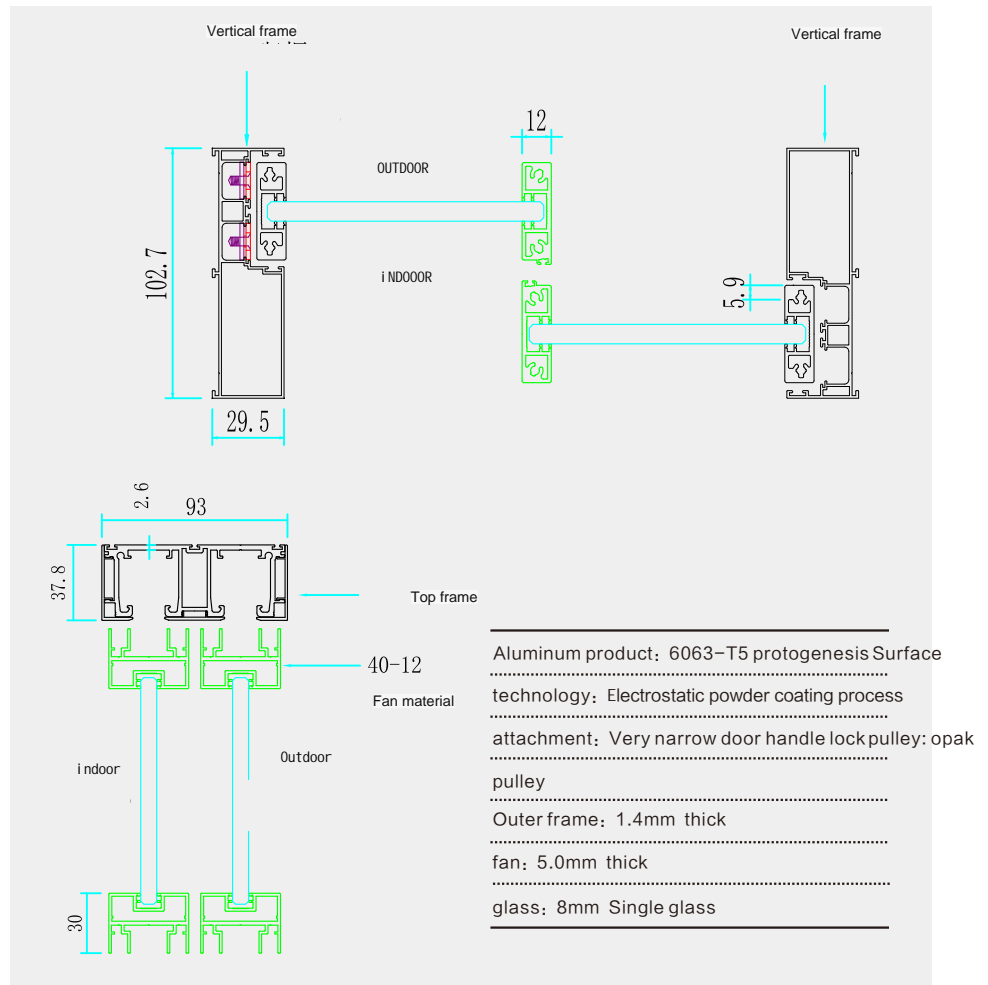
# 40-12

## 40-12 SLIDING DOOR STRUCTURE



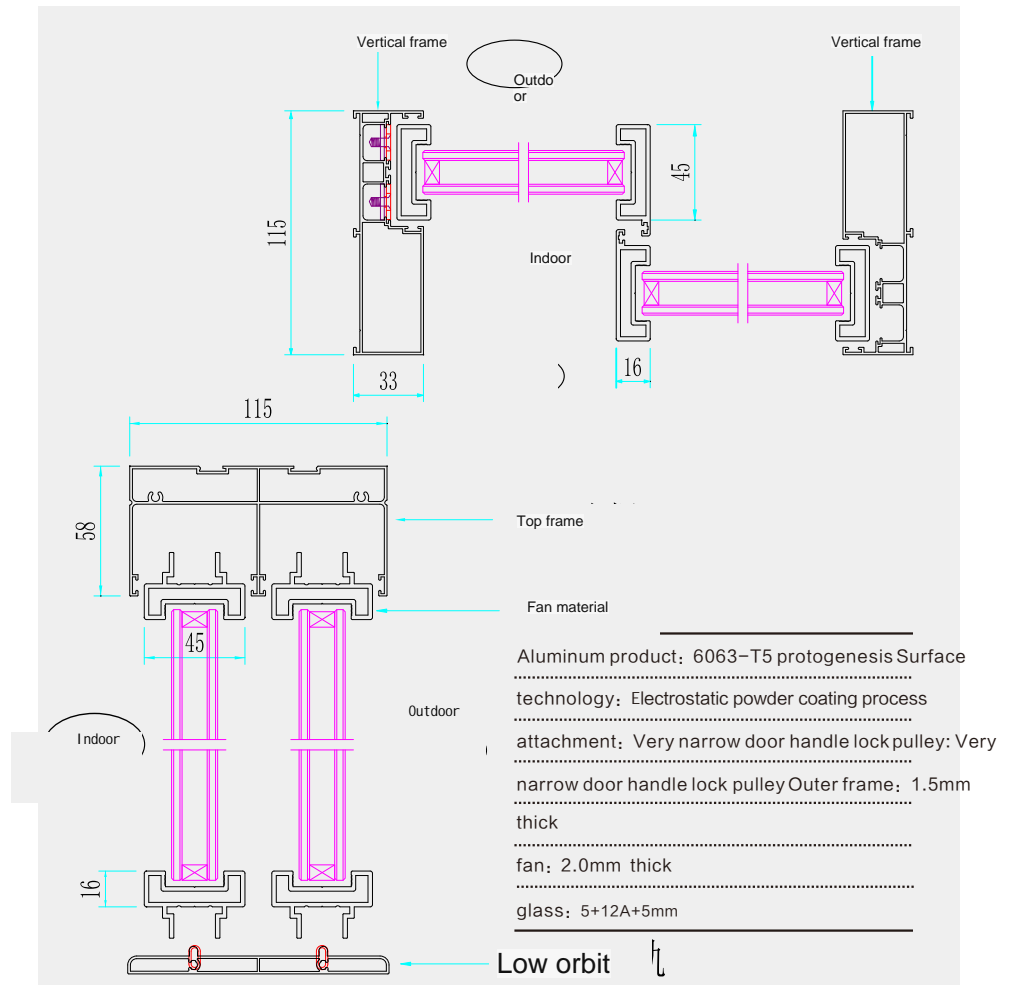
# 40-12

40-12 LIFT THE DOOR



# 45-16

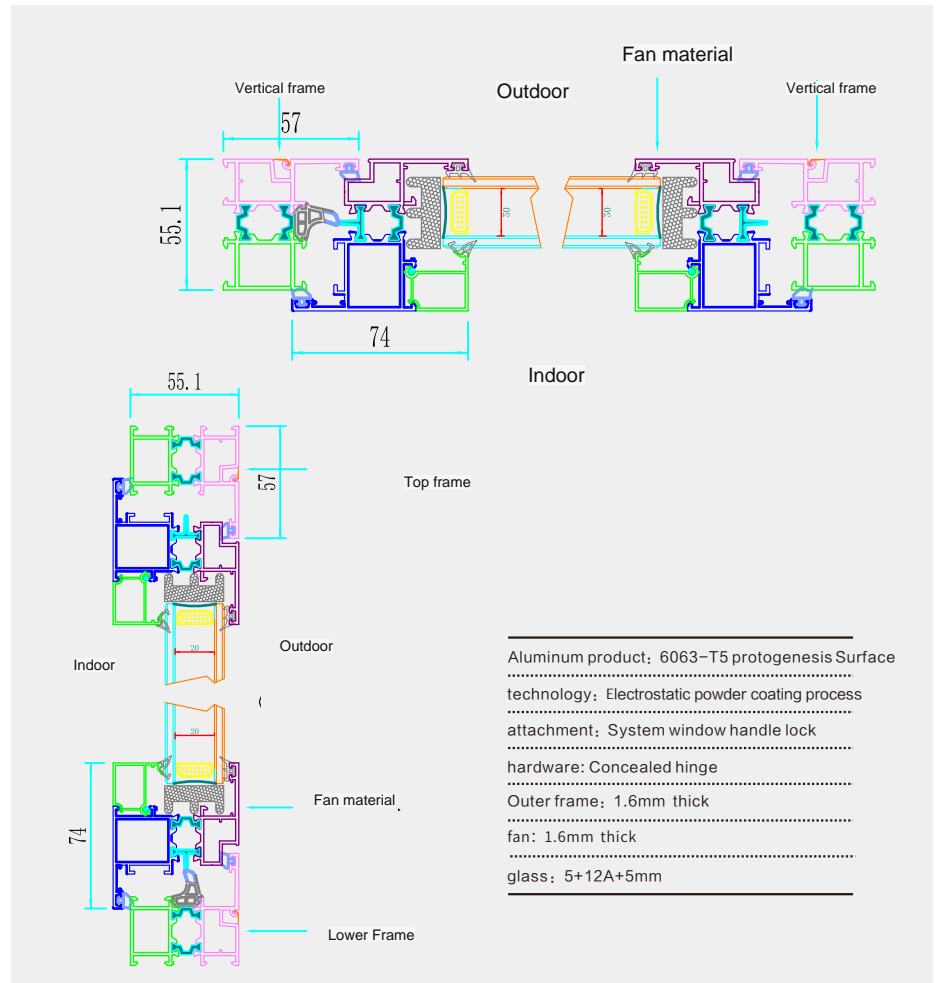
## 45-16SLIDING DOOR





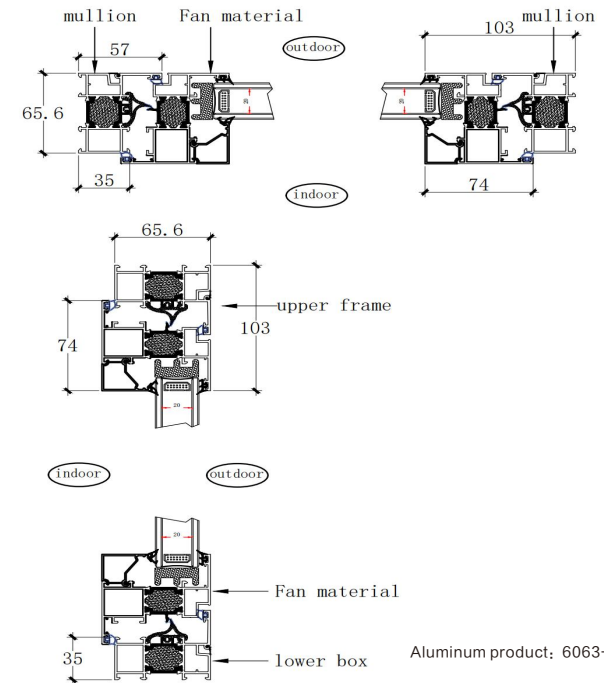
# 55

## 55 SYSTEM CASEMENT WINDOW



# 65

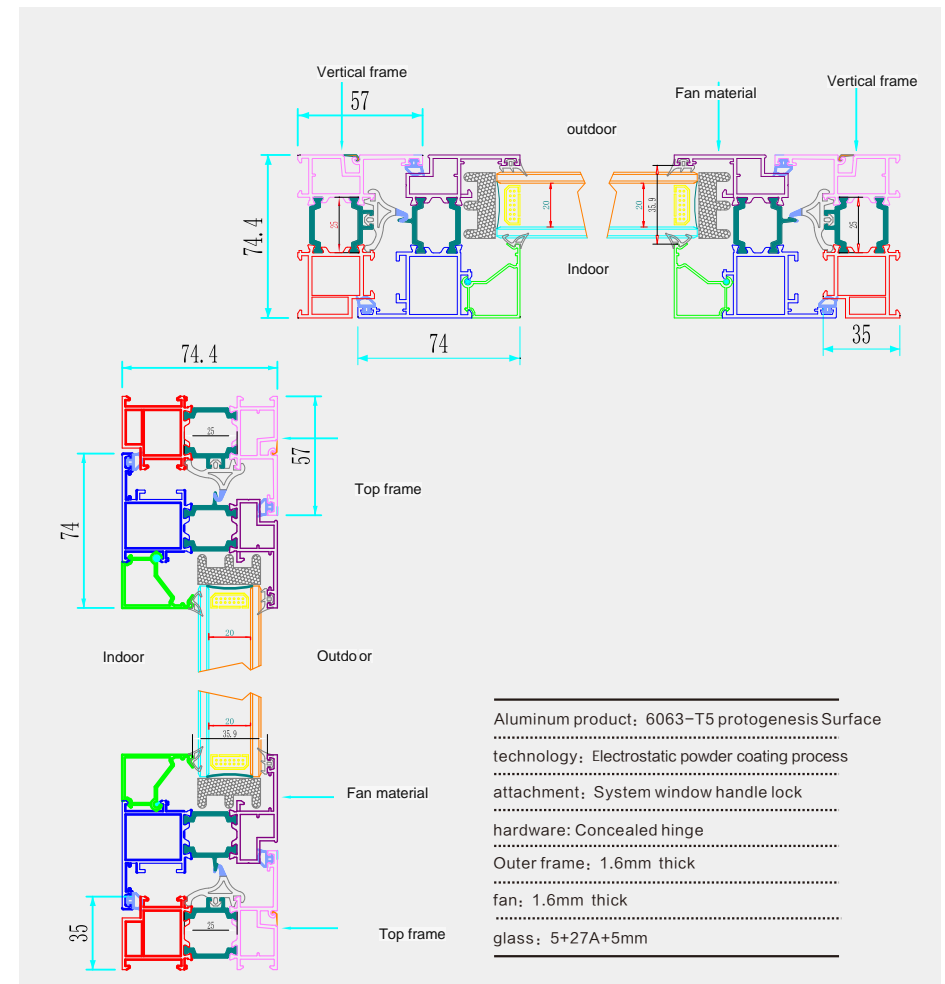
## 65 SYSTEM CASEMENT WINDOW



Aluminum product: 6063-T5 protogenesis Surface technology; Electrostatic powder coating process  
attachment: System window handle lock  
hardware: Concealed hinge  
Outer frame: 1.6mm thick  
fan: 1.6mm thick  
glass: 5+18A+5mm

# 75

## 75 SYSTEM CASEMENT WINDOW





Nanhai District, Foshan City, Guangdong Province

E-mail: [l-y-smc@139.com](mailto:l-y-smc@139.com)

F ax: +86-0757-81196198

[www.l-y-s.cn](http://www.l-y-s.cn)