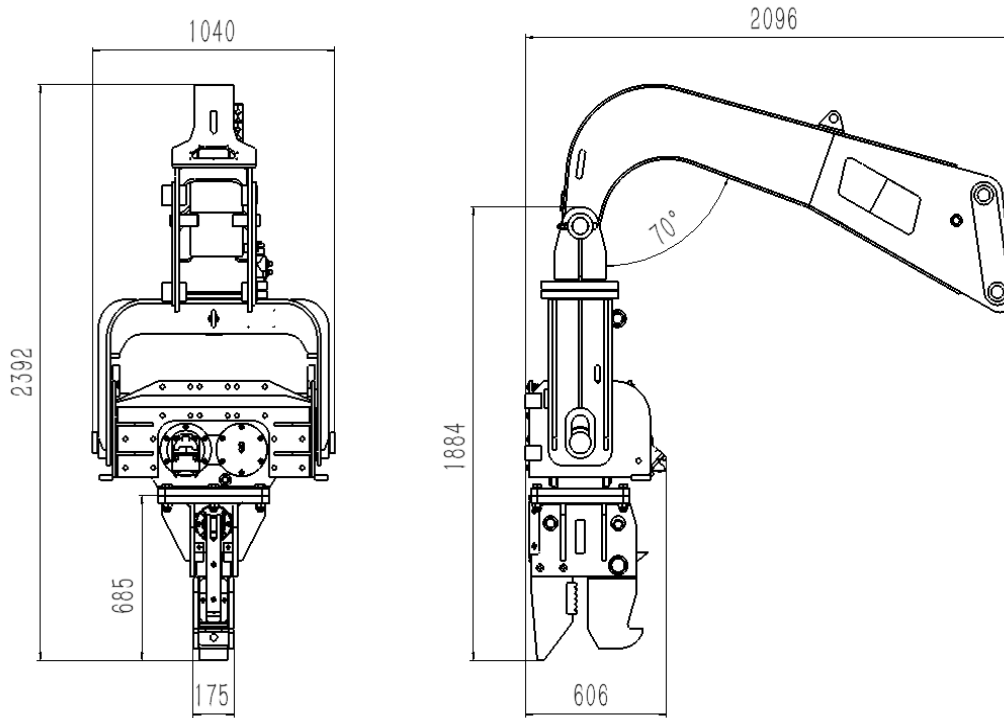


Specification



V150 SPECIFICATION

Eccentric Moment	Kgm	3.8
Max pressure	bar	320
Max. Centrifugal force	Kn	328
Frequency	Rpm	2800
Max oil flow	L/min	90
Weight (vibrator+clamp)	Kg	1100+300
L*W*H	mm	1040*606*1884
Vice arm (model/size/weight)	mm/kgs	A150/1995*437*700/330
Excavator Weight	T	10-15



NOTE!

! Preliminary selection. When making the final selection excavator engine size and hydraulic system design (oil pump arrangement, oil flow rate/pressure etc) as well as soil and site conditions shall be taken into account.

! Specifications are subject to change without notice.



E-Mail: sales@atvibro.com Web: www.atvibro.com

Add.: No168, Qinghong Road, Ehu Town, Xishan District, Wuxi City, Jiangsu Province, China

Construction pictures:



*application: available range of piles



V150 Application:



*V150 Designed to match the capabilities of middle excavators and to combine a robust structure with excellent pile handling characteristics.

* Fitted with clamps capable of driving a wide range of piles including sheet piles, H-piles, tubular steel piles and other pile sections.

