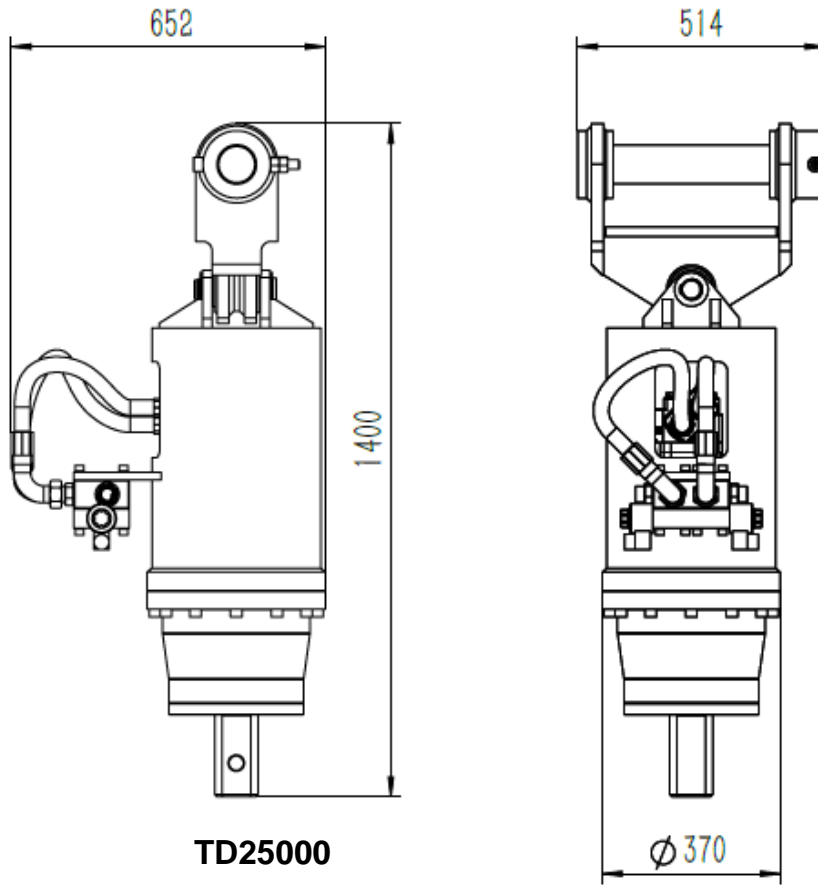


Auger Drill Specification

Model:TD10000~TD25000

Head



Auger



SPECIFICATION

Model	Unit	TD10000	TD15000	TD20000	TD25000
Applicable Excavator	ton	8~12	10~15	13~20	15~22
Max speed	rpm	55	44	35	28
Max Torque range	nm	10662	14598	18342	23208
Oil pressure range	bar	80-260	80-240	80-240	160-240
Oil flow range	l/m	70-150	80-170	80-170	80-170
Hose/Quick coupling	bsp	3/4"	1"	1"	1"
Output shaft Std	mm	75	90	90	90
Head weight	kg	162	297	297	297
Head weight	mm	883	1055	1055	1055
Head diameter	mm	290	370	370	370
Auger series		S6	S6	S6	S6
Auger length	m	1.75	1.75	1.75	1.75
Auger dia	mm	150-900	150-1200	150-1200	150-1200



NOTE! : Specifications are subject to change without notice.

