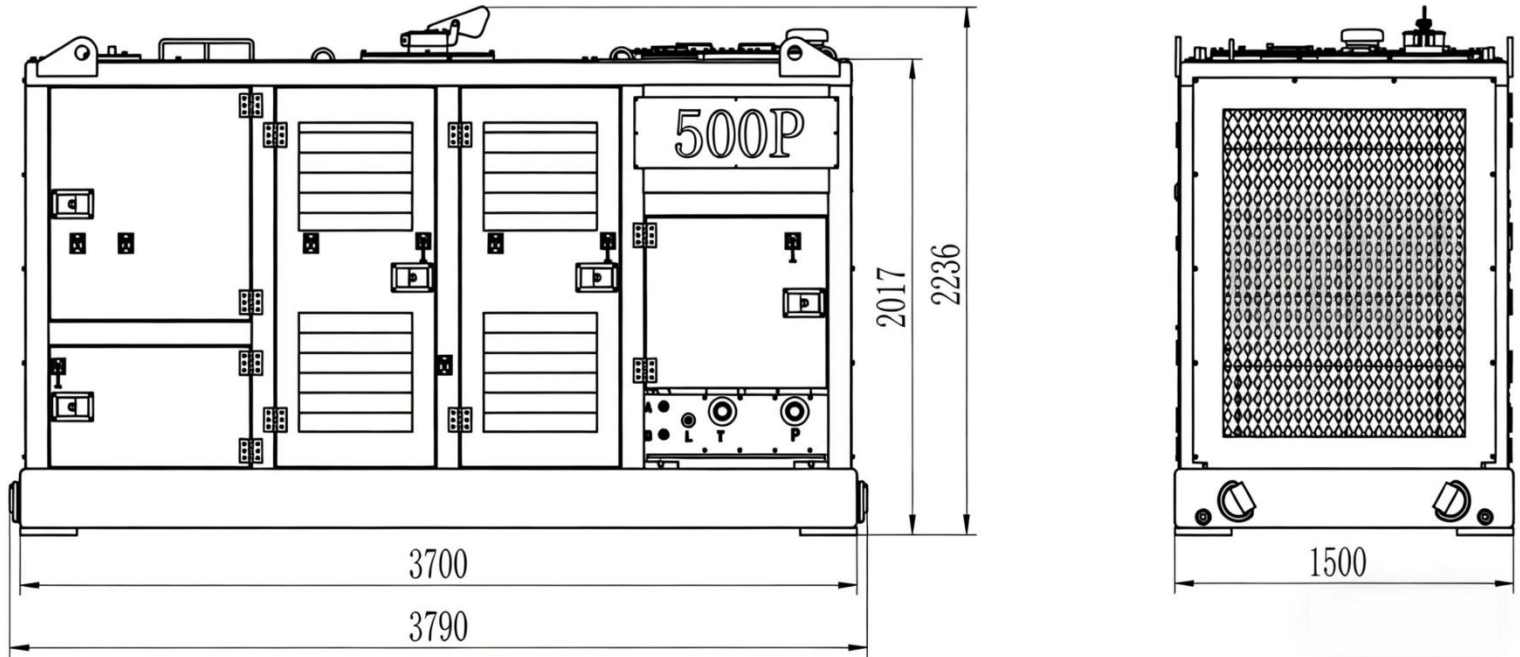

Specifications :
AT-20RF

Eccentric moment	0-20 kgm	Clamps:	
Max. centrifugal force	1164 kN	Sheet pile clamp	ATJ-160
Max. frequency	2300 rpm	Transport weight per piece	1300 kg
Max. amplitude excl. ATJ160	15.6 mm	Double clamps	ATJ-80DC
Max. amplitude incl. ATJ160	10.4 mm	Transport weight per piece	600 kg
Max. static line-pull	400 kN		
Max. operating pressure	350 bar	Powerpack:	
Max. oil flow	498 l/min	Model	500 series
Max. hydraulic power	290/395 kW/HP		
Dynamic weight excl. ATJ160	2550 kg	Hose set:	
Dynamic weight incl. ATJ160	3850 kg	Length	40 m
Total weight excl. ATJ160 & hoses	4000 kg		



Specifications:

500P

Engine Type	Cummins	
Max. Power	294/400	kW/HP
Max. frequency	1900	rpm
Max. oil flow	550	L/min
Diesel Tank Capacity	485	L
Oil Tank Capacity	1100	L
Working pressure	350	bar
Weight	5300	kg