

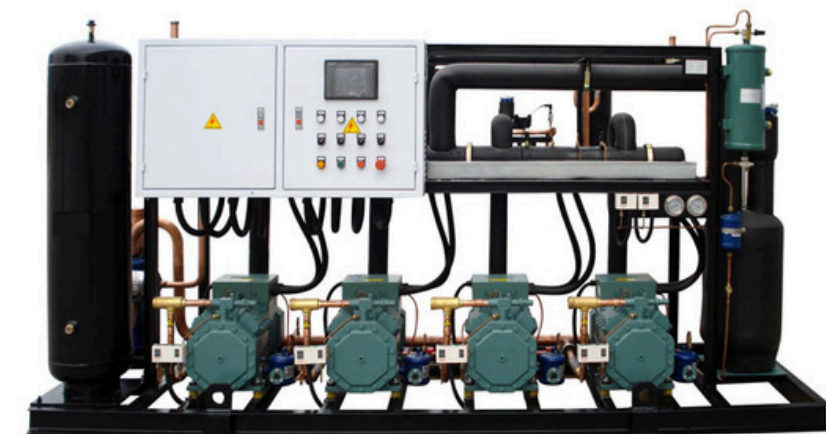
Compressor Rack with Bitzer screw Semi-hermetic compressors 比泽尔压缩机组

Compressor Rack with Bitzer screw Semi-hermetic compressors 比泽尔压缩机组

1 产品描述 Product Description

2 型号标识 Nomenclature

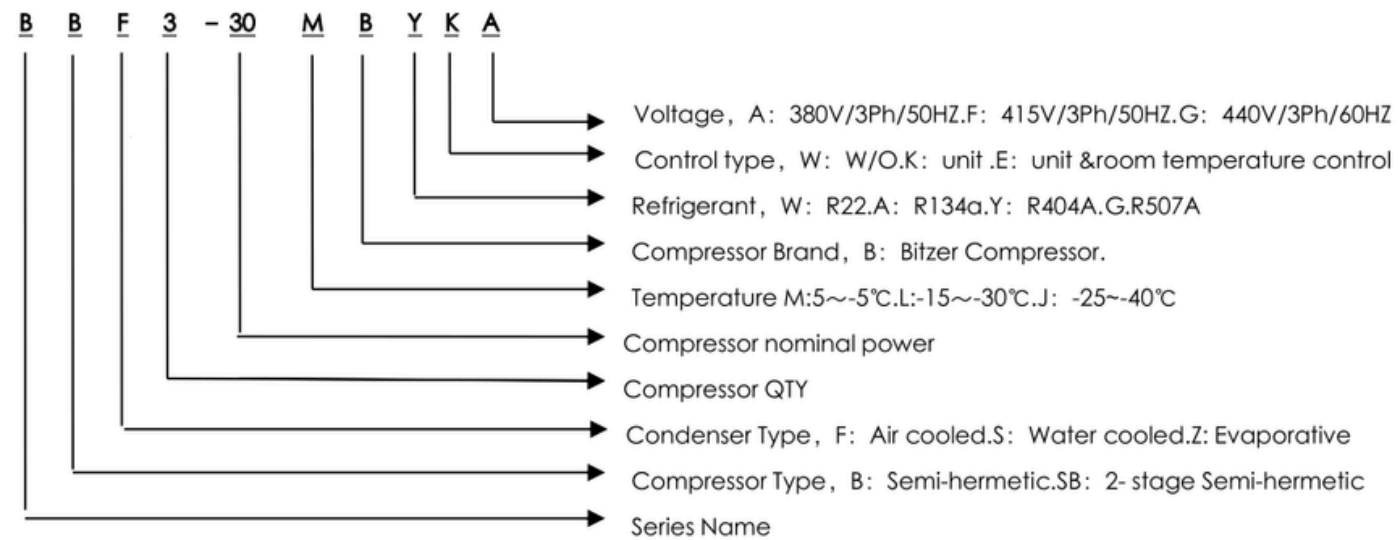
3 技术参数 technical data



产品描述 PRODUCT DESCRIPTION

- With Bitzer ECOLINE series semi-hermetic compressor, Good quality and high reliability.
- Multi compressors were parallel connected to provide bigger capacity sharing same discharge pipe, suction pipe, condenser, liquid receiver etc.
- Compact design for easy installation and small installation size.
- Multi stage energy adjustments according to cooling capacity to save operation cost.
- To minimize the impact of the machine fault on the operation, increase the reliability of unit operation.

型号标识 NOMENCLATURE



技术参数 TECHNICAL DATA

1. Medium Temp type air cooled 2 compressor racks

Model		BBF2-								
		20MBGKA	30MBGKA	40MBGKA	50MBGKA	60MBGKA	70MBGKA	80MBGKA	100MBGKA	
Room Temperature(°C)		5°C~-5°C								
Refrigerant		R507A								
Power		380V/3Ph/50HZ								
Compressor	Type	Semi-hermetic								
	Model	4VES-10Y	4PES-15Y	4NES-20Y	4HE-25Y	4GE-30Y	4FE-35Y	6GE-40Y	6FE-50Y	
	Qty	2	2	2	2	2	2	2	2	
Cap.&input (kw)	Te -5°C	Cap	40800	56200	67200	88600	101800	121600	148000	180200
		Input	16.02	22.34	26.64	35.18	40.6	50.6	60.6	75
	Te -10°C	Cap	32140	44200	53400	71000	81600	98200	118800	145200
		Input	14.64	20.34	24.4	32.38	37.42	46.6	56	69.2
	Te -15°C	Cap	25000	34280	41600	56000	64600	78400	94400	115400
		Input	13.16	18.18	22	29.4	33.98	42.4	51.2	63
Pipe	Gas In(mm)	φ42	φ54	φ54	φ67	φ67	φ76	φ76	φ76	
	Liquid outlet(mm)	φ22	φ22	φ28	φ28	φ28	φ35	φ35	φ35	
	Gas Connect	φ35	φ35	φ35	φ42	φ42	φ54	φ54	φ54	
	Liquid inlet	φ28	φ28	φ28	φ35	φ35	φ42	φ42	φ42	
Overall Size(L*W*H)(mm)		1950*1120*1700	2100*1120*1700	2100*1120*1700	2200*1120*1700	2200*1120*1700	2400*1120*1700	2400*1120*1700	2400*1120*1700	

2. Medium Temp.type air cooled 3 compressor racks

Model		BBF3-								
		30MBGKA	45MBGKA	60MBGKA	75MBGKA	90MBGKA	105MBGKA	120MBGKA	150MBGKA	
Room Temperature(°C)		5°C~-5°C								
Refrigerant		R507A								
Power		380V/3Ph/50HZ								
Compressor	Type	Semi-hermetic								
	Model	4VES-10Y	4PES-15Y	4NES-20Y	4HE-25Y	4GE-30Y	4FE-35Y	6GE-40Y	6FE-50Y	
	Qty	3	3	3	3	3	3	3	3	
Cap.&input (kw)	Te -5°C	Cap	61200	84300	100800	132900	152700	182400	222000	270300
		Input	24.03	33.51	39.96	52.77	60.9	75.9	90.9	112.5
	Te -10°C	Cap	48210	66300	80100	106500	122400	147300	178200	217800
		Input	21.96	30.51	36.6	48.57	56.13	69.9	84	103.8
	Te -15°C	Cap	37500	51420	62400	84000	96900	117600	141600	173100
		Input	19.74	27.27	33	44.1	50.97	63.6	76.8	94.5
	Pipe	Gas In(mm)	φ54	φ67	φ67	φ76	φ76	φ108	φ108	φ108
		Liquid outlet(mm)	φ22	φ28	φ28	φ35	φ35	φ42	φ42	φ42
Gas Connect		φ35	φ42	φ42	φ54	φ54	φ67	φ67	φ67	
Liquid inlet		φ28	φ35	φ35	φ42	φ42	φ54	φ54	φ54	
Overall Size(L*W*H)(mm)		2750*1120*1700	2750*1120*1700	2750*1120*1700	2850*1120*1850	2850*1120*1850	3150*1120*1850	3150*1120*1850	3200*1120*1850	

3. Medium Temp.type air cooled 4 compressor racks

Model		BBF4-						
		40MBGKA	60MBGKA	80MBGKA	100MBGKA	120MBGKA	140MBGKA	160MBGKA
Room Temperature(°C)		5°C~-5°C						
Refrigerant		R507A						
Power		380V/3Ph/50HZ						

Compressor	Type	Semi-hermetic								
	Model	4VES-10Y	4PES-15Y	4NES-20Y	4HE-25Y	4GE-30Y	4FE-35Y	6GE-40Y	6FE-50Y	
	Qty	4	4	4	4	4	4	4	4	
Cap.&input (kw)	Te -5°C	Cap	81600	112400	134400	177200	203600	243200	296000	360400
		Input	32.04	44.68	53.28	70.36	81.2	101.2	121.2	150
	Te -10°C	Cap	64280	88400	106800	142000	163200	196400	237600	290400
		Input	29.28	40.68	48.8	64.76	74.84	93.2	112	138.4
	Te -15°C	Cap	50000	68560	83200	112000	129200	156800	188800	230800
		Input	26.32	36.36	44	58.8	67.96	84.8	102.4	126
Pipe	Gas In(mm)	φ54	φ67	φ76	φ76	φ108	φ108	φ108	φ133	
	Liquid outlet(mm)	φ28	φ28	φ35	φ35	φ42	φ42	φ42	φ42	
	Gas Connect	φ42	φ54	φ54	φ54	φ67	φ67	φ67	φ79	
	Liquid inlet	φ35	φ35	φ42	φ42	φ54	φ54	φ54	φ54	
Overall Size(L*W*H)(mm)		3300*1120*1700	3300*1120*1700	3300*1120*1700	3500*1120*1850	3800*1120*1850	3800*1120*1850	3800*1120*1850	3800*1120*1850	

4. Low Temp Air cooled 2 compressor racks

Model		BBF2-						
		18LBGKA	28LBGKA	36LBGKA	46LBGKA	56LBGKA	68LBGKA	88LBGKA
Room Temperature(°C)		-15°C~-30°C						
Refrigerant		R507A						
Power		380V/3Ph/50HZ						
Compressor	Type	Semi-hermetic						
	Model	4TES-9Y	4NES-14Y	4HE-18Y	4GE-23Y	4FE-28Y	6GE-34Y	6FE-44Y
	Qty	2	2	2	2	2	2	2

Cap.&input (kw)	Te -25°C	Cap	17720	24060	34240	40400	48200	60800	72400
		Input	12.7	17.16	24	28.54	34.26	43.6	52.4
	Te -30°C	Cap	13020	17640	25620	30480	36500	46400	54800
		Input	10.76	14.48	20.7	24.66	29.56	37.9	45.4
	Te -35°C	Cap	9240	12520	18600	22420	26800	34380	40200
		Input	8.92	11.88	17.5	20.92	24.92	32.38	38.7
Te -40°C	Cap	6280	8480	12960	15960	18860	24680	28300	
	Input	7.22	9.44	14.46	17.42	20.44	27.12	32.14	
Pipe	Gas In(mm)		φ54	φ54	φ54	φ67	φ67	φ76	φ76
	Liquid outlet(mm)		φ22	φ22	φ22	φ22	φ28	φ28	φ28
	Gas Connect		φ35	φ35	φ35	φ42	φ42	φ54	φ54
	Liquid inlet		φ28	φ28	φ28	φ28	φ35	φ35	φ35
Overall Size(L*W*H)(mm)			2100*1120*1700	2100*1120*1700	2100*1120*1700	2200*1120*1700	2400*1120*1700	2400*1120*1700	2400*1120*1700

5.Low Temp Air cooled 3 compressor racks

Model	BBF3-								
	27LBGKA	42LBGKA	54LBGKA	69LBGKA	84LBGKA	102LBGKA	132LBGKA		
Room Temperature(°C)		-15°C~-30°C							
Refrigerant		R507A							
Power		380V/3Ph/50HZ							
Compressor	Type	Semi-hermetic							
	Model	4TES-9Y	4NES-14Y	4HE-18Y	4GE-23Y	4FE-28Y	6GE-34Y	6FE-44Y	
	Qty	3	3	3	3	3	3	3	
Cap.&input (kw)	Te -25°C	Cap	26580	36090	51360	60600	72300	91200	108600
		Input	19.05	25.74	36	42.81	51.39	65.4	78.6
	Te -30°C	Cap	19530	26460	38430	45720	54750	69600	82200
		Input	16.14	21.72	31.05	36.99	44.34	56.85	68.1

Cap.&input (kw)	Te -35°C	Cap	13860	18780	27900	33630	40200	51570	60300
		Input	13.38	17.82	26.25	31.38	37.38	48.57	58.05
	Te -40°C	Cap	9420	12720	19440	23940	28290	37020	42450
		Input	10.83	14.16	21.69	26.13	30.66	40.68	48.21
Pipe	Gas In(mm)		φ54	φ54	φ67	φ76	φ76	φ108	φ108
	Liquid outlet(mm)		φ22	φ22	φ28	φ28	φ28	φ35	φ35
	Gas Connect		φ42	φ42	φ42	φ42	φ54	φ54	φ67
	Liquid inlet		φ28	φ28	φ35	φ35	φ35	φ42	42
Overall Size(L*W*H)(mm)			2750*1120*1700	2750*1120*1700	2750*1120*1700	2850*1120*1700	3150*1120*1850	3150*1120*1850	3150*1120*1850

6.Low Temp Air cooled 4 compressor racks

Model	BBF4-								
	36LBGKA	56LBGKA	72LBGKA	92LBGKA	112LBGKA	136LBGKA	176LBGKA		
Room Temperature(°C)		-15°C~-30°C							
Refrigerant		R507A							
Power		380V/3Ph/50HZ							
Compressor	Type	Semi-hermetic							
	Model	4TES-9Y	4NES-14Y	4HE-18Y	4GE-23Y	4FE-28Y	6GE-34Y	6FE-44Y	
	Qty	4	4	4	4	4	4	4	
Cap.&input (kw)	Te -25°C	Cap	35440	48120	68480	80800	96400	121600	144800
		Input	25.4	34.32	48	57.08	68.52	87.2	104.8
	Te -30°C	Cap	26040	35280	51240	60960	73000	92800	109600
		Input	21.52	28.96	41.4	49.32	59.12	75.8	90.8
	Te -35°C	Cap	18480	25040	37200	44840	53600	68760	80400
		Input	17.84	23.76	35	41.84	49.84	64.76	77.4
Te -40°C	Cap	12560	16960	25920	31920	37720	49360	56600	
	Input	14.44	18.88	28.92	34.84	40.88	54.24	64.28	

Pipe	Gas In(mm)	φ54	φ54	φ67	φ76	φ108	φ108	φ108
	Liquid outlet(mm)	φ22	φ22	φ28	φ28	φ35	φ35	φ35
	Gas Connect	φ42	φ42	φ54	φ54	φ54	φ67	φ67
	Liquid inlet	φ28	φ28	φ35	φ35	φ42	φ42	φ42
Overall Size(L*W*H)(mm)	3300*1120*1700	3300*1120*1700	3500*1120*1700	3500*1120*1700	3800*1120*1850	3800*1120*1850	3800*1120*1850	3800*1120*1850

7. Medium Temp.type evaporative cooled 2 compressor racks

Model		BBZ2-								
		20MBGKA	30MBGKA	40MBGKA	50MBGKA	60MBGKA	70MBGKA	80MBGKA	100MBGKA	
Room Temperature(°C)		5°C~-5°C								
Refrigerant		R507A								
Power		380V/3Ph/50HZ								
Compressor	Type	Semi-hermetic								
	Model	4VES-10Y	4PES-15Y	4NES-20Y	4HE-25Y	4GE-30Y	4FE-35Y	6GE-40Y	6FE-50Y	
	Qty	2	2	2	2	2	2	2	2	
Cap.&input (kw)	Te -5°C	Cap	50400	69800	83000	108600	124600	148600	181200	220800
		Input	14.34	20.02	23.66	31.32	36.32	45	54	67.2
	Te -10°C	Cap	40400	55800	66600	87800	101000	121000	147000	179400
		Input	13.36	18.58	22.08	29.32	33.94	42	50.6	63
	Te -15°C	Cap	31880	44000	52800	70200	80800	97400	118000	144200
		Input	12.22	16.94	20.24	27.06	31.3	38.86	46.8	58.2
Pipe	Gas In(mm)	φ42	φ54	φ54	φ67	φ67	φ76	φ76	φ76	
	Liquid outlet(mm)	φ22	φ22	φ28	φ28	φ28	φ35	φ35	φ35	
	Gas Connect	φ35	φ35	φ35	φ42	φ42	φ54	φ54	φ54	
	Liquid inlet	φ28	φ28	φ28	φ35	φ35	φ42	φ42	φ42	
Overall Size(L*W*H)(mm)	1950*1120*1700	2100*1120*1700	2100*1120*1700	2200*1120*1700	2200*1120*1700	2400*1120*1700	2400*1120*1700	2400*1120*1700	2400*1120*1700	

Model		BBZ3-								
		30MBGKA	45MBGKA	60MBGKA	75MBGKA	90MBGKA	105MBGKA	120MBGKA	150MBGKA	
Room Temperature(°C)		5°C~-5°C								
Refrigerant		R507A								
Power		380V/3Ph/50HZ								
Compressor	Type	Semi-hermetic								
	Model	4VES-10Y	4PES-15Y	4NES-20Y	4HE-25Y	4GE-30Y	4FE-35Y	6GE-40Y	6FE-50Y	
	Qty	3	3	3	3	3	3	3	3	
Cap.&input (kw)	Te -5°C	Cap	75600	104700	124500	162900	186900	222900	271800	331200
		Input	21.51	30.03	35.49	46.98	54.48	67.5	81	100.8
	Te -10°C	Cap	60600	83700	99900	131700	151500	181500	220500	269100
		Input	20.04	27.87	33.12	43.98	50.91	63	75.9	94.5
	Te -15°C	Cap	47820	66000	79200	105300	121200	146100	177000	216300
		Input	18.33	25.41	30.36	40.59	46.95	58.29	70.2	87.3
Pipe	Gas In(mm)	φ54	φ67	φ67	φ76	φ76	φ108	φ108	φ108	
	Liquid outlet(mm)	φ22	φ28	φ28	φ35	φ35	φ42	φ42	φ42	
	Gas Connect	φ35	φ42	φ42	φ54	φ54	φ67	φ67	φ67	
	Liquid inlet	φ28	φ35	φ35	φ42	φ42	φ54	φ54	φ54	
Overall Size(L*W*H)(mm)	2750*1120*1700	2750*1120*1700	2750*1120*1700	2850*1120*1850	2850*1120*1850	3150*1120*1850	3150*1120*1850	3200*1120*1850	3200*1120*1850	

8. Medium Temp. type evaporative cooled 4 compressor racks

Model	BBZ4-									
	40MBGKA	60MBGKA	80MBGKA	100MBGKA	120MBGKA A	140MBGKA	160MBGKA	200MBGKA		
Room Temperature(°C)	5°C~-5°C									
Refrigerant	R507A									
Power	380V/3Ph/50HZ									
Compressor	Type	Semi-hermetic								
	Model	4VES-10Y	4PES-15Y	4NES-20Y	4HE-25Y	4GE-30Y	4FE-35Y	6GE-40Y	6FE-50Y	
	Qty	4	4	4	4	4	4	4	4	
Cap.&input (kw)	Te -5°C	Cap	100800	139600	166000	217200	249200	297200	362400	441600
		Input	28.68	40.04	47.32	62.64	72.64	90	108	134.4
	Te -10°C	Cap	80800	111600	133200	175600	202000	242000	294000	358800
		Input	26.72	37.16	44.16	58.64	67.88	84	101.2	126
	Te -15°C	Cap	63760	88000	105600	140400	161600	194800	236000	288400
		Input	24.44	33.88	40.48	54.12	62.6	77.72	93.6	116.4
Pipe	Gas In(mm)	φ54	φ67	φ76	φ76	φ108	φ108	φ108	φ133	
	Liquid outlet(mm)	φ28	φ28	φ35	φ35	φ42	φ42	φ42	φ42	
	Gas Connect	φ42	φ54	φ54	φ54	φ67	φ67	φ67	φ79	
	Liquid inlet	φ35	φ35	φ42	φ42	φ54	φ54	φ54	φ54	
Overall Size(L*W*H)(mm)	3300*1120*1700	3300*1120*1700	3300*1120*1700	3500*1120*1850	3800*1120*1850	3800*1120*1850	3800*1120*1850	3800*1120*1850	3800*1120*1850	

Compressor	Type	Semi-hermetic							
	Model	4TES-9Y	4NES-14Y	4HE-18Y	4GE-23Y	4FE-28Y	6GE-34Y	6FE-44Y	
	Qty	2	2	2	2	2	2	2	
Cap.&input (kw)	Te -25°C	Cap	23300	31680	44200	51600	61400	77200	92200
		Input	12.06	16.5	22.72	26.82	32.32	40.4	49.6
	Te -30°C	Cap	17540	23.88	33800	39720	47400	59800	71200
		Input	10.4	14.28	19.96	23.56	28.4	35.74	43.8
	Te -35°C	Cap	12860	17540	25220	29880	35780	45400	53600
		Input	8.8	12.08	17.22	20.32	24.46	31.06	38.04
Pipe	Gas In(mm)	φ54	φ54	φ54	φ67	φ67	φ76	φ76	
	Liquid outlet(mm)	φ22	φ22	φ22	φ22	φ28	φ28	φ28	
	Gas Connect	φ35	φ35	φ35	φ42	φ42	φ54	φ54	
	Liquid inlet	φ28	φ28	φ28	φ28	φ35	φ35	φ35	
Overall Size(L*W*H)(mm)	2100*1120*1700	2100*1120*1700	2100*1120*1700	2200*1120*1700	2400*1120*1700	2400*1120*1700	2400*1120*1700	2400*1120*1700	

9. Low Temp. type evaporative cooled 2 compressor racks

Model	BBZ2-						
	18LBGKA	28LBGKA	36LBGKA	46LBGKA	56LBGKA	68LBGKA	88LBGKA
Room Temperature(°C)	-15°C~-30°C						
Refrigerant	R507A						
Power	380V/3Ph/50HZ						

10.Low Temp.type evaporative cooled cooled 3 compressor racks

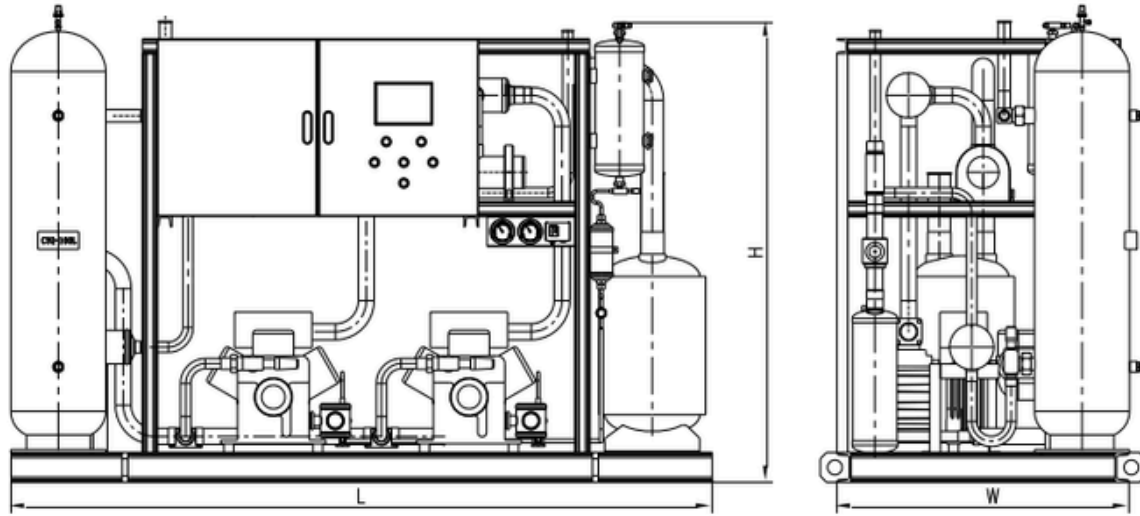
Model		BBZ3-							
		27LBGKA	42LBGKA	54LBGKA	69LBGKA	84LBGKA	102LBGKA	132LBGKA	
Room Temperature(°C)		-15°C~-30°C							
Refrigerant		R507A							
Power		380V/3Ph/50HZ							
Compressor	Type	Semi-hermetic							
	Model	4TES-9Y	4NES-14Y	4HE-18Y	4GE-23Y	4FE-28Y	6GE-34Y	6FE-44Y	
	Qty	3	3	3	3	3	3	3	
Cap.&input (kw)	Te -25°C	Cap	34950	47520	66300	77400	92100	115800	138300
		Input	18.09	24.75	34.08	40.23	48.48	60.6	74.4
	Te -30°C	Cap	26310	35820	50700	59580	71100	89700	106800
		Input	15.6	21.42	29.94	35.34	42.6	53.61	65.7
	Te -35°C	Cap	19290	26310	37830	44820	53670	68100	80400
		Input	13.2	18.12	25.83	30.48	36.69	46.59	57.06
	Te -40°C	Cap	13680	18690	27300	32760	39270	50310	58920
		Input	10.92	14.91	21.81	25.8	30.9	39.78	48.54
Pipe	Gas In(mm)	φ54	φ54	φ67	φ76	φ76	φ108	φ108	
	Liquid outlet(mm)	φ22	φ22	φ28	φ28	φ28	φ35	φ35	
	Gas Connect	φ42	φ42	φ42	φ42	φ54	φ54	φ67	
	Liquid inlet	φ28	φ28	φ35	φ35	φ35	φ42	φ42	
Overall Size(L*W*H)(mm)		2750*1120*1700	2750*1120*1700	2750*1120*1700	2850*1120*1700	3150*1120*1850	3150*1120*1850	3150*1120*1850	

11.Low Temp.type evaporative cooled cooled 4 compressor racks

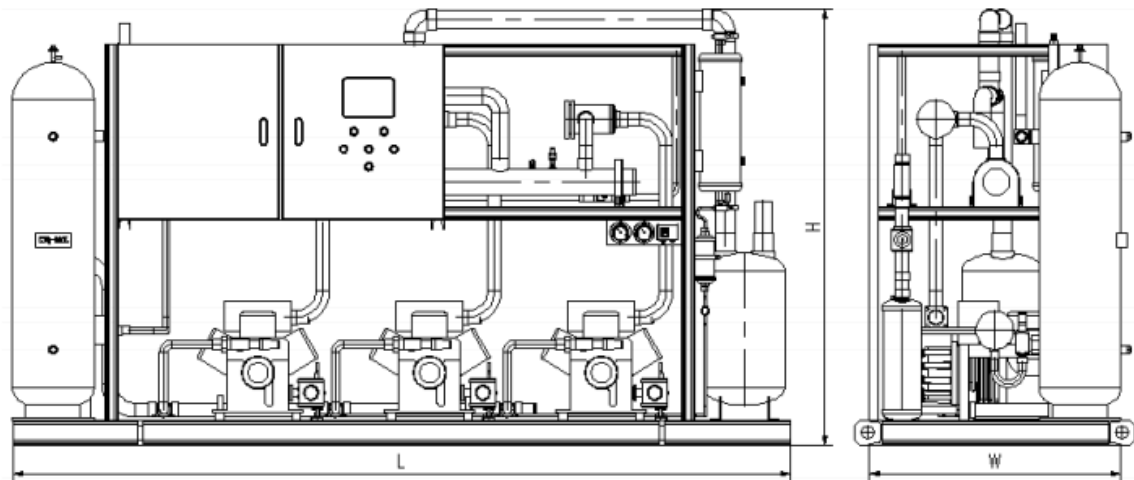
Model		BBZ4-							
		36LBGKA	56LBGKA	72LBGKA	92LBGKA	112LBGKA	136LBGKA	176LBGKA	
Room Temperature(°C)		-15°C~-30°C							
Refrigerant		R507A							
Power		380V/3Ph/50HZ							
Compressor	Type	Semi-hermetic							
	Model	4TES-9Y	4NES-14Y	4HE-18Y	4GE-23Y	4FE-28Y	6GE-34Y	6FE-44Y	
	Qty	4	4	4	4	4	4	4	
Cap.&input (kw)	Te -25°C	Cap	46600	63360	88400	103200	122800	154400	184400
		Input	24.12	33	45.44	53.64	64.64	80.8	99.2
	Te -30°C	Cap	35080	47760	67600	79440	94800	119600	142400
		Input	20.8	28.56	39.92	47.12	56.8	71.48	87.6
	Te -35°C	Cap	25720	35080	50440	59760	71560	90800	107200
		Input	17.6	24.16	34.44	40.64	48.92	62.12	76.08
	Te -40°C	Cap	18240	24920	36400	43680	52360	67080	78560
		Input	14.56	19.88	29.08	34.4	41.2	53.04	64.72
Pipe	Gas In(mm)	φ54	φ54	φ67	φ76	φ108	φ108	φ108	
	Liquid outlet(mm)	φ22	φ22	φ28	φ28	φ35	φ35	φ35	
	Gas Connect	φ42	φ42	φ54	φ54	φ54	φ67	φ67	
	Liquid inlet	φ28	φ28	φ35	φ35	φ42	φ42	φ42	
Overall Size(L*W*H)(mm)		3300*1120*1700	3300*1120*1700	3500*1120*1700	3500*1120*1700	3800*1120*1850	3800*1120*1850	3800*1120*1850	

Air cooled/ evaporative cooled compressor racks Diagrams for overall sizes

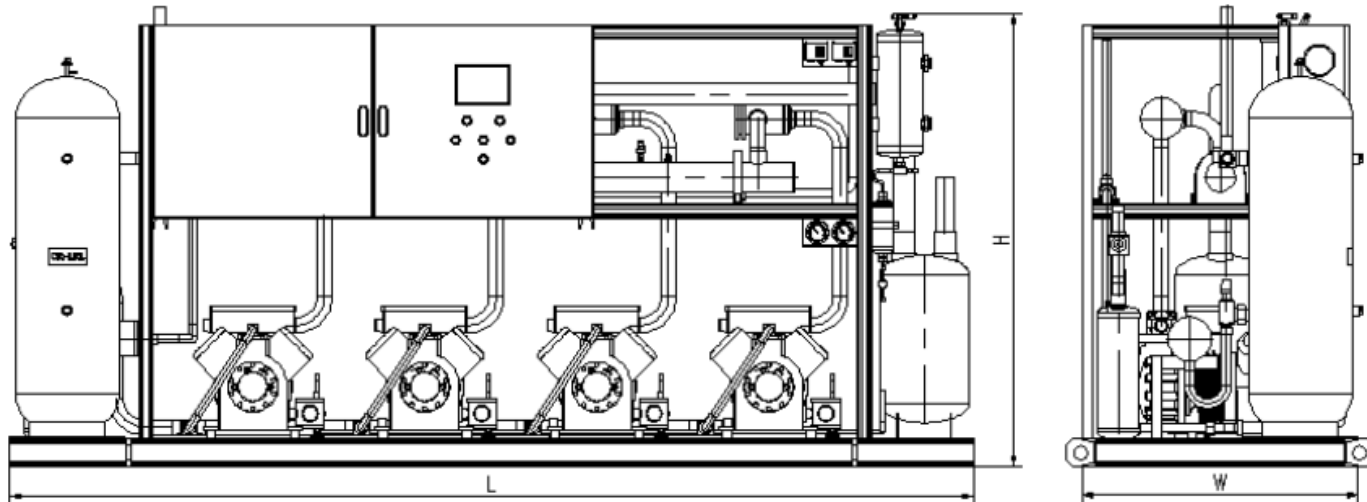
2 compressor racks



3 compressor racks



4 compressor racks



12. Medium Temp. Type water cooled cooled 2 compressor racks

Model		BBS2-								
		20MBGKA	30MBGKA	40MBGKA	50MBGKA	60MBGKA	70MBGKA	80MBGKA	100MBGKA	
Room Temperature(°C)		5°C~5°C								
Refrigerant		R507A								
Power		380V/3Ph/50HZ								
Compressor	Type	Semi-hermetic								
	Model	4VES-10Y	4PES-15Y	4NES-20Y	4HE-25Y	4GE-30Y	4FE-35Y	6GE-40Y	6FE-50Y	
	Qty	2	2	2	2	2	2	2	2	
Comp	Type	High Efficient Pipe and Shell								
	Cooling water(m³/h)	13	18	20.6	28	32	38	48	58	
	Connection size	2-1/2"	2-1/2"	2-1/2"	2-1/2"	3"	3"	3"	4"	
Cap.&input (kw)	Te -5°C	Cap	45600	63000	75000	98800	113400	135200	164800	200800
		Input	15.22	21.24	25.2	33.36	38.6	48	57.4	71.4
	Te -10°C	Cap	36240	50000	59800	79400	91400	109600	133000	162400
		Input	14.02	19.52	23.28	30.94	35.78	44.6	53.4	66.4
	Te -15°C	Cap	28420	39080	47200	63200	72800	87800	106200	129800
		Input	12.72	17.6	21.16	28.32	32.74	40.8	49.2	60.8
Pipe	Gas In(mm)	φ42	φ54	φ54	φ67	φ67	φ76	φ76	φ76	
	Liquid outlet(mm)	φ22	φ22	φ28	φ28	φ28	φ35	φ35	φ35	
Overall Size(L*W*H)(mm)		2100*1070 *1700	2100*1070 *1700	2100*1070 *1700	2300*1120 *1750	2300*1120 *1750	2600*1170 *1750	2600*1220 *1750	2600*1220 *1750	

13. Medium Temp. Type water cooled cooled 3 compressor racks

Model		BBS3-								
		30MBGKA	45MBGKA	60MBGKA	75MBGKA	90MBGKA	105MBGKA	120MBGKA	150MBGKA	
Room Temperature(°C)		5°C~-5°C								
Refrigerant		R507A								
Power		380V/3Ph/50HZ								
Compressor	Type	Semi-hermetic								
	Model	4VES-10Y	4PES-15Y	4NES-20Y	4HE-25Y	4GE-30Y	4FE-35Y	6GE-40Y	6FE-50Y	
	Qty	3	3	3	3	3	3	3	3	
Comp	Type	High Efficient Pipe and Shell								
	Cooling water(m³/h)	20	26	31	42	50	57	71	86	
	Connection size	2-1/2"	2-1/2"	3"	3"	3"	4"	5"	5"	
Cap.&i nput (kw)	Te -5°C	Cap	68400	94500	112500	148200	170100	202800	247200	301200
		Input	22.83	31.86	37.8	50.04	57.9	72	86.1	107.1
	Te -10°C	Cap	54360	75000	89700	119100	137100	164400	199500	243600
		Input	21.03	29.28	34.92	46.41	53.67	66.9	80.1	99.6
	Te -15°C	Cap	42630	58620	70800	94800	109200	131700	159300	194700
		Input	19.08	26.4	31.74	42.48	49.11	61.2	73.8	91.2
Pipe	Gas In(mm)	φ54	φ67	φ67	φ76	φ76	φ108	φ108	φ108	
	Liquid outlet(mm)	φ22	φ28	φ28	φ35	φ35	φ42	φ42	φ42	
Overall Size(L*W*H)(mm)		2550*1070*1750	2550*1120*1750	2550*1120*1750	2800*1220*1750	2800*1220*1750	2800*1270*1850	3050*1320*1850	3050*1320*1850	

14. Medium Temp. Type water cooled cooled 4 compressor racks

Model		BBS4-						
		40MBGKA	60MBGKA	80MBGKA	100MBGKA	120MBGKA	140MBGKA	160MBGKA
Room Temperature(°C)		5°C~-5°C						
Refrigerant		R507A						
Power		380V/3Ph/50HZ						

Compressor	Type	Semi-hermetic								
	Model	4VES-10Y	4PES-15Y	4NES-20Y	4HE-25Y	4GE-30Y	4FE-35Y	6GE-40Y	6FE-50Y	
	Qty	4	4	4	4	4	4	4	4	
Comp	Type	High Efficient Pipe and Shell								
	Cooling water(m³/h)	26	35	41	55	65	76	95	115	
	Connection size	2-1/2"	3"	3"	4"	4"	5"	5"	5"	
Cap.&i nput (kw)	Te -5°C	Cap	91200	126000	150000	197600	226800	270400	329600	401600
		Input	30.44	42.48	50.4	66.72	77.2	96	114.8	142.8
	Te -10°C	Cap	72480	100000	119600	158800	182800	219200	266000	324800
		Input	28.04	39.04	46.56	61.88	71.56	89.2	106.8	132.8
	Te -15°C	Cap	56840	78160	94400	126400	145600	175600	212400	259600
		Input	25.44	35.2	42.32	56.64	65.48	81.6	98.4	121.6
Pipe	Gas In(mm)	φ54	φ67	φ76	φ76	φ108	φ108	φ108	φ133	
	Liquid outlet(mm)	φ28	φ28	φ35	φ35	φ42	φ42	φ42	φ42	
Overall Size(L*W*H)(mm)		3050*1070*1700	3050*1070*1700	3500*1220*2050	3500*1220*2050	3800*1270*2050	3800*1270*2050	3800*1270*2050	3800*1270*2050	

15. Low Temp. Type water cooled cooled 2 compressor racks

Model		BBS2-						
		18LBGKA	28LBGKA	36LBGKA	46LBGKA	56LBGKA	68LBGKA	88LBGKA
Room Temperature(°C)		-15°C~-30°C						
Refrigerant		R507A						
Power		380V/3Ph/50HZ						
Compressor	Type	Semi-hermetic						
	Model	4TES-9Y	4NES-14Y	4HE-18Y	4GE-23Y	4FE-28Y	6GE-34Y	6FE-44Y
	Qty	2	2	2	2	2	2	2

Comp	Type		High Efficient Pipe and Shell							
	Cooling water(m ³ /h)		7.5	10	14	16	20	25	29	
	Connection size		2-1/2"	2-1/2"	2-1/2"	2-1/2"	2-1/2"	2-1/2"	3"	
Cap.&input (kw)	Te -25°C	Cap	20480	27860	39200	46000	54800	69000	82400	
		Input	12.4	16.9	23.44	27.76	33.4	42.2	51	
	Te -30°C	Cap	15240	20740	29680	35080	42000	53000	63000	
		Input	10.6	14.46	20.4	24.18	29.08	36.92	44.8	
	Te -35°C	Cap	11020	15000	21860	26120	31260	39880	46800	
		Input	8.88	12.06	17.42	20.68	24.8	31.82	38.52	
	Te -40°C	Cap	7640	10420	15520	18840	22480	29060	33720	
		Input	7.26	9.76	14.56	17.36	20.62	26.92	32.38	
	Pipe	Gas In(mm)		φ54	φ54	φ54	φ67	φ67	φ76	φ76
		Liquid outlet(mm)		φ22	φ22	φ22	φ28	φ28	φ28	φ28
	Overall Size(L*W*H)(mm)			2050*1070*1700	2050*1070*1700	2150*1120*1750	2150*1120*1750	2300*1170*1750	2300*1220*1750	2300*1220*1750

Cap.&input (kw)	Te -25°C	Cap	30720	41790	58800	69000	82200	103500	123600	
		Input	18.6	25.35	35.16	41.64	50.1	63.3	76.5	
	Te -30°C	Cap	22860	31110	44520	52620	63000	79500	94500	
		Input	15.9	21.69	30.6	36.27	43.62	55.38	67.2	
	Te -35°C	Cap	16530	22500	32790	39180	46890	59820	70200	
		Input	13.32	18.09	26.13	31.02	37.2	47.73	57.78	
	Te -40°C	Cap	11460	15630	23280	28260	33720	43590	50580	
		Input	10.89	14.64	21.84	26.04	30.93	40.38	48.57	
	Pipe	Gas In(mm)		φ54	φ54	φ67	φ76	φ76	φ108	φ108
		Liquid outlet(mm)		φ22	φ22	φ28	φ28	φ28	φ35	φ35
	Overall Size(L*W*H)(mm)			2550*1070*1750	2550*1120*1750	2800*1120*1750	2800*1120*1750	2800*1270*1850	3050*1270*1850	3050*1270*1850

16.Low Temp.Type water cooled cooled 3 compressor racks

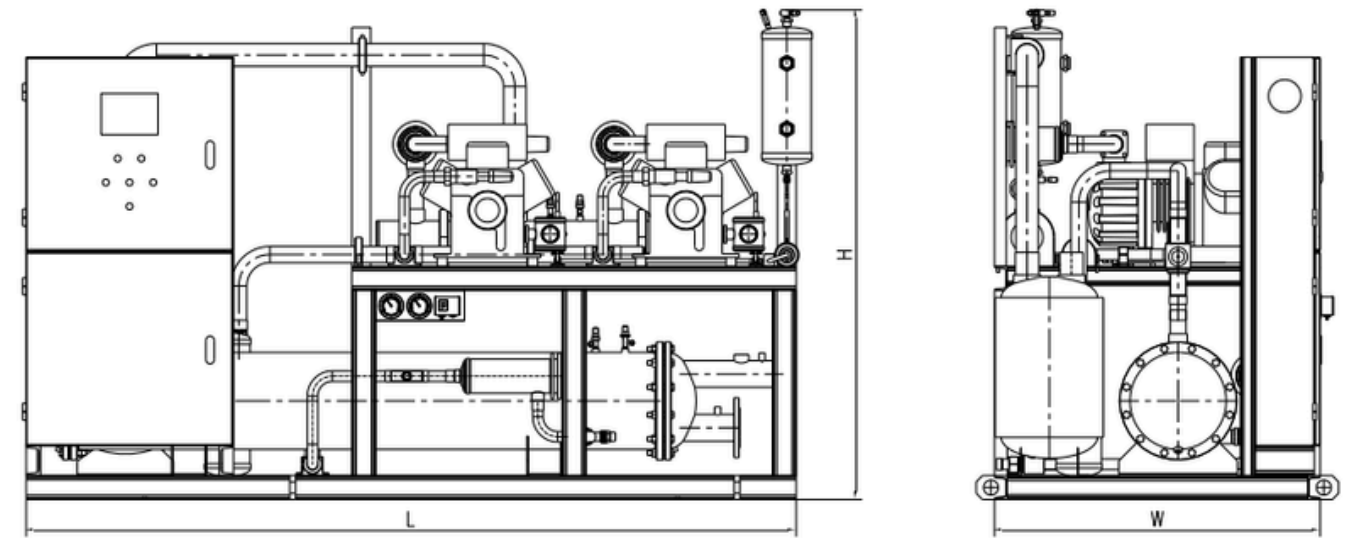
Model	BBS3-								
	27LBGKA	42LBGKA	54LBGKA	69LBGKA	84LBGKA	102LBGKA	132LBGKA		
Room Temperature(°C)		-15°C~-30°C							
Refrigerant		R507A							
Power		380V/3Ph/50HZ							
Compressor	Type		Semi-hermetic						
	Model		4TES-9Y	4NES-14Y	4HE-18Y	4GE-23Y	4FE-28Y	6GE-34Y	6FE-44Y
	Qty		3	3	3	3	3	3	3
Comp	Type		High Efficient Pipe and Shell						
	Cooling water(m ³ /h)		11	15	21	24	29	36	43.5
	Connection size		2-1/2"	2-1/2"	2-1/2"	2-1/2"	3"	3"	3"

17.Low Temp.Type water cooled cooled 4 compressor racks

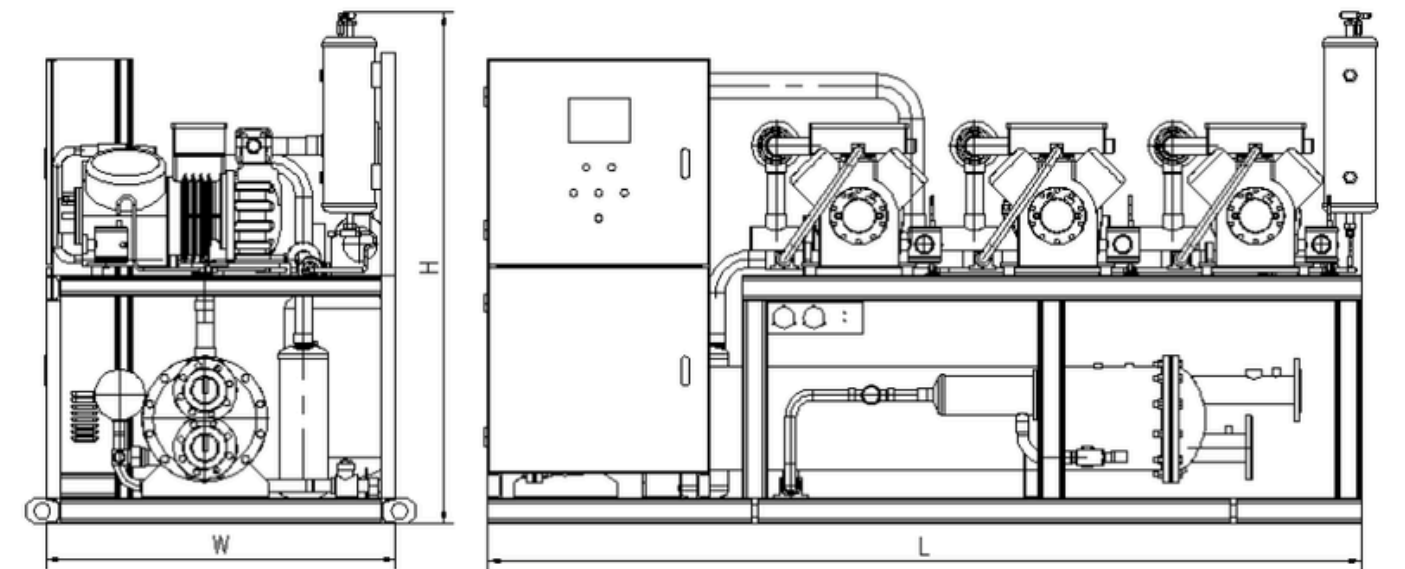
Model		BBS4-							
		36LBGKA	56LBGKA	72LBGKA	92LBGKA	112LBGKA	136LBGKA	176LBGKA	
Room Temperature(°C)		-15°C~-30°C							
Refrigerant		R507A							
Power		380V/3Ph/50HZ							
Compressor	Type	Semi-hermetic							
	Model	4TES-9Y	4NES-14Y	4HE-18Y	4GE-23Y	4FE-28Y	6GE-34Y	6FE-44Y	
	Qty	4	4	4	4	4	4	4	
Comp	Type	High Efficient Pipe and Shell							
	Cooling water(m ³ /h)	15	20	28	32	40	48	58	
	Connection size	2-1/2"	2-1/2"	3"	3"	3"	4"	4"	
Cap.&input (kw)	Te -25°C	Cap	40960	55720	78400	92000	109600	138000	164800
		Input	24.8	33.8	46.88	55.52	66.8	84.4	102
	Te -30°C	Cap	30480	41480	59360	70160	84000	106000	126000
		Input	21.2	28.92	40.8	48.36	58.16	73.84	89.6
	Te -35°C	Cap	22040	30000	43720	52240	62520	79760	93600
		Input	17.76	24.12	34.84	41.36	49.6	63.64	77.04
Te -40°C	Cap	15280	20840	31040	37680	44960	58120	67440	
	Input	14.52	19.52	29.12	34.72	41.24	53.84	64.76	
Pipe	Gas In(mm)	φ67	φ67	φ76	φ76	φ108	φ108	φ108	
	Liquid outlet(mm)	φ22	φ28	φ28	φ28	φ35	φ35	φ35	
Overall Size(L*W*H)(mm)		3050*1070*1700	3050*1070*1700	3500*1220*2050	3500*1220*2050	3800*1270*2050	3800*1270*2050	3800*1270*2050	

Water cooled compressor racks diagrams for water cooled rack:

2 Compressor racks



3 Compressor racks



4 Compressor racks

