

Compressor Rack with Bitzer screw compressors 比泽尔压缩机组

Compressor Rack with Bitzer screw compressors 比泽尔压缩机组

1 产品描述 Product Description

2 型号标识 Nomenclature

3 技术参数 technical data



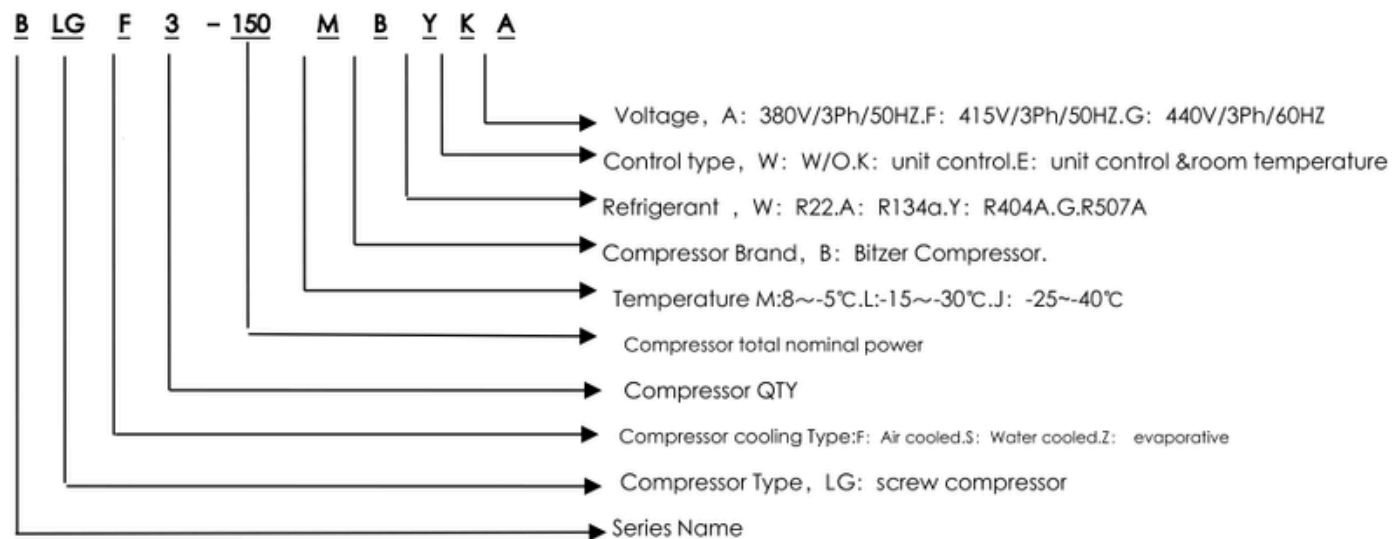
产品描述 PRODUCT DESCRIPTION

With the rapid development of the refrigeration equipment market, there are more and more large-scale fresh-keeping cold storage, low-temperature cold storage, cold water equipment, quick-freezing equipment, etc. It is difficult for the freon piston compressor to meet the needs of these equipment. The BLG series semi-hermetic screw compressor Rack developed by our company can be widely used in larger types of refrigeration equipment.

This series of products have the following characteristics:

- Using Bitzer Compressor. CsH series or HSN series semi-enclosed screw compressor, with high efficiency, long life, low vibration, low noise, etc.
- The unit configuration is complete, the main refrigeration accessories and control components are all world-renowned brands, and the reliability is high;
- The unit has multiple safety protections such as Compressor reverse rotation, overheating, overload, exhaust temperature, low oil level and Compressor high and low pressure to ensure the reliability of operation;
- With multi-level energy adjustment, it can adapt to the changes of different cooling loads and effectively reduce energy consumption;
- Unit control adopts PIC and touch screen, which can realize remote monitoring according to user requirements

型号标识 NOMENCLATURE



技术参数 TECHNICAL DATA

1. Middle temperature screw condensing unit Air cooled

Model	BLGS-50MBGKA	BLGS-60MBGKA	BLGS-70MBGKA	BLGS-80MBGKA	BLGS-90MBGKA		
Temperature(°C)	-5°C~5°C						
Power	380V/3Ph/50HZ						
Compressor Model	CSH6553-50Y	CSH6563-60Y	CSH7553-70Y	CSH7563-80Y	CSH7573-90Y		
Comp capacity and input	Te -5°C	capacity(w)	89.6	112.6	130.6	148.6	172.8
		Input (kw)	34	42.3	47.5	53.2	61.5
	Te -10°C	capacity(w)	72.4	91	105	119.6	140.1
		Input (kw)	33.2	41.3	46.3	51.5	59.9
	Te -15°C	capacity(w)	57.9	72.7	83.4	95.2	112.3
		Input (kw)	32.5	40.4	45.3	50.1	58.4
Condenser	Type	High Efficient Pipe and Shell					
	Cooling Water(m³/h)	29	37	42	48	55	
	Connection size	Rp3	Rp3	DN80	DN100	DN100	
pipe	Gas In(mm)	φ54	φ54	φ76	φ76	φ76	
	Liquid dia.Pipe(mm)	φ35	φ35	φ42	φ42	φ42	
Overall Size(L*W*H)(mm)	1610*600*1150	2110*900*1150	2110*900*1200	2550*900*1200	2550*900*1200		

Model	BLGS2-100MBGKA	BLGS2-120MBGKA	BLGS2-140MBGKA	BLGS2-160MBGKA	BLGS2-180MBGKA
Temperature(°C)	-5°C~5°C				
Power	380V/3Ph/50HZ				
Compressor Model	CSH6553-50Y	CSH6563-60Y	CSH7553-70Y	CSH7563-80Y	CSH7573-90Y

Comp capacity and input	Te -5°C	capacity(w)	179.2	225.2	261.2	297.2	345.6
		Input (kw)	68	84.6	95	106.4	123
	Te -10°C	capacity(w)	144.8	182	210	239.2	280.2
		Input (kw)	66.4	82.6	92.6	103	119.8
	Te -15°C	capacity(w)	115.8	145.4	166.8	190.4	224.6
		Input (kw)	65	80.8	90.6	100.2	116.8
Condenser	Type	High Efficient Pipe and Shell					
	Cooling Water(m³/h)	58	73	84	95	110	
	Connection size	DN125	DN125	DN125	DN150	DN150	
pipe	Gas In(mm)	φ108	φ108	φ108	φ133	φ133	
	Liquid dia.Pipe(mm)	φ42	φ54	φ54	φ54	φ67	
Overall Size(L*W*H)(mm)		2600*1300*1600	2900*1300*1600	2900*1300*1700	3100*1300*1700	3400*1300*1700	

Model	BLGS3-150 MBGKA	BLGS3-180 MBGKA	BLGS3-210 MBGKA	BLGS3-240 MBGKA	BLGS3-270 MBGKA		
Temperature(°C)	-5°C~5°C						
Power	380V/3Ph/50HZ						
Compressor Model	CSH6553-50Y	CSH6563-60Y	CSH7553-70Y	CSH7563-80Y	CSH7573-90Y		
Comp capacity and input	Te -5°C	capacity(w)	268.8	337.8	391.8	445.8	518.4
		Input (kw)	102	126.9	142.5	159.6	184.5
	Te -10°C	capacity(w)	217.2	273	315	358.8	420.3
		Input (kw)	99.6	123.9	138.9	154.5	179.7
	Te -15°C	capacity(w)	173.7	218.1	250.2	285.6	336.9
		Input (kw)	97.5	121.2	135.9	150.3	175.2

Condenser	Type	High Efficient Pipe and Shell				
	Cooling Water(m³/h)	87	110	126	143	166
	Connection size	DN125	DN150	DN150	DN150	DN150
pipe	Gas In(mm)	2*φ89(SS)	2*φ108	2*φ108	2*φ133	2*φ133
	Liquid dia.Pipe(mm)	φ54	φ54	φ67	φ67	φ67
Overall Size(L*W*H)(mm)		3000*1960*2000	3400*1960*2000	3400*1960*2100	3400*1960*2100	3600*1960*2100

2.evaporative condenser:

Model	BLGZ-50MBGKA	BLGZ-60MBGKA	BLGZ-70MBGKA	BLGZ-80MBGKA	BLGZ-90MBGKA		
Temperature(°C)	-5°C~5°C						
Power	380V/3Ph/50HZ						
Compressor Model	CSH6553-50Y	CSH6563-60Y	CSH7553-70Y	CSH7563-80Y	CSH7573-90Y		
Comp capacity and input	Te -5°C	capacity(w)	98.6	123.8	144.6	165.3	191
		Input (kw)	30.9	38.6	43.2	48.9	55.8
	Te -10°C	capacity(w)	80.3	100.8	116.9	133.7	155.6
		Input (kw)	30.3	37.7	41.9	46.9	54.2
	Te -15°C	capacity(w)	64.7	81.2	93.4	107	125.3
		Input (kw)	29.7	36.8	40.8	45.4	52.7
pipe	Gas In(mm)	φ54	φ54	φ76	φ76	φ76	
	Liquid dia.Pipe(mm)	φ35	φ35	φ42	φ42	φ42	
	Gas Connect(mm)	φ42	φ42	φ54	φ54	φ54	
	Liquid dia.Pipe(mm)	φ35	φ35	φ42	φ42	φ42	
Overall Size(L*W*H)(mm)		1900*900*1150	1900*900*1150	2200*900*1200	2200*900*1200	2550*900*1200	

Model			BLGZ2-100MBGKA	BLGZ2-120MBGKA	BLGZ2-140MBGKA	BLGZ2-160MBGKA	BLGZ2-180MBGKA
Temperature(°C)			-5°C~5°C				
Power			380V/3Ph/50HZ				
Compressor Model			CSH6553-50Y	CSH6563-60Y	CSH7553-70Y	CSH7563-80Y	CSH7573-90Y
Comp capacity and input	Te -5°C	capacity(w)	197.2	247.6	289.2	330.6	382
		Input (kw)	61.8	77.2	86.4	97.8	111.6
	Te -10°C	capacity(w)	160.6	201.6	233.8	267.4	311.2
		Input (kw)	60.6	75.4	83.8	93.8	108.4
	Te -15°C	capacity(w)	129.4	162.4	186.8	214	250.6
		Input (kw)	59.4	73.6	81.6	90.8	105.4
pipe	Gas In(mm)		φ89	φ89	φ108	φ108	φ108
	Liquid dia.Pipe(mm)		φ42	φ54	φ54	φ54	φ67
	Gas Connect(mm)		φ67	φ67	φ76	φ76	φ76
	Liquid dia.Pipe(mm)		φ54	φ54	φ67	φ67	φ67
Overall Size(L*W*H)(mm)			2400*1300*1600	2400*1300*1600	2900*1300*1700	2900*1300*1700	2900*1300*1700

Model			BLGZ3-150MBGKA	BLGZ3-180MBGKA	BLGZ3-210MBGKA	BLGZ3-240MBGKA	BLGZ3-270MBGKA
Temperature(°C)			-5°C~5°C				
Power			380V/3Ph/50HZ				
Compressor Model			CSH6553-50Y	CSH6563-60Y	CSH7553-70Y	CSH7563-80Y	CSH7573-90Y
Comp capacity and input	Te -5°C	capacity(w)	295.8	371.4	433.8	495.9	573
		Input (kw)	92.7	115.8	129.6	146.7	167.4
	Te -10°C	capacity(w)	240.9	302.4	350.7	401.1	466.8
		Input (kw)	90.9	113.1	125.7	140.7	162.6
	Te -15°C	capacity(w)	194.1	243.6	280.2	321	375.9
		Input (kw)	89.1	110.4	122.4	136.2	158.1

pipe	Gas In(mm)	2*φ76(SS)	2*φ76(SS)	2*φ89	2*φ89	2*φ108
	Liquid dia.Pipe(mm)	φ54	φ54	φ67	φ67	φ67
	Gas Connect(mm)	φ76(SS)	φ76(SS)	φ89	φ89	φ89
	Liquid dia.Pipe(mm)	φ67	φ67	φ76	φ76	φ76
Overall Size(L*W*H)(mm)		3000*1960*2000	3000*1960*2000	3000*1960*2100	3000*1960*2100	3000*1960*2100

3.Air cooled R507A:

Model			BLGF-50MBGKA	BLGF-60MBGKA	BLGF-70MBGKA	BLGF-80MBGKA	BLGF-90MBGKA
Temperature(°C)			-5°C~5°C				
Power			380V/3Ph/50HZ				
Compressor Model			CSH6553-50Y	CSH6563-60Y	CSH7553-70Y	CSH7563-80Y	CSH7573-90Y
Comp capacity and input	Te -5°C	capacity(w)	80.3	101	116.3	131.7	154
		Input (kw)	37.3	46.5	52.3	58.2	67.7
	Te -10°C	capacity(w)	64.3	80.9	93	105.5	124.3
		Input (kw)	36.5	45.4	51.3	56.6	66.2
	Te -15°C	capacity(w)	50.9	64	73.4	83.4	99
		Input (kw)	35.7	44.3	50.3	55.4	64.8
pipe	Gas In(mm)		φ54	φ54	φ76	φ76	φ76
	Liquid dia.Pipe(mm)		φ28	φ28	φ35	φ35	φ35
	Gas Connect(mm)		42	φ42	φ54	φ54	φ54
	Liquid dia.Pipe(mm)		φ35	φ35	φ42	φ42	φ42
Overall Size(L*W*H)(mm)			1900*900*1150	1900*900*1150	2200*900*1200	2200*900*1200	2550*900*1200

Model		BLGF2-100MBGKA	BLGF2-120 MBGKA	BLGF2-140 MBGKA	BLGF2-160 MBGKA	BLGF2-180 MBGKA	
Temperature(°C)		-5°C~5°C					
Power		380V/3Ph/50HZ					
Compressor Model		CSH6553-50Y	CSH6563-60Y	CSH7553-70Y	CSH7563-80Y	CSH7573-90Y	
Comp capacity and input	Te -5°C	capacity(w)	160.6	202	232.6	263.4	308
		Input (kw)	74.6	93	104.6	116.4	135.4
	Te -10°C	capacity(w)	128.6	161.8	186	211	248.6
		Input (kw)	73	90.8	102.6	113.2	132.4
	Te -15°C	capacity(w)	101.8	128	146.8	166.8	198
		Input (kw)	71.4	88.6	100.6	110.8	129.6
pipe	Gas In(mm)		φ89	φ89	φ108	φ108	φ108
	Liquid dia.Pipe(mm)		φ35	φ42	φ42	φ42	φ54
	Gas Connect(mm)		φ67	φ67	φ76	φ76	φ76
	Liquid dia.Pipe(mm)		φ42	φ54	φ54	φ54	φ54
Overall Size(L*W*H)(mm)		2400*1300*1600	2400*1300*1600	2900*1300*1700	2900*1300*1700	2900*1300*1700	

Model		BLGF3-150 MBGKA	BLGF3-180 MBGKA	BLGF3-210 MBGKA	BLGF3-240 MBGKA	BLGF3-270 MBGKA	
Temperature(°C)		-5°C~5°C					
Power		380V/3Ph/50HZ					
Compressor Model		CSH6553-50Y	CSH6563-60Y	CSH7553-70Y	CSH7563-80Y	CSH7573-90Y	
Comp capacity and input	Te -5°C	capacity(w)	240.9	303	348.9	395.1	462
		Input (kw)	111.9	139.5	156.9	174.6	203.1
	Te -10°C	capacity(w)	192.9	242.7	279	316.5	372.9
		Input (kw)	109.5	136.2	153.9	169.8	198.6
	Te -15°C	capacity(w)	152.7	192	220.2	250.2	297
		Input (kw)	107.1	132.9	150.9	66.2	194.4

pipe	Gas In(mm)	2*φ76(SS)	2*φ76(SS)	2*φ89	2*φ89	2*φ108
	Liquid dia.Pipe(mm)	φ42	φ54	φ54	φ54	φ67
	Gas Connect(mm)	φ76(SS)	φ76(SS)	φ89	φ89	φ89
	Liquid dia.Pipe(mm)	φ54	φ54	φ54	φ54	φ67
Overall Size(L*W*H)(mm)		3000*1960*2000	3000*1960*2000	3000*1960*2100	3000*1960*2100	3000*1960*2100

4. Water cooled low temperature compressor Racks Refrigerant R507A:

Model		BLGS-50JBGKA	BLGS-60JBGKA	BLGS-70JBGKA	BLGS-75JBGKA	BLGS-110JBGKA	BLGS-125JBGKA	BLGS-160JBGKA	
Room Temperature(°C)/refrigerant		-25°C~-40°C/R507A							
power supply		380V/3Ph/50HZ							
Comp	Type	Semi-hermetic Screw							
	Comp.Model	HSN6461-50	HSN7451-60	HSN7461-70	HSN7471-75	HSN8561-110	HSN8571-125	HSN8591-160	
Condenser	Type	Shell and tube							
	Water flow(m³/h)	25	30	33	36	51	58	72	
	Water pipe size	Rp2-1/2	Rp3	Rp3	Rp3	DN80	DN80	DN100	
Cap.& input	Te -25°C	capacity(w)	71.3	86.6	98.4	103.1	146.7	169.4	212
		Input (kw)	44.2	52.8	57.1	62.8	90.7	99.3	124.6
	Te -30°C	capacity(w)	59.2	71.3	81.3	85.5	119.4	140.1	174.8
		Input (kw)	42.4	51.6	55.3	60.1	87.6	94.7	120.6
	Te -35°C	capacity(w)	48.5	57.9	66.4	70.1	95.8	114.7	142.7
		Input (kw)	40.5	50.6	53.4	57.6	84.4	90.6	116.3
Te -42°C	capacity(w)	35.8	42	48.6	51.8	68.4	84.5	104.7	
	Input (kw)	38	48.8	50.8	54.1	80.7	85.4	109.6	
pipe	Liquid outlet connect(mm)	φ54	φ76	φ76	φ76	φ108	φ108	φ108	
	Gas connect(mm)	28	28	28	28	35	42	42	
Overall Size(L*W*H)(mm)		1800*1050*1300	1800*1050*1300	1800*1050*1300	2000*1050*1300	2250*1100*1730	2250*1100*1730	2250*1100*1730	

Model		BLGS2-100JBGKA	BLGS2-120JBGKA	BLGS2-140JBGKA	BLGS2-150JBGKA	BLGS2-220JBGKA	BLGS2-250JBGKA	BLGS2-320JBGKA	
Room Temperature(°C)/refrigerant		-25°C~-40°C/R507A							
power supply		380V/3Ph/50HZ							
Comp	Type	Semi-hermetic Screw							
	Comp.Model	HSN6461-50	HSN7451-60	HSN7461-70	HSN7471-75	HSN8561-110	HSN8571-125	HSN8591-160	
Condenser	Type	Shell and tube							
	Water flow(m³/h)	50	60	67	71	102	115	144	
	Water pipe size	DN80	DN80	DN100	DN100	DN125	DN125	DN150	
Cap.& input	Te -25°C	capacity(w)	142.6	173.2	196.8	206.2	293.4	338.8	424
		Input (kw)	88.4	105.6	114.2	125.6	181.4	198.6	249.2
	Te -30°C	capacity(w)	118.4	142.6	162.6	171	238.8	280.2	349.6
		Input (kw)	84.8	103.2	110.6	120.2	175.2	189.4	241.2
	Te -35°C	capacity(w)	97	115.8	132.8	140.2	191.6	229.4	285.4
		Input (kw)	81	101.2	106.8	115.2	168.8	181.2	232.6
	Te -42°C	capacity(w)	71.6	84	97.2	103.6	136.8	169	209.4
		Input (kw)	76	97.6	101.6	108.2	161.4	170.8	219.2
pipe	Liquid outlet connect(mm)	φ89	φ108	φ108	φ108	φ133	φ159	φ159	
	Gas connect(mm)	35	42	42	42	54	54	67	
Overall Size(L*W*H)(mm)		2400*1880*2100	2400*1880*2100	2400*1880*2100	2400*1880*2100	2400*2150*2300	2400*2150*2300	2400*2150*2300	

Model		BLGS3-150JBGKA	BLGS3-180JBGKA	BLGS3-210JBGKA	BLGS3-225JBGKA	BLGS3-330JBGKA	BLGS3-375JBGKA	
Room Temperature(°C)/refrigerant		-25°C~-40°C/R507A						
power supply		380V/3Ph/50HZ						
Comp	Type	Semi-hermetic Screw						
	Comp.Model	HSN6461-50	HSN7451-60	HSN7461-70	HSN7471-75	HSN8561-110	HSN8571-125	
Condenser	Type	Shell and tube						
	Water flow(m³/h)	74	90	100	107	153	173	
	Water pipe size	DN100	DN125	DN125	DN125	DN150	DN150	
Cap.& input	Te -25°C	capacity(w)	213.9	259.8	295.2	309.3	440.1	508.2
		Input (kw)	132.6	158.4	171.3	188.4	272.1	297.9
	Te -30°C	capacity(w)	177.6	213.9	243.9	256.5	358.2	420.3
		Input (kw)	127.2	154.8	165.9	180.3	262.8	284.1
	Te -35°C	capacity(w)	145.5	173.7	199.2	210.3	287.4	344.1
		Input (kw)	121.5	151.8	160.2	172.8	253.2	271.8
	Te -42°C	capacity(w)	107.4	126	145.8	155.4	205.2	253.5
		Input (kw)	114	146.4	152.4	162.3	242.1	256.2
pipe	Liquid outlet connect(mm)	2 × φ89	2 × φ89	2 × φ108	2 × φ108	2 × φ133	2 × φ133	
	Gas connect(mm)	42	54	54	54	67	67	
Overall Size(L*W*H)(mm)		3300*1880*2100	3300*1880*2100	3300*1880*2100	3300*1880*2100	3500*2150*2300	3500*2150*2300	

5.Evaporative compressor rack Refrigerant R507A:

Model		BLGS4-200JBGKA	BLGS4-240JBGKA	BLGS4-280JBGKA	BLGS4-300JBGKA	
Room Temperature(°C)/refrigerant		-25°C~-40°C/R507A				
power supply		380V/3Ph/50HZ				
Comp	Type	Semi-hermetic Screw				
	Comp.Model	HSN6461-50	HSN7451-60	HSN7461-70	HSN7471-75	
Condenser	Type	Shell and tube				
	Water flow(m³/h)	99	119	133	142	
	Water pipe size	DN125	DN125	DN150	DN150	
Cap.& input	Te -25°C	capacity(w)	285.2	346.4	393.6	412.4
		Input (kw)	176.8	211.2	228.4	251.2
	Te -30°C	capacity(w)	236.8	285.2	325.2	342
		Input (kw)	169.6	206.4	221.2	240.4
	Te -35°C	capacity(w)	194	231.6	265.6	280.4
		Input (kw)	162	202.4	213.6	230.4
	Te -42°C	capacity(w)	143.2	168	194.4	207.2
		Input (kw)	152	195.2	203.2	216.4
	pipe	Liquid outlet connect(mm)	3 × φ89	3 × φ89	3 × φ108	3 × φ108
		Gas connect(mm)	54	54	67	67
Overall Size(L*W*H)(mm)		4100*1880*2100	4100*1880*2100	4100*1880*2100	4100*1880*2100	

Model		BLGZ-50JBGKA	BLGZ-60JBGKA	BLGZ-70JBGKA	BLGZ-75JBGKA	BLGZ-110JBGKA	BLGZ-125JBGKA	BLGZ-160JBGKA	
Room Temperature(°C)/refrigerant		-25°C~-40°C/R507A							
power supply		380V/3Ph/50HZ							
Comp	Type	Semi-hermetic Screw							
	Comp.Model	HSN6461-50	HSN7451-60	HSN7461-70	HSN7471-75	HSN8561-110	HSN8571-125	HSN8591-160	
Oil cooler type		Air cooled/Siphon cooled							
Cap.& input	Te -25°C	capacity(w)	74.3	91.1	102.9	108.3	160.5	179.1	224
		Input (kw)	39.9	47.4	51.4	57	81.5	91.2	111.8
	Te -30°C	capacity(w)	61.7	74.9	85	89.7	131.7	148.5	184.9
		Input (kw)	38.3	46.2	49.7	54.6	78.8	86.6	108
	Te -35°C	capacity(w)	50.6	60.8	69.3	73.5	106.9	121.9	151.2
		Input (kw)	36.6	45.2	48	52.2	75.9	82.5	104.3
Te -42°C	capacity(w)	37.3	44.1	50.8	54.4	78	90.5	111.5	
	Input (kw)	34.2	43.6	45.5	48.8	72.7	77.7	98.6	
Pipes	Suction connection(mm)		φ54	φ76	φ76	φ76	φ108	φ108	φ108
	Liquid connection(mm)		28	28	28	28	35	42	42
	Exhaust connection(mm)		φ42	φ54	φ54	φ54	φ76	φ76	φ76
	Liquid in connection((mm)		φ35	φ35	φ35	φ35	φ42	φ54	φ54
Overall Size(L*W*H)(mm)		1750*1250*1640	1750*1250*1640	1750*1250*1640	1750*1250*1640	2150*1400*1870	2150*1400*1870	2150*1400*1870	

Model		BLGZ2-100JBGKA	BLGZ2-120JBGKA	BLGZ2-140JBGKA	BLGZ2-150JBGKA	BLGZ2-220JBGKA	BLGZ2-250JBGKA	BLGZ2-320JBGKA	
Room Temperature(°C)/refrigerant		-25°C~-40°C/R507A							
power supply		380V/3Ph/50HZ							
Comp	Type	Semi-hermetic Screw							
	Comp.Model	SN6461-50	SN7451-60	SN7461-70	SN7471-75	SN8561-110	SN8571-125	SN8591-160	
Oil cooler type		Air cooled/Siphon cooled							
Cap.& input	Te -25°C	capacity(w)	148.6	182.2	205.8	216.6	321	358.2	448
		Input (kw)	79.8	94.8	102.8	114	163	182.4	223.6
	Te -30°C	capacity(w)	123.4	149.8	170	179.4	263.4	297	369.8
		Input (kw)	76.6	92.4	99.4	109.2	157.6	173.2	216
	Te -35°C	capacity(w)	101.2	121.6	138.6	147	213.8	243.8	302.4
		Input (kw)	73.2	90.4	96	104.4	151.8	165	208.6
	Te -42°C	capacity(w)	74.6	88.2	101.6	108.8	156	181	223
		Input (kw)	68.4	87.2	91	97.6	145.4	155.4	197.2
Pipes	Suction connection(mm)		φ89	φ108	φ108	φ108	φ133	φ159	φ159
	Liquid connection(mm)		35	42	42	42	54	54	67
	Exhaust connection(mm)		φ76	φ76	φ76	φ76	φ108	φ108	φ108
	Liquid in connection((mm)		φ42	φ54	φ54	φ54	φ67	φ67	φ76
Overall Size(L*W*H)(mm)		2650*1880*2100	2650*1880*2100	2650*1880*2100	2650*1880*2100	3450*2020*2300	3450*2020*2300	3450*2020*2300	

Model		BLGZ3-150JBGKA	BLGZ3-180JBGKA	BLGZ3-210JBGKA	BLGZ3-225JBGKA	BLGZ3-330JBGKA	BLGZ3-375JBGKA
Room Temperature(°C)/refrigerant		-25°C~-40°C/R507A					
power supply		380V/3Ph/50HZ					
Comp	Type	Semi-hermetic Screw					
	Comp.Model	HSN6461-50	HSN7451-60	HSN7461-70	HSN7471-75	HSN8561-110	HSN8571-125

Oil cooler type			Air cooled/Siphon cooled					
Cap.& input	Te -25°C	capacity(w)	222.9	273.3	308.7	324.9	481.5	537.3
		Input (kw)	119.7	142.2	154.2	171	244.5	273.6
	Te -30°C	capacity(w)	185.1	224.7	255	269.1	395.1	445.5
		Input (kw)	114.9	138.6	149.1	163.8	236.4	259.8
	Te -35°C	capacity(w)	151.8	182.4	207.9	220.5	320.7	365.7
		Input (kw)	109.8	135.6	144	156.6	227.7	247.5
Te -42°C	capacity(w)	111.9	132.3	152.4	163.2	234	271.5	
	Input (kw)	102.6	130.8	136.5	146.4	218.1	233.1	
Pipes	Suction connection(mm)		2×φ89	2×φ89	2×φ108	2×φ108	2×φ133	2×φ133
	Liquid connection(mm)		42	54	54	54	67	67
	Exhaust connection(mm)		φ76	φ89	φ108	φ108	φ108	φ133
	Liquid in connection((mm)		φ54	φ67	φ67	φ67	φ76	φ76
Overall Size(L*W*H)(mm)			3450*1900*2100	3450*1900*2100	3450*1900*2100	3450*1900*2100	4250*2020*300	4250*2020*300

Model		BLGZ4-200JBGKA	BLGZ4-240JBGKA	BLGZ4-280JBGKA	BLGZ4-300JBGKA	
Room Temperature(°C)/refrigerant		-25°C~-40°C/R507A				
power supply		380V/3Ph/50HZ				
Comp	Type	Semi-hermetic Screw				
	Comp.Model	HSN6461-50	HSN7451-60	HSN7461-70	HSN7471-75	
Oil cooler type		Air cooled/Siphon cooled				
Cap.& input	Te -25°C	capacity(w)	297.2	364.4	411.6	433.2
		Input (kw)	159.6	189.6	205.6	228
	Te -30°C	capacity(w)	246.8	299.6	340	358.8
		Input (kw)	153.2	184.8	198.8	218.4

Cap.& input	Te -35°C	capacity(w)	202.4	243.2	277.2	294
		Input (kw)	146.4	180.8	192	208.8
	Te -42°C	capacity(w)	149.2	176.4	203.2	217.6
		Input (kw)	136.8	174.4	182	195.2
Pipes	Suction connection(mm)		3 × φ89	3 × φ89	3 × φ108	3 × φ108
	Liquid connection(mm)		54	54	67	67
	Exhaust connection(mm)		φ89	φ108	φ108	φ108
	Liquid in connection((mm)		φ67	φ67	φ76	φ76
Overall Size(L*W*H)(mm)			4250*1900*2100	4250*1900*2100	4250*1900*2100	4250*1900*2100

Pipes	Suction connection(mm)	φ54	φ76	φ76	φ76	φ108	φ108	φ108
	Liquid connection(mm)	28	28	28	28	35	42	42
	Exhaust connection(mm)	φ42	φ54	φ54	φ54	φ76	φ76	φ76
	Liquid in connection((mm)	φ35	φ35	φ35	φ35	φ42	φ54	φ54
Overall Size(L*W*H)(mm)		1750*1250*1640	1750*1250*1640	1750*1250*1640	1750*1250*1640	2150*1400*1870	2150*1400*1870	2150*1400*1870

6.Air cooled condenser Refrigerant R507A:

Model	BLGF-50JBGKA	BLGF-60JBGKA	BLGF-70JBGKA	BLGF-75JBG KA	BLGF110JB GKA	BLGF-125JBGKA	BLGF-160JBGKA		
Room Temperature(°C)/refrigerant	-25°C~-40°C/R507A								
power supply	380V/3Ph/50HZ								
Comp	Type	Semi-hermetic Screw							
	Comp.Model	HSN6461-50	HSN7451-60	HSN7461-70	HSN7471-75	HSN8561-110	HSN8571-125	HSN8591-160	
Oil cooler type		Air cooled/Siphon cooled							
Cap.& input	Te -25°C	capacity(w)	67.8	81.5	93.2	97.3	128	158.4	198.2
		Input (kw)	49.1	59	63.4	69.3	100.7	108.7	140
	Te -30°C	capacity(w)	56.2	67.1	77	80.6	102.6	130.7	163.6
		Input (kw)	47.1	57.7	61.6	66.5	97	104	135.4
	Te -35°C	capacity(w)	46	54.5	62.8	66.1	80.7	106.5	133.2
		Input (kw)	45.1	56.5	59.7	63.8	93.3	99.6	130.3
	Te -42°C	capacity(w)	33.8	39.5	45.9	48.7	55.2	77.7	96.9
		Input (kw)	42.5	54.7	56.9	60.4	88.9	93.8	122.1

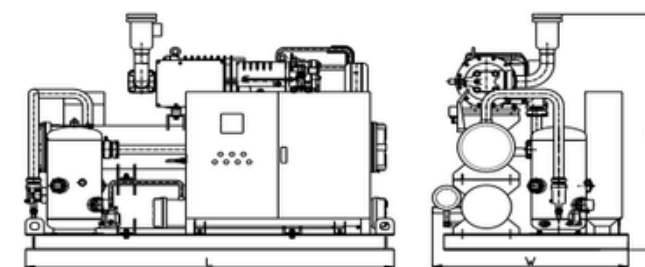
Model	BLGF2-100JBGKA	BLGF2-120JBGKA	BLGF2-140JBGKA	BLGF2-150JBGKA	BLGF2-220JBGKA	BLGF2-250JBGKA	BLGF2-320JBGKA		
Room Temperature(°C)/refrigerant	-25°C~-40°C/R507A								
power supply	380V/3Ph/50HZ								
Comp	Type	Semi-hermetic Screw							
	Comp.Model	HSN6461-50	HSN7451-60	HSN7461-70	HSN747 1-75	HSN8561-110	HSN8571-125	HSN8591-160	
Oil cooler type		Air cooled/Siphon cooled							
Cap.& input	Te -25°C	capacity(w)	135.6	163	186.4	194.6	256	316.8	396.4
		Input (kw)	98.2	118	126.8	138.6	201.4	217.4	280
	Te -30°C	capacity(w)	112.4	134.2	154	161.2	205.2	261.4	327.2
		Input (kw)	94.2	115.4	123.2	133	194	208	270.8
	Te -35°C	capacity(w)	92	109	125.6	132.2	161.4	213	266.4
		Input (kw)	90.2	113	119.4	127.6	186.6	199.2	260.6
Te -42°C	capacity(w)	67.6	79	91.8	97.4	110.4	155.4	193.8	
	Input (kw)	85	109.4	113.8	120.8	177.8	187.6	244.2	
Pipes	Suction connection(mm)		φ89	φ108	φ108	φ108	φ133	φ159	φ159
	Liquid connection(mm)		35	42	42	42	54	54	67
	Exhaust connection(mm)		φ76	φ76	φ76	φ76	φ108	φ108	φ108
	Liquid in connection((mm)		φ42	φ54	φ54	φ54	φ67	φ67	φ76
Overall Size(L*W*H)(mm)			2650*1880*2100	2650*1880*2100	2650*1880*2100	2650*1880*2100	3450*2020*2300	3450*2020*2300	3450*2020*2300

Model		BLGF3-150JB GKA	BLGF3-180JB GKA	BLGF3-210JB GKA	BLGF3-225JB GKA	BLGF3-330JB GKA	BLGF3-375JB GKA	
Room Temperature(°C)/refrigerant		-25°C~-40°C/R507A						
power supply		380V/3Ph/50HZ						
Comp	Type	Semi-hermetic Screw						
	Comp.Model	HSN6461-50	HSN7451-60	HSN7461-70	HSN7471-75	HSN8561-110	HSN8571-125	
Oil cooler type		Air cooled/Siphon cooled						
Cap.& input	Te -25°C	capacity(w)	203.4	244.5	279.6	291.9	384	475.2
		Input (kw)	147.3	177	190.2	207.9	302.1	326.1
	Te -30°C	capacity(w)	168.6	201.3	231	241.8	307.8	392.1
		Input (kw)	141.3	173.1	184.8	199.5	291	312
	Te -35°C	capacity(w)	138	163.5	188.4	198.3	242.1	319.5
		Input (kw)	135.3	169.5	179.1	191.4	279.9	298.8
	Te -42°C	capacity(w)	101.4	118.5	137.7	146.1	165.6	233.1
		Input (kw)	127.5	164.1	170.7	181.2	266.7	281.4
Pipes	Suction connection(mm)		2 × φ89	2 × φ89	2 × φ108	2 × φ108	2 × φ133	2 × φ133
	Liquid connection(mm)		42	54	54	54	67	67
	Exhaust connection(mm)		φ76	φ89	φ108	φ108	φ108	φ133
	Liquid in connection((mm)		φ54	φ67	φ67	φ67	φ76	φ76
Overall Size(L*W*H)(mm)		3450*1900*2100	3450*1900*2100	3450*1900*2100	3450*1900*2100	4250*2020*2300	4250*2020*2300	

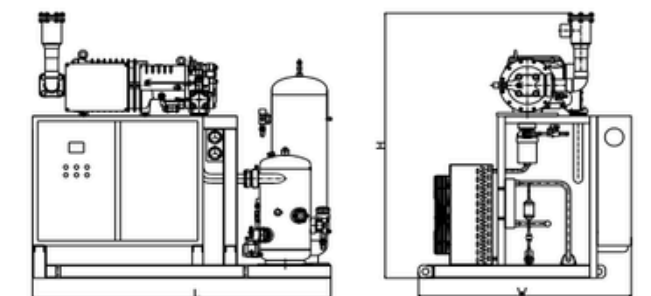
Model		BLGF4-200JBGKA	BLGF4-240JBGKA	BLGF4-280JBGKA	BLGF4-300JBGKA
Room Temperature(°C)/refrigerant		-25°C~-40°C/R507A			
power supply		380V/3Ph/50HZ			
Comp	Type	Semi-hermetic Screw			
	Comp.Model	HSN6461-50	HSN7451-60	HSN7461-70	HSN7471-75

Oil cooler type			Air cooled/Siphon cooled			
Cap.& input	Te -25°C	capacity(w)	271.2	326	372.8	389.2
		Input (kw)	196.4	236	253.6	277.2
	Te -30°C	capacity(w)	224.8	268.4	308	322.4
		Input (kw)	188.4	230.8	246.4	266
	Te -35°C	capacity(w)	184	218	251.2	264.4
		Input (kw)	180.4	226	238.8	255.2
	Te -42°C	capacity(w)	135.2	158	183.6	194.8
		Input (kw)	170	218.8	227.6	241.6
Pipes	Suction connection(mm)		3 × φ89	3 × φ89	3 × φ108	3 × φ108
	Liquid connection(mm)		54	54	67	67
	Exhaust connection(mm)		φ89	φ108	φ108	φ108
	Liquid in connection((mm)		φ67	φ67	φ76	φ76
Overall Size(L*W*H)(mm)			4250*1900*2100	4250*1900*2100	4250*1900*2100	4250*1900*2100

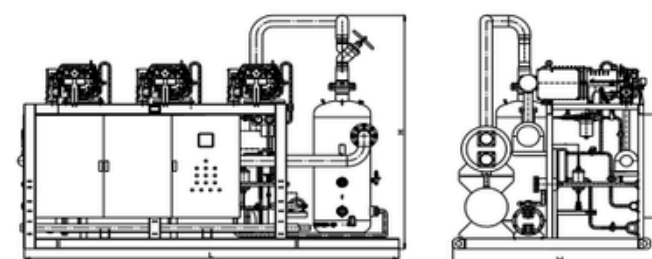
Water cooled single compressor



Air cooled single compressor



Water cooled multi compressors



Air cooled/ evaporative cooled multi compressors rack

