

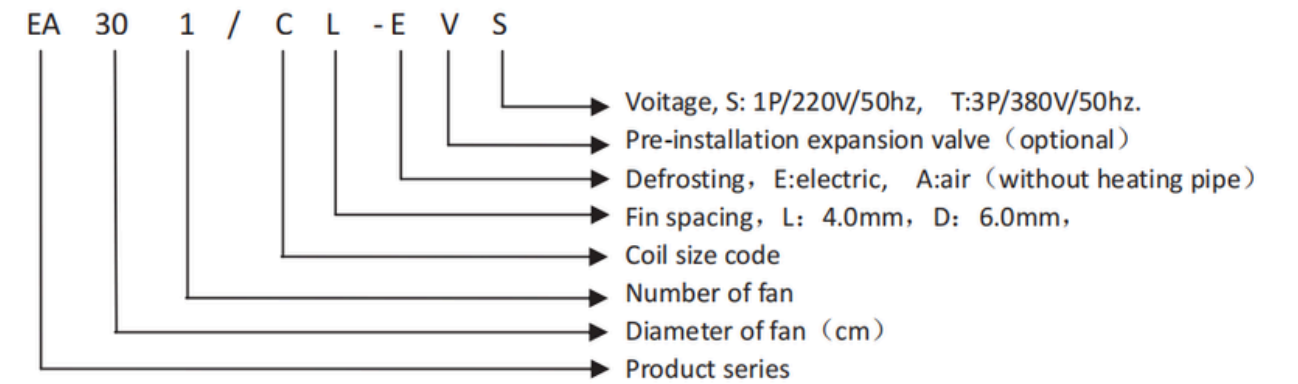
# EV type Air Cooler

## EV冷风机



### 技术参数 TECHNICAL DATA

EV series commercial angled type air cooler, using compact structure design, blowing fans, fan installed on the bevel surface, the product size is small, occupies the cold storage space small, mainly used for those small size cold room.



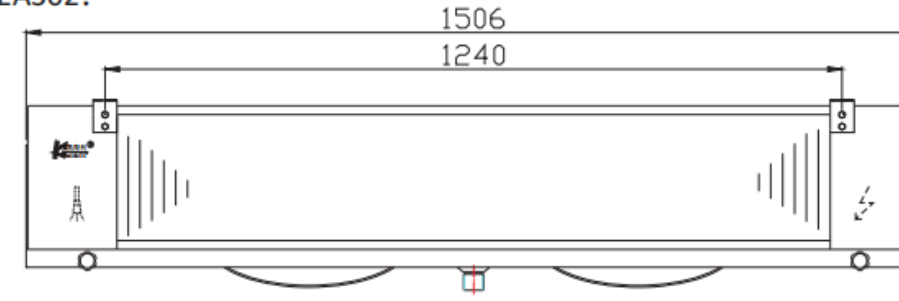
Fin spacing: 4.0mm

Model	Capacity/R404A (KW)		Surface	Tube volume	Airflow	Airthrow	Connection pipe			Weight
	Tc=0°C ΔT=8K	Tc=10°C ΔT=10K	m <sup>2</sup>	dm <sup>3</sup>	m <sup>3</sup> /h	m	Inlet	Outlet	Drain	kg
EA301/CL-ES	1.6	2.3	6.6	1.3	1400	5	φ12	φ12	G1"	18.5
EA301/DL-ES	2	2.9	8.8	1.7	1200	5	φ12	φ12	G1"	19.4
EA302/CL-ES	3.3	4.8	13.1	2.4	2800	7	φ12	φ19	G1"	31.2
EA302/DL-ES	4	5.9	17.5	3.2	2400	7	φ12	φ19	G1"	33
EA303/CL-ES	4.9	7.2	19.7	3.5	4200	8	φ12	φ22	G1"	43.3
EA303/DL-ES	6	8.8	26.3	4.6	3600	8	φ12	φ22	G1"	46
EA304/CL-ES	6.6	9.7	26.3	4.6	5600	9	φ12	φ22	G1"	55
EA304/DL-ES	8.1	11.9	35	6.1	4800	9	φ12	φ22	G1"	58.5

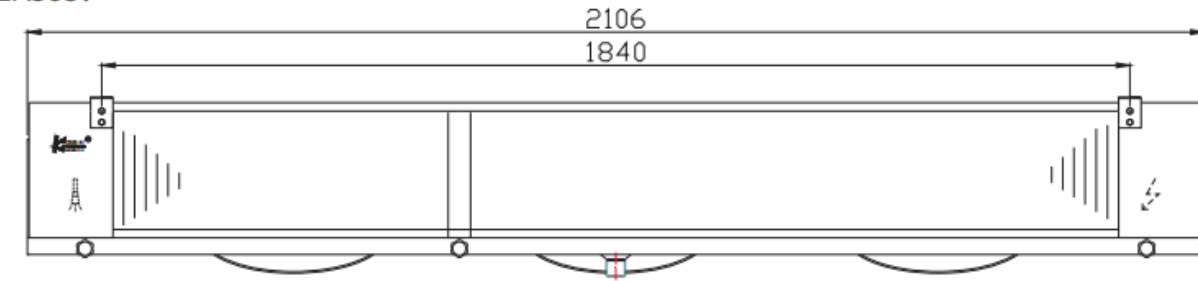
Fin spacing : 4.0mm

Model	Capacity/R404A (KW)		Surface m <sup>2</sup>	Tube volume dm <sup>3</sup>	Airflow m <sup>3</sup> /h	Airthrow m	Connection pipe			Weight kg
	Tc=0°C ΔT=8K	Tc=10°C ΔT=10K					Inlet	Outlet	Drain	
EA301/CD-ES	1.4	1.1	4.5	1.3	1500	5	φ 12	φ 12	G1 "	18
EA301/DD-ES	1.8	1.4	6	1.7	1300	5	φ 12	φ 12	G1 "	19
EA302/CD-ES	2.9	2.3	9	2.4	3000	7	φ 12	φ 19	G1 "	30.6
EA302/DD-ES	3.6	2.9	12	3.2	2600	7	φ 12	φ 19	G1 "	32
EA303/CD-ES	4.3	3.4	13.5	3.5	4500	8	φ 12	φ 22	G1 "	42.4
EA303/DD-ES	5.4	4.3	18.1	4.6	3900	8	φ 12	φ 22	G1 "	45
EA304/CD-ES	5.8	4.6	18.1	4.6	6000	9	φ 12	φ 22	G1 "	53.7
EA304/DD-ES	7.2	5.7	24.1	6.1	5200	9	φ 12	φ 22	G1 "	57

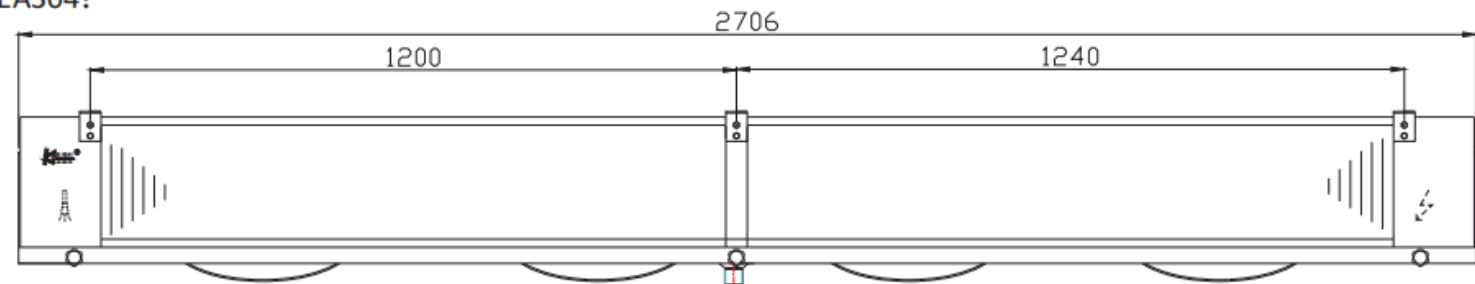
EA302:



EA303:



EA304:



EA301:

