

# Compressor Rack with Hanbell Screw Compressors

## 汉钟螺杆机组

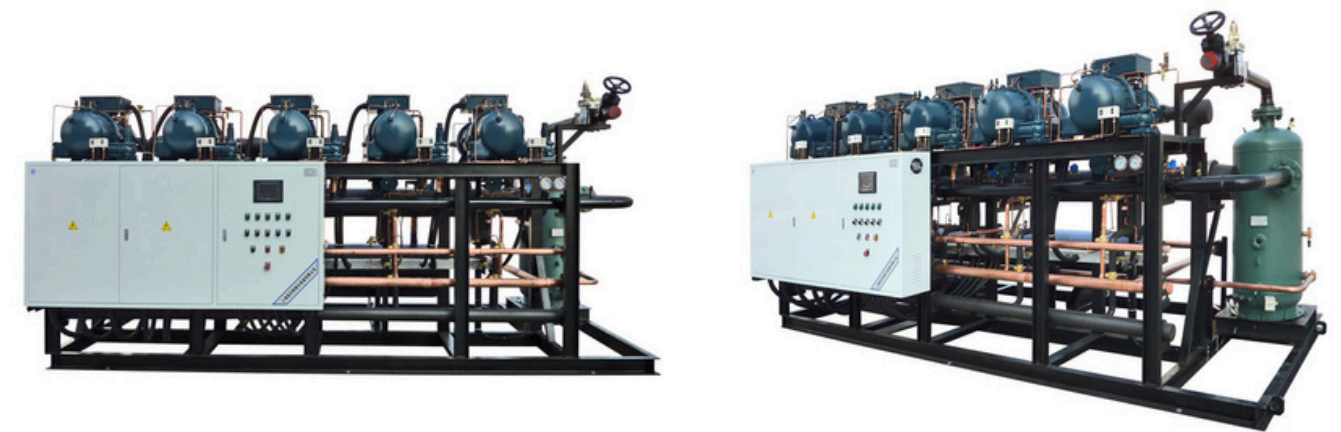
# Compressor Rack with Hanbell Screw Compressors

## 汉钟螺杆机组

1 产品描述 Product Description

2 型号标识 Nomenclature

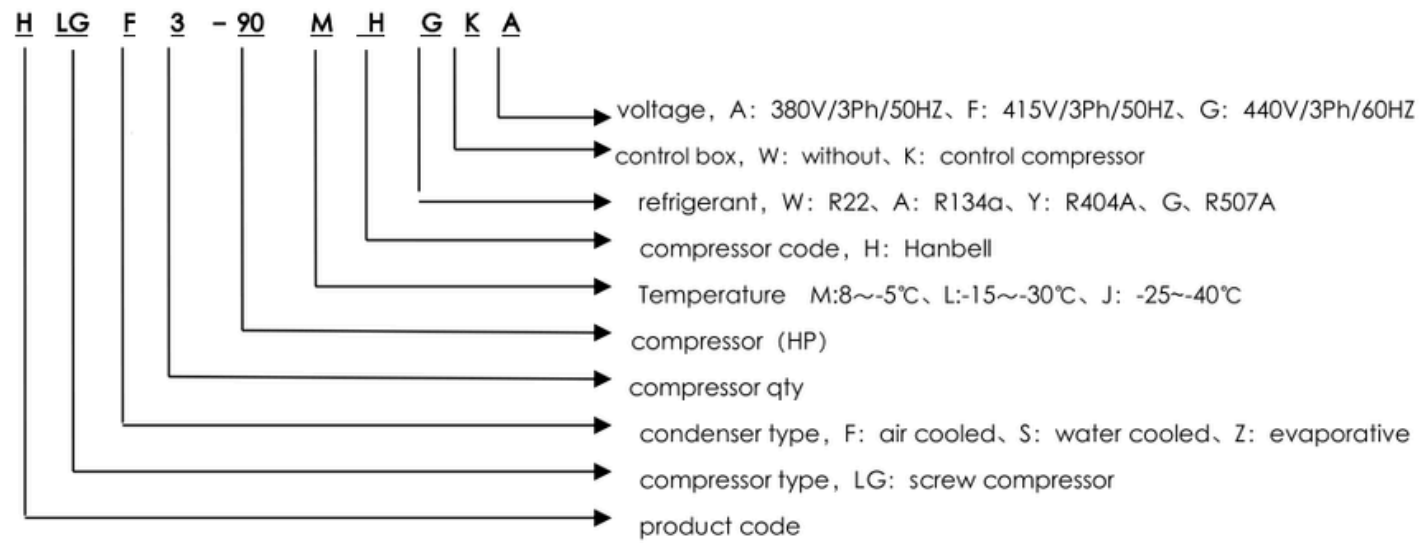
3 技术参数 technical data



## 产品描述 PRODUCT DESCRIPTION

This HLG-H series products are applicable to the large size  $-5^{\circ}\text{C}\sim 8^{\circ}\text{C}$  and  $-15^{\circ}\text{C}\sim 20^{\circ}\text{C}$  refrigeration system, as the large size fresh keepin.

## 型号标识 NOMENCLATURE



## 技术参数 TECHNICAL DATA

### 1.1 water cooled high and medium temperature refrigerant R507A

Model	HLGS-30MHGKA	HLGS-40MHGKA	HLGS-50MHGKA	HLGS-60MHGKA	HLGS-70MHGKA	HLGS-80MHGKA	HLGS-90MHGKA	HLGS-100MHG KAA		
Room	$-5\sim 8^{\circ}\text{C}/\text{R507A}$				$-5\sim 8^{\circ}\text{C}/\text{R507A}$					
Power supply	380V/3Ph/50HZ									
Compressor	Type	Screw compressor								
	Model	RC2-100B	RC2-140B	RC2-180B	RC2-230B	RC2-260B	RC2-310B	RC2-340B	RC2-370B	
	Capacity control	66%-100%				50%-75%-100%				
Condenser	Type	Shelland tube								
	Water flow( $\text{m}^3/\text{h}$ )	19	26	34	45	48	60	66	72	
	Connection	Rp2-1/2	Rp3	Rp3	DN100	DN100	DN125	DN125	DN125	
Cap.&input	$T_e 0^{\circ}\text{C}$	Cap(kw)	76.2	106	138.8	186	199.7	249.3	277.5	298.9
		Input (kw)	27.5	36.3	45.7	60.2	65.7	79.2	86.4	93.8
	$T_e -5^{\circ}\text{C}$	Cap(kw)	62.2	86.5	113.3	151.9	163.1	203.5	226.6	244
		Input (kw)	26.4	34.9	43.9	57.9	63.2	76.1	83	90.1
	$T_e -10^{\circ}\text{C}$	Cap(kw)	50.3	69.8	91.5	122.6	131.7	164.3	182.9	197
		Input (kw)	25.3	33.4	42	55.4	60.5	72.9	79.5	86.3
Connections	Gas (mm)	$\varnothing 54$	$\varnothing 54$	$\varnothing 67$	$\varnothing 76$	$\varnothing 76$	$\varnothing 76$	$\varnothing 108$	$\varnothing 108$	
	Liquid(mm)	$\varnothing 28$	$\varnothing 35$	$\varnothing 35$	$\varnothing 42$	$\varnothing 42$	$\varnothing 54$	$\varnothing 54$	$\varnothing 54$	
Overall Size(L*W*H)(mm)	1650*930*1150	1650*930*1150	2130*930*1150	2550*930*1300	2550*930*1300	2850*930*1350	2850*930*1350	2850*930*1350		

Model		HLGS2-60MHGKA	HLGS2-80MHGKA	HLGS2-100MHGKA	HLGS2-120MHGKA	HLGS2-140MHGKA	HLGS2-160MHGKA	HLGS2-180MHGKA	HLGS2-200MHGKA	
Room		-5~8°C/R507A								
Power supply		380V/3Ph/50HZ								
Compressor	Type	Screw compressor								
	Model	RC2-100B	RC2-140B	RC2-180B	RC2-230B	RC2-260B	RC2-310B	RC2-340B	RC2-370B	
	Qty	2	2	2	2	2	2	2	2	
Capacity control		33%-50%-66%-100%			25%-50%-75%-100%					
Condenser	Type	Shelland tube								
	Water flow(m³/h)	38	52	67	90	97	120	133	143	
	Connection	DN80	DN100	DN125	DN125	DN150	DN150	DN150	DN150	
Cap.&input	Te 0°C	Cap(kw)	152.4	212	277.6	372	399.4	498.6	555	597.8
		Input (kw)	55	72.6	91.4	120.4	131.4	158.4	172.8	187.6
	Te -5°C	Cap(kw)	124.4	173	226.6	303.8	326.2	407	453.2	488
		Input (kw)	52.8	69.8	87.8	115.8	126.4	152.2	166	180.2
	Te -10°C	Cap(kw)	100.6	139.6	183	245.2	263.4	328.6	365.8	394
		Input (kw)	50.6	66.8	84	110.8	121	145.8	159	172.6
Connections	Gas (mm)	φ76	φ89	φ108	φ108	φ108	φ108	φ133	φ133	
	Liquid(mm)	φ42	φ42	φ54	φ54	φ67	φ67	φ67	φ67	
Overall Size(L*W*H)(mm)		2550 × 1700 × 1750	2550 × 1700 × 1750	2850 × 1800 × 1950	3060 × 1800 × 2000	3350 × 1800 × 2000	3450 × 1850 × 2150	3450 × 2100 × 2150	3450 × 2100 × 2150	

Model		HLGS3-90MHGKA	HLGS3-120MHGKA	HLGS3-150MHGKA	HLGS3-180MHGKA	HLGS3-210MHGKA	HLGS3-240MHGKA	HLGS3-270MHGKA	HLGS3-300MHGKA
Room		-5~8°C/R507A							
Power supply		380V/3Ph/50HZ							
Compressor	Type	Screw compressor							
	Model	RC2-100B	RC2-140B	RC2-180B	RC2-230B	RC2-260B	RC2-310B	RC2-340B	RC2-370B
Capacity control		66%-100%			50%-75%-100%				

Compressor	Model	RC2-100B	RC2-140B	RC2-180B	RC2-230B	RC2-260B	RC2-310B	RC2-340B	RC2-370B	
	Qty	3	3	3	3	3	3	3	3	
Capacity control		33%-66%-100%			16%-33%-50%-66%-83% -100%					
Condenser	Type	Shelland tube								
	Water flow(m³/h)	57	78	101	135	145	180	199	215	
	Connection	DN125	DN125	DN150	DN150	DN150	DN200	DN200	DN200	
Cap.&input	Te -20°C	Cap(kw)	228.6	318	416.4	558	599.1	747.9	832.5	896.7
		Input (kw)	82.5	108.9	137.1	180.6	197.1	237.6	259.2	281.4
	Te -25°C	Cap(kw)	186.6	259.5	339.9	455.7	489.3	610.5	679.8	732
		Input (kw)	79.2	104.7	131.7	173.7	189.6	228.3	249	270.3
	Te -30°C	Cap(kw)	150.9	209.4	274.5	367.8	395.1	492.9	548.7	591
		Input (kw)	75.9	100.2	126	166.2	181.5	218.7	238.5	258.9
Connections	Gas (mm)	2 × φ76steel pipe	2 × φ76steel pipe	2 × φ89	2 × φ108	2 × φ108	2 × φ108	2 × φ133	2 × φ133	
	Liquid(mm)	φ54	φ54	φ67	φ67	φ67	φ76	φ76	φ76	
Overall Size(L*W*H)(mm)		3050 × 1700 × 1950	3050 × 1700 × 1950	3350 × 1800 × 1950	3800 × 1950 × 2150	3800 × 2000 × 2150	3800 × 2150 × 2250	4050 × 2150 × 2250	4050 × 2150 × 2250	

## 2.water cooled low temperature refrigerant R507A

Model		HLGS-30LHGKA	HLGS-40LHGKA	HLGS-50LHGKA	HLGS-60LHGKA	HLGS-70LHGKA	HLGS-80LHGKA	HLGS-90LHGKA	HLGS-100LHGKA
Room		-15°C~-20°C/R507A							
Power supply		380V/3Ph/50HZ							
Compressor	Type	Screw compressor							
	Model	RC2-100B	RC2-140B	RC2-180B	RC2-230B	RC2-260B	RC2-310B	RC2-340B	RC2-370B
	Capacity control	66%-100%			50%-75%-100%				

Conde nser	Type		Shell and tube							
	Water flow(m³/h)		15	20	26	35	38	46	51	55
	Connection		Rp2-1/2	Rp2-1/2	Rp3	DN80	DN80	DN100	DN100	DN125
Cap.&i nput	Te -20°C	Cap(kw)	42.4	59	77.2	103.5	111.2	138.8	154.5	166.3
		Input (kw)	26.6	35.5	44.5	58.6	64	77	83.9	91.1
	Te -25°C	Cap(kw)	34.1	47.3	62	83.1	89.2	111.4	124	133.5
		Input (kw)	25.2	33.7	43.4	57.2	62.5	75.1	81.8	88.8
	Te -30°C	Cap(kw)	26.8	37.3	48.8	65.5	70.3	87.7	97.7	105.2
		Input (kw)	23.7	31.8	40.4	53.6	58.2	71	78	84.3
Conne ctions	Gas (mm)		φ54	φ54	φ67	φ76	φ76	φ76	φ108	φ108
	Liquid(mm)		φ22	φ22	φ28	φ28	φ28	φ35	φ35	φ35
Overall Size(L*W*H)(mm)			1900*1400*1200	1900*1400*1200	2150*1400*1200	2150*1550*1350	2600*1550*1400	2650*1550*1400	2650*1600*1450	2650*1600*1450

Model		HLGS2-60LHGKA	HLGS2-80LHGKA	HLGS2-100LHGKA	HLGS2-120LHGKA	HLGS2-140LHGKA	HLGS2-160LHGKA	HLGS2-180LHGKA	HLGS2-200LHGKA	
Room		-15~-20°C/R507A								
Power supply		380V/3Ph/50HZ								
Compr essor	Type		Screw compressor							
	Model		RC2-100B	RC2-140B	RC2-180B	RC2-230B	RC2-260B	RC2-310B	RC2-340B	RC2-370B
	Qty		2	2	2	2	2	2	2	2
Capacity control		33%-50%-66%-100%			25%-50%-75%-100%					
Conde nser	Type		Shell and tube							
	Water flow(m³/h)		30	41	52	69	75	92	102	110
	Connection		Rp3	DN80	DN100	DN125	DN125	DN150	DN150	DN150

Cap.&i nput	Te -20°C	Cap(kw)	84.8	118	154.4	207	222.4	277.6	309	332.6
		Input (kw)	53.2	71	89	117.2	128	154	167.8	182.2
	Te -25°C	Cap(kw)	68.2	94.6	124	166.2	178.4	222.8	248	267
		Input (kw)	50.4	67.4	86.8	114.4	125	150.2	163.6	177.6
Te -30°C	Cap(kw)	53.6	74.6	97.6	131	140.6	175.4	195.4	210.4	
	Input (kw)	47.4	63.6	80.8	107.2	116.4	142	156	168.6	
Conne ctions	Gas (mm)		φ35	φ35	φ42	φ42	φ42	φ54	φ54	φ54
Overall Size(L*W*H)(mm)			2600×1900×1750	2600×1950×1750	2600×2000×1950	2900×2100×2000	2900×2100×2000	3100×2200×2150	3400×2200×2250	3400×2200×2250

Model		HLGS3-90LHGKA	HLGS3-120LHGKA	HLGS3-150LHGKA	HLGS3-180LHGKA	HLGS3-210L	HLGS3-240LHGKA	HLGS3-270LHGKA	HLGS3-300LHGKA	
Room		-15~-20°C/R507A								
Power supply		380V/3Ph/50HZ								
Compr essor	Type		Screw compressor							
	Model		RC2-100B	RC2-140B	RC2-180B	RC2-230B	RC2-260B	RC2-310B	RC2-340B	RC2-370B
	Qty		3	3	3	3	3	3	3	3
Capacity control		33%-66%-100%			16%-33%-50%-66%-83% -100%					
Conde nser	Type		Shell and tube							
	Water flow(m³/h)		44	61	78	104	113	139	153	165
	Connection		DN100	DN125	DN125	DN150	DN150	DN150	DN200	DN200
Cap.&i nput	Te -20°C	Cap(kw)	127.2	177	231.6	310.5	333.6	416.4	463.5	498.9
		Input (kw)	79.8	106.5	133.5	175.8	192	231	251.7	273.3
	Te -25°C	Cap(kw)	102.3	141.9	186	249.3	267.6	334.2	372	400.5
		Input (kw)	75.6	101.1	130.2	171.6	187.5	225.3	245.4	266.4
Te -30°C	Cap(kw)	80.4	111.9	146.4	196.5	210.9	263.1	293.1	315.6	
	Input (kw)	71.1	95.4	121.2	160.8	174.6	213	234	252.9	
Conne ctions	Gas (mm)		2×φ76	2×φ76	2×φ89	2×φ108	2×φ108	2×φ108	2×φ133	2×φ133
	Liquid(mm)		φ35	φ42	φ54	φ54	φ54	φ67	φ67	φ67
Overall Size(L*W*H)(mm)			3150×1950×1750	3150×1950×1750	3350×2100×1950	3750×2200×2150	3750×2200	3750×2200×2250	3950×2200×2250	3950×2200×2250

### 3.evaporative high and medium temperature

Model		HLGZ-30MHGKA	HLGZ-40MHGKA	HLGZ-50MHGKA	HLGZ-60MHGKA	HLGZ-70MHGKA	HLGZ-80MHGKA	HLGZ-90MHGKA	HLGZ-100MHGKA	
Room		-5°C~8°C/R507A								
Power supply		380V/3Ph/50HZ								
Compressor	Type	Semi-Hermetic Screw								
	Model	RC2-100B	RC2-140B	RC2-180B	RC2-230B	RC2-260B	RC2-310B	RC2-340B	RC2-370B	
	Energy adjustment	66%-100%			50%-75%-100%					
Cap.&input	Te 0°C	Cap(kw)	83.3	115.8	151.7	203.4	218.4	272.5	303.4	326.7
		Input (kw)	25	33	41.6	54.8	59.8	72.1	78.6	85.4
	Te -5°C	Cap(kw)	68.4	95.1	124.5	166.9	179.3	223.7	249.1	268.2
		Input (kw)	24.1	31.8	40	52.8	57.6	69.4	75.6	82.2
	Te -10°C	Cap(kw)	55.6	77.2	101.1	135.6	145.6	181.7	202.3	217.8
		Input (kw)	23.1	30.5	38.3	50.6	55.2	66.5	72.5	78.7
Connections	Liquid dia.(mm)		φ54	φ54	φ67	φ76	φ76	φ76	φ108	φ108
	Gas out dia.(mm)		φ28	φ35	φ35	φ42	42	φ54	φ54	φ54
	Discharge(mm)		φ42	φ42	φ42	φ54	φ54	φ54	φ67	φ67
	Liquid in(mm)		φ35	φ35	φ35	φ42	φ42	φ54	φ54	φ54
Overall Size(L*W*H)(mm)		1950*900*1150	1950*900*1150	2250*900*1150	2250*900*1250	2250*900*1250	2550*950*1300	2550*950*1350	2550*950*1350	

Model		HLGZ2-60MHGKA	HLGZ2-80MHGKA	HLGZ2-100MHGKA	HLGZ2-120MHGKA	HLGZ2-140MHGKA	HLGZ2-160MHGKA	HLGZ2-180MHGKA	HLGZ2-200MHGKA
Room		-5°C~8°C/R507A							
Power supply		380V/3Ph/50HZ							
Compressor	Type	Semi-Hermetic Screw							
	Model	RC2-100B	RC2-140B	RC2-180B	RC2-230B	RC2-260B	RC2-310B	RC2-340B	RC2-370B
	Qty	2	2	2	2	2	2	2	2
Energy adjustment		33%-50%-66%-100%			25%-50%-75%-100%				

Cap.&input	Te 0°C	Cap(kw)	166.6	231.6	303.4	406.8	436.8	545	606.8	653.4
		Input (kw)	50	66	83.2	109.6	119.6	144.2	157.2	170.8
	Te -5°C	Cap(kw)	136.8	190.2	249	333.8	358.6	447.4	498.2	536.4
		Input (kw)	48.2	63.6	80	105.6	115.2	138.8	151.2	164.4
	Te -10°C	Cap(kw)	111.2	154.4	202.2	271.2	291.2	363.4	404.6	435.6
		Input (kw)	46.2	61	76.6	101.2	110.4	133	145	157.4
Connections	Liquid dia.(mm)		φ76steel pipe	φ89steel pipe	φ108	φ108	φ108	φ108	φ133	φ133
	Gas out dia.(mm)		φ42	φ42	φ54	φ54	φ67	φ67	φ67	φ67
	Discharge(mm)		φ54	φ54	φ76	φ76	φ76	φ76	φ108	φ108
	Liquid in(mm)		φ42	φ42	φ67	φ67	φ67	φ67	φ76	φ76
Overall Size(L*W*H)(mm)		2550×1700×1750	2550×1700×1750	2550×1700×1950	2850×1700×2000	2850×1750×2000	2850×1750×2000	3050×2100×2300	3050×2100×2300	

Model		HLGZ3-90MHGKA	HLGZ3-120MHGKA	HLGZ3-150MHGKA	HLGZ3-180MHGKA	HLGZ3-210MHGKA	HLGZ3-240MHGKA	HLGZ3-270MHGKA	HLGZ3-300MHGKA	
Room		-5°C~8°C/R507A								
Power supply		380V/3Ph/50HZ								
Compressor	Type	Semi-Hermetic Screw								
	Model	RC2-100B	RC2-140B	RC2-180B	RC2-230B	RC2-260B	RC2-310B	RC2-340B	RC2-370B	
	Qty	3	3	3	3	3	3	3	3	
Energy adjustment		33%-66%-100%			16%-33%-50%-66%-83% -100%					
Cap.&input	Te 0°C	Cap(kw)	249.9	347.4	455.1	610.2	655.2	817.5	910.2	980.1
		Input (kw)	75	99	124.8	164.4	179.4	216.3	235.8	256.2
	Te -5°C	Cap(kw)	205.2	285.3	373.5	500.7	537.9	671.1	747.3	804.6
		Input (kw)	72.3	95.4	120	158.4	172.8	208.2	226.8	246.6
	Te -10°C	Cap(kw)	166.8	231.6	303.3	406.8	436.8	545.1	606.9	653.4
		Input (kw)	69.3	91.5	114.9	151.8	165.6	199.5	217.5	236.1

Connections	Liquid dia.(mm)	2 × φ76 steel pipe	2 × φ76 steel pipe	2 × φ89	2 × φ108	2 × φ108	2 × φ108	2 × φ133	2 × φ133
	Gas out dia.(mm)	φ54	φ54	φ67	φ67	φ67	φ76	φ76	φ76
	Discharge(mm)	φ76	φ76	φ108	φ108	φ108	φ108	φ108	φ108
	Liquid in(mm)	φ67	φ67	φ76	φ76	φ76	φ89	φ89	φ89
Overall Size(L*W*H)(mm)	3050 × 1700 × 1950	3050 × 1700 × 1950	3300 × 1800 × 1950	3800 × 1800 × 2330	3800 × 1800 × 2330	3800 × 1900 × 2350	4000 × 1950 × 2350	4000 × 1950 × 2350	4000 × 1950 × 2350

#### 4.Evaporative condenser L/M temp.Racks R507A Refrigerant

Model	HLGZ-30LHGKA	HLGZ-40LHGKA	HLGZ-50LHGKA	HLGZ-60LHGKA	HLGZ-70LHGKA	HLGZ-80LHGKA	HLGZ-90LHGKA	HLGZ-100LHGKA	HLGZ-100LHGKA	
Room	-15~-20°C/R507A									
Power supply	380V/3Ph/50HZ									
Compressor	Type	Semi-Hermetic Screw								
	Model	RC2-100B	RC2-140B	RC2-180B	RC2-230B	RC2-260B	RC2-310B	RC2-340B	RC2-370B	RC2-370B
	Energy adjustment	66%-100%			50%-75%-100%					
Cap.&input	Te -20°C	Cap(kw)	45.1	62.6	82	109.9	118	147.3	164	176.6
		Input (kw)	24	31.6	39.4	52.1	57	68.3	74.3	80.8
	Te -25°C	Cap(kw)	36.4	50.6	66.3	88.9	95.4	119.1	132.6	142.8
		Input (kw)	23	30.8	38.5	50.9	55.5	66.7	72.5	79
	Te -30°C	Cap(kw)	28.9	40.2	52.6	70.5	75.7	94.5	105.2	113.3
		Input (kw)	21.7	29.2	37.2	49.8	53.6	65.4	71.2	77.2
Connections	Liquid dia.(mm)	φ54	φ54	φ67	φ76	φ76	φ76	φ108	φ108	
	Gas out dia.(mm)	φ22	φ22	φ28	φ28	φ28	φ35	φ35	φ35	
	Discharge(mm)	φ42	φ42	φ42	φ54	φ54	φ54	φ67	φ67	
	Liquid in(mm)	φ28	φ28	φ35	φ35	φ35	φ42	φ42	φ42	
Overall Size(L*W*H)(mm)	1900*1400*1200	1900*1400*1200	2200*1400*1200	2200*1450*1350	2200*1450*1350	2600*1500*1400	2600*1550*1450	2600*1550*1450	2600*1550*1450	

Model	HLGZ2-60LHGKA	HLGZ2-80LHGKA	HLGZ2-100LHGKA	HLGZ2-120LHGKA	HLGZ2-140LHGKA	HLGZ2-160LHGKA	HLGZ2-180LHGKA	HLGZ2-200LHGKA	HLGZ2-200LHGKA	
Room	-15~-20°C/R507A									
Power supply	380V/3Ph/50HZ									
Compressor	Type	Semi-Hermetic Screw								
	Model	RC2-100B	RC2-140B	RC2-180B	RC2-230B	RC2-260B	RC2-310B	RC2-340B	RC2-370B	RC2-370B
	Qty	2	2	2	2	2	2	2	2	
Energy adjustment	33%-50%-66%-100%				25%-50%-75%-100%					
Cap.&input	Te -20°C	Cap(kw)	90.2	125.2	164	219.8	236	294.6	328	353.2
		Input (kw)	48	63.2	78.8	104.2	114	136.6	148.6	161.6
	Te -25°C	Cap(kw)	72.8	101.2	132.6	177.8	190.8	238.2	265.2	285.6
		Input (kw)	46	61.6	77	101.8	111	133.4	145	158
	Te -30°C	Cap(kw)	57.8	80.4	105.2	141	151.4	189	210.4	226.6
		Input (kw)	43.4	58.4	74.4	99.6	107.2	130.8	142.4	154.4
Connections	Liquid dia.(mm)	φ76	φ89	φ108	φ108	φ108	φ108	φ133	φ133	
	Gas out dia.(mm)	φ35	φ35	42	42	φ42	φ54	φ54	φ54	
	Discharge(mm)	φ54	φ54	φ76	φ76	φ76	φ76	φ108	φ108	
	Liquid in(mm)	φ42	φ42	φ54	φ54	φ54	φ67	φ67	φ67	
Overall Size(L*W*H)(mm)	2950 × 1700 × 1750	2950 × 1700 × 1750	3000 × 1700 × 1950	3350 × 1700 × 2000	3350 × 1700 × 2000	3450 × 2000 × 2150	3650 × 2100 × 2300	3650 × 2100 × 2300	3650 × 2100 × 2300	

Model	HLGZ3-90LHGKA	HLGZ3-120LHGKA	HLGZ3-150LHGKA	HLGZ3-180LHGKA	HLGZ3-210LHGKA	HLGZ3-240LHGKA	HLGZ3-270LHGKA	HLGZ3-300LHGKA	HLGZ3-300LHGKA	
Room	-15~-20°C/R507A									
Power supply	380V/3Ph/50HZ									
Compressor	Type	Semi-Hermetic Screw								
	Model	RC2-100B	RC2-140B	RC2-180B	RC2-230B	RC2-260B	RC2-310B	RC2-340B	RC2-370B	RC2-370B
	Qty	3	3	3	3	3	3	3	3	
Energy adjustment	33%-66%-100%				16%-33%-50%-66%-83%-100%					

Cap.&input	Te -20°C	Cap(kw)	135.3	187.8	246	329.7	354	441.9	492	529.8
		Input (kw)	72	94.8	118.2	156.3	171	204.9	222.9	242.4
	Te -25°C	Cap(kw)	109.2	151.8	198.9	266.7	286.2	357.3	397.8	428.4
		Input (kw)	69	92.4	115.5	152.7	166.5	200.1	217.5	237
	Te -30°C	Cap(kw)	86.7	120.6	157.8	211.5	227.1	283.5	315.6	339.9
		Input (kw)	65.1	87.6	111.6	149.4	160.8	196.2	213.6	231.6
Connections	Liquid dia.(mm)		2 × φ76 steel pipe	2 × φ76 steel pipe	2 × φ89	2 × φ108	2 × φ108	2 × φ108	2 × φ133	2 × φ133
	Gas out dia.(mm)		φ35	φ42	φ42	φ54	φ54	φ67	φ67	φ67
	Discharge(mm)		φ76	φ76	φ76	φ108	φ108	φ108	φ108	φ108
	Liquid in(mm)		φ42	φ54	φ54	φ67	φ67	φ76	φ76	φ76
Overall Size(L*W*H)(mm)			3550 × 1700 × 1950	3550 × 1700 × 1950	3800 × 1800 × 1950	4350 × 2050 × 2330	4350 × 2050 × 2330	4350 × 2050 × 2350	4650 × 2100 × 2350	4650 × 2100 × 2350

Connections	Liquid dia.(mm)	φ54	φ54	φ67	φ76	φ76	φ76	φ108	φ108
	Gas out dia.(mm)	φ28	φ35	φ35	φ42	φ42	φ54	φ54	φ54
	Discharge(mm)	φ42	φ42	φ42	φ54	φ54	φ54	φ67	φ67
	Liquid in(mm)	φ35	φ35	φ35	φ42	φ42	φ54	φ54	φ54
Overall Size(L*W*H)(mm)		1950*900*1150	1950*900*1150	2250*900*1150	2250*900*1250	2250*900*1250	2550*950*1300	2550*950*1350	2550*950*1350

### 5.Air cooled M/H Temp Racks:R507A Refrigerant

Model		HLGF-30MHGKA	HLGF-40MHGKA	HLGF-50MHGKA	HLGF-60MHGKA	HLGF-70MHGKA	HLGF-80MHGKA	HLGF-90MHGKA	HLGF-100MHGKA	
Room		-5°C~8°C/R507A								
Power supply		380V/3Ph/50HZ								
Compressor	Type	Semi-Hermetic Screw								
	Model	RC2-100B	RC2-140B	RC2-180B	RC2-230B	RC2-260B	RC2-310B	RC2-340B	RC2-370B	
	Energy adjustment	66%-100%				50%-75%-100%				
Cap.&input	Te 0°C	Cap(kw)	68.6	95.4	124.9	167.4	179.7	224.3	249.7	268.9
		Input (kw)	30.3	40	50.3	66.4	72.5	87.3	95.2	103.4
	Te -5°C	Cap(kw)	55.6	77.3	101.2	135.7	145.7	181.9	202.5	218
		Input (kw)	29.1	38.4	48.3	63.7	69.6	83.8	91.4	99.3
	Te -10°C	Cap(kw)	44.6	61.9	81.1	108.7	116.7	145.7	162.2	174.7
		Input (kw)	27.8	36.7	46.2	61	66.5	80.2	87.4	94.9

Model		HLGF2-60MHGKA	HLGF2-80MHGKA	HLGF2-100MHGKA	HLGF2-120MHGKA	HLGF2-140MHGKA	HLGF2-160MHGKA	HLGF2-180MHGKA	HLGF2-200MHGKA	
Room		-5°C~8°C/R507A								
Power supply		380V/3Ph/50HZ								
Compressor	Type	Semi-Hermetic Screw								
	Model	RC2-100B	RC2-140B	RC2-180B	RC2-230B	RC2-260B	RC2-310B	RC2-340B	RC2-370B	
	Qty	2	2	2	2	2	2	2	2	
Energy adjustment		33%-50%-66%-100%				25%-50%-75%-100%				
Cap.&input	Te 0°C	Cap(kw)	137.2	190.8	249.8	334.8	359.4	448.6	499.4	537.8
		Input (kw)	60.6	80	100.6	132.8	145	174.6	190.4	206.8
	Te -5°C	Cap(kw)	111.2	154.6	202.4	271.4	291.4	363.8	405	436
		Input (kw)	58.2	76.8	96.6	127.4	139.2	167.6	182.8	198.6
	Te -10°C	Cap(kw)	89.2	123.8	162.2	217.4	233.4	291.4	324.4	349.4
		Input (kw)	55.6	73.4	92.4	122	133	160.4	174.8	189.8
Connections	Liquid dia.(mm)		φ76 steel pipe	φ89 steel pipe	φ108	φ108	φ108	φ108	φ133	φ133
	Gas out dia.(mm)		φ42	φ42	φ54	φ54	φ67	φ67	φ67	φ67
	Discharge(mm)		φ54	φ54	φ76	φ76	φ76	φ76	φ108	φ108
	Liquid in(mm)		φ42	φ42	φ67	φ67	φ67	φ67	φ76	φ76
Overall Size(L*W*H)(mm)		2550 × 1700 × 1750	2550 × 1700 × 1750	2550 × 1700 × 1950	2850 × 1700 × 2000	2850 × 1750 × 2000	2850 × 1750 × 2000	3050 × 2100 × 2300	3050 × 2100 × 2300	

Model		HLGF3-90MHGKA	HLGF3-120MHGKA	HLGF3-150MHGKA	HLGF3-180MHGKA	HLGF3-210MHGKA	HLGF3-240MHGKA	HLGF3-270MHGKA	HLGF3-300MHGKA	
Room		-5°C~8°C/R507A								
Power supply		380V/3Ph/50HZ								
Compressor	Type	Semi-Hermetic Screw								
	Model	RC2-100B	RC2-140B	RC2-180B	RC2-230B	RC2-260B	RC2-310B	RC2-340B	RC2-370B	
	Qty	3	3	3	3	3	3	3	3	
Energy adjustment		33%-66%-100%			16%-33%-50%-66%-83% -100%					
Cap.&input	Te 0°C	Cap(kw)	205.8	286.2	374.7	502.2	539.1	672.9	749.1	806.7
		Input (kw)	90.9	120	150.9	199.2	217.5	261.9	285.6	310.2
	Te -5°C	Cap(kw)	166.8	231.9	303.6	407.1	437.1	545.7	607.5	654
		Input (kw)	87.3	115.2	144.9	191.1	208.8	251.4	274.2	297.9
	Te -10°C	Cap(kw)	133.8	185.7	243.3	326.1	350.1	437.1	486.6	524.1
		Input (kw)	83.4	110.1	138.6	183	199.5	240.6	262.2	284.7
Connections	Liquid dia.(mm)	2 × φ76 steel pipe	2 × φ76 steel pipe	2 × φ89	2 × φ108	2 × φ108	2 × φ108	2 × φ133	2 × φ133	
	Gas out dia.(mm)	φ54	φ54	φ67	φ67	φ67	φ76	φ76	φ76	
	Discharge(mm)	φ76	φ76	φ108	φ108	φ108	φ108	φ108	φ108	
	Liquid in(mm)	φ67	φ67	φ76	φ76	φ76	φ89	φ89	φ89	
Overall Size(L*W*H)(mm)		3050 × 1700 × 1950	3050 × 1700 × 1950	3300 × 1800 × 1950	3800 × 1800 × 2330	3800 × 1800 × 2330	3800 × 1900 × 2350	4000 × 1950 × 2350	4000 × 1950 × 2350	

### 6.Air cooled L/M Temp Racks:R507A Refrigerant

Model		HLGF-30LHGKA	HLGF-40LHGKA	HLGF-50LHGKA	HLGF-60LHGKA	HLGF-70LHGKA	HLGF-80LHGKA	HLGF-90LHGKA	HLGF-100LHGKA
Room		-15~-20°C/R507A							
Power supply		380V/3Ph/50HZ							
Compressor	Type	Semi-Hermetic Screw							
	Model	RC2-100B	RC2-140B	RC2-180B	RC2-230B	RC2-260B	RC2-310B	RC2-340B	RC2-370B
	Energy adjustment	66%-100%			50%-75%-100%				

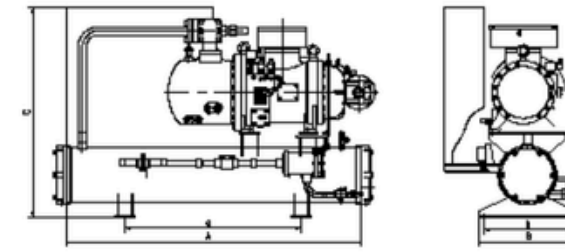
Cap.&input	Te -20°C	Cap(kw)	39.4	54.7	71.7	96.1	103.2	128.7	143.3	154.3
		Input (kw)	29.2	39.2	50.6	66.6	72.8	87.5	95.3	103.4
	Te -25°C	Cap(kw)	31.4	43.6	57.1	76.6	82.2	102.6	114.2	123
		Input (kw)	27.5	36.9	47	62.3	67.7	82.4	90.5	98.1
	Te -30°C	Cap(kw)	24.5	34.1	44.6	59.9	64.3	80.2	89.3	96.2
		Input (kw)	25.8	34.5	44	58.4	63.4	77.2	84.7	91.7
Connections	Liquid dia.(mm)	φ54	φ54	φ67	φ76	φ76	φ76	φ108	φ108	
	Gas out dia.(mm)	φ22	φ22	φ28	φ28	φ28	φ35	φ35	φ35	
	Discharge(mm)	φ42	φ42	φ42	φ54	φ54	φ54	φ67	φ67	
	Liquid in(mm)	φ28	φ28	φ35	φ35	φ35	φ42	φ42	φ42	
Overall Size(L*W*H)(mm)		1900*1400*1200	1900*1400*1200	2200*1400*1200	2200*1450*1350	2200*1450*1350	2600*1500*1400	2600*1550*1450	2600*1550*1450	

Model		HLGF2-60LHGKA	HLGF2-80LHGKA	HLGF2-100LHGKA	HLGF2-120LHGKA	HLGF2-140LHGKA	HLGF2-160LHGKA	HLGF2-180LHGKA	HLGF2-200LHGKA	
Room		-15~-20°C/R507A								
Power supply		380V/3Ph/50HZ								
Compressor	Type	Semi-Hermetic Screw								
	Model	RC2-100B	RC2-140B	RC2-180B	RC2-230B	RC2-260B	RC2-310B	RC2-340B	RC2-370B	
	Qty	2	2	2	2	2	2	2	2	
Energy adjustment		33%-50%-66%-100%			25%-50%-75%-100%					
Cap.&input	Te -20°C	Cap(kw)	78.8	109.4	143.4	192.2	206.4	257.4	286.6	308.6
		Input (kw)	58.4	78.4	101.2	133.2	145.6	175	190.6	206.8
	Te -25°C	Cap(kw)	62.8	87.2	114.2	153.2	164.4	205.2	228.4	246
		Input (kw)	55	73.8	94	124.6	135.4	164.8	181	196.2
	Te -30°C	Cap(kw)	49	68.2	89.2	119.8	128.6	160.4	178.6	192.4
		Input (kw)	51.6	69	88	116.8	126.8	154.4	169.4	183.4

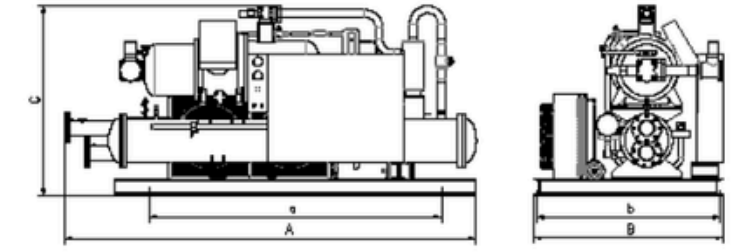
Connections	Liquid dia.(mm)	φ76steel pipe	φ89 steel pipe	φ108	φ108	φ108	φ108	φ133	φ133
	Gas out dia.(mm)	φ35	φ35	φ42	42	φ42	φ54	φ54	φ54
	Discharge(mm)	φ54	φ54	φ76	φ76	φ76	φ76	φ108	φ108
	Liquid in(mm)	φ42	φ42	φ54	φ54	φ54	φ67	φ67	φ67
Overall Size(L*W*H)(mm)	2950*1700*1750	2950*1700*1750	3000*1700*1950	3350×1700×2000	3350×1700×2000	3450×2000×2150	3650×2100×2300	3650×2100×2300	

Model	HLGF3-90LHGKA	HLGF3-120LHGKA	HLGF3-150LHGKA	HLGF3-180LHGKA	HLGF3-210LHGKA	HLGF3-240LHGKA	HLGF3-270LHGKA	HLGF3-300LHGKA		
Room	-15~-20°C/R507A									
Power supply	380V/3Ph/50HZ									
Compressor	Type	Semi-Hermetic Screw								
	Model	RC2-100B	RC2-140B	RC2-180B	RC2-230B	RC2-260B	RC2-310B	RC2-340B	RC2-370B	
	Qty	3	3	3	3	3	3	3	3	
Energy adjustment	33%-66%-100%				16%-33%-50%-66%-83 %-100%					
Cap.&input	Te -20°C	Cap(kw)	118.2	164.1	215.1	288.3	309.6	386.1	429.9	462.9
		Input (kw)	87.6	117.6	151.8	199.8	218.4	262.5	285.9	310.2
	Te -25°C	Cap(kw)	94.2	130.8	171.3	229.8	246.6	307.8	342.6	369
		Input (kw)	82.5	110.7	141	186.9	203.1	247.2	271.5	294.3
	Te -30°C	Cap(kw)	73.5	102.3	133.8	179.7	192.9	240.6	267.9	288.6
		Input (kw)	77.4	103.5	132	175.2	190.2	231.6	254.1	275.1
Connections	Liquid dia.(mm)	2×φ76 Steel pipe	2×φ76 Steel pipe	2×φ89 Steel pipe	2×φ108 Steel pipe	2×φ108	2×φ108	2×φ133	2×φ133	
	Gas out dia.(mm)	φ35	φ42	φ42	φ54	φ54	φ67	φ67	φ67	
	Discharge(mm)	φ76	φ76	φ76	φ108	φ108	φ108	φ108	φ108	
	Liquid in(mm)	φ42	φ54	φ54	φ67	φ67	φ76	φ76	φ76	
Overall Size(L*W*H)(mm)	3550×1700×1950	3550×1700×1950	3800×1800×1950	4350×2050×2330	4350×2050×2330	4350×2050×2350	4650×2100×2350	4650×2100×2350		

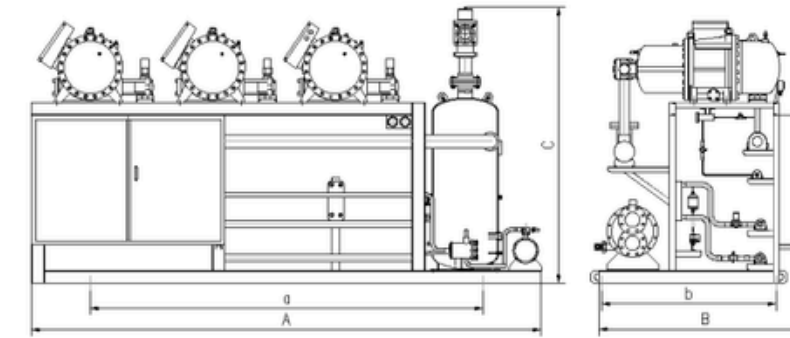
1) HLGS××MH with single compressor :



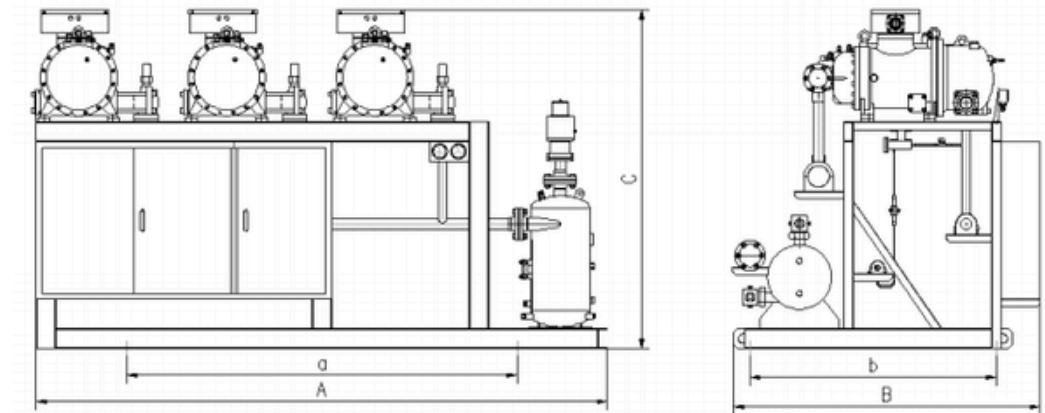
2) HLGS××LHwith single compressor :



1) HLGS×××Hwater cooled racks:



4) HLG (Z) ×××MH air cooled racks:



5) HLG (Z) ×××H air cooled racks:

