

包装机模具 MACHINE TOOLING BLISTER PACKAGING 专业定制

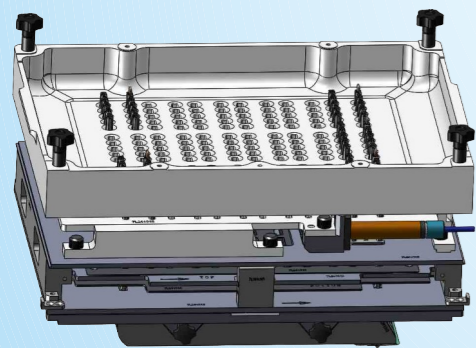
Customization in accordance with the individual demands of different customers.

www.dmpt.cn

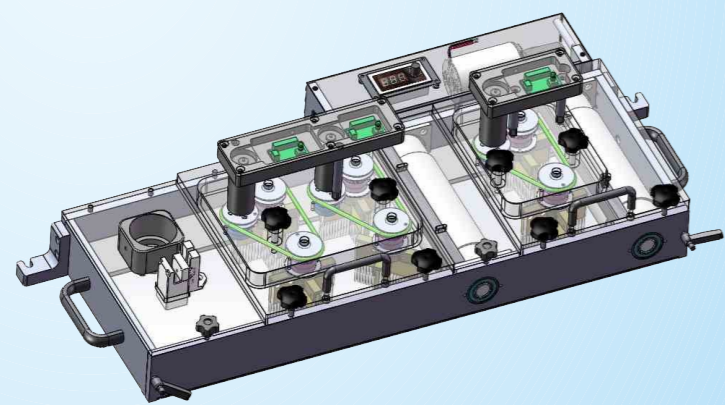


杭州德美制药技术有限公司
Hangzhou Demei Pharma Technology CO.,LTD.

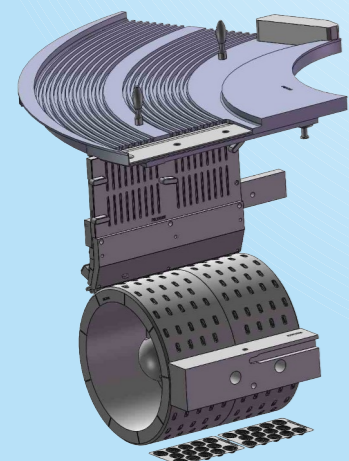
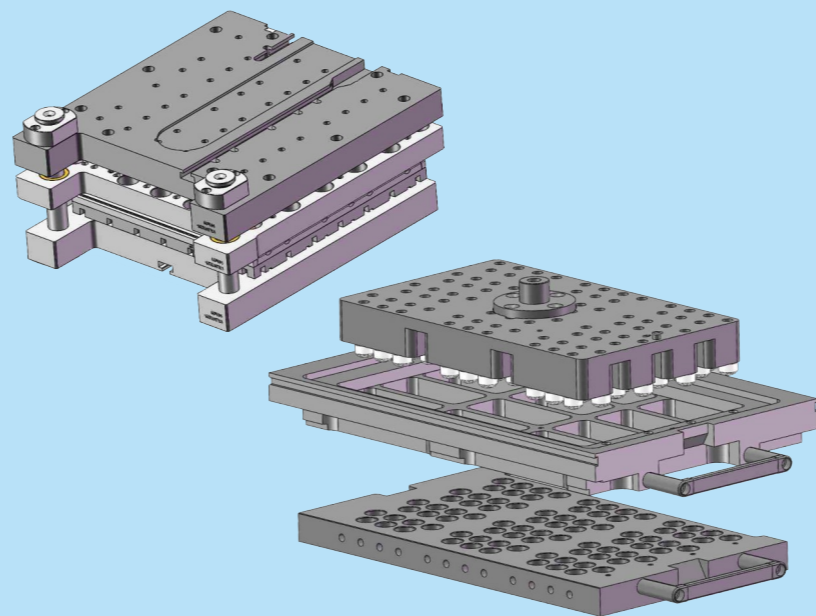
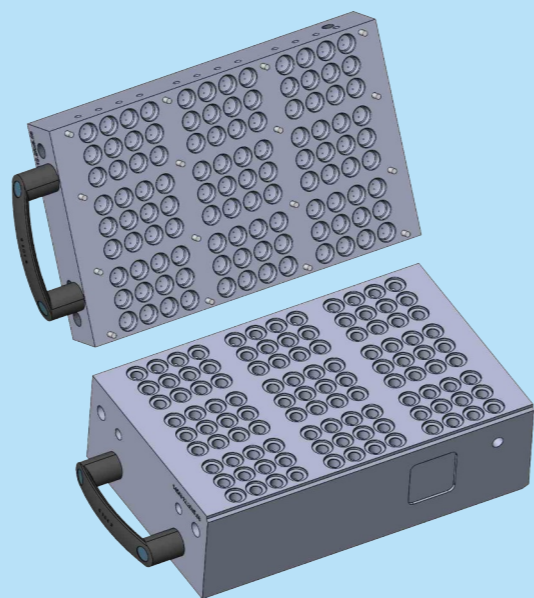
下料器 Feeder



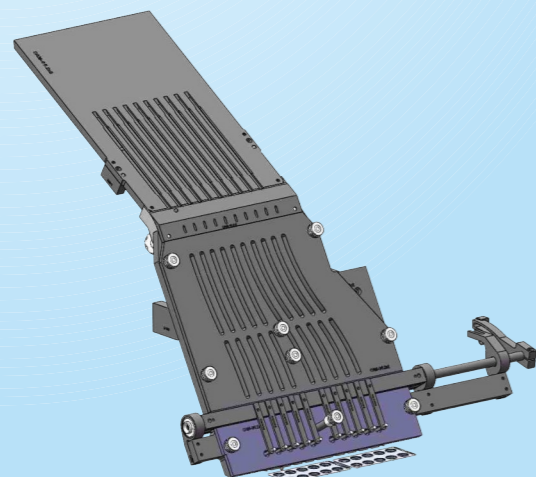
管式下料 Tube Feeder



毛刷下料 Brush Feeder

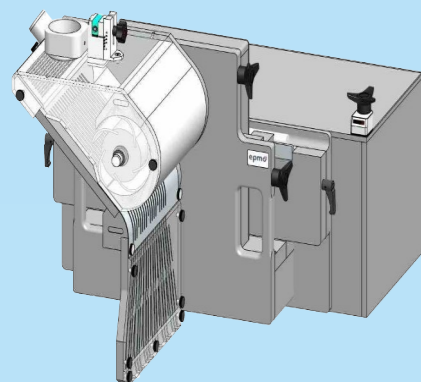


滚筒下料 Roller Feeder

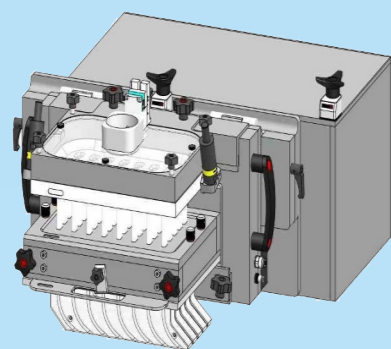


板式下料 Ramp Feeder

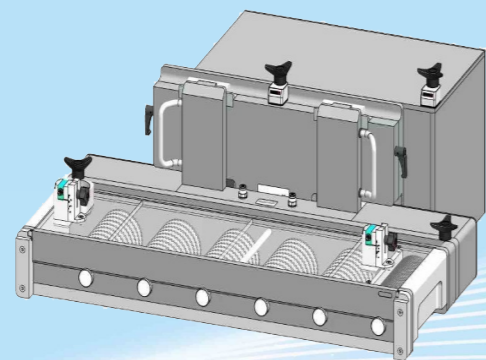
Combo下料装置 Combo Frame



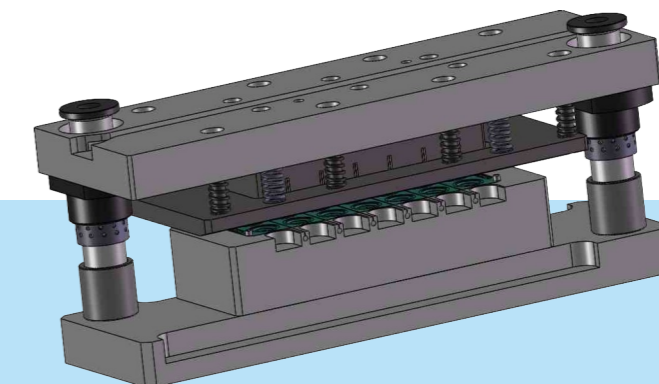
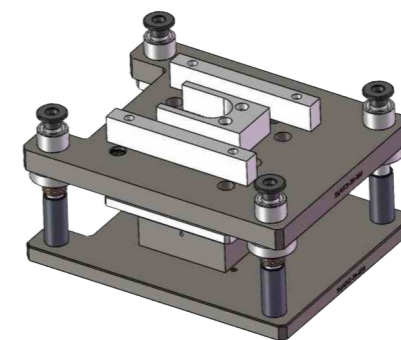
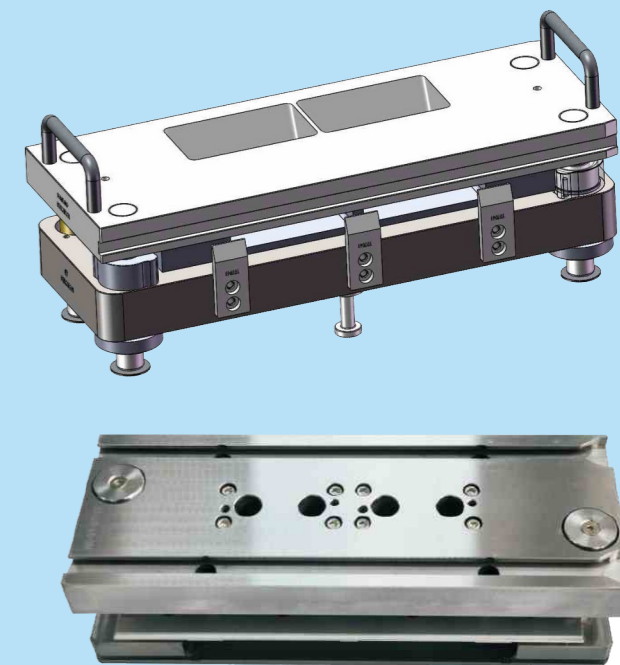
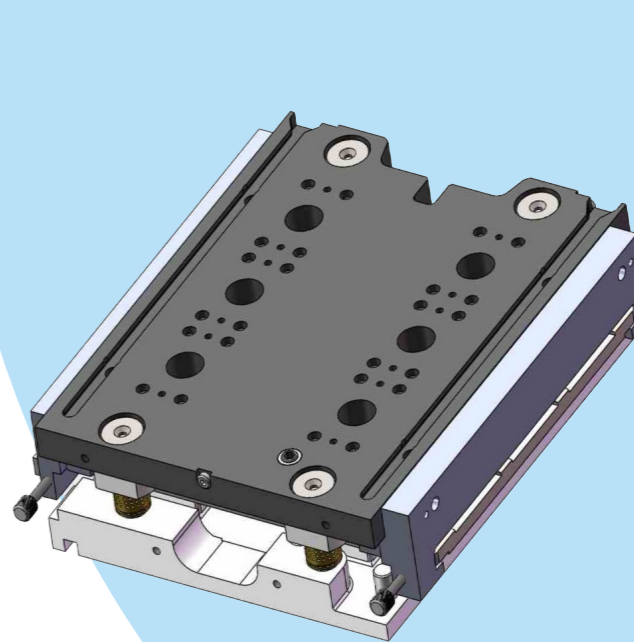
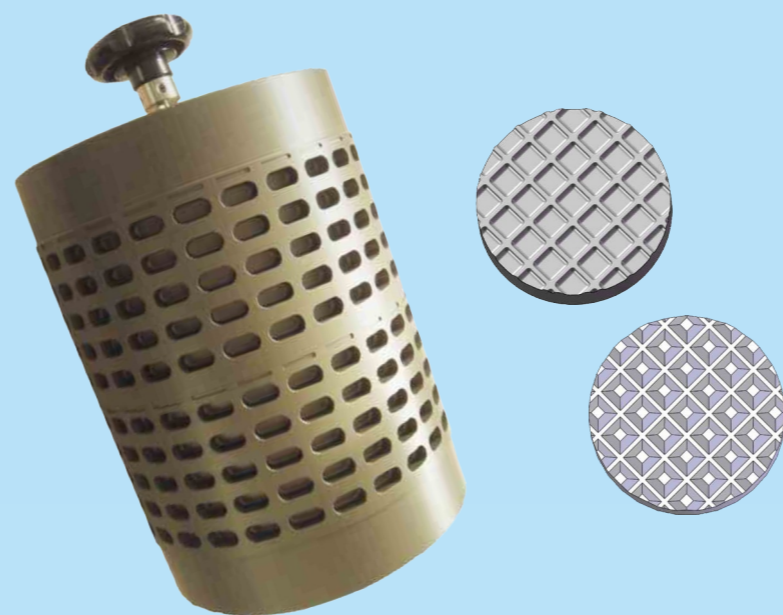
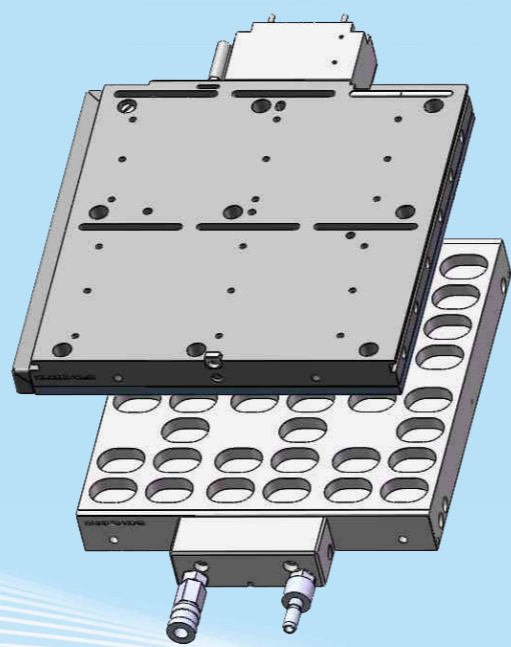
板式下料 Chute Feeder

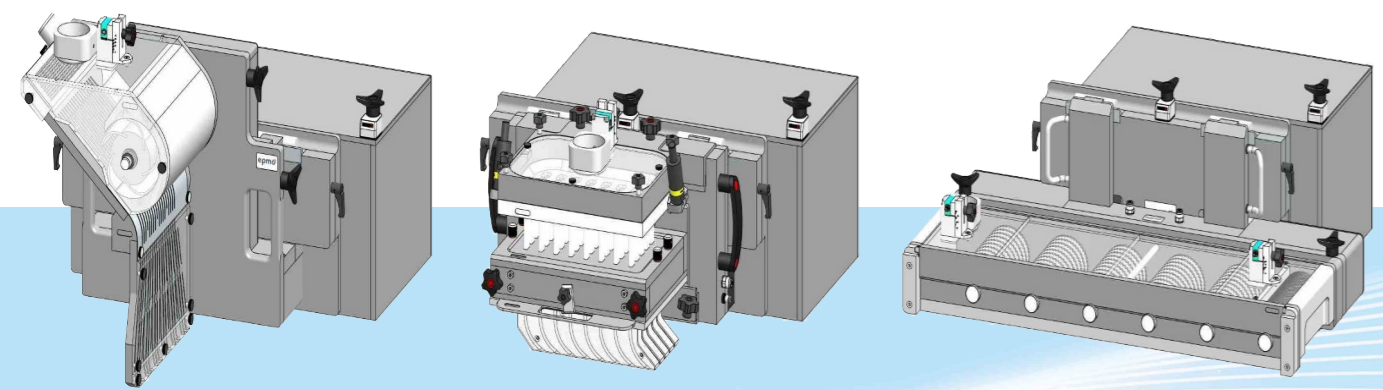
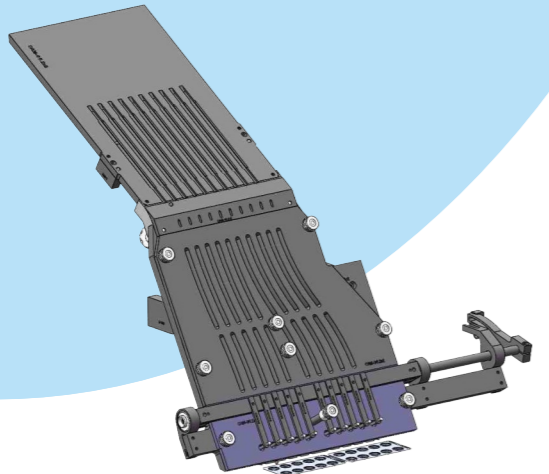
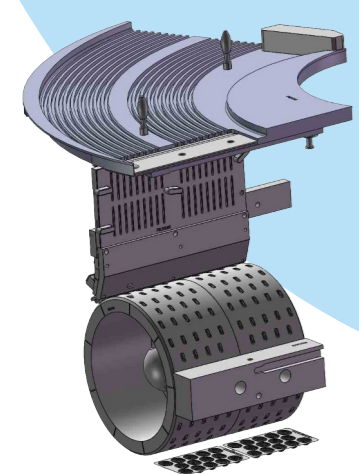
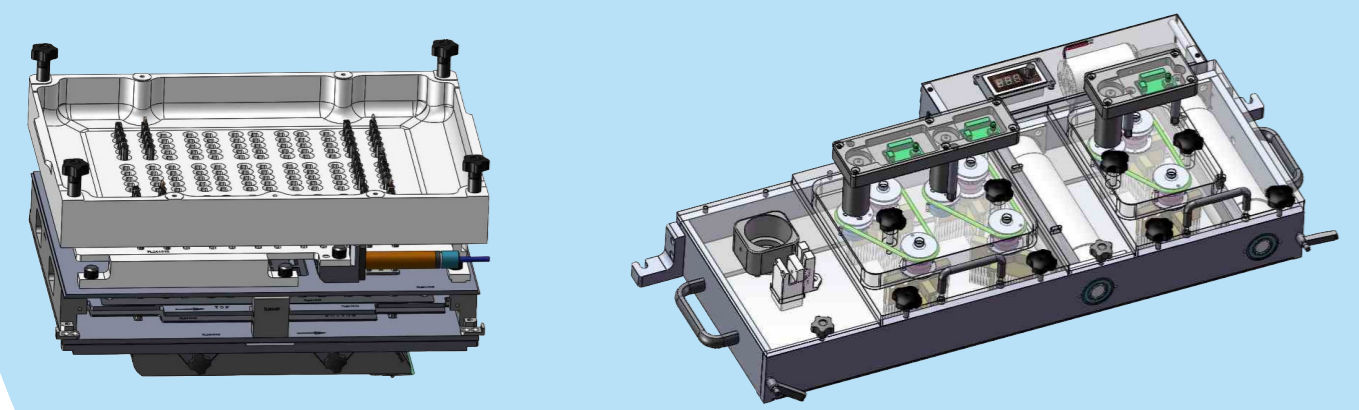


管式下料 Tube Feeder

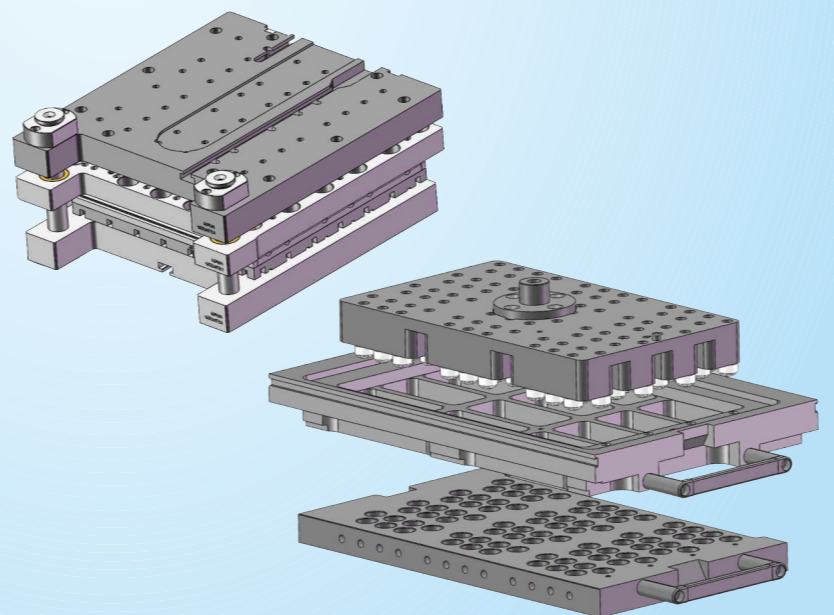
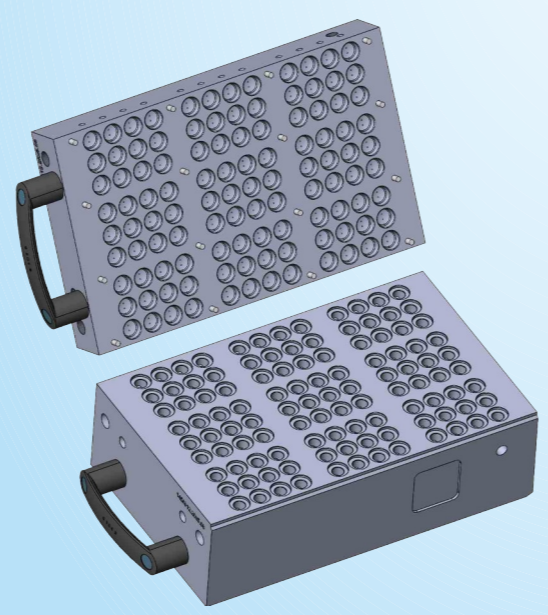


毛刷下料 Brush Feeder





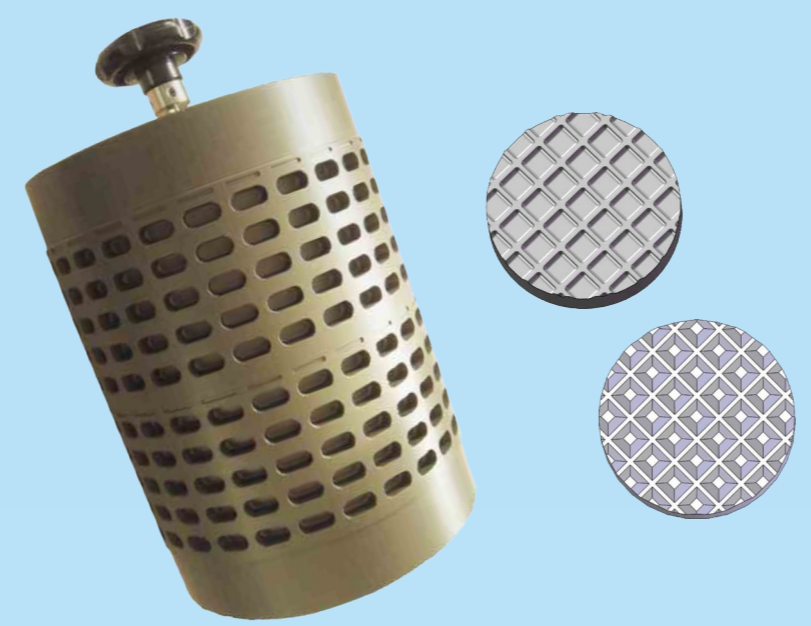
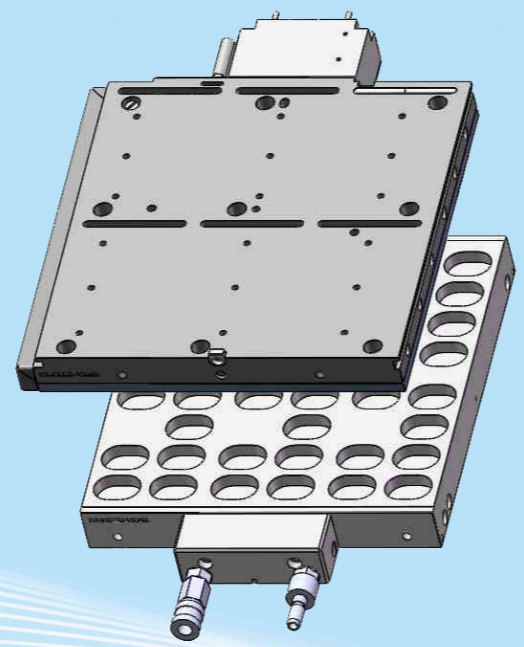
成型 Forming plate



热成型 Thermo Forming

冷成型 Cold Forming

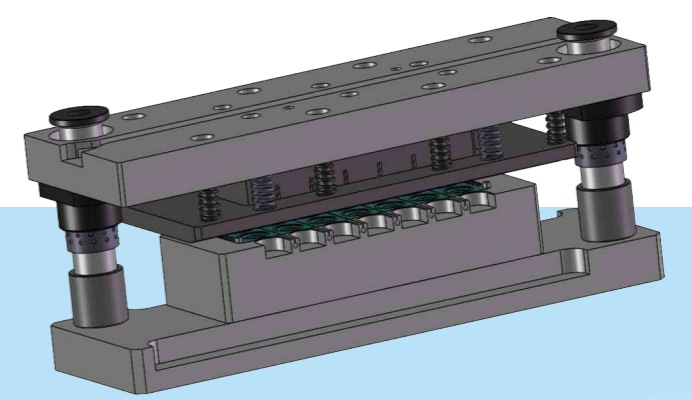
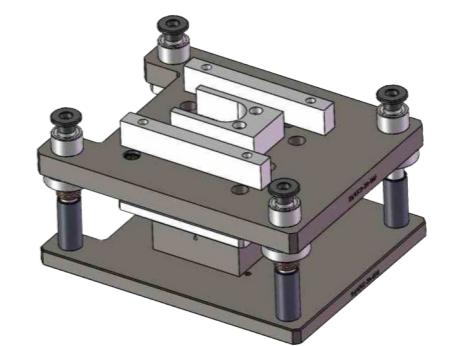
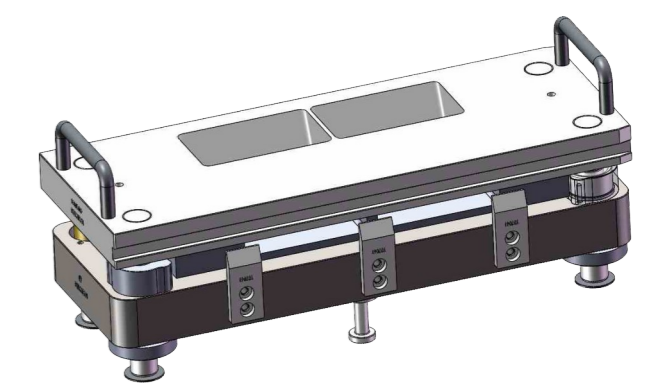
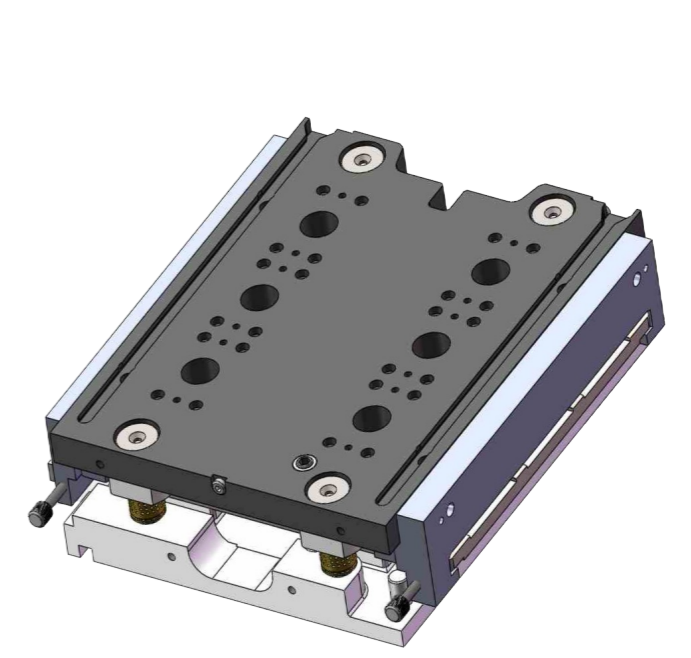
热封 Sealing plate

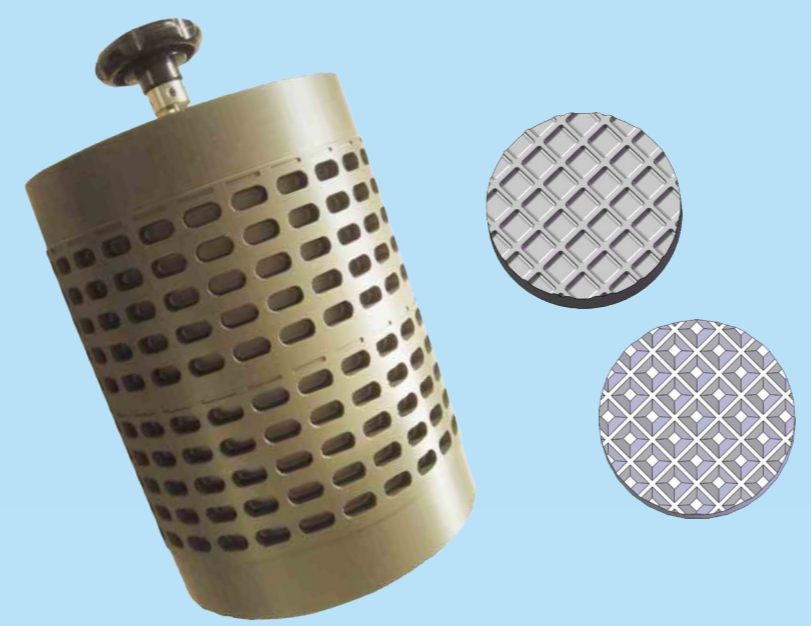
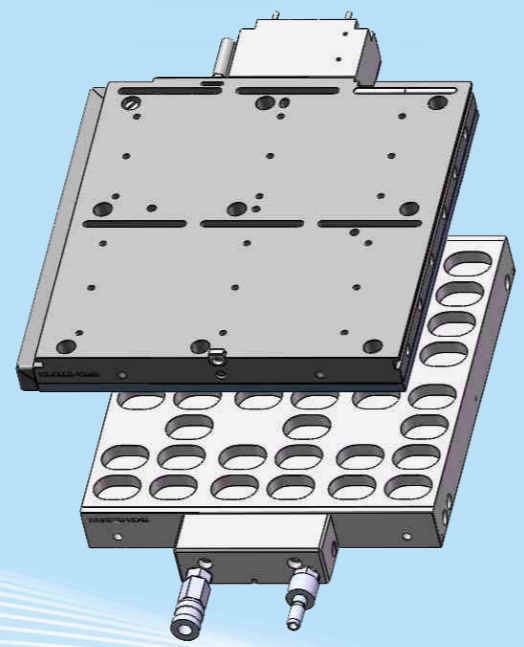
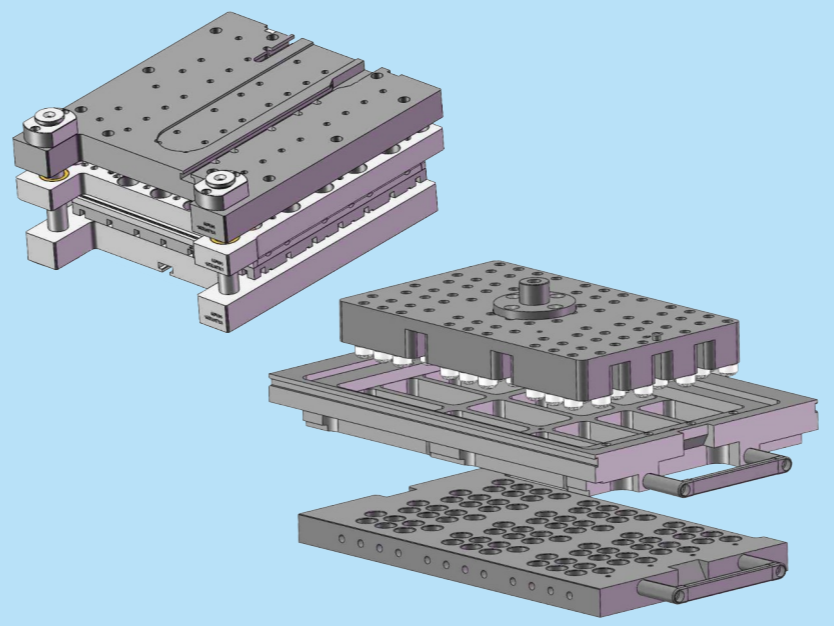
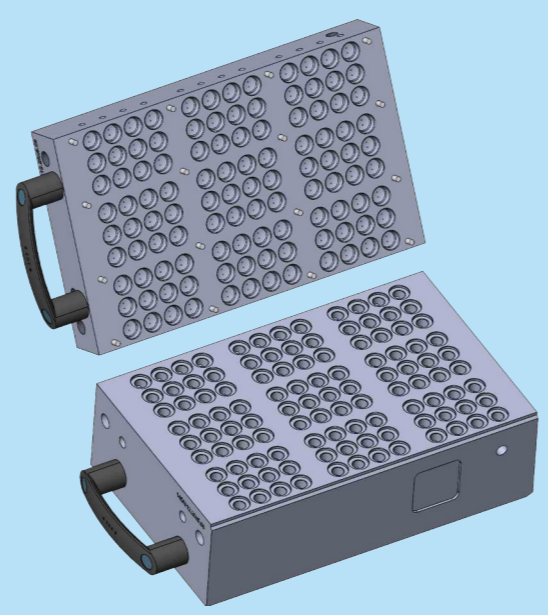
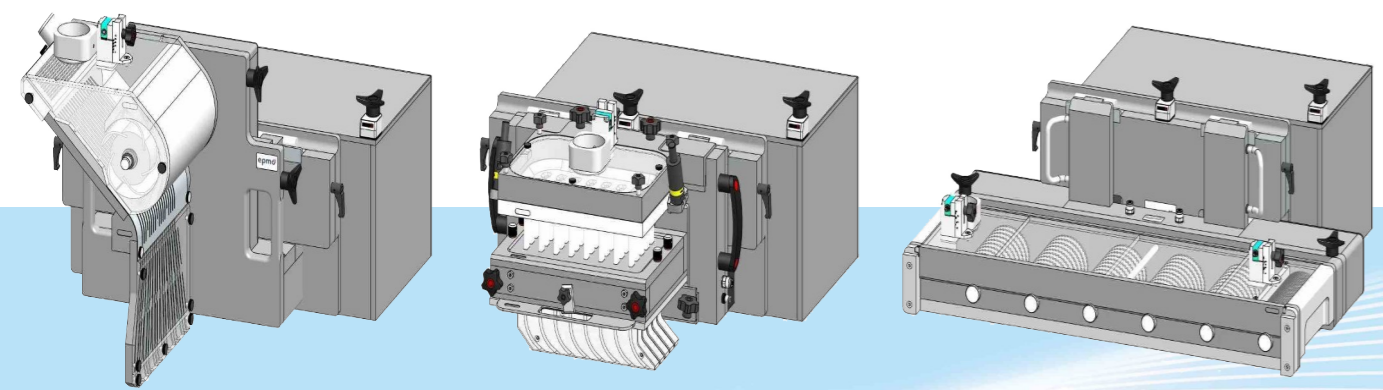
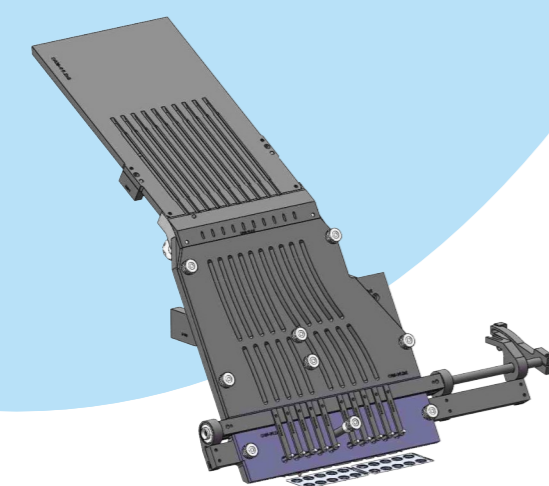
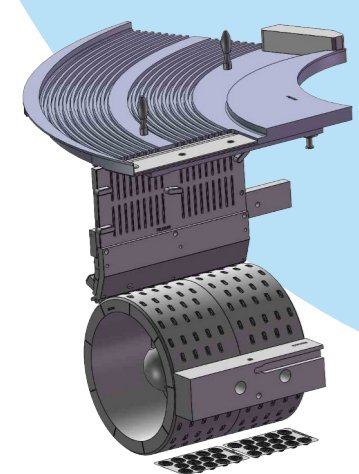
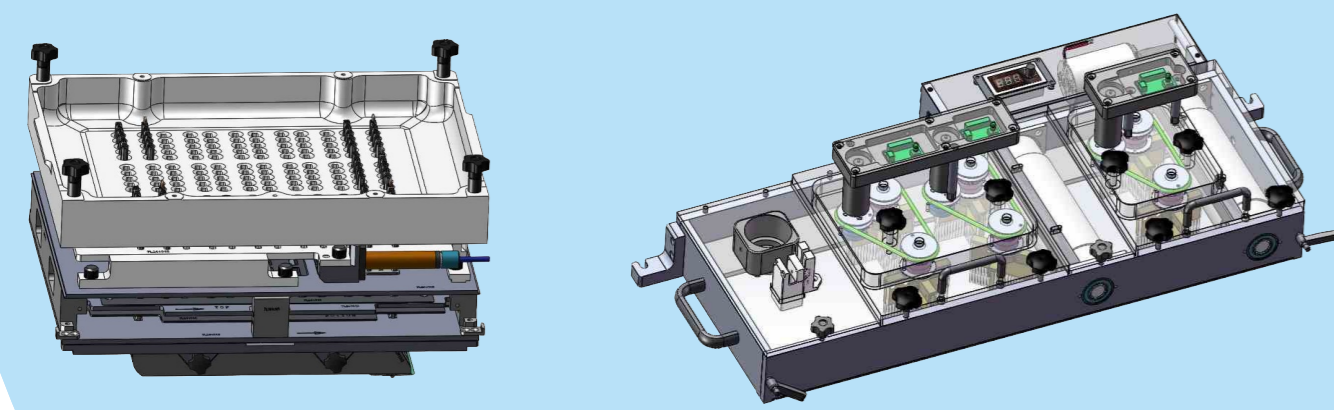


平板热封 Sealing Plate

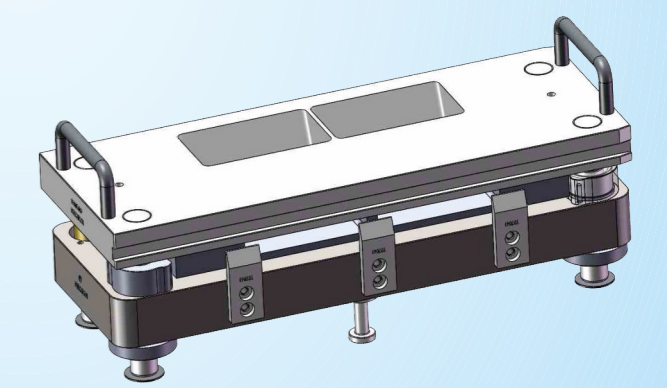
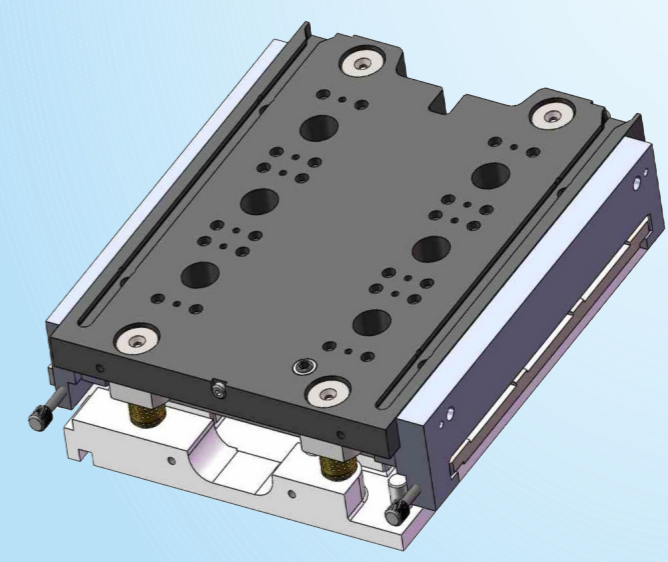
辊筒热封 Sealing Roller

网纹样式 Knurl Pattern



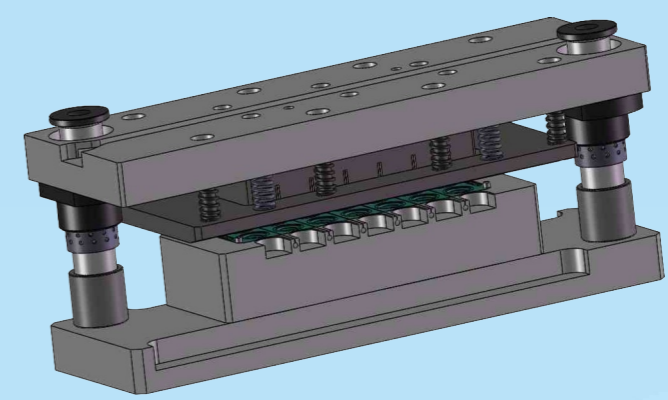
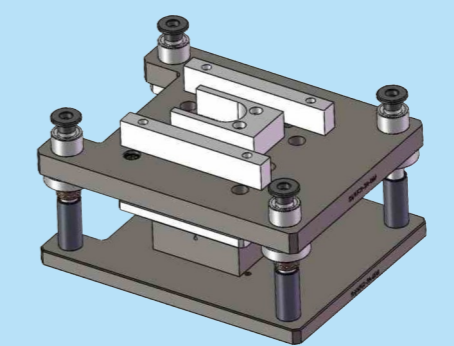


冲切 Punch Station



冲切 Punch Station

撕裂线 Perforation Station



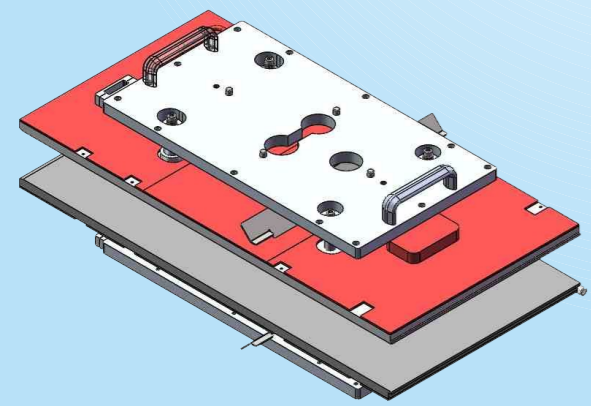
撕裂线 Perforation Station

外包模具及易损件 Cartoning Parts and Wearing Parts

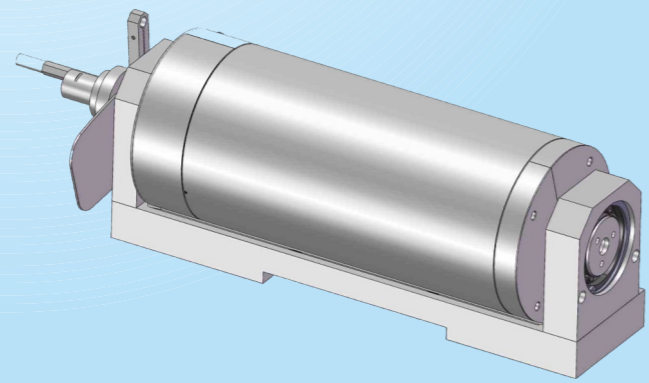


装盒机模具 Cartoning Parts

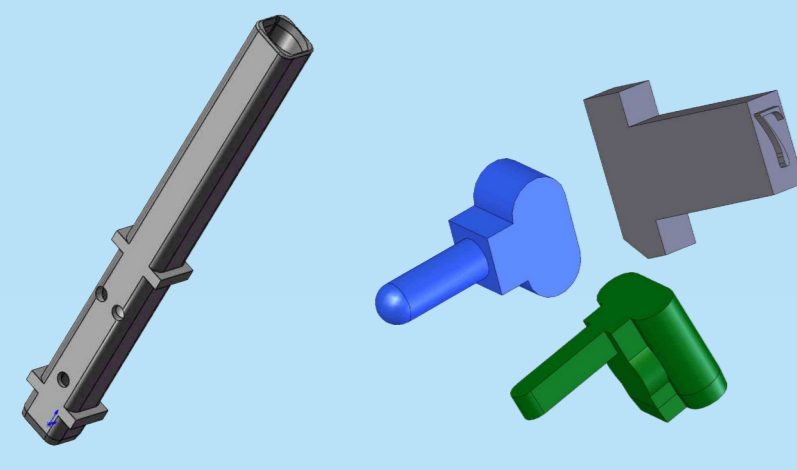
挡药叉 Cell divider



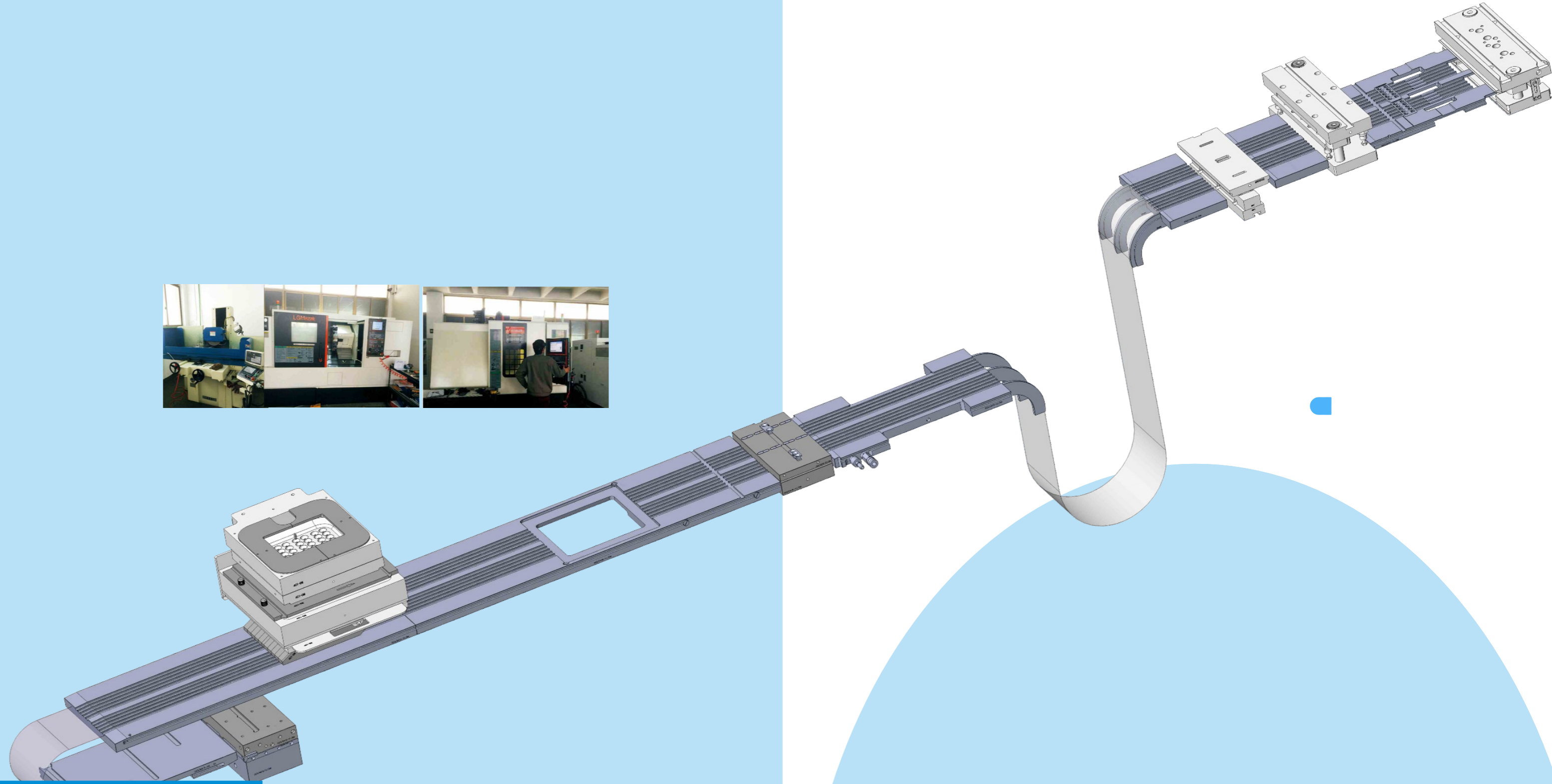
加热板 Heating Plate

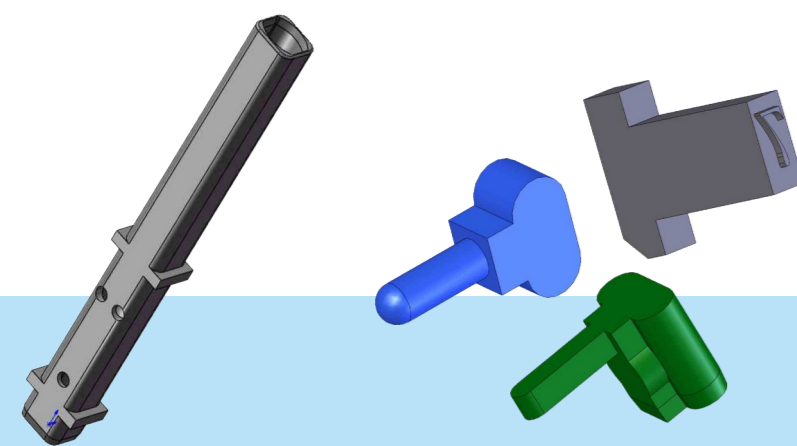
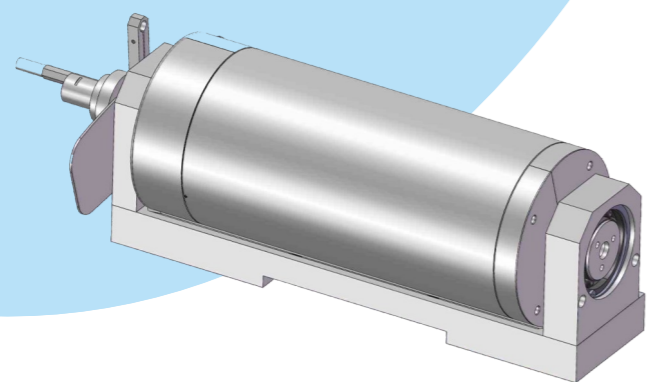
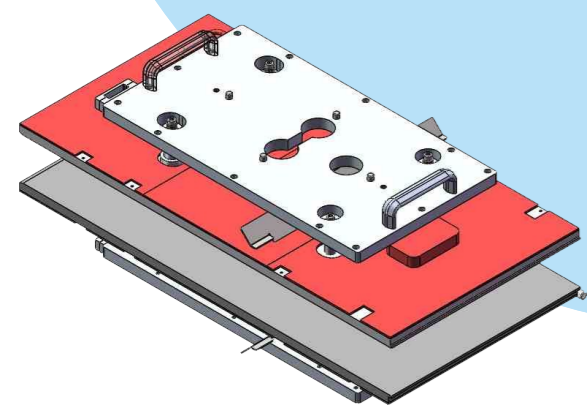


加热辊 Heating Roller



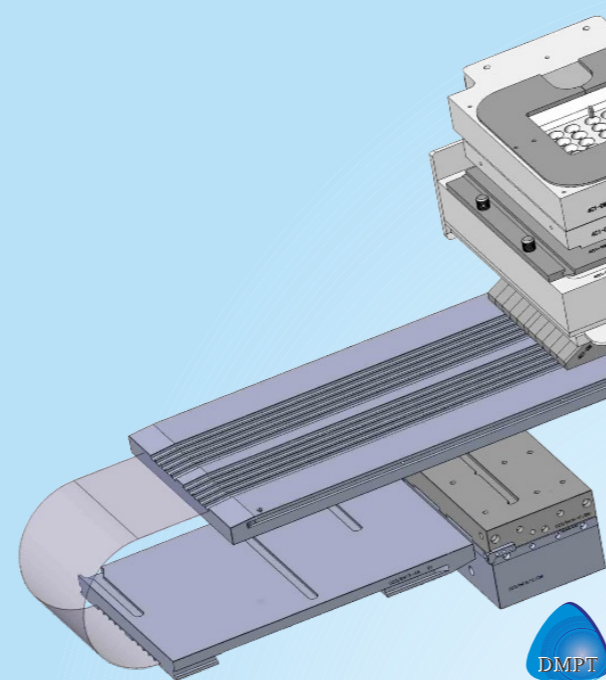
下料管 Tube 顶指 Stopper Finger 字钉 Coding Number/Letter 滤袋 Filter Bag





BLISTER PACKAGING MACHINE TOOLING

包装机模具·定制专家



杭州德美制药技术有限公司
Hangzhou Demei Pharma Technology CO.,LTD.

地址: 杭州西湖区西园三路10号1号楼101室
ADD: Rm. 101, Bldg. 1, No. 10 Xi Yuan San Road, Xihu District,
Hangzhou, Zhejiang, 310030, China
Tel: 0571-89715895
<http://www.dmpt.cn>

