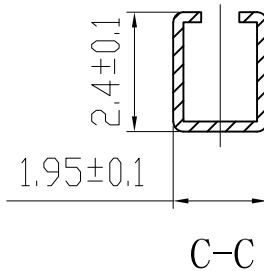
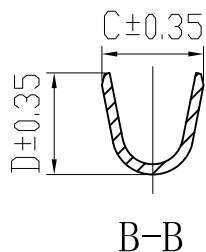
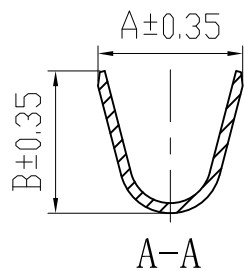
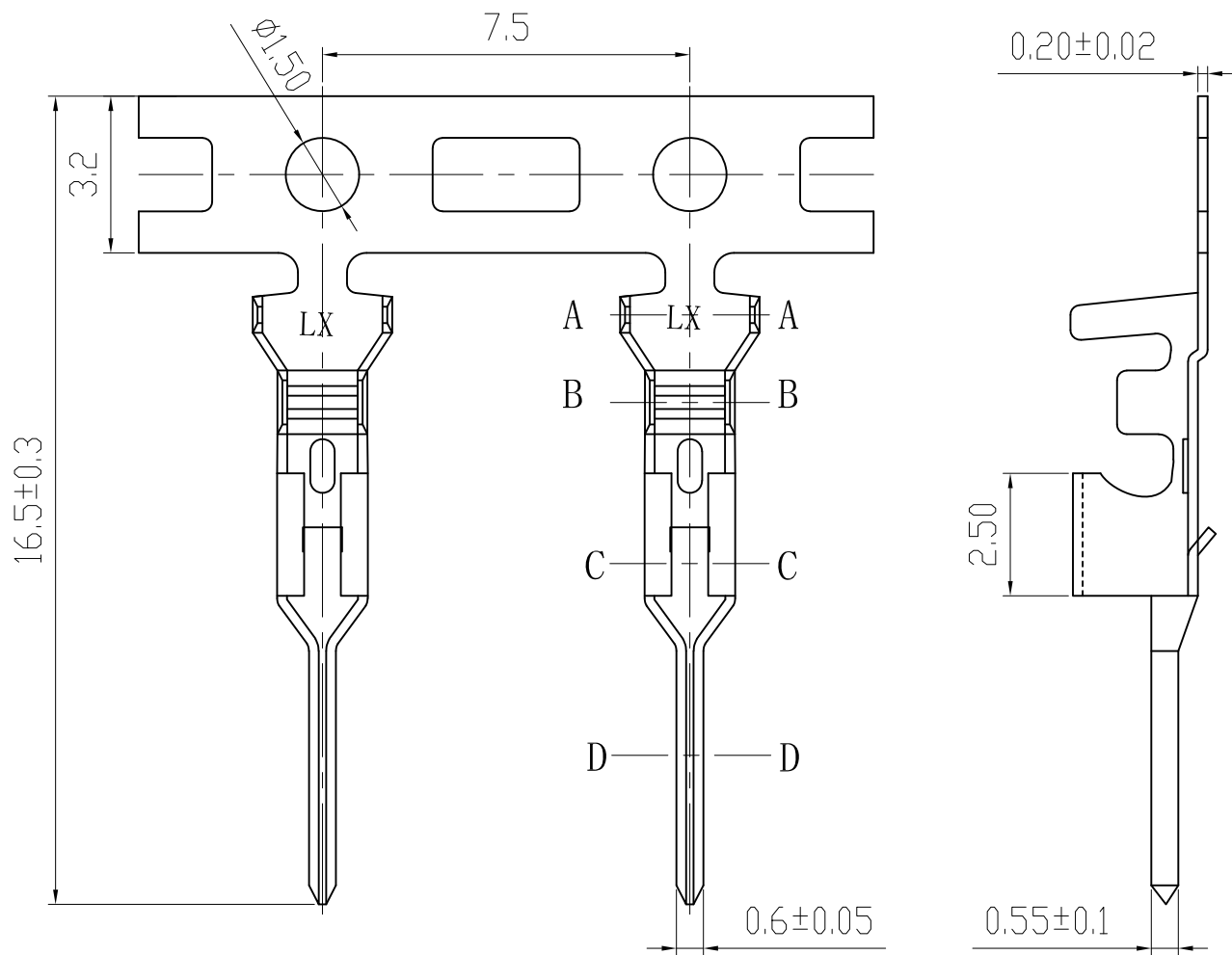


设计变更 REVISIONS

NO.	MARK	变更记录 DESCRIPTION	REV	DATE

备注 NOTES:

1. 材质 : 磷铜 T=0.20
Material: Bronze T=0.20
2. 镀层: 镍/锡
Plating: Ni/Tin
3. 额定电流 : 3.0A AC, DC
Current rating: 3.0A AC, DC
4. 接触电阻 : $\leq 20m\Omega$
Contact Resistance: $\leq 20m\Omega$
5. 适用线规: AWG#28 to #20
Apply to gauge: AWG#28 to #20
6. 适配塑壳: XMR-NV
Matched Housing: XMR-NV
7. 适用温度范围 : $-25^{\circ}C \sim +85^{\circ}C$
Applicable Temperature Range: $-25^{\circ}C \sim +85^{\circ}C$
8. 环保要求: RoHS/REACH
Environmental requirements: RoHS/REACH



产品规格 Part Model	产品名称 Name	产品料号 Part No	尺寸 Dimension				压接范围 Wire Range
			A	B	C	D	
L250005-01RT-N1	SXM-001T-P0.6	LX6N250005-02	2.85	2.80	1.75	1.45	AWG#22-28
L250005-02RT-N1	SXM-01T-P0.6	LX6N250005-01	2.60	2.80	2.00	2.00	AWG#24-20

未注公差范围 No tolerance range is noted		
***	± 0.05	$\pm 0.5^{\circ}$
**	± 0.15	$\pm 1^{\circ}$
*	± 0.20	$\pm 2^{\circ}$
.	± 0.30	$\pm 3^{\circ}$

linsine 温州市林鑫电子有限公司
WenZhou LinXin Electronics Co., Ltd.

制图 DRAWING	邓小芳	产品规格: PART MODEL:	L250005-***RT-N1
审核 AUDIT	吴晓平	产品名称: PRODUCT NAME:	SXM-***T-P0.6A
批准 APPD	赵成钢	产品料号: PART NO:	LX6N250005-***
		客户料号: CUSTOMER P/N:	
		发行日期 Release date:	2025. 5. 16

UNITS	SCALE	SHEET	REV
mm	1:1	1/1	A/1