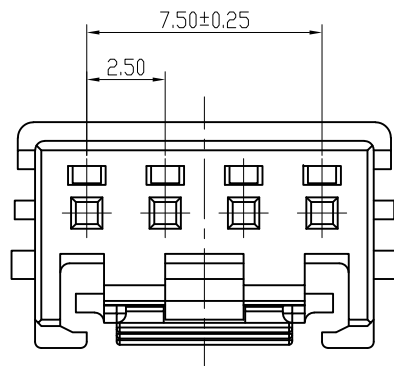
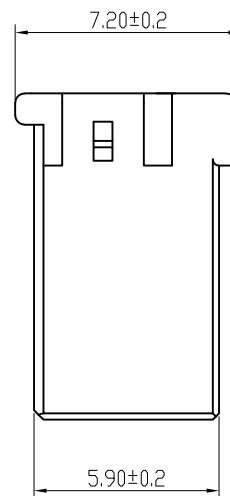
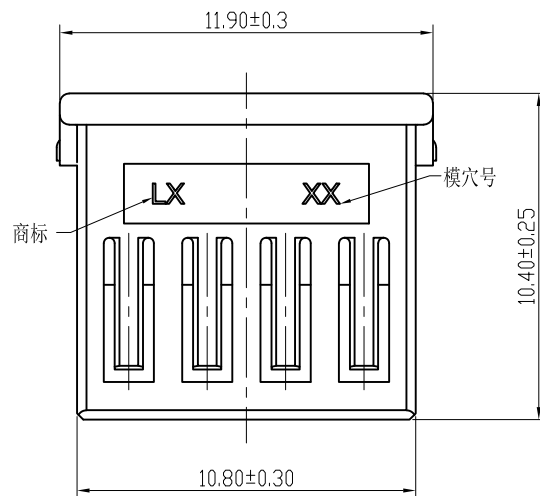
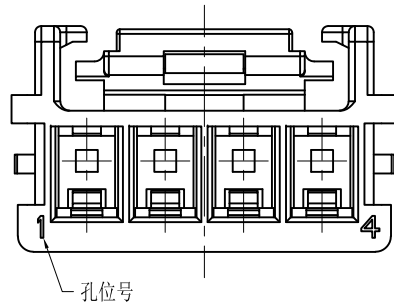


设计变更 REVISIONS				
NO.	MARK	变更记录 DESCRIPTION	REV	DATE

备注 NOTES:

1. 材质:PA66高阻燃 自然色
Material: PA66 high flame retardant natural color
2. 额定电压 :125V AC, DC
Voltage rating:125V AC, DC
3. 绝缘电阻:≥1000MΩ
Insulation resistance: ≥1000MΩ
4. 耐压:1250V.AC
Withstanding voltage: 1250V.AC
5. 适配端子:LX2517-T(L250085-02PT-N1)
Matched Terminal:LX2517-T(L250085-02PT-N1)
适配锁片: LX2517-4RST(L250085-A04S-AK)
Matched Retainer: LX2517-4RST(L250085-A04S-AK)
适配针座: LX2517-4A(L250087-A04A-A*)
Matched Wafer: LX2517-4A(L250087-A04A-A*)
6. 适用温度范围:-30℃~+105℃
Applicable Temperature Range: -30℃~+105℃
7. 环保要求:RoHS/REACH
Environmental Requirements:RoHS/REACH



未注公差范围 No tolerance range is noted		
.***	±0.05	±0.5°
**	±0.15	±1°
*	±0.20	±2°
.	±0.30	±3°

linsine 温州市林鑫电子有限公司
WenZhou LinXin Electronics Co.,Ltd.

制图 DRAWING	吴晓平	产品规格: PART MODEL:	L250085-A04P-AW
审核 AUDIT	邓小芳	产品名称: PRODUCT NAME:	LX2517-4Y
批准 APPD	赵成钢	产品料号: PART NO:	LX7A250W85-04
		客户料号: CUSTOMER P/N:	
		发行日期 Release date:	

UNITS	SCALE	SHEET	REV
mm	1:1	1/1	A/2