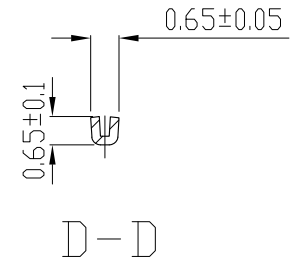
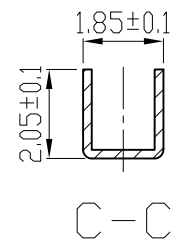
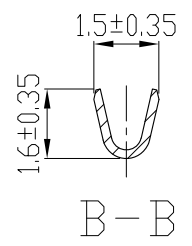
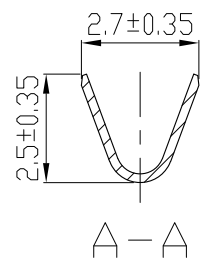
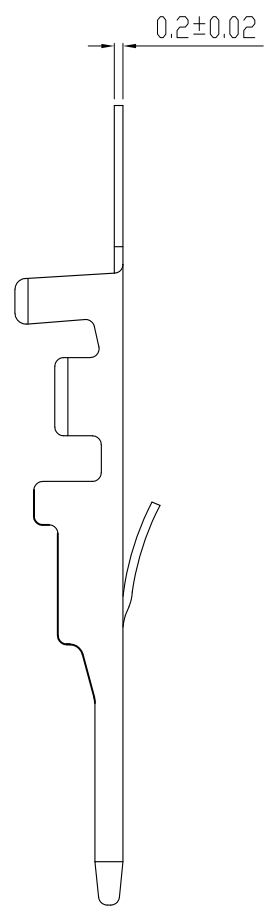
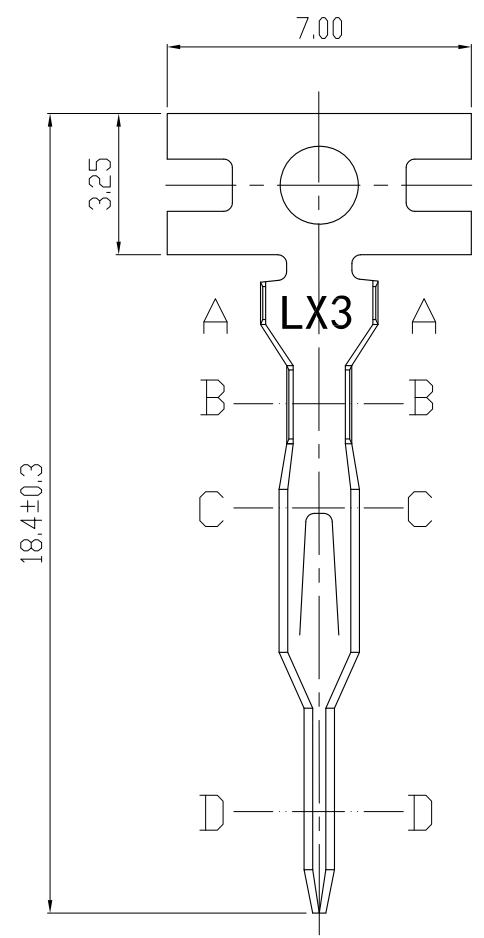


设计变更 REVISIONS

NO.	MARK	变更记录	DESCRIPTION	SIGN	DATE

备注 NOTES:

1. 材质 : 磷铜 T=0.2
Material: bronze T=0.2
2. 镀层: 镍/锡
Plating: Ni/Tin
3. 额定电流 : 3A AC, DC
Current rating: 3A AC, DC
4. 接触电阻 : $\leq 20m\Omega$
Contact Resistance: $\leq 20m\Omega$
5. 适用线规: AWG#28 to #22
Apply to gauge: AWG#28 to #22
6. 适配塑壳: L250007-ANR (LX25044-NR)
Matched Housing: L250007-ANR (LX25044-NR)
7. 适用温度范围 : $-25^{\circ}\text{C} \sim +85^{\circ}\text{C}$
Applicable Temperature Range: $-25^{\circ}\text{C} \sim +85^{\circ}\text{C}$
8. 环保要求: RoHS/REACH
Environmental requirements: RoHS/REACH



未注公差范围 No tolerance range is noted		
.***	±0.05	±0.5°
.**	±0.15	±1°
.*	±0.20	±2°
.	±0.30	±3°

制图 DRAWING	吴晓平	产品规格: PART MODEL:	L250007-02RT-NI
审核 AUDIT	邓小芳	产品名称: PRODUCT NAME:	25044-RT(插针)
批准 APPD	赵成钢	产品料号: PART NO:	LX6N250007-01
		客户料号: CUSTOMER P/N:	
		发行日期 Release date:	

linsine 温州市林鑫电子有限公司
WenZhou LinXin Electronics Co., Ltd.

UNITS	SCALE	SHEET	REV
mm	1:1	1/1	A/1