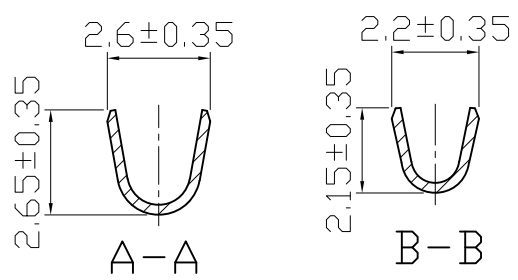
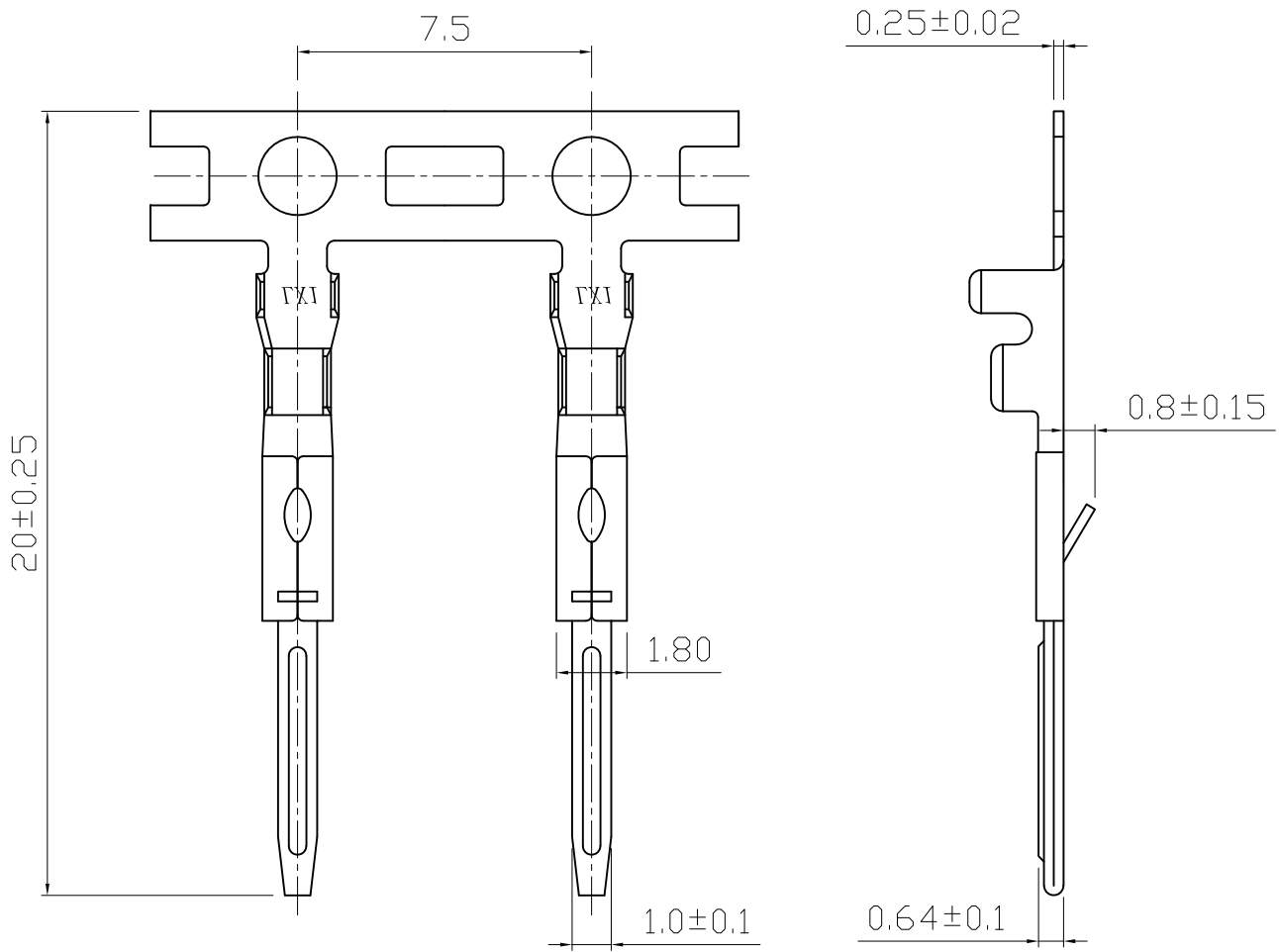


设计变更 REVISIONS				
NO.	MARK	变更记录 DESCRIPTION	REV	DATE

备注 NOTES:

1. 材质 : 磷铜 T=0.20  
Material: Bronze T=0.20
2. 镀层: 镍/锡  
Plating: Ni/Tin
3. 额定电流 : Max 3.0A AC, DC  
Current rating: Max 3.0A AC, DC
4. 接触电阻 :  $\leq 20\text{m}\Omega$   
Contact Resistance:  $\leq 20\text{m}\Omega$
5. 适用线规: AWG#30 to #22  
Apply to gauge: AWG#30 to #22
6. 适配端子: L250013-NPT (SHF-001 (2) T-0.8BS)  
Matched Terminal: L250013-NPT (SHF-001 (2) T-0.8BS)
7. 适配塑壳: L250013-ANR (SM-NR)  
Matched Housing: L250013-ANR (SM-NR)
8. 适用温度范围 :  $-25^{\circ}\text{C} \sim +85^{\circ}\text{C}$   
Applicable Temperature Range:  $-25^{\circ}\text{C} \sim +85^{\circ}\text{C}$
9. 环保要求: RoHS/REACH  
Environmental requirements: RoHS/REACH



未注公差范围 No tolerance range is noted		
.***	±0.05	±0.5°
.**	±0.15	±1°
.*	±0.20	±2°
.	±0.30	±3°

**linsine** 温州市林鑫电子有限公司  
WenZhou LinXin Electronics Co., Ltd.

制图 DRAWING	邓小芳	产品规格: PART MODEL:	L250013-02RT-N1
审核 AUDIT	吴晓平	产品名称: PRODUCT NAME:	SM-A针/SYM-001T-P0.6
批准 APPD	赵成钢	产品料号: PART NO:	LX6N250013-01
		客户料号: CUSTOMER P/N:	
		发行日期 Release date:	
		UNITS	SCALE
		mm	1:1
		SHEET	1/1
		REV	A/1