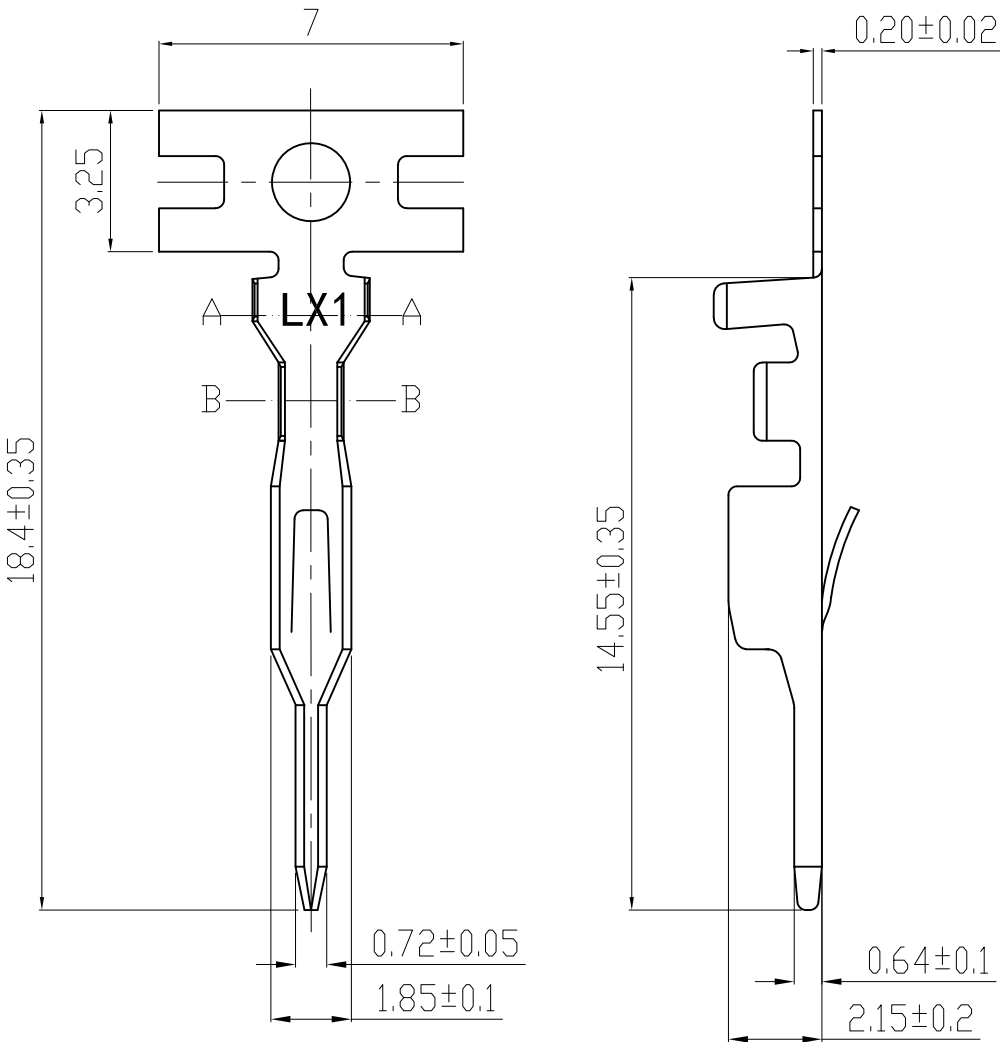
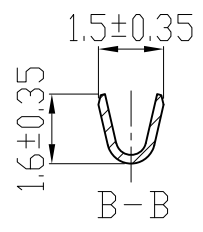
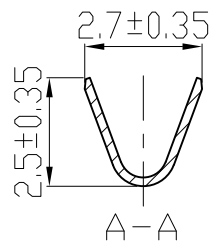


设计变更 REVISIONS				
NO.	MARK	变更记录 DESCRIPTION	SIGN	DATE



- 备注 NOTES:
1. 材质 : 磷铜 T=0.2
Material: bronze T=0.2
 2. 镀层: 镍/锡
Plating: Ni/Tin
 3. 额定电流 : 3A AC, DC
Current rating: 3A AC, DC
 4. 接触电阻 : $\leq 20\text{m}\Omega$
Contact Resistance: $\leq 20\text{m}\Omega$
 5. 适用线规: AWG#28 to #22
Apply to gauge: AWG#28 to #22
 6. 适配塑壳: LX25045-*A 系列塑壳
Matched Housing: LX25045-*A Series plastic shell
 7. 适用温度范围 : $-25^{\circ}\text{C} \sim +85^{\circ}\text{C}$
Applicable Temperature Range: $-25^{\circ}\text{C} \sim +85^{\circ}\text{C}$
 8. 环保要求: RoHS/REACH
Environmental requirements: RoHS/REACH



未注公差范围 No tolerance range is noted			Linsine 温州市林鑫电子有限公司 WenZhou LinXin Electronics Co., Ltd.			
***	±0.05	±0.5°	产品规格: L250009-02RT-N1 PART MODEL: 产品名称: 25045-TP(插针) PRODUCT NAME: 产品料号: LX6N250009-01 PART NO: 客户料号: CUSTOMER P/N: 发行日期: 2025. 4. 24 Release date:			
**	±0.15	±1°				
*	±0.20	±2°				
.	±0.30	±3°				
制 图 DRAWING	邓小芳		UNITS	SCALE	SHEET	REV
审 核 AUDIT	吴晓平		mm	1:1	1/1	B/3
批 准 APPD	赵成钢					