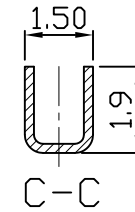
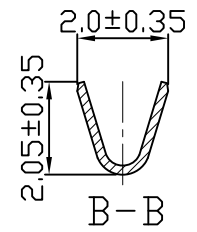
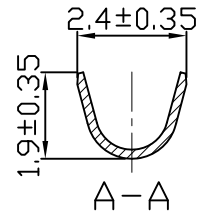
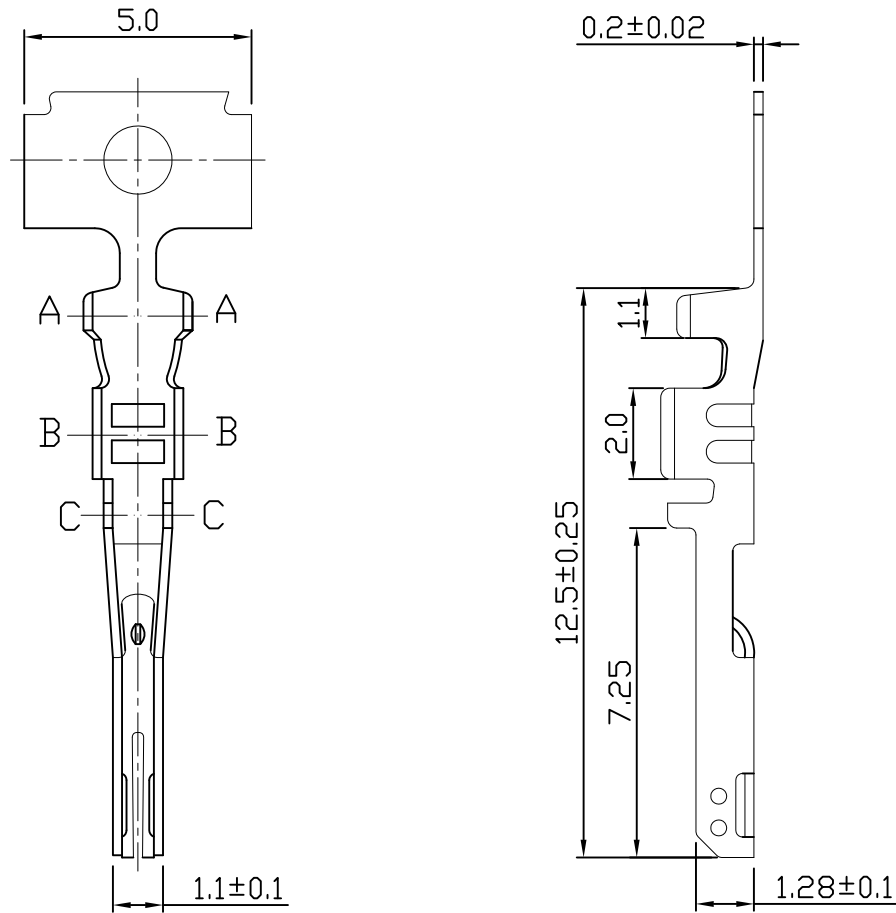


设计变更 REVISIONS

NO.	MARK	变更记录 DESCRIPTION	REV	DATE



备注 NOTES:

1. 材质 Material:高导铜 T=0.2 (High conductivity copper T=0.2)
2. 表面处理 Surface treatment:电镀镍底表面镀锡
Nickel plating with tinned bottom surface
3. 额定电流 Current rating: 4.0A AC, DC
4. 额定电压 Voltage rating: 250V AC, DC
5. 接触电阻 Contact Resistance: $\leq 10\text{m}\Omega$ 初始 (Initial)
6. 绝缘电阻 Insulation resistance: $\geq 1000\text{M}\Omega$
7. 耐压 Withstanding voltage: 1500V.AC
8. 端子与塑胶保持力 Terminal with plastic holding force: $\geq 10\text{N}$
9. 适用线规 Apply to gauge: AWG#26-#22, 绝缘外径 Insulation O.D.: 1.6mm Max
10. 适用温度范围 Applicable Temperature Range: $-25^{\circ}\text{C} \sim +85^{\circ}\text{C}$

未注公差范围 No tolerance range is noted		
***	± 0.05	$\pm 0.5^{\circ}$
**	± 0.15	$\pm 1^{\circ}$
*	± 0.20	$\pm 2^{\circ}$
.	± 0.30	$\pm 3^{\circ}$

LX温州市林鑫电子有限公司
WenZhou LinXin Electronic Co.,Ltd

制图 DRAWING	邓小芳	产品名称: PRODUCT NAME:	105300-2100
审核 AUDIT	吴晓平	产品料号: PART NO:	LX6N250024-01
批准 APPD	罗尚润	客户料号: CUSTOMER P/N:	
		发行日期 Release date:	



UNITS	SCALE	SHEET	REV
mm	1:1	1/1	A/0