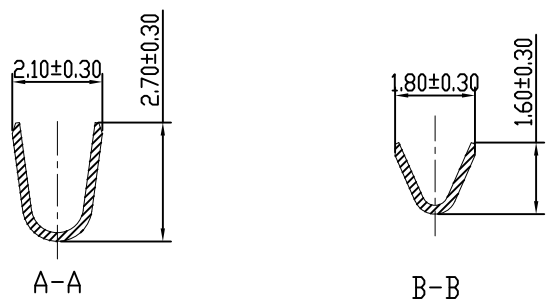
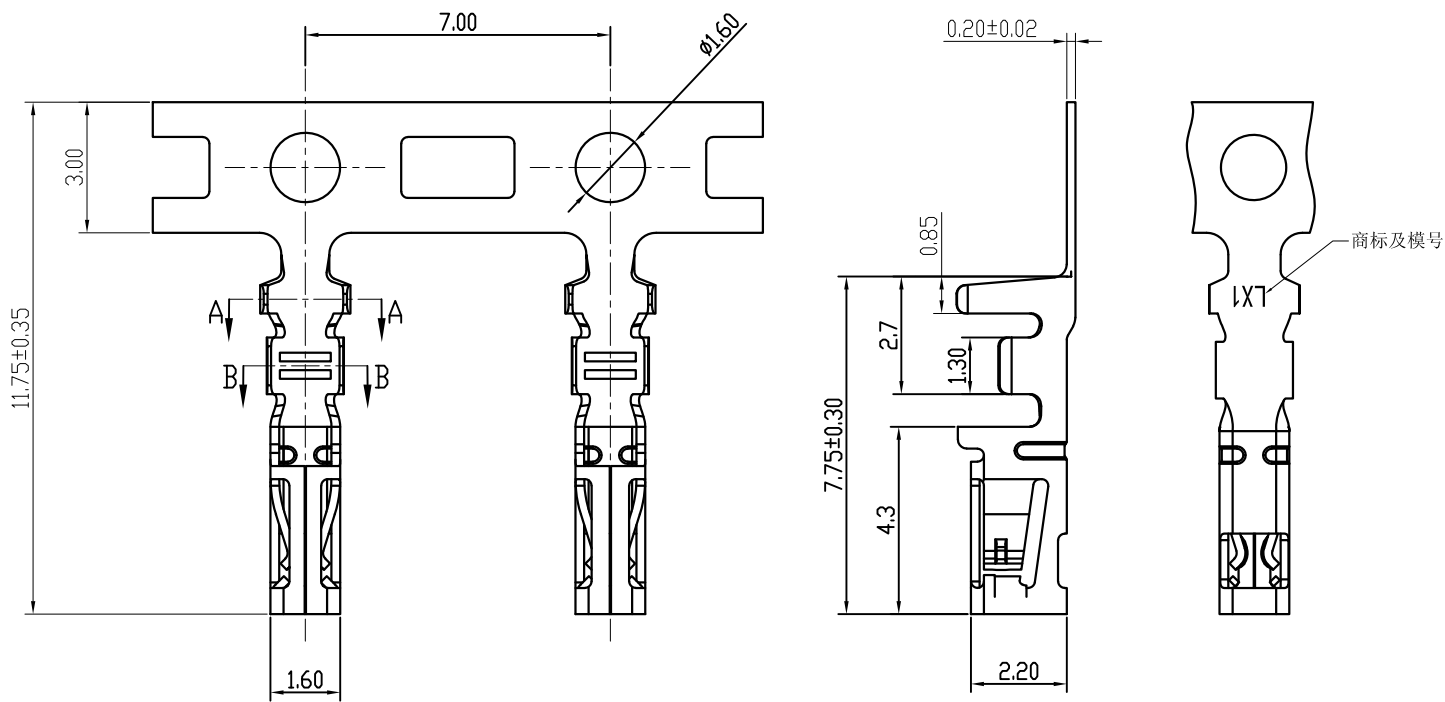


设计变更 REVISIONS

NO.	MARK	变更记录 DESCRIPTION	REV	DATE

备注 NOTES:

1. 材质:磷铜 T=0.2
Material: Phosphorus Copper T=0.2
2. 表面处理:镍/锡
Surface Treatment: Ni/Tin
3. 额定电流: 3.0A AC/DC
Current rating: 3.0A AC/DC
4. 接触电阻: $\leq 10m\Omega$
Contact Resistance: $\leq 10m\Omega$
5. 适配塑件: LX2517-NY (L250085-ANP-AW)
Matched HSG: LX2517-NY (L250085-ANP-AW)
6. 适用线规: AWG26#~AWG22#
Apply To Gauge: AWG26#~AWG22#
7. 适用温度范围: $-30^{\circ}C \sim +105^{\circ}C$
Applicable Temperature Range: $-30^{\circ}C \sim +105^{\circ}C$
8. 环保要求: RoHS/REACH
Environmental Requirements: RoHS/REACH



未注公差范围 No tolerance range is noted		
.***	±0.05	±0.5°
.**	±0.15	±1°
.*	±0.20	±2°
.	±0.30	±3°

linsine 温州市林鑫电子有限公司
WenZhou LinXin Electronics Co., Ltd.

制图 DRAWING	吴晓平	产品规格: PART MODEL:	L250085-02PT-N1
审核 AUDIT	邓小芳	产品名称: PRODUCT NAME:	LX2517-T
批准 APPD	赵成钢	产品料号: PART NO:	LX6N250085-01
		客户料号: CUSTOMER P/N:	
		发行日期 Release date:	

UNITS	SCALE	SHEET	REV
mm	1:1	1/1	A/1