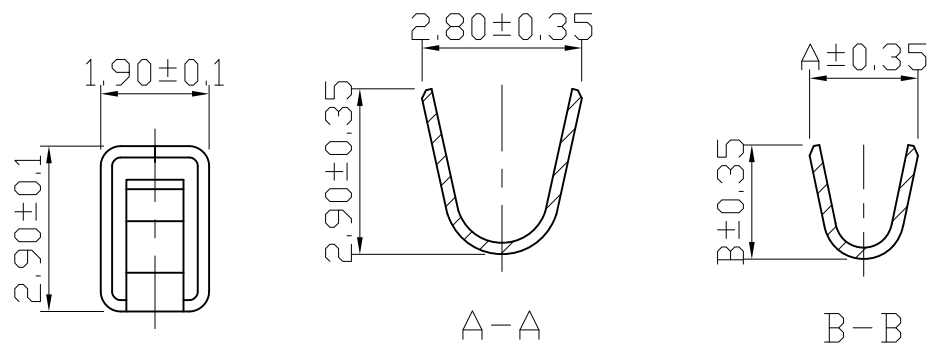
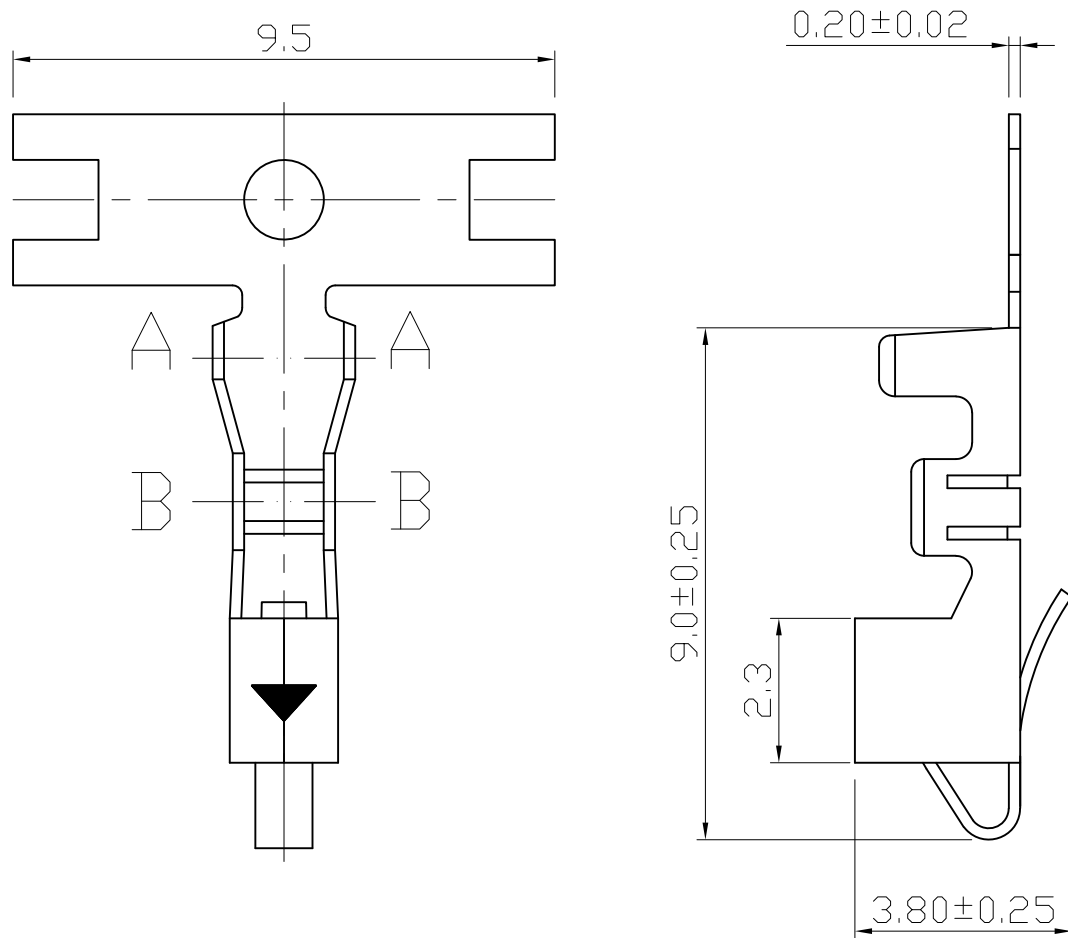


设计变更 REVISIONS

NO.	MARK	变更记录 DESCRIPTION	REV	DATE

备注 NOTES:

1. 材质 : 磷铜 T=0.20  
Material: Bronze T=0.20
2. 镀层: 镍/锡  
Plating: Ni/Tin
3. 额定电流 : Max 3.0A AC, DC  
Current rating: Max 3.0A AC, DC
4. 接触电阻 :  $\leq 20m\Omega$   
Contact Resistance:  $\leq 20m\Omega$
5. 适用线规: AWG#30 to#22  
Apply to gauge: AWG#30 to#22
6. 适配端子: L250013-02RT (SYM-001T-P0.6)  
Matched Terminal: L250013-02RT (SYM-001T-P0.6)
7. 适配塑壳: L250013-ANP-V\*(SM-NP)  
Matched Housing: L250013-ANP-V\*(SM-NP)
8. 适用温度范围 :  $-25^{\circ}C \sim +85^{\circ}C$   
Applicable Temperature Range:  $-25^{\circ}C \sim +85^{\circ}C$
9. 环保要求: RoHS/REACH  
Environmental requirements: RoHS/REACH



产品规格 Part Model	产品名称 Name	产品料号 Part No	尺寸Dimension		压接范围 Wire Range
			A	B	
L250013-01PT-N1	SHF-002T-0.8BS	LX6N250014-02	1.60	1.30	AWG#30-28
L250013-02PT-N1	SHF-001T-0.8BS	LX6N250014-01	1.90	2.00	AWG#26-22

未注公差范围 No tolerance range is noted			温州市林鑫电子有限公司 WenZhou LinXin Electronics Co., Ltd.			
***	±0.05	±0.5°	产品规格: PART MODEL:	L250013-NPT-N1		
**	±0.15	±1°	产品名称: PRODUCT NAME:	SM-Y簧/SHF-00*T-0.8BS		
*	±0.20	±2°	产品料号: PART NO:	LX6N250014-***		
.	±0.30	±3°	客户料号: CUSTOMER P/N:			
制图 DRAWING	邓小芳	审核 AUDIT	吴晓平	批准 APPD	赵成钢	发行日期 Release date:
			UNIT/SCALE	SHEET	REV	
			mm	1:1	1/1	A/1