

# DC UPS 18W / 24W / 36W

## SPD Series DC UPS

DC UPS Inbuilt 4000 - 14000mah lithium batteries

### Key Features:

- Intelligent circuit design with over-charging, over-discharging and short circuit protections.
- Built-in adapter allows wide AC voltage range 100~240 Vac.
- Inbuilt 4000 - 14000mah lithium batteries
- LED status indicators.
- Suitable for most digital device.
- 5V/2A USB output for charging mobile phone, PSP, PDA, IPOD, MP4...etc (optional).
- Supports wall-mounted extension (optional).

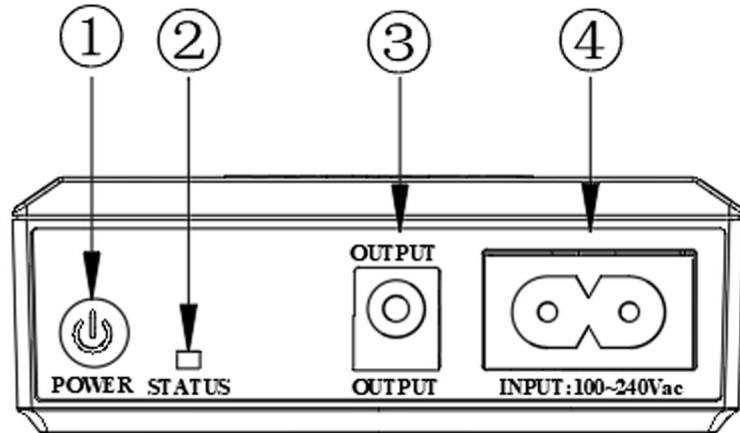


# Technical Specification:

SPD Series							
Model	SPD-018AC	SPD-024AC	SPD-018S	SPD-036S	SPD-018W	SPD-018-USB	SPD-036-USB
AC Input Range	100-240VAC	100-240VAC	/	/	/	/	/
Frequency Range	50 - 60Hz	50 - 60Hz	/	/	/	/	/
DC Input Range	/	/	12VDC / 2A	12VDC / 3A	9 - 24VDC / 18W (min.)	12VDC / 2A	12VDC / 3A
DC Output	12VDC / 1.5A	12VDC / 2A	12VDC / 1.5A	12VDC / 3A	9VDC / 1A	12VDC / 1.5A	12VDC / 3A
Output Power(Max)	18W	24W	18W	36W	18W	18W	36W
USB Port	/	/	/	/	5VDC / 2A	5VDC / 2A	5VDC / 2A
Capacity of Battery Range	4000 ~ 14000mah						
Capacity of Battery Standard	5200mah (2600mah * 2pcs)						
	10400mah (2600mah * 4pcs)						
Capacity of Battery Optional	4000mah (2000mah * 2pcs)	4400mah (2200mah * 2pcs)	4800mah (2400mah * 2pcs)	6000mah (3000mah * 2pcs)			
	6600mah (3300mah * 2pcs)	7000mah (3500mah * 2pcs)	8000mah (2000mah * 4pcs)	8800mah (2200mah * 4pcs)			
	9600mah (2400mah * 4pcs)	12000mah (3000mah * 4pcs)	13200mah (3300mah * 4pcs)	14000mah (3500mah * 4pcs)			
Type of Battery	18650						
Operate Temperature	0°C - 45°C						
Relative Humidity	10% - 90%						
Machine Dimension(mm)	128 * 77 * 27						
Net Weight(kg)	0.15	0.17	0.22	0.28	0.26	0.22	0.28
*Product Specifications are Subject to Change Without Notice.							

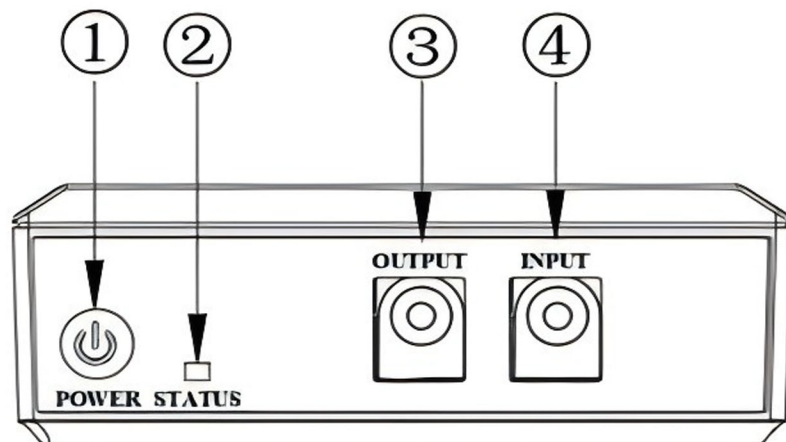
## SPD-018AC / 024AC Interface Diagram:

- ① ON/OFF Switch
- ② Status indicator
- ③ Output port
- ④ AC power input port



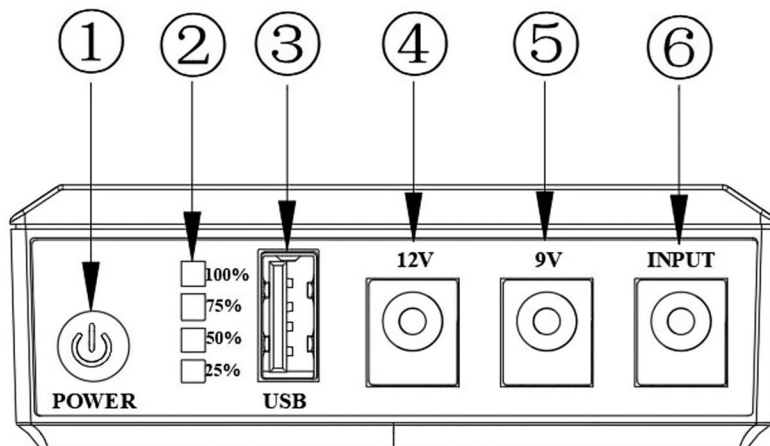
## SPD-018S / 036S Interface Diagram:

- ① ON/OFF Switch
- ② Status indicator
- ③ Output port
- ④ DC power input port



## SPD-018W Interface Diagram:

- ① ON/OFF Switch
- ② LED indicator
- ③ USB output port
- ④ Output port of 12Vdc
- ⑤ Output port of 9Vdc
- ⑥ DC power input port



## SPD-018-USB / 036-USB Interface Diagram:

- ① ON/OFF Switch
- ② Status indicator
- ③ Output port of USB (5Vdc)
- ④ Output port of 12Vdc
- ⑤ Input port of 12Vdc

