

QUEEN STAR PLUS 6K-10KVA

High Frequency Online UPS Queen Star Plus Series

Queen Star Plus 6KVA - 10KVA (1ph in/ 1ph out)

Key Features:



- Latest Three Level Inverter tech
- True online double conversion technology, Pure Sine Wave Output
- 0.9 Output Power Factor
- Digital LCD Screen, Zero transfer time
- DSP Technology, compact design
- Active input power factor correction (PFC)
- Protection against all types of power problems
- Wide range of input voltage and frequency
- Active Load Management, cold start function
- Sufficiency Expansion Slots for USB,AS400,CMC monitoring, SNMP,RS485 and EMD environment monitoring
- Equipped with maintenance bypass switch
- Generator Supportable
- Sealed lead acid, maintenance free battery

Shenzhen UPSen Electronic CO.,Ltd.

www.upsen.net

Technical Specification:

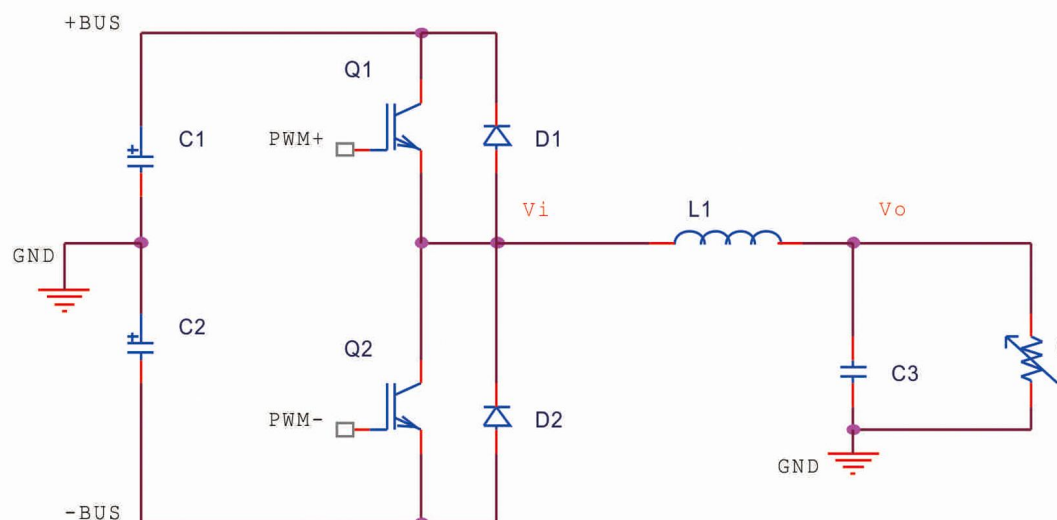
Model		Q6K Plus	Q6KL Plus	Q10K Plus	Q10KL Plus	
Capacity		6KVA / 5400W		10KVA / 9000W		
Input	Input system	Single Phase & Earth Ground				
	Range Voltage	(120±5)VAC ~ (274±5)VAC				
	Rated Current	24A		40A		
	Frequency	46~54Hz / 56~64Hz				
	Voltage Range of Bypass	(60±5)VAC ~ (300±5)VAC (Default: 80VAC ~ 264VAC Could be Adjusted by Software)				
	Power Factor	≥0.99				
Output	Output system	Single Phase & Earth Ground				
	Range Voltage	220Vac (Output voltage can be set: 200V/208V/220V/230V/240V.)				
	Voltage Precision	±1%				
	Frequency	Normal Mode	1. The output frequency synchronizes with the input frequency when the input frequency is in the range of 46 Hz~ 54 Hz. 2. The output frequency is 50Hz when the input frequency is not in the range of 46 Hz~ 54 Hz. 3. Can be set as 60Hz.			
		Battery Mode				
	Inverter Overload Capacity (Utility Power, 25°C)	105% ±5% < Load ≤ 125% ± 5% 60s transfer to bypass 125% ±5% < Load ≤ 135% ± 5% 30s transfer to bypass Load > 135% ± 5%, 100ms transfer to bypass				
	Rated Current	27A		45A		
	Power Factor	0.9				
	Waveform	Pure Sine Wave				
	Transfer Time	0ms (Normal mode↔ Battery mode) <4ms (Normal mode↔ Bypass mode)				
Crest Factor	3:1					
Battery	Battery Nominal Voltage	192VDC (240Vdc Customization Optional)				
	Battery quantity	16PCS	None	16PCS	None	
	Battery Type	Sealed maintenance-free lead –acid battery of battery voltage 12V 7AH(or 12V 9AH)				
	Back-up Time (25°C)	Full load ≥ 5min	Depends on external batteries bank's Capacity	Full load ≥ 5min	Depends on external batteries bank's Capacity	
	Transfer Time	0ms				
	Charge current	1A	5.5A	1A	5.5A	
Communication	Communication	Standard RS232; Optional: USB, SNMP Smart Card Slot				
Operating Environment	Temperature	0C~40°C				
	Audible Noise	≤ 50 dB				
	Humidity	<95%				
Dimension	Machine Size - W*D*H(mm)	260*533*560	190*425*328	260*533*560	260*533*560	
	Package Size - W*D*H(mm)	355*635*665	305*563*450	355*635*665	385*685*645	
	Net Weight(KG)	55.3	12.5	62	21	
	Gross Weight(KG)	64.5	20	70	23	
*Specification are subject to change without prior notice						

Product Advantages:

- Latest three-level inverter control tech makes UPS whole efficiency >94 % which is higher than current mainstream half bridge inverter control efficiency, and greatly improved UPS load capacity to support Air Conditioners, Laser Printers and other sensitive loads.
- The latest soft switch technology is adopted in PFC boosting process, which reduces the PFC IGBT's peak voltage and switching loss, improves the UPS voltage endurance capability to withstand lightning stroke and other instantaneous high voltage, and effectively improves the efficiency of the whole machine.
- Frequency doubling controlled PFC Circuit, which can reduce the volume of magnetic components and improve the efficiency of the whole machine.
- PFC and Inverter adopt hardware current limiting design, which effectively accelerate the response time of current limiting and improve the reliability of ups.
- More optimized structure layout makes the UPS size smaller.
- Cheaper Price.

What's three level inverter tech?

Traditional two- level half - bridge inverter



Latest three - level inverter

