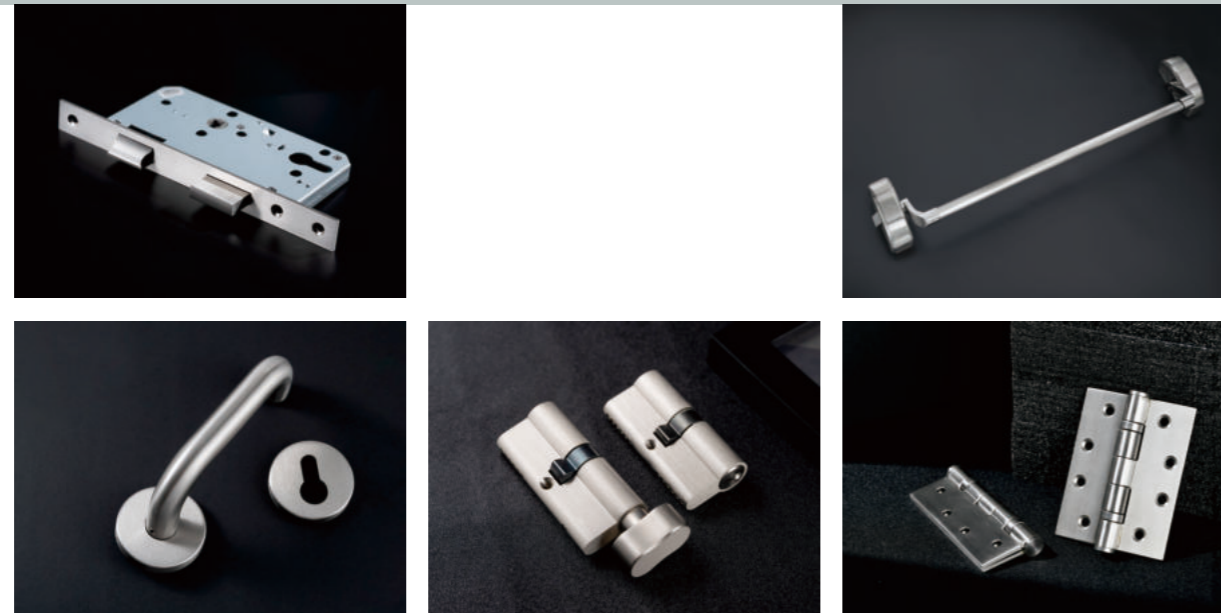




# DOOR HARDWARE



Concentration, Innovation, Passion, Perfection



# FIRE RESISTANCE



**FIRE RESISTANCE**

EN1634-1: Fire resistance test for door and shutter assemblies and openable windows  
EN1634-2: Fire resistance test for door and shutter and openable window assemblies and elements of building hardware



**EN 12209**

Building hardware — Mechanically operated locks and locking plates — Requirements and test methods



**EN 179**

Building hardware — Emergency exit devices operated by a lever handle or push pad, for use on escape routes — Requirements and test methods



**EN 1125**

Building hardware — Panic exit devices operated by a horizontal bar, for use on escape routes — Requirements and test methods



**EN 15685**

Building hardware - Requirements and test methods - Multipoint locks, latches and locking plates - Characteristics and test methods



**EN 1906**

Building hardware — Lever handles and knob furniture - Requirements and test methods



**EN 1303**

Building hardware - Cylinders for locks - Requirements and test methods



**EN 1935**

Building hardware - Single-axis hinges - Requirements and test methods



**DIN 18251**

Locks - Mortise locks - multipoint locks - Terms, definitions and dimensions



**DIN 18252**

Profile cylinders for door locks — Terminology, dimensions, requirements, test methods and marking



**DIN 18255 (Spindle: 8\*8mm)**

Building hardware — Door lever handles, backplates and escutcheons — Definitions, dimensions, requirements and marking



**DIN 18273 (Spindle: 9\*9mm)**

Building hardware — Lever handle units for fire doors and smoke control doors — Terms and definitions, dimensions, requirements, testing and marking



**DIN 18257 (Spindle: 10mm)**

Building hardware — Security plates — Definitions, measurements, requirements and marking



**BS 7352:1990**

Strength and durability performance of metal hinges



**ANSI/BHMA A156.1-2021**

Standard for Butts and hinges



**ANSI/BHMA A156.13-2022**

Mortise locks and latches

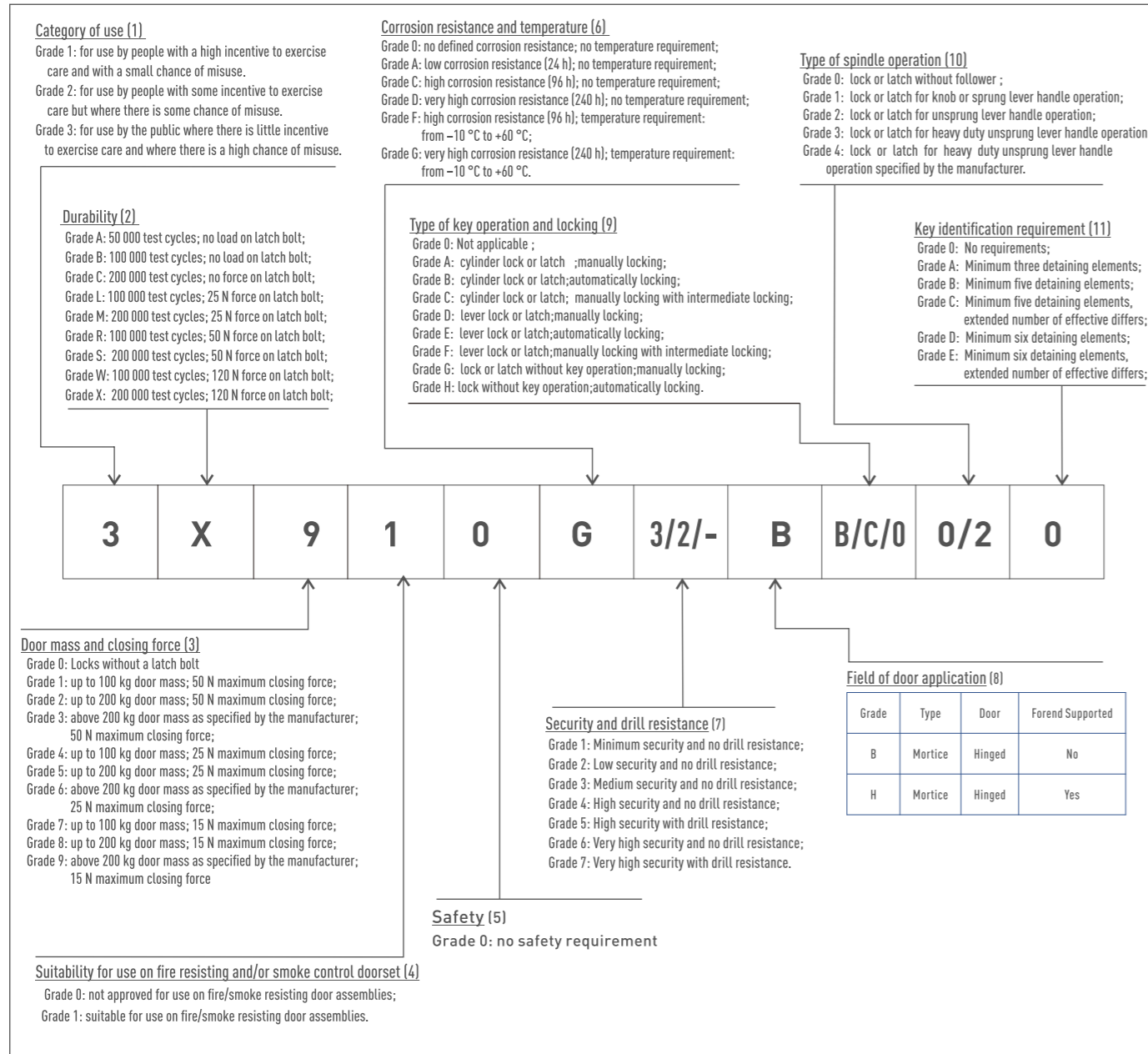
**Stainless steel chemical requirements**

USA ASTM A 959 Type	EUR EN 10088-1 Type	CN GB/T 20878 Type	C (%)	Si (%)	Mn (%)	P (%)	S (%)	Ni (%)	Cr (%)	Mo (%)	Cu (%)	N (%)
303	1.4305	S30317	0.15	1	2	0.200	0.15	8-10	17-19	0.6	—	—
304	1.4301	S30408	0.08	1	2	0.045	0.03	8-11	18-20	—	—	—
304L	1.4306	S30403	0.03	1	2	0.045	0.03	8-12	18-20	—	—	—
316	1.4401	S31608	0.08	1	2	0.045	0.03	10-14	16-18	2-3	—	—
316L	1.4404	S31603	0.03	1	2	0.045	0.03	10-14	16-18	2-3	—	—
201	1.4372	S35350	0.15	1	5.5-7.5	0.050	0.03	3.5-5.5	16-18	—	—	0.05-0.25



**Standards and Certification**

EN 12209:2003-Mechanically operated locks and locking plates



**CE Certificate (Mortise Lock)**

Standard: EN 12209:2003-Mechanically operated locks and locking plates



**CERTIFICATE OF CONSTANCY OF PERFORMANCE**

**0905-CPR-000347-04**

In compliance with Regulation (EU) No 305/2011 of the European Parliament and of the Council of 9 March 2011 (the Construction Products Regulation or CPR), this certificate applies to the construction product(s)

**Product(s):**

**Building hardware - Locks and latches - Mechanically operated locks, latches and locking plates**

**Placed on the market under the name or trade mark of: and produced in the manufacturing plant(s):**  
**Intended use:**

(refer to attached appendix for details and conditions)  
**Hebei Jianhua Lock Industry Co., Ltd.**  
Houniutun Village, Simencun Town, Botou City, Hebei Province, **China**  
**Hebei Jianhua Lock Industry Co., Ltd.**  
Houniutun Village, Simencun Town, Botou City, Hebei Province, **China**  
When used with an appropriate door closing device on fire and/or smoke control doors to fulfil the self-closing requirement of such doors, and thereafter to ensure that the door remains shut.  
This certificate attests that all provisions concerning the assessment and verification of constancy of performance described in Annex ZA of the standard(s):

**EN 12209:2003+AC:2005**

Under System 1 for the performances set out in this certificate are applied and that the performance of the construction product fulfils all the prescribed requirements for these performances  
This certificate replaces **0905-CPR-000347-03** and was first issued under **0359-CPR-00347-05** on **2014-12-18** and will remain valid as long as the test methods and/or factory production control requirements included in the harmonised standard, used to assess the performances of the declared essential characteristics, do not change, and the construction product, and the manufacturing conditions in the plant are not modified significantly, unless suspended or withdrawn by the product certification body

*The issued document and statement(s) herein makes reference only to a presumption of conformity in accordance with the CPR Regulations EU 305/2011 (as amended). However, it is the manufacturer's or their authorised representative's sole responsibility to affix the CE logo and, by doing so, confirms full compliance and conformity to all other European mandatory directives and regulations that may also apply.*



**Signature:**

*Roland Heine*  
117903

**Date:** 2023-11-03

**Name:**

Dipl.-Ing. Roland Heine

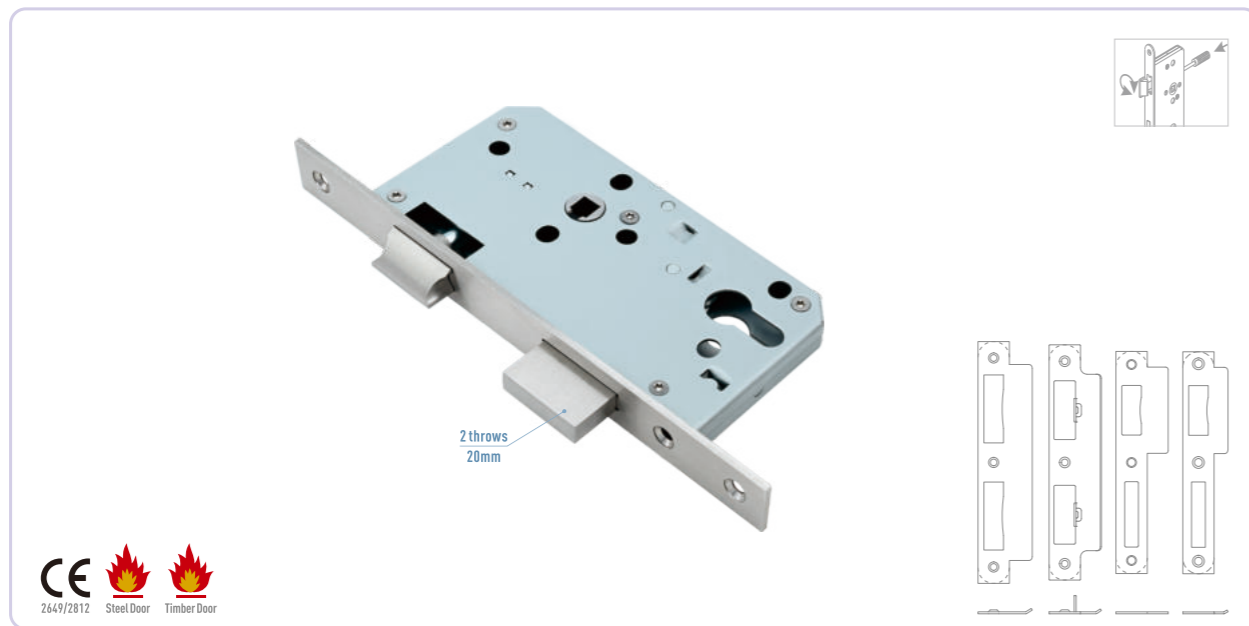
**Issue:** 04

**Position:** Certification Manager

This Certificate is for the exclusive use of Intertek's client and is provided pursuant to the agreement between Intertek and its Client. Intertek's responsibility and liability are limited to the terms and conditions of the agreement. Intertek assumes no liability to any party, other than to the Client in accordance with the agreement, for any loss, expense or damage occasioned by the use of this Certificate. Only the Client is authorized to permit copying or distribution of this Certificate and then only in its entirety. Any use of the Intertek name or one of its marks for the sale or advertisement of the tested material, product or service must first be approved in writing by Intertek.

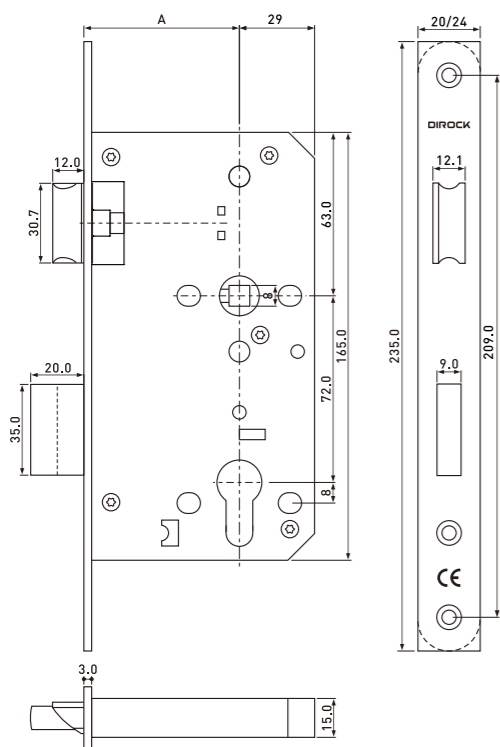
**Intertek Deutschland GmbH, Stangenstraße 1, 70771 Leinfelden-Echterdingen**

**Tel.: +49 711 27311-0 E-Mail: nb0905@intertek.com Web: www.intertek.de/directory**

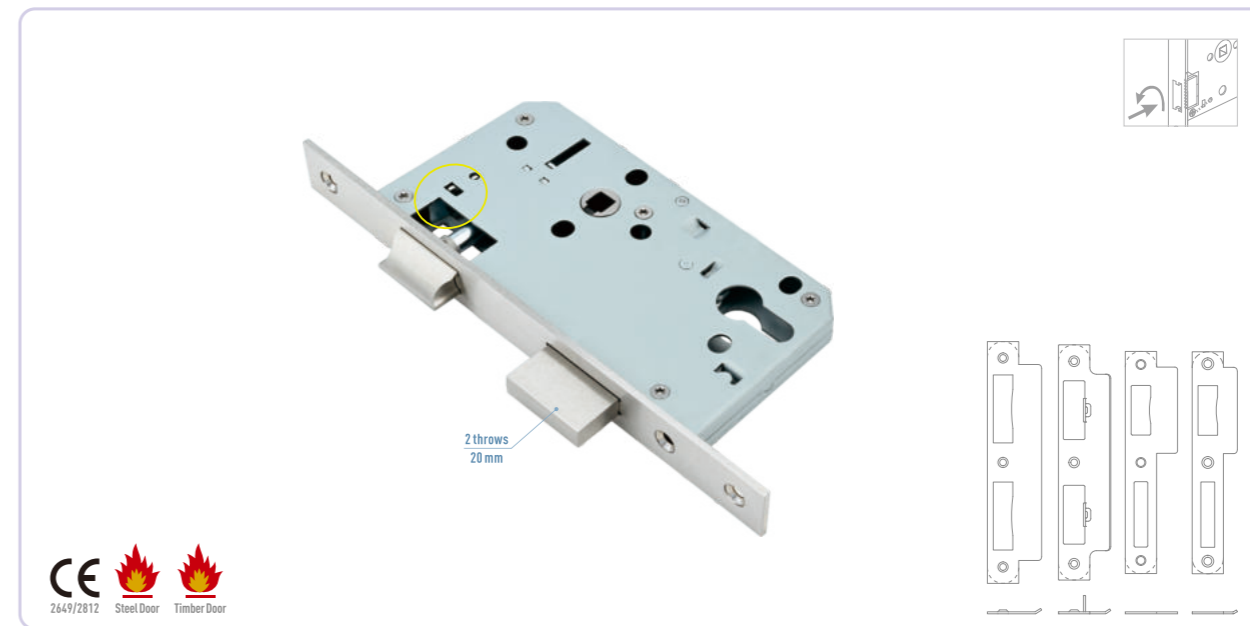


**Mortise Lock: 72Z** (Deadbolt: 2 throws, Projection:20mm)

- 4572Z: A=45mm
- 5072Z: A=50mm
- \*# 5572Z: A=55mm
- \*# 6072Z: A=60mm
- # 6572Z: A=65mm
- # 7072Z: A=70mm
- # 8072Z: A=80mm

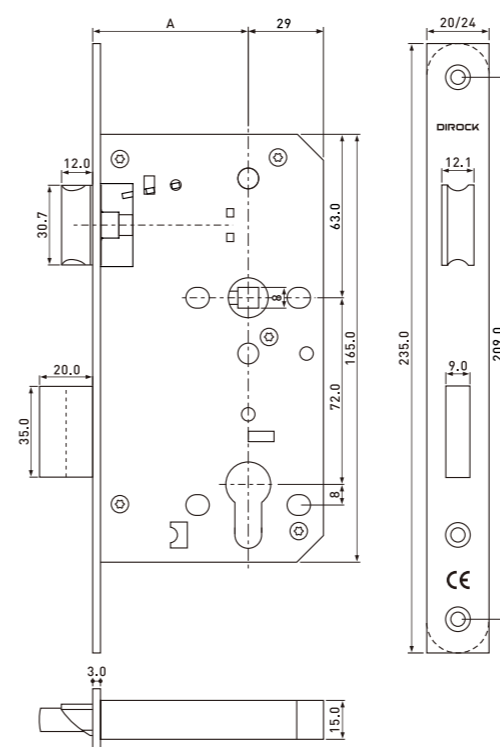


Size	
Nominal backset (A)	45/ 50/ 55/ 60/ 65/ 70/ 80 mm
Rear backset	29 mm
Center distance	72 mm
Major Parts	
Forend	304, Height: 235mm, Width: 20 / 24mm, Thickness: 3mm
Latch	304
Deadbolt	304, 2 throws, Projection:20mm
Follower	304, Square hole: 8*8mm
Locking plate	304, Thickness: 1.5mm
Case	SECC, Thickness: 1.5mm
Standard	
EN 12209, EN 1634-1, DIN 18251	
Certification	
CE (*Warrington)	3 X 8 1 0 G 3 H C 2 0
CE (Intertek)	3 X 9 1 0 G 3 B C 2 0
Fire test (En1634-1)	Steel fire door: **240 min Timber fire door: *30 / *60 / **90 / *120 min

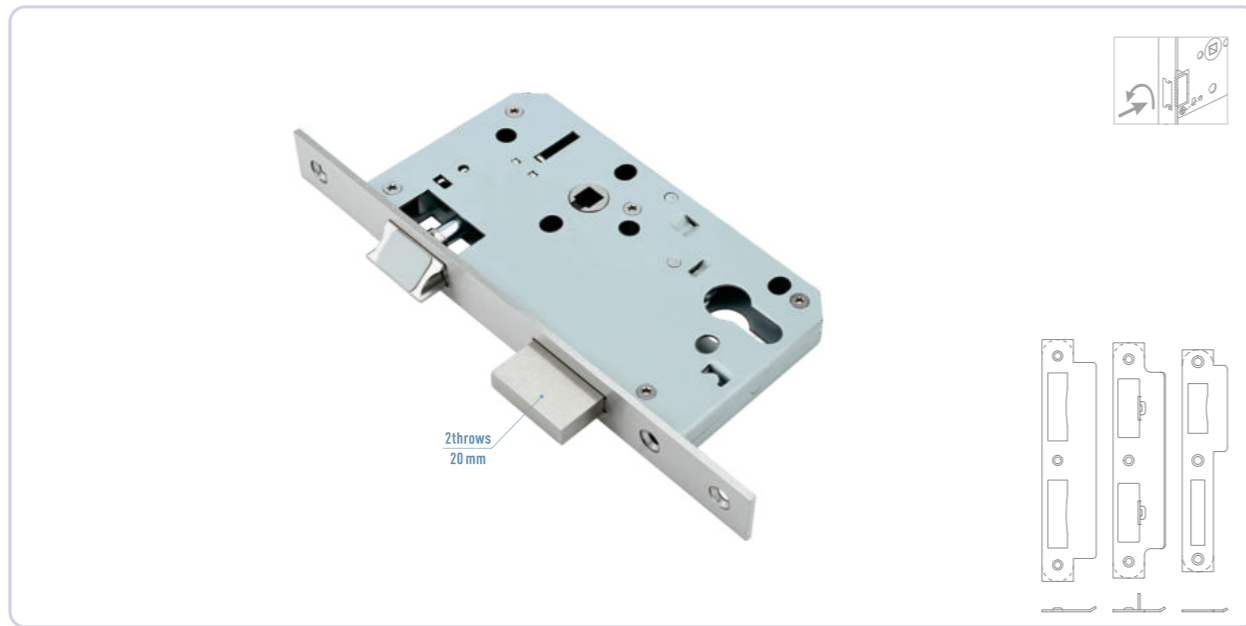


**Mortise Lock: 72Z-A** (Deadbolt: 2 throws, Projection:20mm)

- 5572Z-A: A=55mm
- 6072Z-A: A=60mm

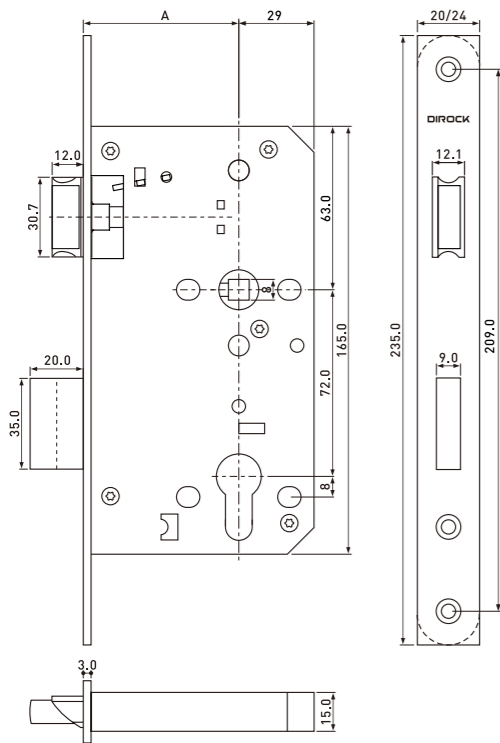


Size	
Nominal backset (A)	55 / 60 mm
Rear backset	29 mm
Center distance	72 mm
Major Parts	
Forend	304, Height: 235mm, Width: 20 / 24mm, Thickness: 3mm
Latch	304
Deadbolt	304, 2 throws, Projection:20mm
Follower	304, Square hole: 8*8mm
Locking plate	304, Thickness: 1.5mm
Case	SECC, Thickness: 1.5mm
Standard	
EN 12209, EN 1634-1, DIN 18251	
Certification	
CE (Warrington)	3 X 8 1 0 G 3 H C 2 0
CE (Intertek)	3 X 8 1 0 G 3 H C 2 0
Fire test (En1634-1)	Steel fire door: 240 min Timber fire door: 30 / 60 / 90 / 120 min



**Mute Mortise Lock: 72Z-SA** (Deadbolt: 2 throws, Projection:20mm)

5572Z-SA: A=55mm  
6072Z-SA: A=60mm

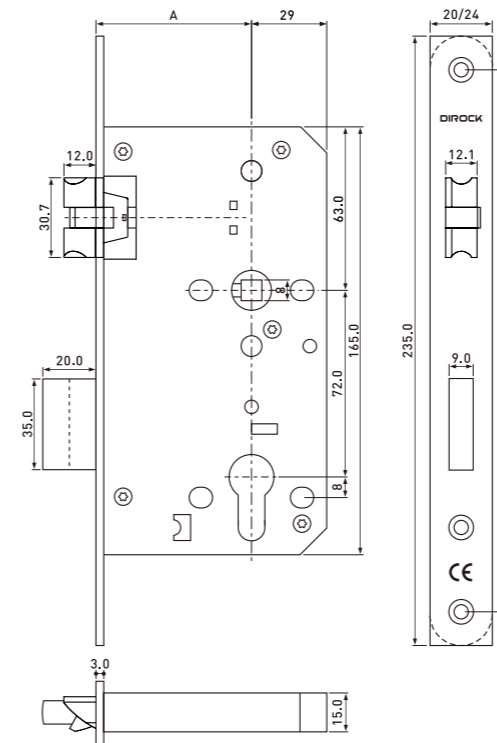


Size	
Nominal backset (A)	55 / 60 mm
Rear backset	29 mm
Center distance	72mm
Major Parts	
Forend	304, Height: 235mm, Width: 20/ 24mm, Thickness: 3mm
Latch	304+POM
Deadbolt	304, 2 throws, Projection:20mm
Follower	304, Square hole: 8*8mm
Locking plate	304, Thickness: 1.5mm
Case	SECC, Thickness: 1.5mm
Standard	
EN 12209, DIN 18251	



**Mortise Lock: 72Z-X** (Deadbolt: 2 throws, Projection:20mm)

5572Z-X: A=55mm  
6072Z-X: A=60mm

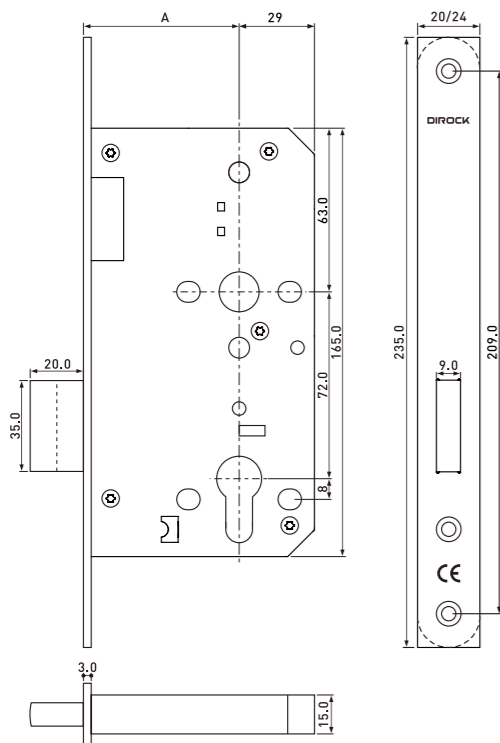


Size	
Nominal backset (A)	55 / 60 mm
Rear backset	29 mm
Center distance	72mm
Major Parts	
Forend	304, Height: 235mm, Width: 20 / 24mm, Thickness: 3mm
Latch	304
Deadbolt	304, 2 throws, Projection:20mm
Follower	304, Square hole: 8*8mm
Locking plate	304, Thickness: 1.5mm
Case	SECC, Thickness: 1.5mm
Standard	
EN 12209, EN1634-1, DIN 18251	
Certification	
CE (Intertek)	3 X 8 1 0 G 3 H C 2 0
Fire test (En1634-1)	Steel fire door: 240 min Timber fire door: 30 / 60 / 90 / 120 min



**Deadbolt Mortise Lock: 72ZD** (Deadbolt: 2 throws, 20mm)

- \*\* 5572ZD: A=55mm
- \*\* 6072ZD: A=60mm
- # 6572ZD: A=65mm

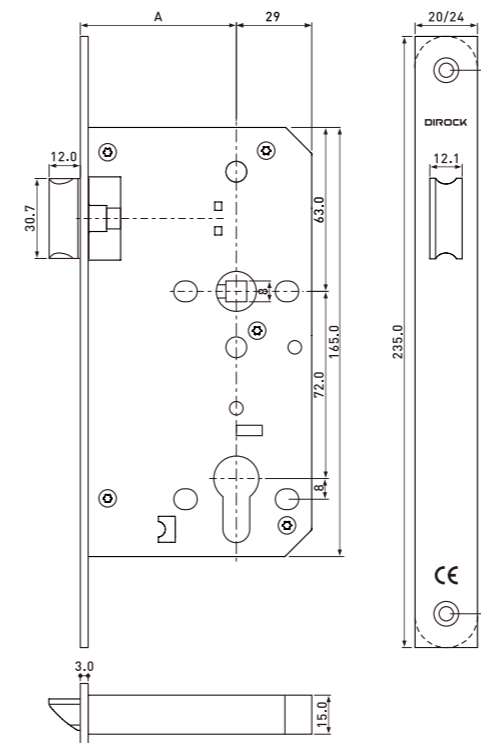


Size	
Nominal backset (A)	55 / 60 / 65 mm
Rear backset	29 mm
Center distance	72mm
Major Parts	
Forend	304, Height: 235mm, Width: 20 / 24mm, Thickness: 3mm
Deadbolt	304, 2 throws, Projection: 20mm
Locking plate	304, Thickness: 1.5mm
Case	SECC, Thickness: 1.5mm
Standard	
EN 12209, EN 1634-1, DIN 18251	
Certification	
CE (Warrington)	3 X 8 1 0 G 3 H C 0 0
CE (Intertek)	3 X 9 1 0 G 3 B C 0 0
Fire test (En1634-1)	Steel fire door: **240 min Timber fire door: *30 / *60 / **90 / *120 min

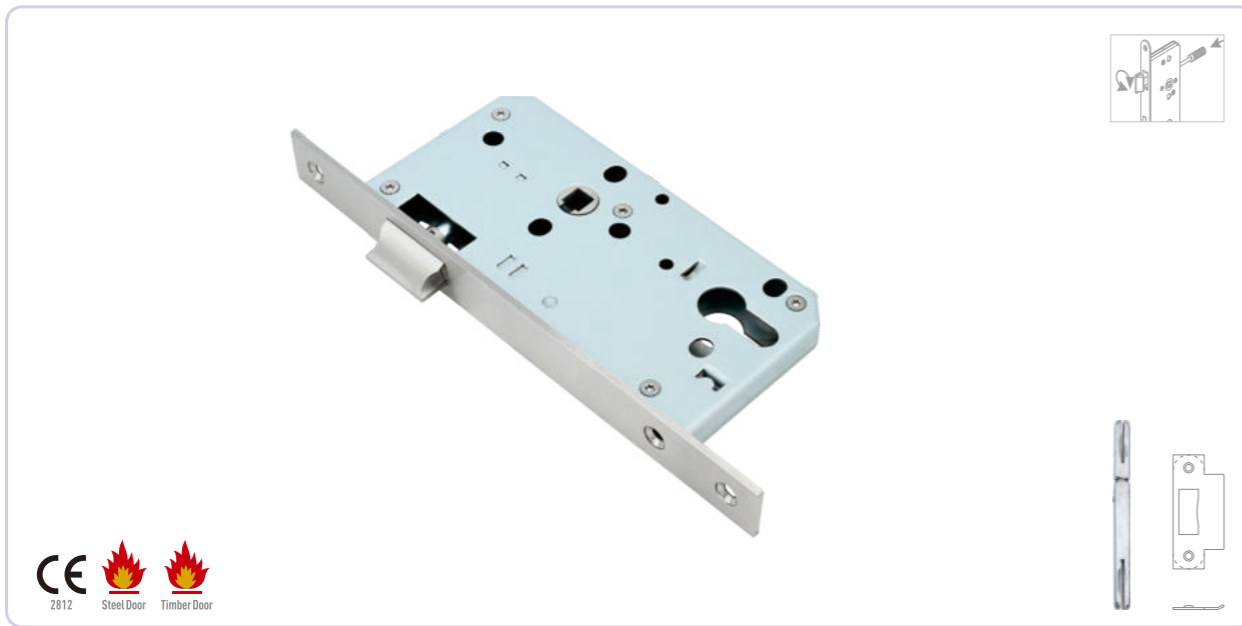


**Passage Mortise Lock: 72ZL**

- \*\* 5572ZL: A=55mm
- \*\* 6072ZL: A=60mm
- # 6572ZL: A=65mm



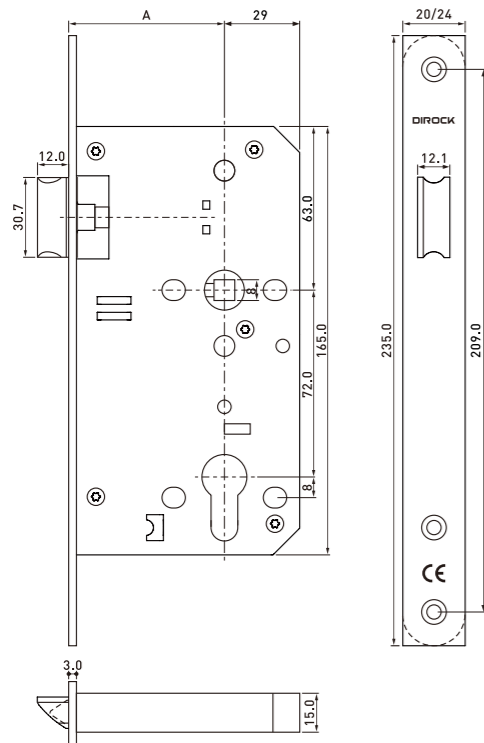
Size	
Nominal backset (A)	55 / 60 / 65mm
Rear backset	29 mm
Center distance	72mm
Major Parts	
Forend	304, Height: 235mm, Width: 20 / 24mm, Thickness: 3mm
Latch	304
Follower	304, Square hole: 8*8mm
Locking plate	304, Thickness: 1.5mm
Case	SECC, Thickness: 1.5mm
Standard	
EN 12209, EN 1634-1, DIN 18251	
Certification	
CE (Warrington)	3 X 8 1 0 G - H 0 2 0
CE (Intertek)	3 X 9 1 0 G - B 0 2 0
Fire test (En1634-1)	Steel fire door: **240 min Timber fire door: *30 / *60 / **90 / *120 min



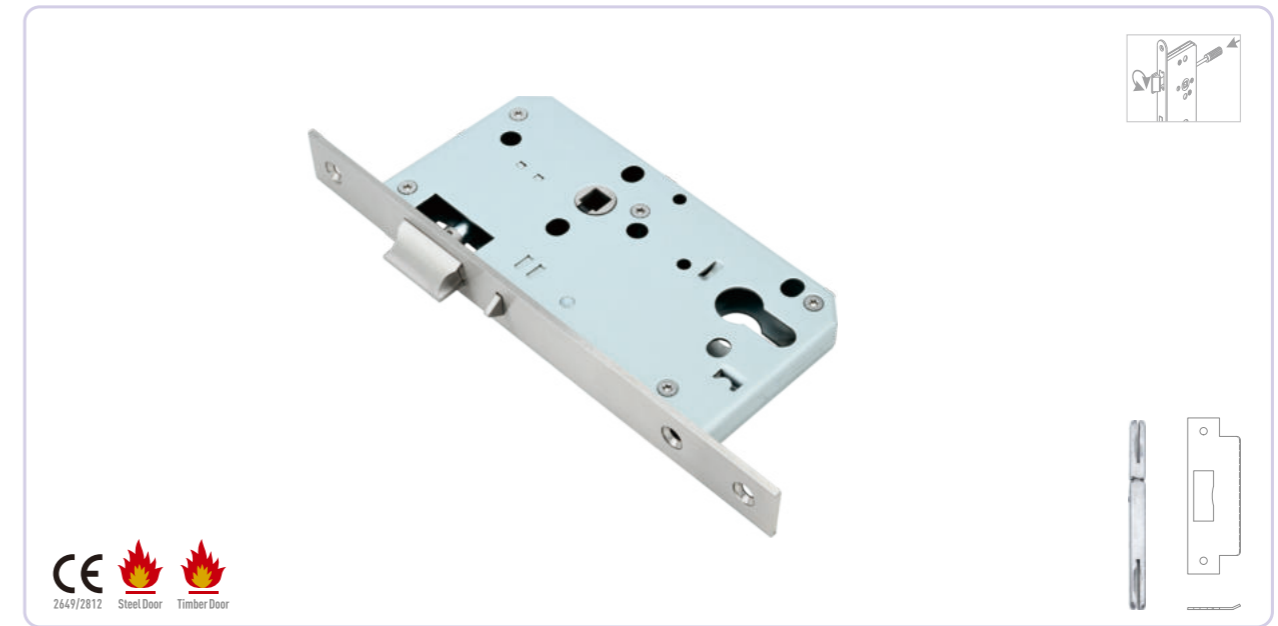
**Night Latch Mortise Lock: 72ZN**

5572ZN: A=55mm

6072ZN: A=60mm



Size	
Nominal backset (A)	55 / 60 mm
Rear backset	29 mm
Center distance	72mm
Major Parts	
Forend	304, Height: 235mm, Width: 20 / 24mm, Thickness: 3mm
Latch	304
Follower	304, Square hole: 8*8mm
Locking plate	304, Thickness: 1.5mm
Case	SECC, Thickness: 1.5mm
Standard	
EN 12209, EN 1634-1, DIN 18251	
Certification	
CE (Warrington)	3 X 8 1 0 G 2 H B 2 0
Fire test (En1634-1)	Steel fire door: 240 min Timber fire door: 30 / 60 / 90 / 120 min

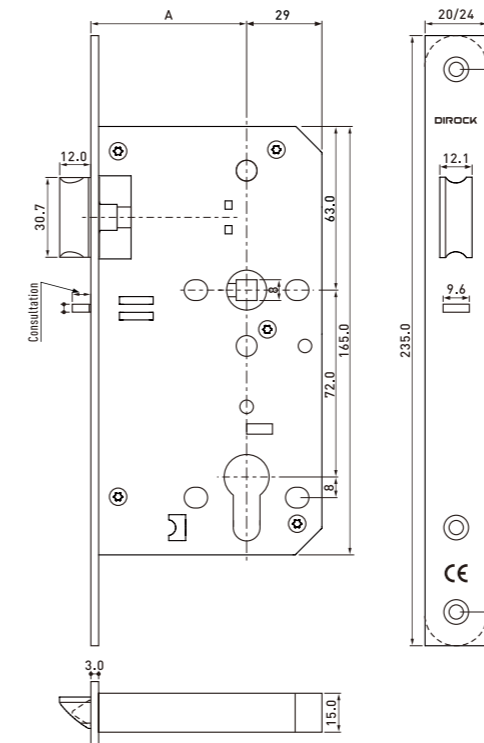


**Night Latch Mortise Lock: 72N**

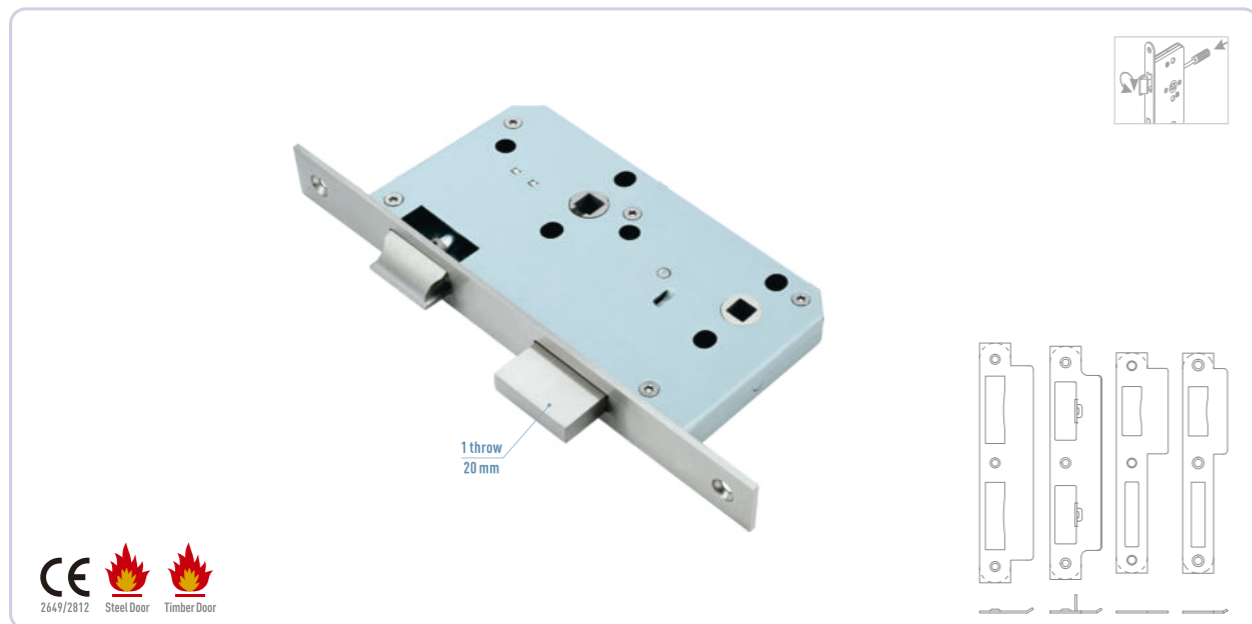
\*\* 5572N: A=55mm

\*\* 6072N: A=60mm

# 6572N: A=65mm

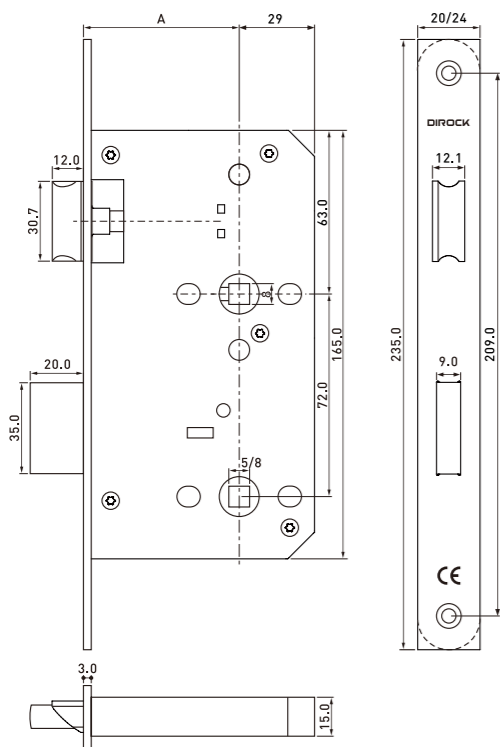


Size	
Nominal backset (A)	55 / 60 / 65 mm
Rear backset	29 mm
Center distance	72mm
Major Parts	
Forend	304, Height: 235mm, Width: 20 / 24mm, Thickness: 3mm
Latch	304
Anti-thrust latch	201
Follower	304, Square hole: 8*8mm
Locking plate	304, Thickness: 1.5mm
Case	SECC, Thickness: 1.5mm
Standard	
EN 12209, EN 1634-1, DIN 18251	
Certification	
CE (*Warrington)	3 X 8 1 0 G 2 H B 2 0
CE (#Intertek)	3 X 9 1 0 G 2 B B 2 0
Fire test (En1634-1)	Steel fire door: #240 min Timber fire door: *30 / *60 / **90 / *120 min

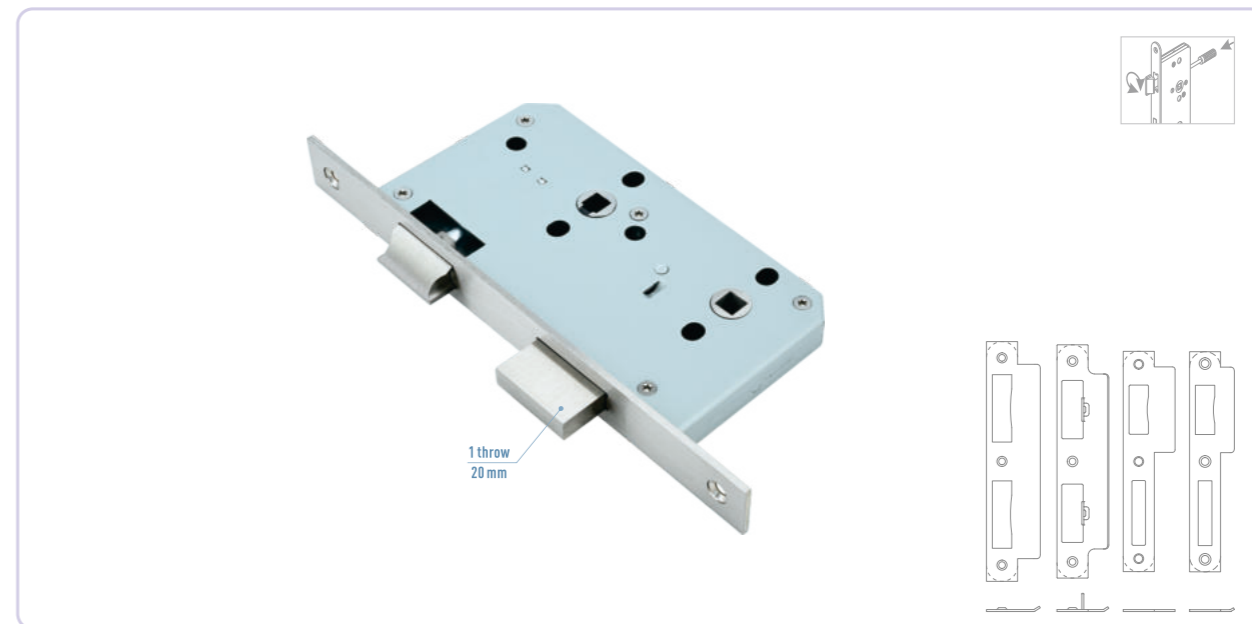


**Bathroom Mortise Lock: 78ZWC** (Deadbolt: 1 throw, 20mm)

- \*# 5578ZWC: A=55mm
- \*# 6078ZWC: A=60mm
- # 6578ZWC: A=65mm

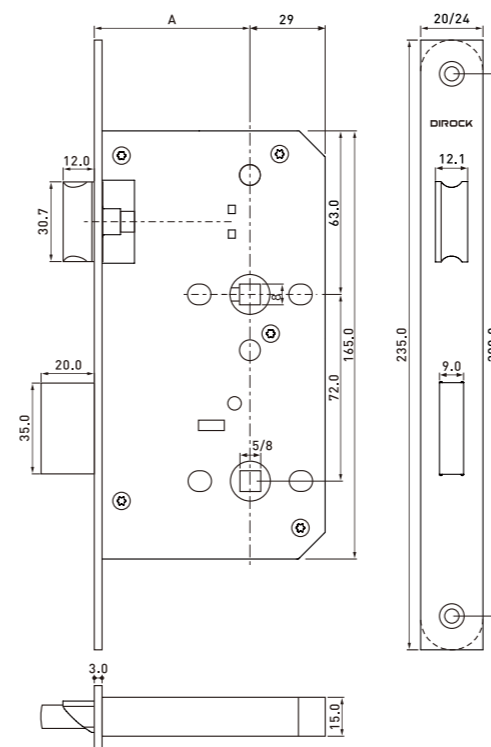


Size	
Nominal backset (A)	55 / 60 / 65 mm
Rear backset	29 mm
Center distance	78 mm
Major Parts	
Forend	304, Height: 235mm, Width: 20/24mm, Thickness: 3mm
Latch	304
Deadbolt	304, 1 throw, Projection: 20mm
Latch Follower	304, Square hole: 8*8mm
Thumb turn follower	304, Square hole: 5*5 / 8*8mm
Locking plate	304, Thickness: 1.5mm
Case	SECC, Thickness: 1.5mm
Standard	
EN 12209, EN 1634-1, DIN 18251	
Certification	
CE (Warrington)	3 X 8 1 0 G - H G 2 0
CE (Intertek)	3 X 9 1 0 G - B 0 2 0
Fire test (En1634-1)	Steel fire door: **240 min Timber fire door: *30 / *60 / **90 / *120 min

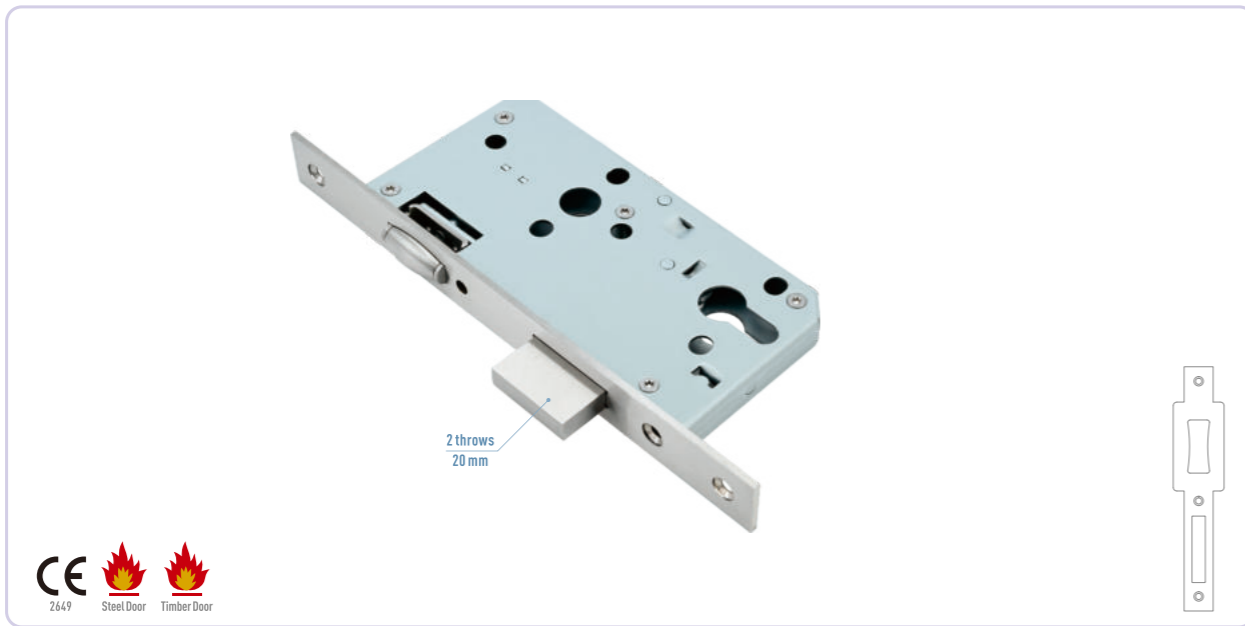


**Bathroom Mortise Lock: 72ZWC** (Deadbolt: 1 throw, 20mm)

6072ZWC: A=60mm



Size	
Nominal backset (A)	60 mm
Rear backset	29 mm
Center distance	72 mm
Major Parts	
Forend	304, Height: 235mm, Width: 20/24mm, Thickness: 3mm
Latch	304
Deadbolt	1 throw, SS 304, Projection: 20mm
Latch follower	304, Square hole: 8*8mm
Thumb turn follower	304, Square hole: 5*5 / 8*8mm
Locking plate	304, Thickness: 1.5mm
Case	SECC, Thickness: 1.5mm
Standard	
En12209, Din18251	

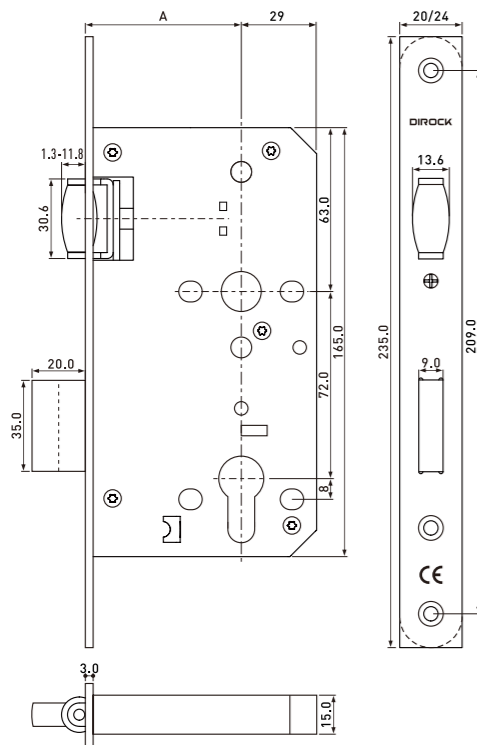


**Roller latch Mortise Lock: 72ZR** (Deadbolt: 2 throws, Projection:20mm)

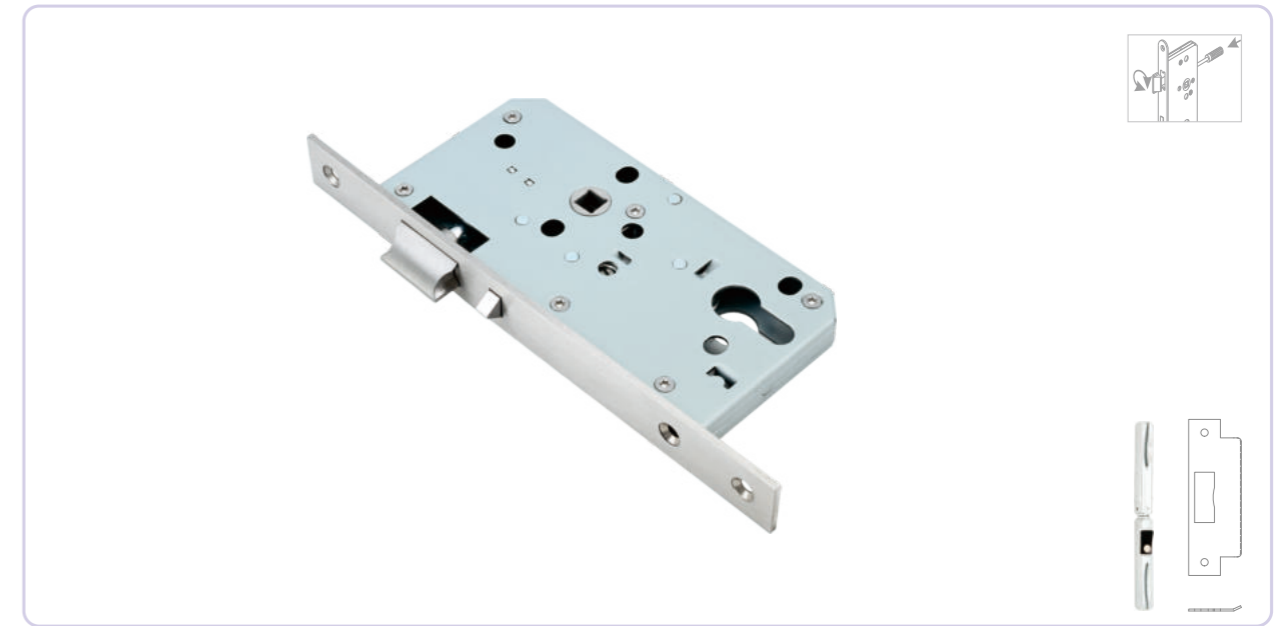
**Roller latch Mortise Lock with follower: 72ZR-F**



- # 5572ZR: A=55mm
- # 6072ZR: A=60mm
- 7072ZR: A=70mm
- 8072ZR: A=80mm

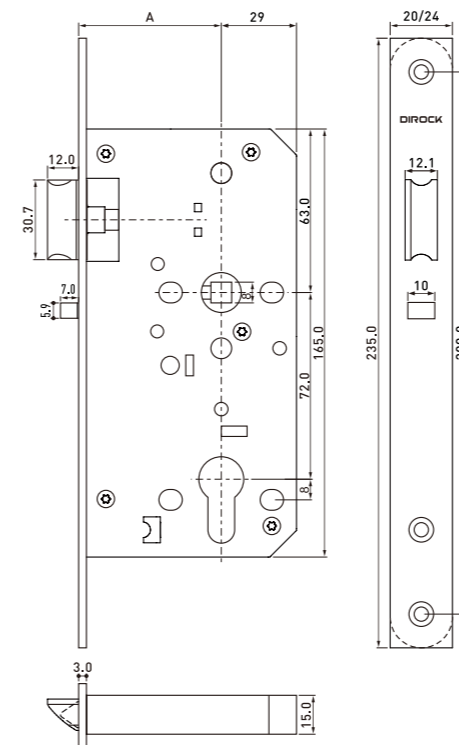


Size	
Nominal backset (A)	55 / 60mm
Rear backset	29 mm
Center distance	72mm
Major Parts	
Forend	304, Height:235mm, Width:20 /24mm, Thickness: 3mm
Roller latch	303
Deadbolt	304, 2 throws, Projection:20mm
Locking plate	304, Thickness: 1.5mm
Case	SECC, Thickness: 1.5mm
Standard	
EN 12209, EN 1634-1, DIN 18251	
Certification	
CE (Intertek)	3 C 8 1 0 G 3 B C 0 0
Fire test (En1634-1)	Steel fire door: *240 min Timber fire door: *90 min

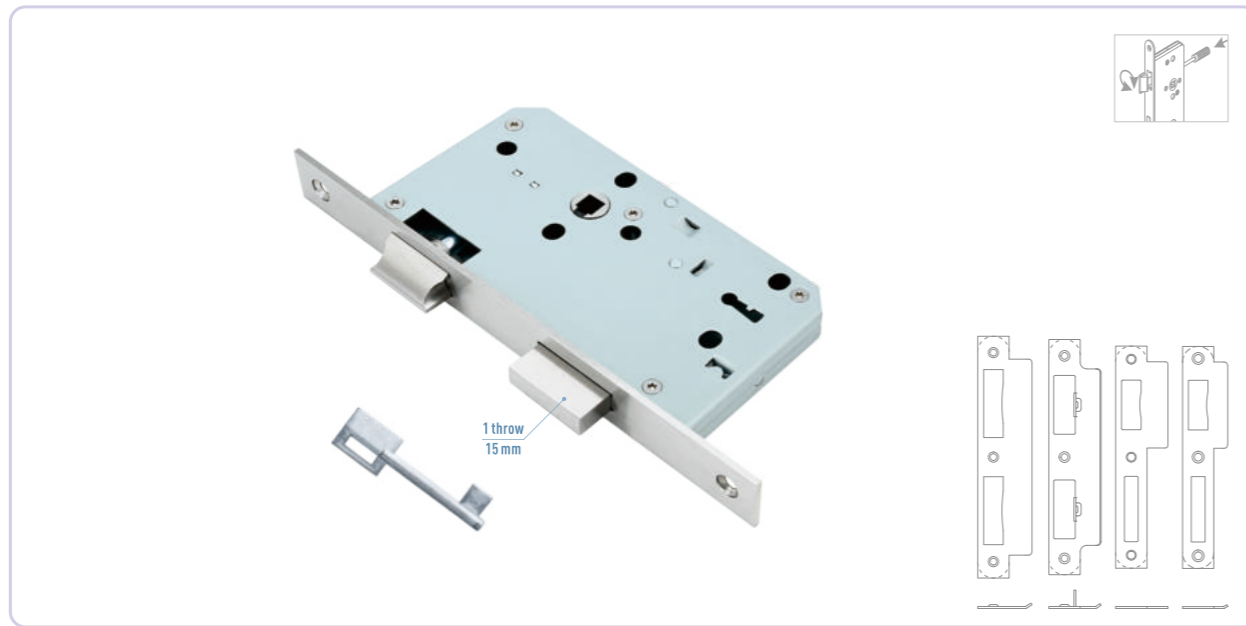


**Classroom Mortise Lock: 72CR**

- 5572CR: A=55mm
- 6072CR: A=60mm

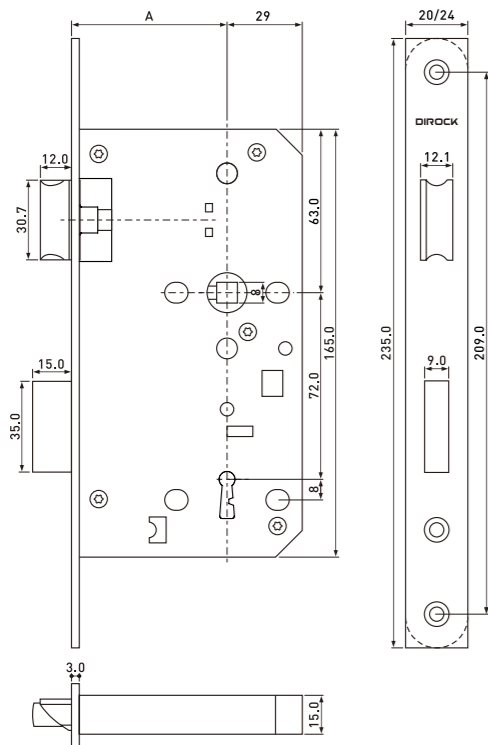


Size	
Nominal backset (A)	55 / 60 mm
Rear backset	29 mm
Center distance	72 mm
Major Parts	
Forend	304, Height:235mm, Width: 20 /24mm, Thickness: 3mm
Latch	304
Anti-thrust latch	304, powder metallurgy
Follower	304, Square hole: 8*8mm
Locking plate	304, Thickness: 1.5mm
Case	SECC, Thickness: 1.5mm
Standard	
EN 12209, DIN 18251	
Certification	
En12209-2016	3 X 8 0 0 G 2 0



**Mortise Lock: 72BB** (Deadbolt: 1 throw, Projection:15mm)

5572BB: A=55mm  
6072BB: A=60mm

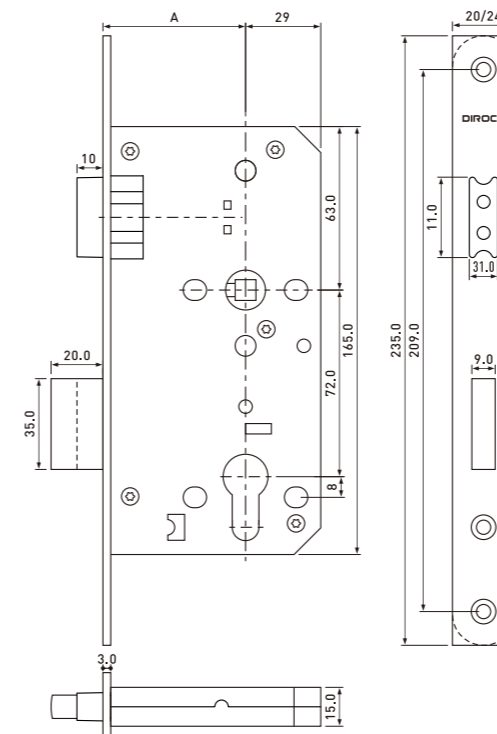


Size	
Nominal backset (A)	55 / 60 mm
Rear backset	29 mm
Center distance	72 mm
Major Parts	
Forend	304, Height:235mm, Width: 20 /24mm, Thickness: 3mm
Latch	304
Follower	304, Square hole: 8*8mm
Deadbolt	304, 1 throw, Projection:15mm
Locking plate	304, Thickness: 1.5mm
Case	SECC, Thickness: 1.5mm
Key	Zinc alloy, 1 pc
Standard	
En12209, Din18251	



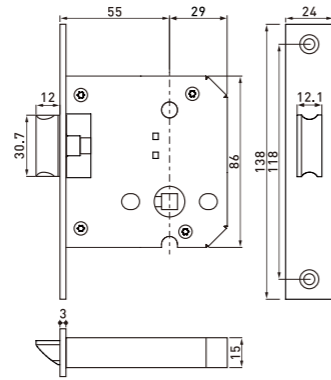
**Magnetic Mortise Lock: 72ZMS** (Deadbolt: 2 throws, Projection:20mm)

5572ZMS: A=55mm  
6072ZMS: A=60mm



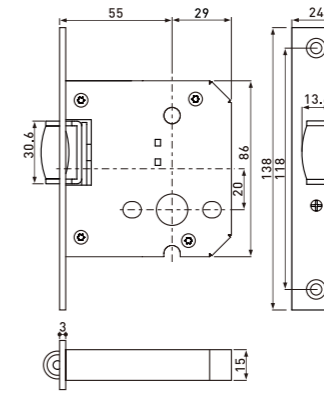
Size	
Nominal backset (A)	55 / 60 mm
Rear backset	29 mm
Center distance	72 mm
Major Parts	
Forend	304, Height: 235mm, Width:20 /24mm, Thickness: 3mm
Magnet bolt	PA6+Permanent magnet
Deadbolt	304, 2 throws, Projection:20mm
Follower	304, Square hole: 8*8mm
Locking plate	304, Thickness: 3mm
Case	SECC, Thickness: 1.5mm
Standard	
EN 12209, DIN 18251	

**55ZL**



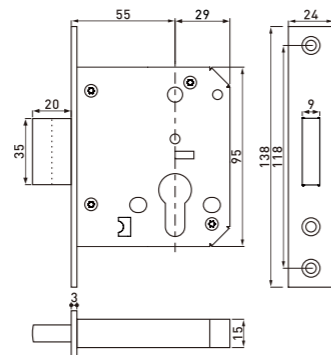
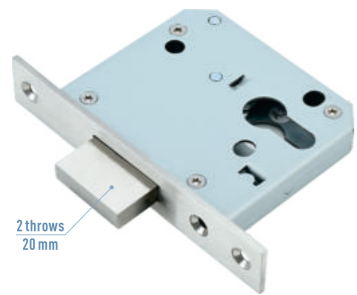
Size	
Backset	55mm
Major Parts	
Forend	304, Height: 138mm, Width: 24mm, Thickness: 3mm
Latch	304
Follower	304, Square hole: 8*8mm
Locking plate	304, Thickness: 1.5mm
Case	SECC, Thickness: 1.5mm

**55ZR**



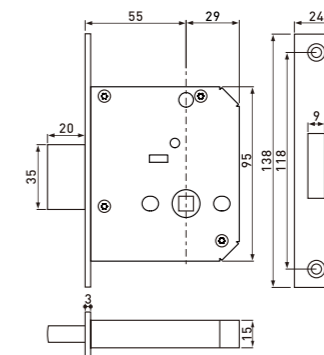
Size	
Backset	55mm
Major Parts	
Forend	304, Size: 138*24mm, Thickness: 3mm
Roller latch	303
Locking plate	304, Thickness: 1.5mm
Case	SECC, Thickness: 1.5mm

**55ZD**



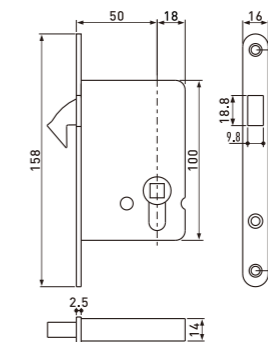
Size	
Backset	55mm
Major Parts	
Forend	304, Height: 138mm, Width: 24mm, Thickness: 3mm
Deadbolt	304, 2 throws, Projection: 20mm
Locking plate	304, Thickness: 1.5mm
Case	SECC, Thickness: 1.5mm

**55ZWC**



Size	
Backset	55mm
Major Parts	
Forend	304, Size: 138*24mm, Thickness: 3mm
Deadbolt	304, 1 throw
Thumb turn follower	304, Square hole: 5*5 / 8*8mm
Locking plate	304, Thickness: 1.5mm
Case	SECC, Thickness: 1.5mm

**50SD**



Size	
Backset	50mm
Major Parts	
Forend	304, Size: 158*16mm, Thickness: 2.5mm
Hook bolt	304, 1 throw
Locking plate	304, Thickness: 2.5mm
Case	SECC, Thickness: 1.5mm



# EMERGENCY EXIT DEVICE



## CERTIFICATE OF CONSTANCY OF PERFORMANCE

**0905-CPR-210801-02**

In compliance with Regulation 305/2011/EU of the European Parliament and of the Council of 9 March 2011 (the Construction Products Regulation), this certificate applies to the construction product(s).

<b>Product(s):</b>	<b>Building hardware – Emergency exit device(s) operated by lever handle</b> (refer to attached appendix for details and conditions)
<b>Placed on the market under the name or trade mark of:</b>	<b>Shandong Hanrui Hardware Co., Ltd.</b> Bldg 10-116, No. 10 Jingshan Road, Zhifu District, Shandong Province, China
<b>and produced in the manufacturing plant(s):</b>	<b>Hebei Jianhua Lock Industry Co., Ltd.</b> Houniutun Village, Simencun Town, Botou City, Hebei Province, China
<b>Intended use:</b>	<b>For doors on escape routes.</b>

This certificate attests that all provisions concerning the assessment and verification of constancy of performance described in Annex ZA of the standard(s):

**EN 179:2008**

Under System 1 for the performances set out in this certificate are applied and that the performance of the construction product fulfils all the prescribed requirements for these performances.

This certificate replaces **0905-CPR-210801-01**, first issued on **2021-06-02** and will remain valid as long as the test methods and/or factory production control requirements included in the harmonised standard, used to assess the performances of the declared essential characteristics, do not change, and the construction product, and the manufacturing conditions in the plant are not modified significantly, unless suspended or withdrawn by the product certification body.

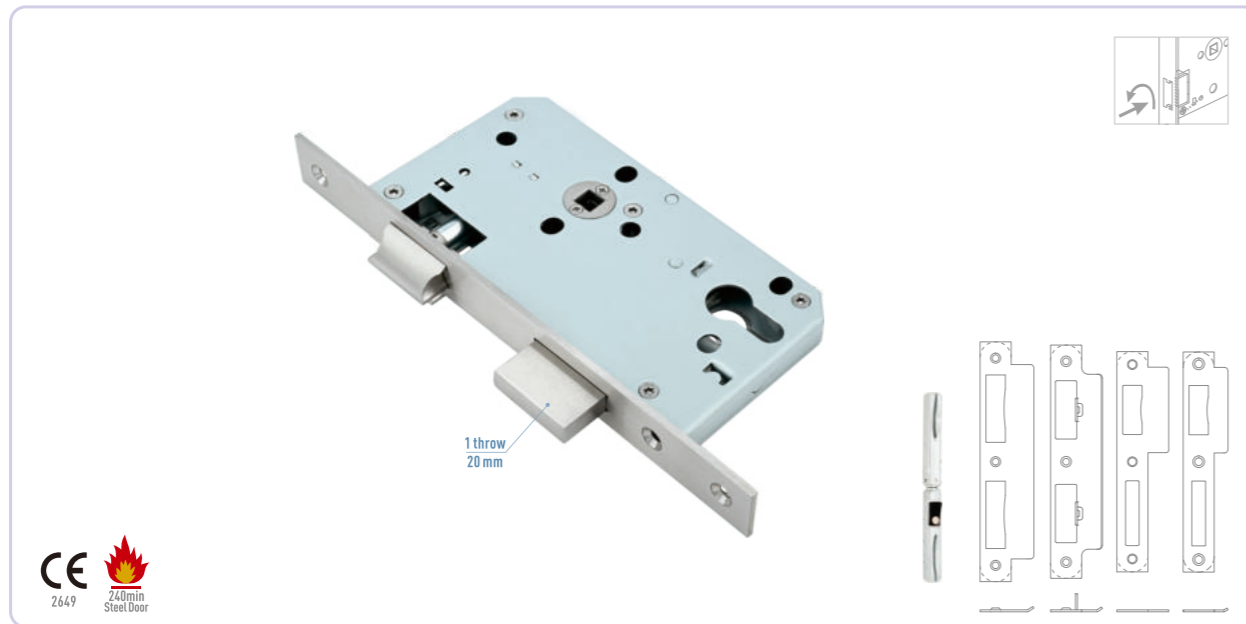


*The issued document and statement(s) herein makes reference only to a presumption of conformity in accordance with the CPR Regulations EU 305/2011 (as amended). However, it is the manufacturer's or their authorised representative's sole responsibility to affix the CE logo and, by doing so, confirms full compliance and conformity to all other European mandatory directives and regulations that may also apply.*

<b>Signature:</b>		<b>Date:</b>	<b>2023-11-06</b>
<b>Name:</b>	<b>Dipl.-Ing. Roland Heine</b>	<b>Issue:</b>	<b>02</b>
		<b>Position:</b>	<b>Certification Manager</b>

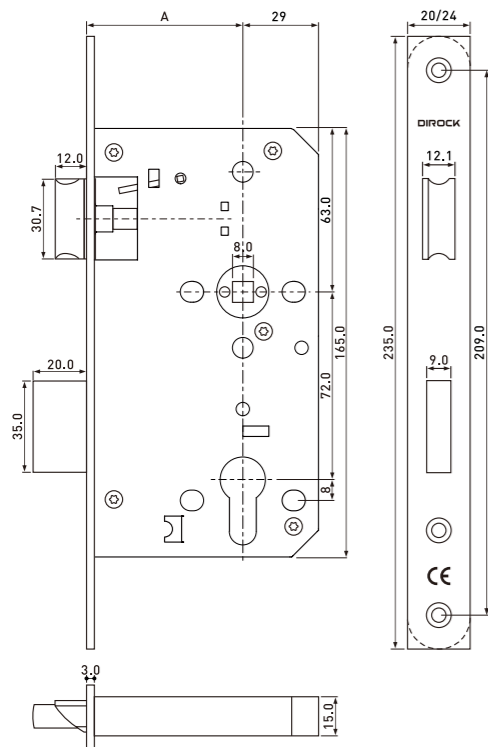
This Certificate is for the exclusive use of Intertek's client and is provided pursuant to the agreement between Intertek and its Client. Intertek's responsibility and liability are limited to the terms and conditions of the agreement. Intertek assumes no liability to any party, other than to the Client in accordance with the agreement, for any loss, expense or damage occasioned by the use of this Certificate. Only the Client is authorized to permit copying or distribution of this Certificate and then only in its entirety. Any use of the Intertek name or one of its marks for the sale or advertisement of the tested material, product or service must first be approved in writing by Intertek.

**Intertek Deutschland GmbH, Stangenstraße 1, 70771 Leinfelden-Echterdingen**  
Tel.: +49 711 27311-0 E-Mail: [nb0905@intertek.com](mailto:nb0905@intertek.com) Web: [www.intertek.de/directory](http://www.intertek.de/directory)



**Escape Mortise Lock: 72ZE** (Deadbolt: 1 throw, Projection:20mm)

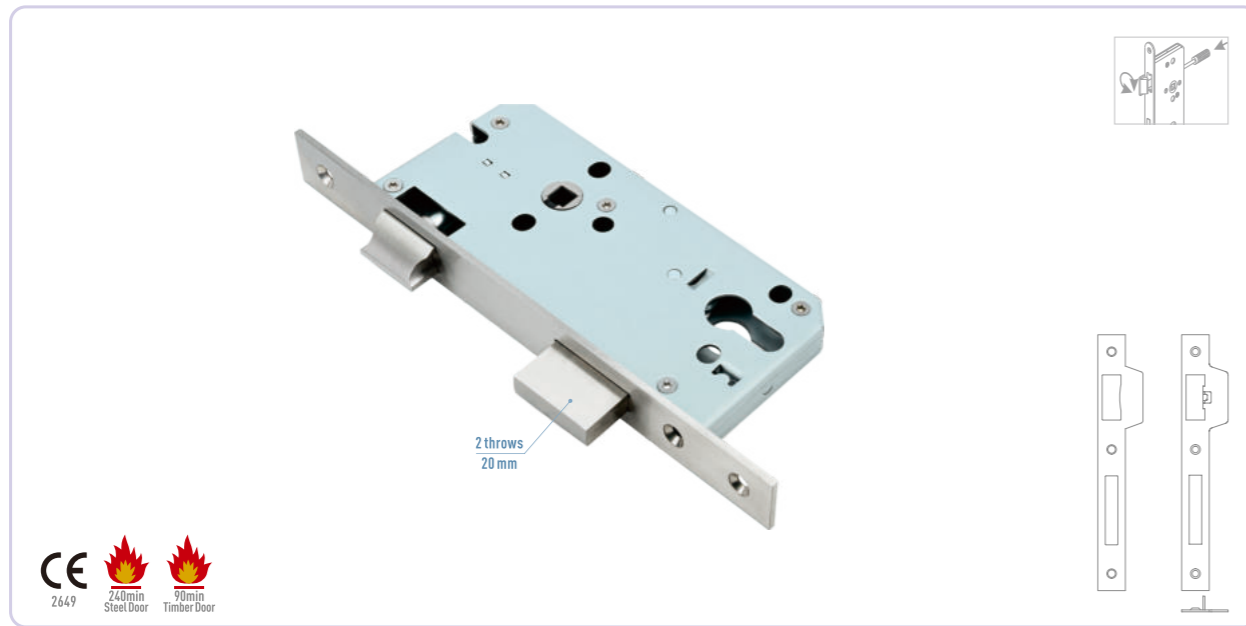
6072ZE: A=60mm



Size	
Nominal backset (A)	60 mm
Rear backset	29 mm
Center distance	72 mm
Major Parts	
Forend	304, Height: 235mm, Width: 20 / 24mm, Thickness: 3mm
Latch	304
Deadbolt	304, 1 throw, Projection:20mm
Follower	304, Square hole: 8*8mm
Locking plate	304, Thickness: 1.5mm
Case	SECC, Thickness: 1.5mm
Standard	
En179, EN 1634-1, DIN 18251	
Certification	
CE (En179)	3 7 6 B 1 4 5 2 A B/D
Fire test (En1634-1)	Steel fire door: 240 min

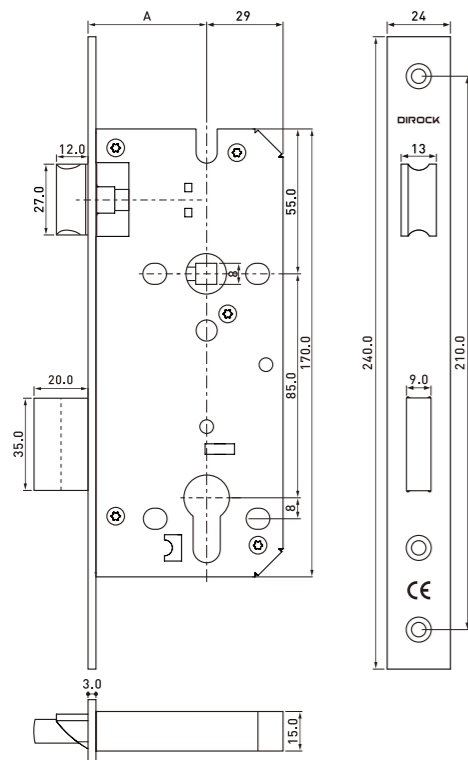
**FIRE  
RESISTANCE**



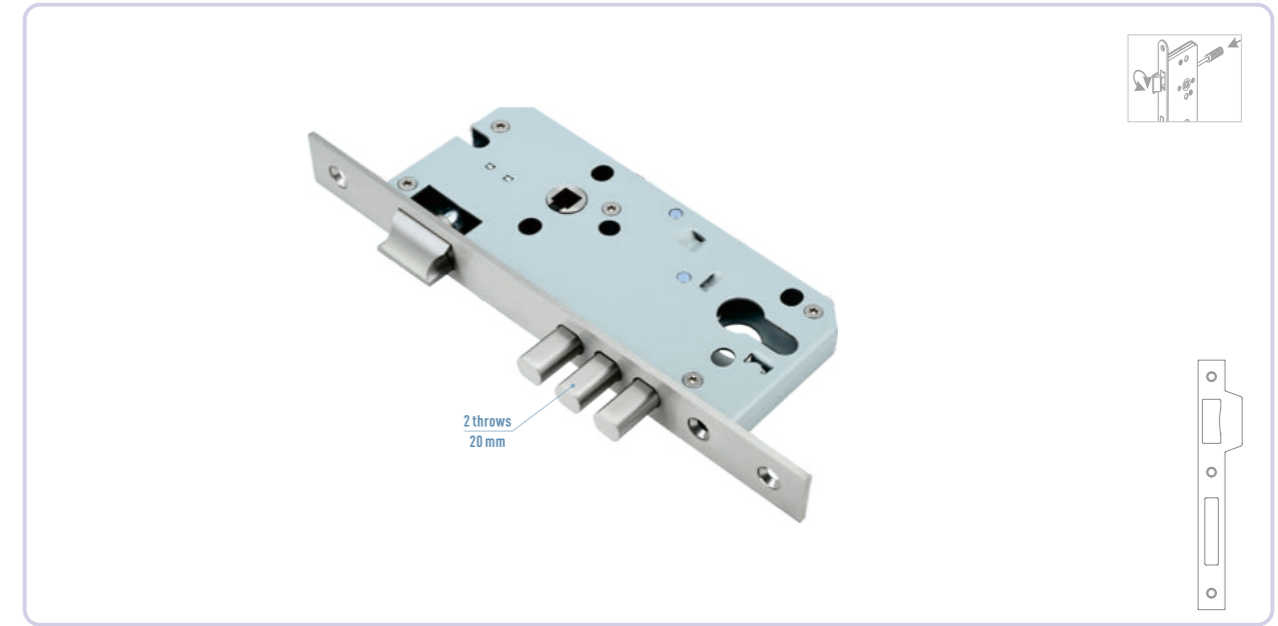


**Mortise Lock: 85Z** (Deadbolt: 2 throws, Projection:20mm)

- 4085Z: A=40 mm
- # 4585Z: A=45mm
- # 5085Z: A=50mm
- 5585Z: A=55mm
- # 6085Z: A=60mm

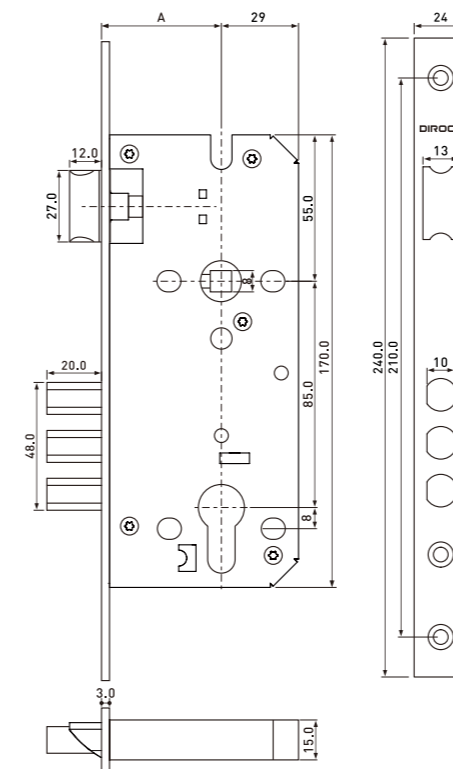


Size	
Nominal backset (A)	40 / 45 / 50 / 55 / 60 mm
Rear backset	29 mm
Center distance	85 mm
Major Parts	
Forend	304, Height: 240mm, Width: 24mm, Thickness: 3mm
Latch	304
Deadbolt	304, 2 throws, Projection:20mm
Follower	304, Square hole: 8*8mm
Locking plate	304, Thickness: 1.5mm
Case	SECC, Thickness: 1.5mm
Standard	
EN 12209, EN 1634-1	
Certification	
CE (Intertek)	3 X 9 1 0 G 3 B C 2 0
Fire test (En1634-1)	Steel fire door: #240 min Timber fire door: #90 min

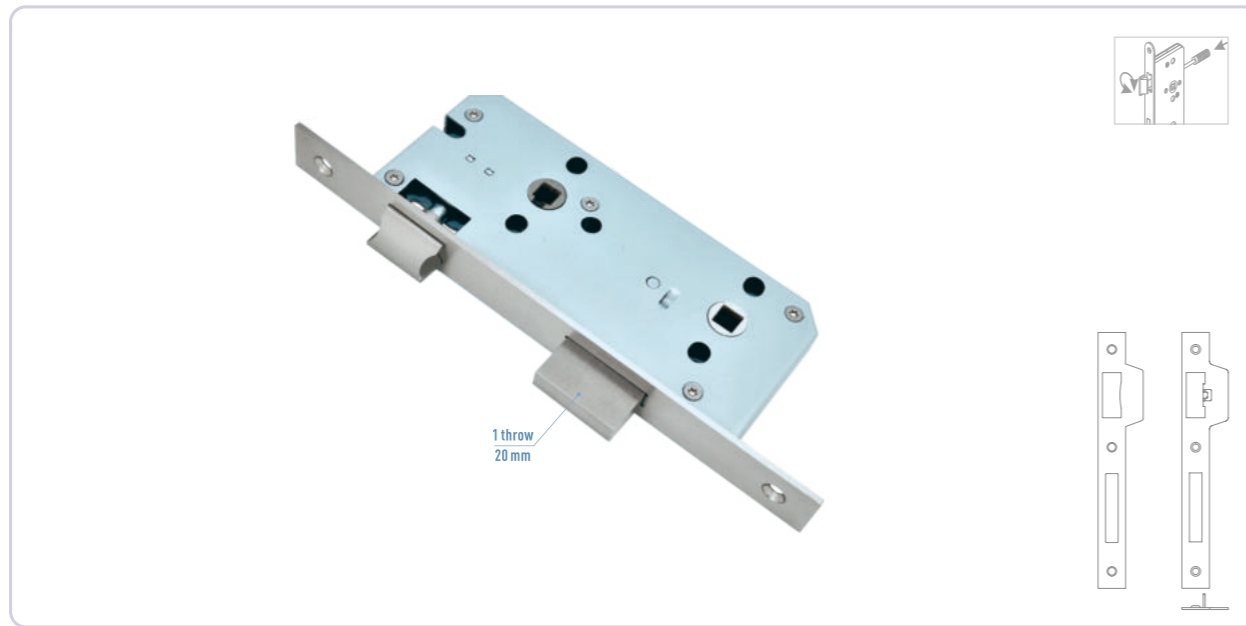


**Mortise Lock: 4585Z-3R** (Deadbolt: 2 throws, Projection:20mm)

- 4585Z-3R: A=45mm

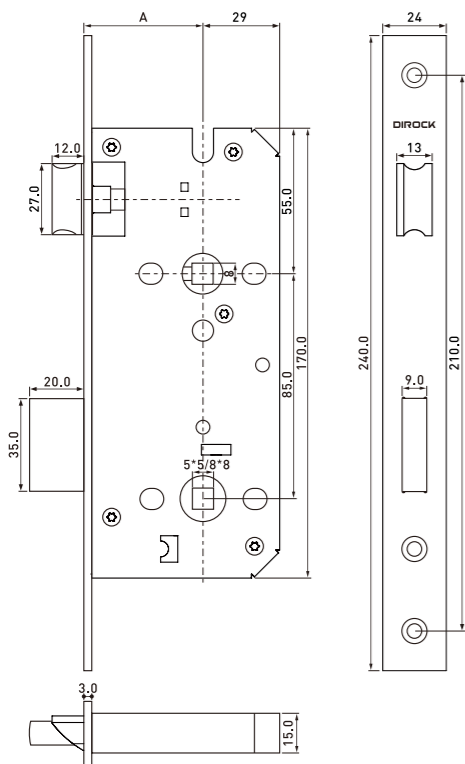


Size	
Nominal backset (A)	45 mm
Rear backset	29 mm
Center distance	85 mm
Major Parts	
Forend	304, Height: 240mm, Width: 24mm, Thickness: 3mm
Latch	304
Deadbolt	304, 2 throws, Projection:20mm
Follower	304, Square hole: 8*8mm
Locking plate	304, Thickness: 1.5mm
Case	SECC, Thickness: 1.5mm
Standard	
EN 12209	



**Bathroom Mortise Lock: 4585ZWC** (Deadbolt: 1 throw, Projection:20mm)

4585ZWC: A=45mm

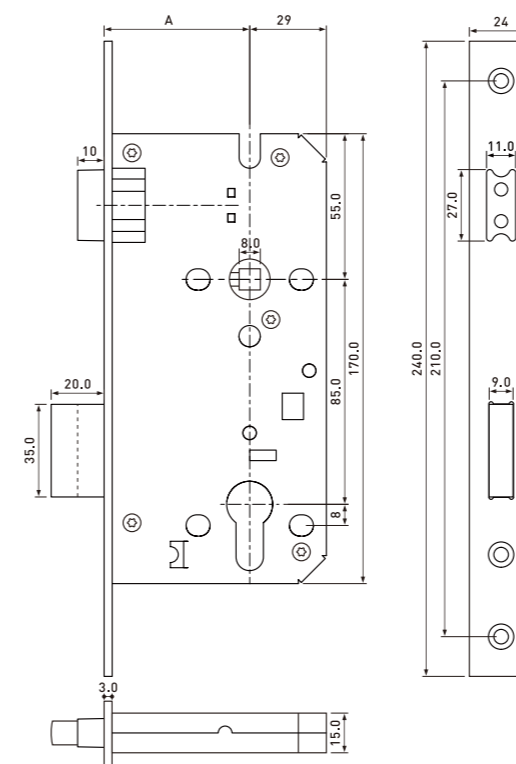


Size	
Nominal backset [A]	45 mm
Rear backset	29 mm
Center distance	85 mm
Major Parts	
Forend	304, Height: 240mm, Width: 24mm, Thickness: 3mm
Latch	304
Deadbolt	304, 1 throw, Projection:20mm
Latch follower	304, Square hole: 8*8mm
Thumb turn follower	304, Square hole:5*5/8*8mm
Locking plate	304, Thickness: 1.5mm
Case	SECC, Thickness: 1.5mm
Standard	
En12209	



**Mortise Lock: 85ZMS** (Deadbolt: 2 throws, Projection:20mm)

6085ZMS: A=60mm



Size	
Nominal backset [A]	60mm
Rear backset	29 mm
Center distance	85mm
Major Parts	
Forend	304, Height: 240mm, Width: 24mm, Thickness: 3mm
Magnet bolt	PA6+Permanent magnet
Deadbolt	304, 2 throws, Projection:20mm
Follower	304, Square hole: 8*8mm
Locking plate	304, Thickness: 3mm
Case	SECC, Thickness: 1.5mm
Standard	
EN 12209	

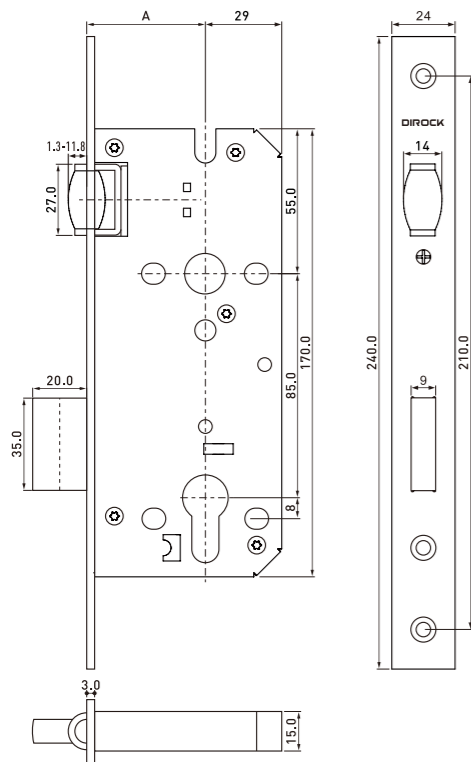


**Roller latch Mortise Lock: 85ZR** (Deadbolt: 2 throws, Projection:20mm)

5085ZR: A=50mm

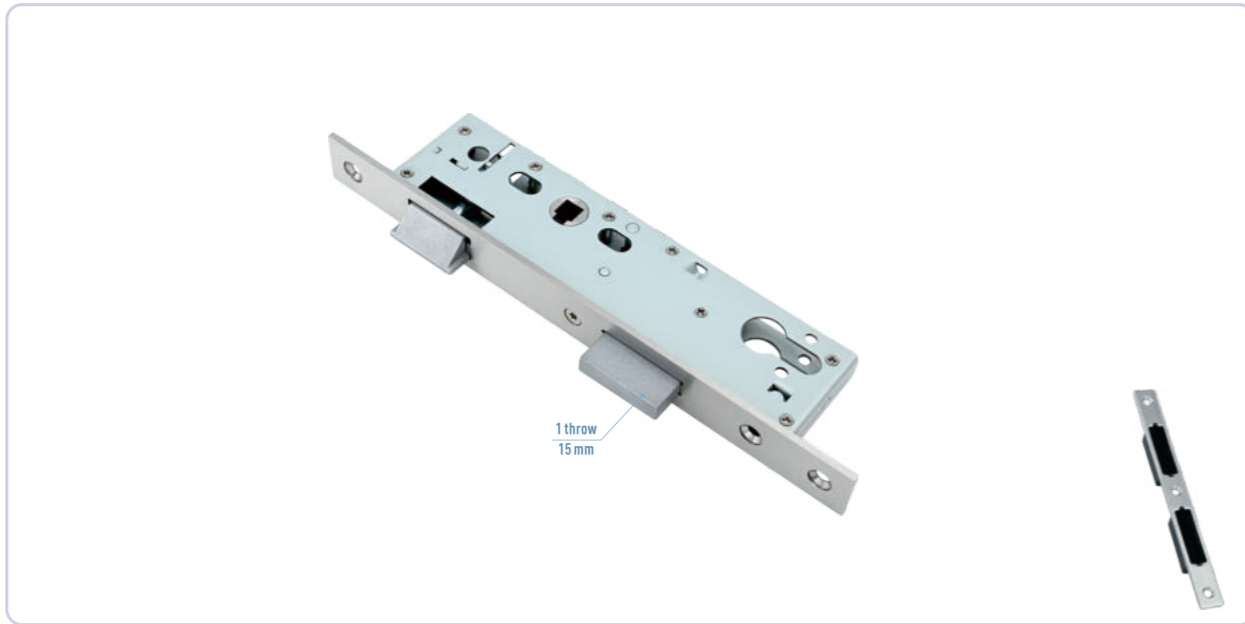
5585ZR: A=55mm

6085ZR: A=60mm



Size	
Nominal backset [A]	50 / 55 / 60 mm
Rear backset	29 mm
Center distance	85 mm
Major Parts	
Forend	304, Height:240mm, Width: 24mm, Thickness: 3mm
Roller latch	303
Deadbolt	304, 2 throws, Projection:20mm
Locking plate	304, Thickness: 1.5mm
Case	SECC, Thickness: 1.5mm
Standard	
En12209	



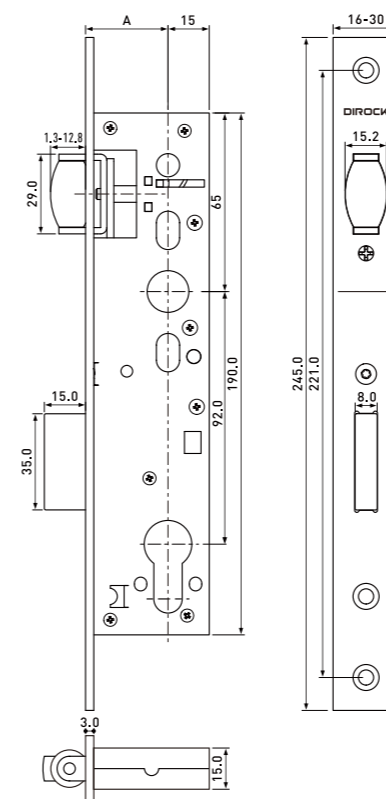
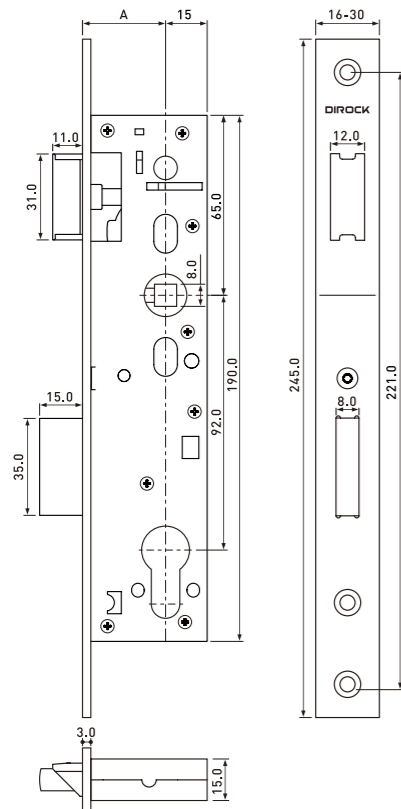


**Mortise Frame Lock: 92Z** (Deadbolt: 1 throw, Projection:15mm)

**Mortise Frame Lock: 92ZR** (Deadbolt: 1 throw, Projection:15mm)

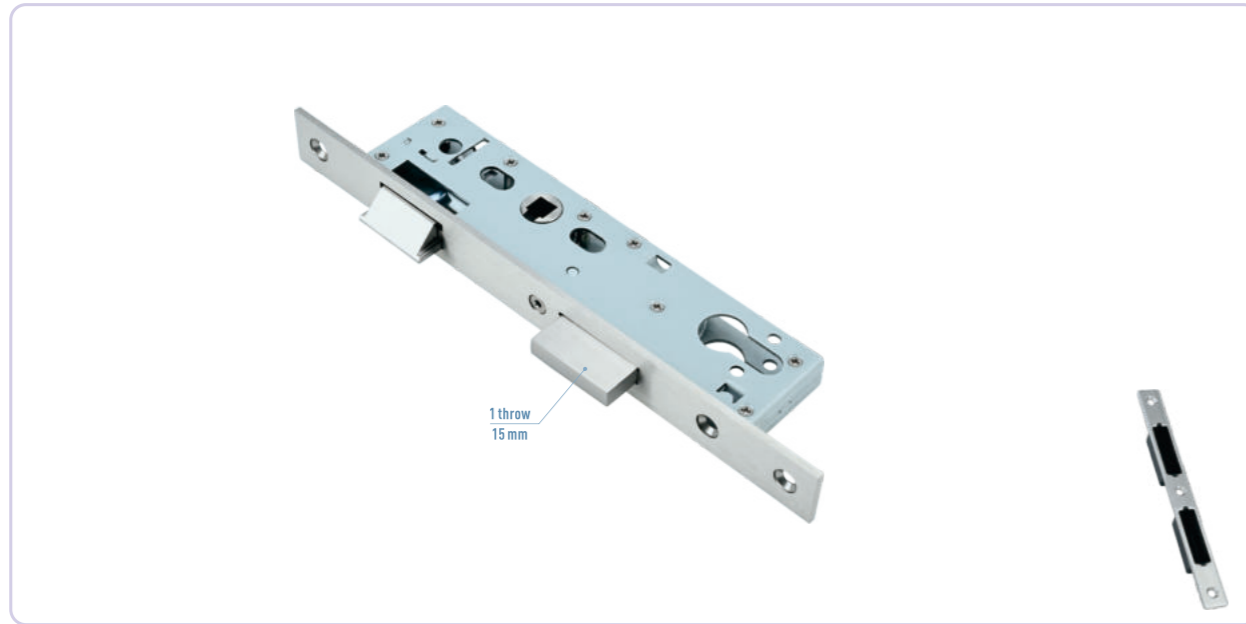
3092Z: A=30mm  
3592Z: A=35mm  
4092Z: A=40mm

3092ZR: A=30mm  
3592ZR: A=35mm



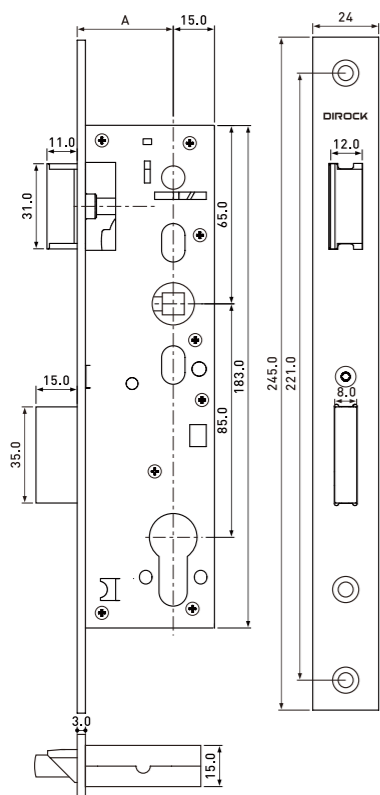
Size	
Nominal backset (A)	30 / 35 / 40 mm
Rear backset	15 mm
Center distance	92 mm
Major Parts	
Forend	304, Height: 245mm, Width: 16-30mm, Thickness: 3mm
Latch	Zamak 5 (ZnNi plating), 304
Deadbolt	Zamak 5 (ZnNi plating), 304 1 throw, projection: 15mm
Follower	304, Square hole: 8*8mm
Locking plate	304, Thickness: 3.0mm
Case	SECC, Thickness: 1.5mm
Standard	
EN12209, DIN18251	

Size	
Nominal backset (A)	30 / 35 mm
Rear backset	15 mm
Center distance	92 mm
Major Parts	
Forend	304, Height: 245mm, Width: 16-30mm, Thickness: 3mm
Roller Latch	303
Deadbolt	Zamak 5 (ZnNi plating), 304 1 throw, projection: 15mm
Follower	304, Square hole: 8*8mm
Locking plate	304, Thickness: 2.0mm
Case	SECC, Thickness: 1.5mm
Standard	
EN 12209, DIN18251	



**Mortise Frame Lock: 85Z** (Deadbolt: 1 throw, Projection:15mm)

3085Z: A=30mm  
3585Z: A=35mm

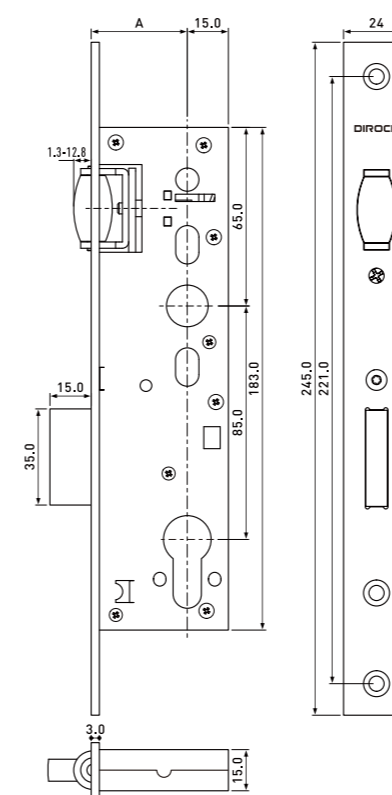


Size	
Nominal backset (A)	30 / 35 mm
Rear backset	15 mm
Center distance	85 mm
Major Parts	
Forend	304, Height: 245mm, Width: 16-30mm, Thickness: 3mm
Latch	Zamak 5 (ZnNi plating), 304
Deadbolt	Zamak 5 (ZnNi plating), 304 1 throw, projection: 15mm
Follower	304, Square hole: 8*8mm
Locking plate	304, Thickness: 3.0mm
Case	SECC, Thickness: 1.5mm
Standard	
En12209	



**Mortise Frame Lock: 85ZR** (Deadbolt: 1 throw, Projection:15mm)

3085ZR: A=30mm  
3585ZR: A=35mm



Size	
Nominal backset (A)	30 / 35 mm
Rear backset (AK)	15 mm
Center distance	85 mm
Major Parts	
Forend	304, Height: 245mm, Width: 16-30mm, Thickness: 3mm
Roller Latch	303
Deadbolt	304, 1 throw, projection: 15mm
Follower	304, Square hole: 8*8mm
Locking plate	304, Thickness: 2.0mm
Case	SECC, Thickness: 1.5mm
Standard	
EN 12209	

# PANIC EXIT DEVICE



**Mortise Multipoint Lock: M9230**

Size	
Distance to contact surface (A-H)	30 mm
Rear backset	
Center distance (E)	92 mm
Hole for spindle square (Q)	8.1 mm
Major Parts	
Forend	304, Height: 245mm, Width:16-30mm, Thickness: 3mm
Latch	Zamak 5 (ZnNi plating), 304
Deadbolt	Zamak 5 (ZnNi plating), 304 1 throw,projection:15mm
Follower	304, Square hole: 8*8mm
Locking plate	304, Thickness: 3.0mm
Case	SECC, Thickness: 1.5mm
Standard	
En15685, DIN18251	



**CE Certificate (Panic Exit Devices)**  
Standard: EN 1125-Panic exit devices operated by a horizontal bar, for use on escape routes



# CERTIFICATE OF CONSTANCY OF PERFORMANCE

0905-CPR-241094-01

In compliance with Regulation (EU) No 305/2011 of the European Parliament and of the Council of 9 March 2011 (the Construction Products Regulation or CPR), this certificate applies to the construction product(s)

**Product(s):** Building hardware – Panic exit device(s) operated by a horizontal bar (refer to attached appendix for details and conditions)  
**Placed on the market under the name or trade mark of:** Shandong Hanrui Hardware Co., Ltd.  
 Bldg 10-116, No.10 Jingshan Road, Zhifu District, Yantai City, Shandong Province, China  
**and produced in the manufacturing plant(s):** SG-24348  
**Intended use:** For doors on escape routes.

This certificate attests that all provisions concerning the assessment and verification of constancy of performance described in Annex ZA of the standard(s):

**EN 1125:2008**

Under System 1 for the performances set out in this certificate are applied and that the performance of the construction product fulfils all the prescribed requirements for these performances

This certificate was first issued on **2024-12-13** and will remain valid as long as the test methods and/or factory production control requirements included in the harmonised standard, used to assess the performances of the declared essential characteristics, do not change, and the construction product, and the manufacturing conditions in the plant are not modified significantly, unless suspended or withdrawn by the product certification body

*The issued document and statement(s) herein makes reference only to a presumption of conformity in accordance with the CPR Regulations EU 305/2011(as amended). However, it is the manufacturer's or their authorised representative's sole responsibility to affix the CE logo and, by doing so, confirms full compliance and conformity to all other European mandatory directives and regulations that may also apply.*



0905

Signature:

Name:

Dipl.-Ing. Roland Heine

Date:

2024-12-13

Issue:

01

Position:

Certification Manager

This Certificate is for the exclusive use of Intertek's client and is provided pursuant to the agreement between Intertek and its Client. Intertek's responsibility and liability are limited to the terms and conditions of the agreement. Intertek assumes no liability to any party, other than to the Client in accordance with the agreement, for any loss, expense or damage occasioned by the use of this Certificate. Only the Client is authorized to permit copying or distribution of this Certificate and then only in its entirety. Any use of the Intertek name or one of its marks for the sale or advertisement of the tested material, product or service must first be approved in writing by Intertek.

Intertek Deutschland GmbH, Stangenstraße 1, 70771 Leinfelden-Echterdingen  
 Tel.: +49 711 27311-0 E-Mail: nb0905@intertek.com Web: www.intertek.de/directory

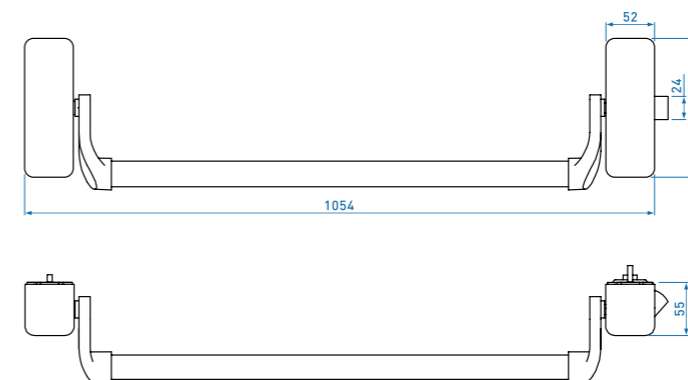
121493

Page 1 of 6

RFT-EU-NB-OP-23v5



**Rim Type Push-bar**  
Panic Exit Device: 350P(Iron) / 350S(Stainless steel)



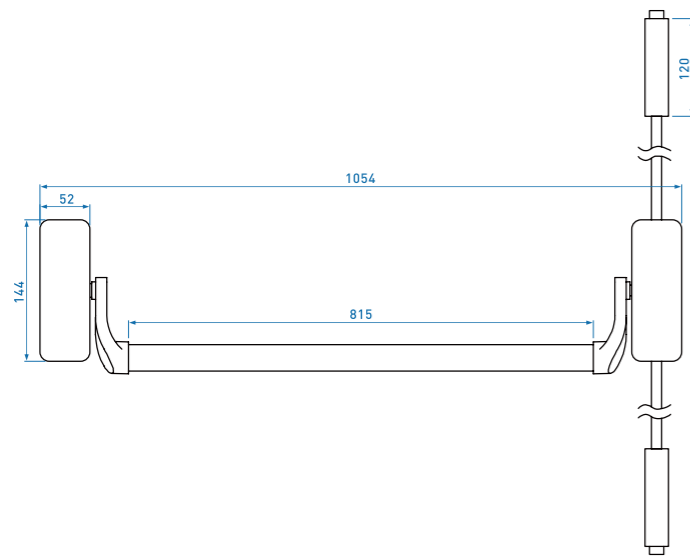
Size	
Length	1054mm, Customized
Major Parameter	
Latch	304
Keeper	304
Horizontal bar	304, Iron
Door leaf mass	200 kg
Field of door application	Single door, Double door: active or inactive leaf
Standard	
EN 1125, EN 1634-1	
Certification	
CE (Intertek)	3 7 6 B 1 4 2 2 A A
Fire test (En1634-1)	Single steel door: 240 min Double steel door: 132 min



**Rim Type Push-bar**  
**Panic Exit Device: 360P**(Iron) / **360S**(Stainless steel)



**Rim Type Push-bar**  
**Panic Exit Device: 450P**(Iron) / **450S**(Stainless steel)



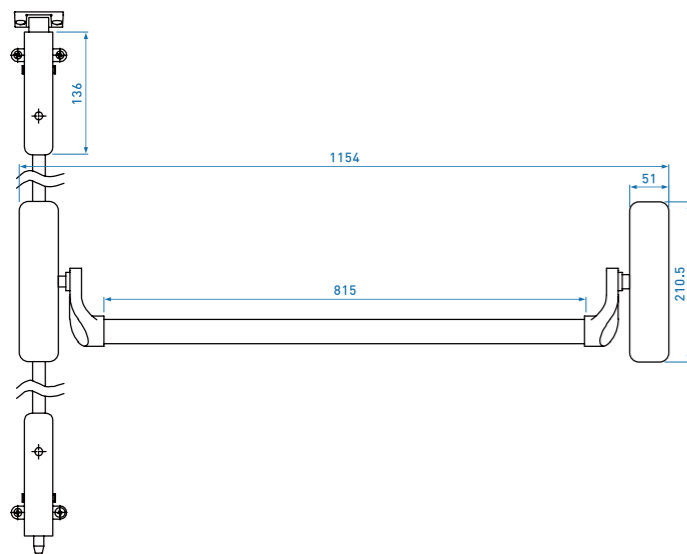
Size	
Length	1054mm, Customized
Door height	2100mm, Customized
Major Parameter	
Latch	304
Keeper	304
Horizontal bar	304, Iron
Door leaf mass	200 kg
Field of door application	Double door: inactive leaf
Standard	
EN 1125, EN 1634-1	
Certification	
CE (Intertek)	3 7 6 B 1 4 2 2 A C
Fire test (En1634-1)	Double steel door: 132 min



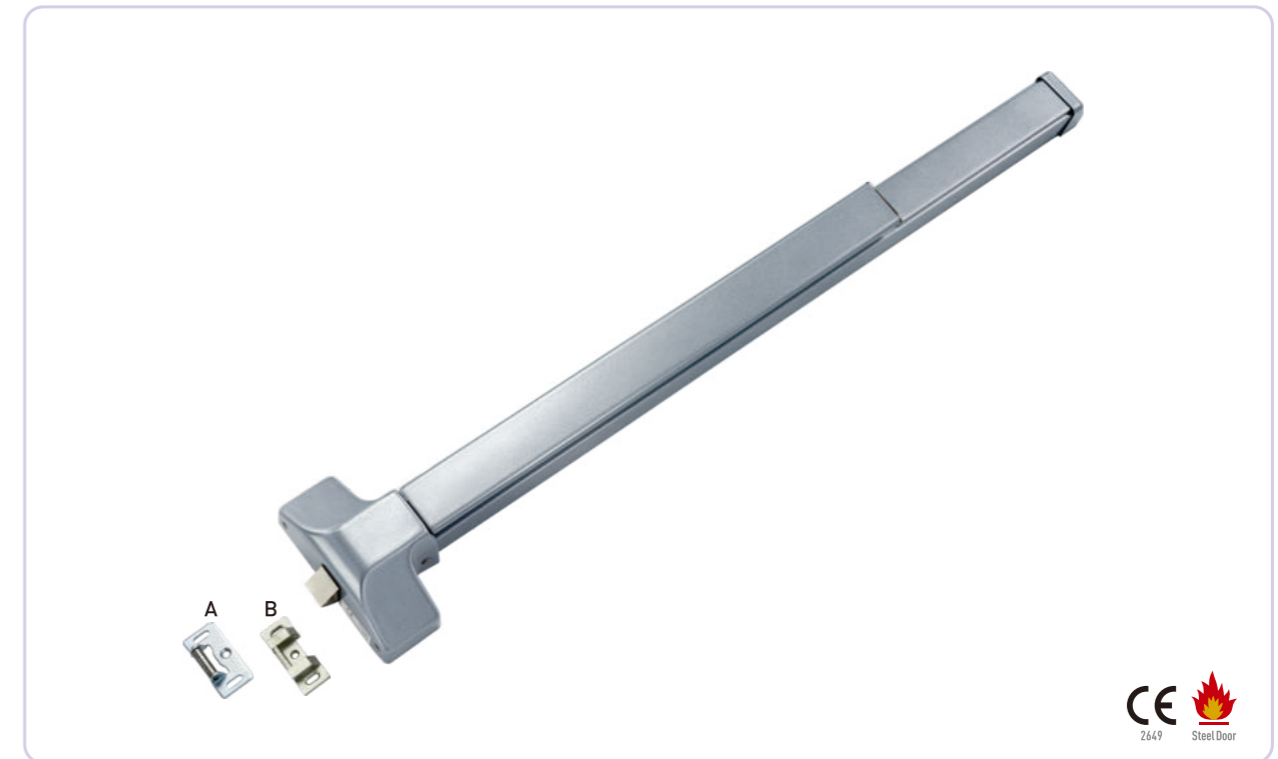
Size	
Length	1154mm, Customized
Major Parameter	
Latch	304
Keeper	304
Horizontal bar	304, Iron
Door leaf mass	200 kg
Field of door application	Single door, Double door: active or inactive leaf
Standard	
EN 1125, EN 1634-1	
Certification	
CE (Intertek)	3 7 6 B 1 4 2 2 A A
Fire test (En1634-1)	Single steel door: 240 min Double steel door: 132 min



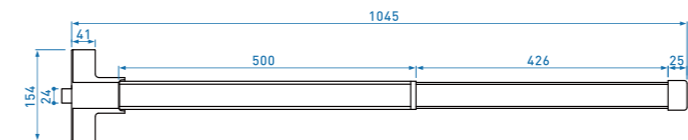
**Rim Type Push-bar**  
Panic Exit Device: **460P**(Iron) / **460S**(Stainless steel)



Size	
Length	1154mm, Customized
Door height	2100mm, Customized
Major Parameter	
Latch	304
Keeper	304
Horizontal bar	304, Iron
Door leaf mass	200 kg
Field of door application	Double door: inactive leaf
Standard	
EN 1125, EN 1634-1	
Certification	
CE (Intertek)	3 7 6 B 1 4 2 2 A C
Fire test (En1634-1)	Double steel door: 132 min



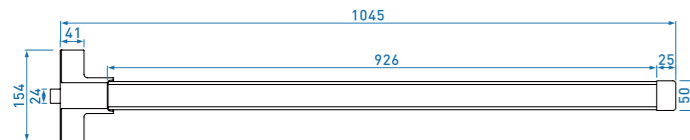
**Rim Type Touch-bar**  
Panic Exit Device: **500P**(Iron) / **500S**(Stainless steel)



Size	
Length	1045mm, Customized (≥650mm)
Major Parameter	
Latch	304
Keeper	304, Iron
Horizontal bar	304, Iron
Door leaf mass	200 kg
Field of door application	Single door, Double door: active or inactive leaf
Standard	
EN 1125, EN 1634-1	
Certification	
CE (Intertek)	3 7 6 B 1 4 2 2 B A
Fire test (En1634-1)	Single steel door: 132 min Double steel door: 240 min



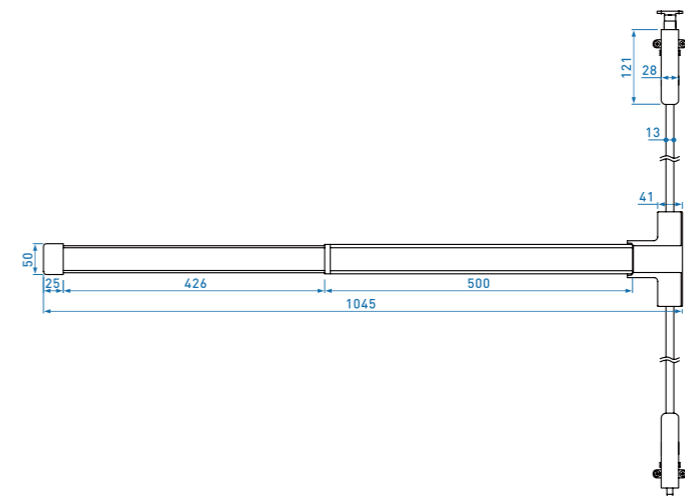
**Rim Type Touch-bar**  
Panic Exit Device: 500-1P(Iron) / 500-1S(Stainless steel)



Size	
Length	1045mm, Customized
Major Parameter	
Latch	304
Keeper	304, Iron
Horizontal bar	304, Iron
Door leaf mass	200 kg
Field of door application	Single door, Double door: active or inactive leaf
Standard	
EN 1125, EN 1634-1	
Certification	
CE (Intertek)	3 7 6 B 1 4 2 2 B A
Fire test (En1634-1)	Single steel door: 132 min Double steel door: 240 min



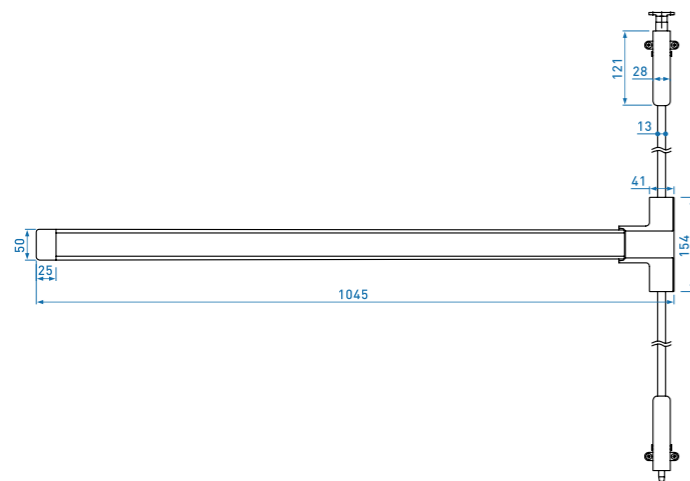
**Rim Type Touch-bar**  
Panic Exit Device: 560P(Iron) / 560S(Stainless steel)



Size	
Length	1045mm, Customized (≥650mm)
Door height	2100mm, Customized
Major Parameter	
Latch	304
Keeper	Iron
Horizontal bar	304, Iron
Door leaf mass	200 kg
Field of door application	Double door: inactive leaf
Standard	
EN 1125, EN 1634-1	
Certification	
CE (Intertek)	3 7 6 B 1 4 2 2 B C
Fire test (En1634-1)	Double steel door: 240 min



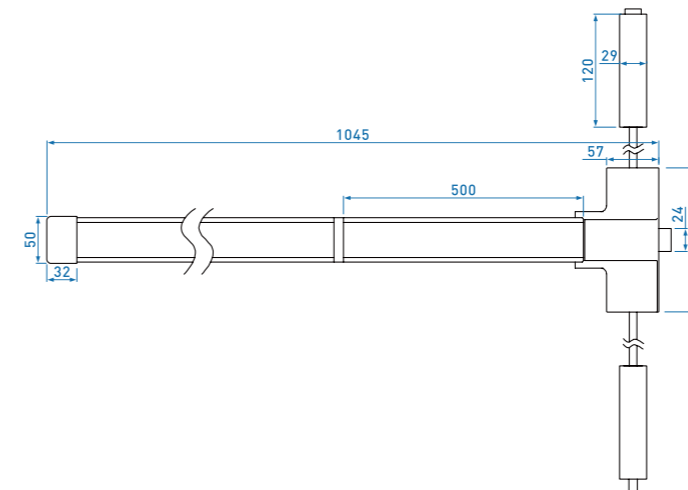
**Rim Type Touch-bar**  
**Panic Exit Device: 560-1P(Iron) / 560-1S(Stainless steel)**



Size	
Length	1045mm, Customized
Door height	2100mm, Customized
Major Parameter	
Latch	304
Keeper	Iron
Horizontal bar	304, Iron
Door leaf mass	200 kg
Field of door application	Double door: inactive leaf
Standard	
EN 1125, EN 1634-1	
Certification	
CE (Intertek)	3 7 6 B 1 4 2 2 B C
Fire test (En1634-1)	Double steel door: 240 min



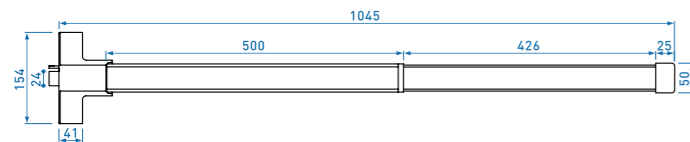
**Rim Type Touch-bar**  
**Panic Exit Device: 583P(Iron) / 583S(Stainless steel)**



Size	
Length	1045mm, Customized (≥650mm)
Door height	2100mm, Customized
Major Parameter	
Latch	304
Keeper	Iron
Horizontal bar	304, Iron
Door leaf mass	200 kg
Field of door application	Single door
Standard	
EN 1125, EN 1634-1	
Certification	
CE (Intertek)	3 7 6 B 1 4 2 2 B B
Fire test (En1634-1)	Single steel door: 132 min

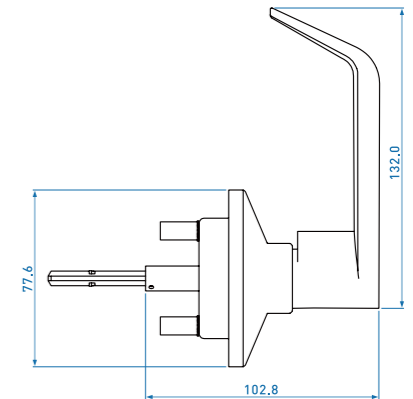


**Rim Type Touch-bar**  
Panic Exit Device: **F5000P**(Iron) / **F5000S**(Stainless steel)

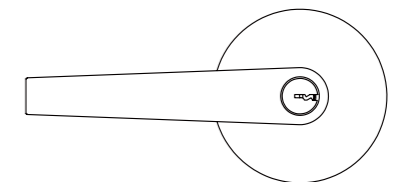
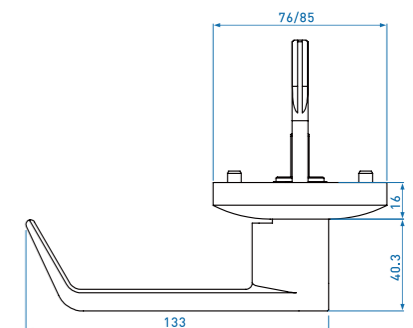


Size	
Length	1045mm, Customized (≥650mm)
Major Parameter	
Latch	304
Anti-thrust latch	304
Keeper	304
Horizontal bar	304, Iron
Door leaf mass	200 kg
Field of door application	Single door, Double door: active or inactive leaf
Standard	
EN 1125, EN 1634-1	
Certification	
CE (Intertek)	3 7 6 B 1 4 2 2 B A
Fire test (En1634-1)	Single steel door: 132 min Double steel door: 240 min

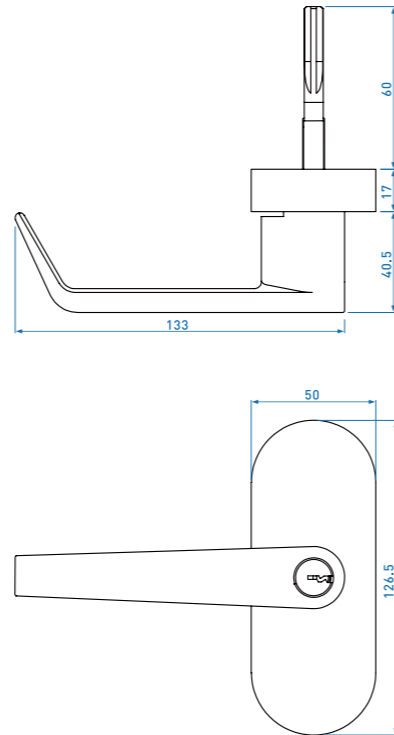
**Rim Type**  
Outside Access Device: **006**



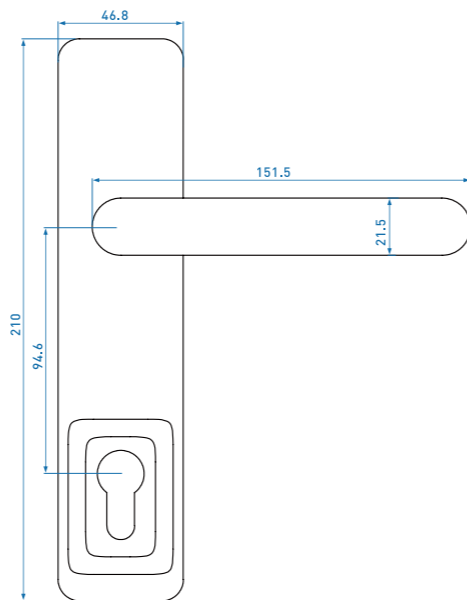
**Rim Type**  
Outside Access Device: **017**



Rim Type  
Outside Access Device: 018



Rim Type  
Outside Access Device: 008E



# LEVER HANDLE



## Standards and Certification

EN1906:2012 - Lever handles and knob furniture

### Category of use

Grade 1: medium frequency of use by people with a high incentive to exercise care and with a small chance of misuse, e.g. internal residential doors;  
Grade 2: medium frequency of use by people with some incentive to exercise care but where there is some chance of misuse, e.g. internal office doors;  
Grade 3: high frequency of use by public or others with little incentive to exercise care and with a high chance of misuse, e.g. public office doors;  
Grade 4: high frequency of use on doors which are subject to frequent violent usage, e.g. football stadiums, offshore installations (oil rigs), barracks, public toilets, etc.

### Durability

Grade 6 : medium frequency of use: 100 000 cycles;  
Grade 7 : high frequency of use: 200 000 cycles.

### Corrosion resistance (EN1670)

Grade 0 : No defined corrosion resistance  
Grade 1 : Mild resistance, 24 h  
Grade 2 : Moderate resistance, 48 h  
Grade 3 : High resistance, 96h  
Grade 4 : Very high resistance, 240 h  
Grade 5 : Extremely high resistance, 480 h

### Type of operation

Type A: spring-assisted furniture;  
Type B: spring-loaded furniture;  
Type U: unsprung furniture.

**3 7 - B 1 4 0 B**

**Door mass**  
No classification

### Fire resistance

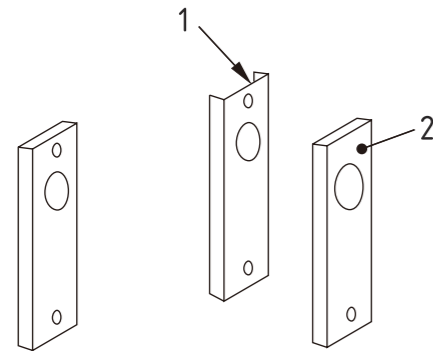
Grade 0 : no performance determined;  
Grade A : for use on smoke-control doors;  
Grade A1 : for use on smoke-control doors, tested with 200 000 cycles on a test door;  
Grade B : for use on smoke-control and fire-resistant doors;  
Grade B1 : for use on smoke-control and fire-resistant doors, tested with 200 000 cycles on a test door;  
Grade C : for use on smoke-control and fire-resistant doors with requirements for fire protection inlays in backplate, rose and escutcheon;  
Grade C1 : for use on smoke-control and fire-resistant doors with requirements for fire protection inlays in backplate, rose and escutcheon, tested with 200 000 cycles on a test door;  
Grade D : for use on smoke-control and fire-resistant doors with requirements for special core in the handle/knob;  
Grade D1 : for use on smoke-control and fire-resistant doors with requirements for special core in the handle/knob, tested with 2000 000 cycles on a test door.

### Safety

Grade 0: normal use;  
Grade 1: safety applications

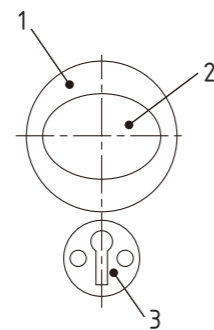
### Security

Grade 0 : no performance determined;  
Grade 1 : mild burglary resistance;  
Grade 2 : moderate burglary resistance;  
Grade 3 : high burglary resistance;  
Grade 4 : extra high burglary resistance

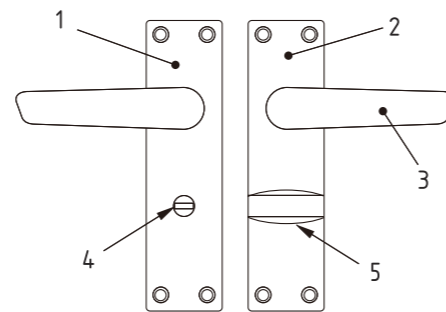


One part backplate

Two part backplate  
1 Baseplate  
2 Trim plate



Rose lever handle  
1 Rose  
2 Door knob  
3 Escutcheon



Backplate lever handle  
1 External plate 4 Emergency release  
2 Internal plate 5 Thumb turn  
3 Lever handle

## INTERTEK Test (Lever Handle Furniture-Grade 3)



# Test Verification of Conformity

Verification Number: 200831030GZU-VOC001

On the basis of the tests undertaken, the sample<s>of the below produ ct have been found to comply with the requirements of the referenced specification<s>standard<s> at the time the tests were carried out. This verification is part of the full test report<s>and should be read in conjunction with it <them>

Applicant Name & Address:	Shandong Hanrui Hardware Co., Ltd. Bldg 10-116, No.10 Jingshan Road, Zhifu District, Shandong Province, China								
Product Description:	Stainless steel lever handle								
Ratings & Principle Characteristics:	<table border="1" style="display: inline-table;"><tr><td>3</td><td>7</td><td>-</td><td>B1</td><td>1</td><td>4</td><td>0</td><td>B</td></tr></table> Fire resistant time: 132 minutes for steel door, 65 minutes for timber door	3	7	-	B1	1	4	0	B
3	7	-	B1	1	4	0	B		
Models/Type References:	SS4001, SS4002, SS4003, SS4005, SS4008								
Brand Names:	Dirock								
Specification<s>Standards:	EN 1906:2012 Building hardware Lever handles and knob furniture Requirements and test methods								
Verification Issuing Office Name & Address:	Intertek Testing Services Shenzhen Ltd. Guangzhou Branch Room 4103 & 4203, No. 63, Punan Road, Huangpu District, Guangzhou, China								
Date of Tests:	Mechanical performance test date: 2020-09-03~2020-09-18 and 2017-10-16~2017-12-06 Fire resistant date: 2022-06-14 and 2022-06-22								
Test Report Number(s):	200831030GZU-001 dated 2020-09-23, 220413102GZU-001-R1 dated 2022-08-08 220318003SHF-002-R1 dated 2022-08-15								

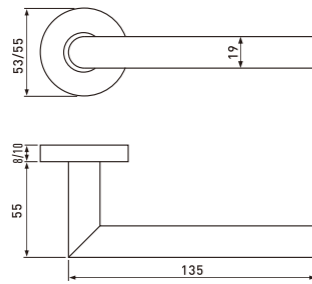
*Nelson Zhu*

Signature

Name: Nelson Zhu  
Position: Technical Supervisor  
Date: 24 August 2022

This Verification is for the exclusive use of Intertek's client and is provided pursuant to the agreement between Intertek and its Client. Intertek's responsibility and liability are limited to the terms and conditions of the agreement. Intertek assumes no liability to any party, other than to the Client in accordance with the agreement, for any loss, expense or damage occasioned by the use of this Verification. Only the Client is authorized to permit copying or distribution of this Verification. Any use of the Intertek name or one of its marks for the sale or advertisement of the tested material, product or service must first be approved in writing by Intertek. The observations and test/inspection results referenced in this Verification are relevant only to the sample tested/inspected. This Verification by itself does not imply that the material, product, or service is or has ever been under an Intertek certification program.

4001



**Spring-loading Lever handle on Rose**

**Major Parameter**

Handle	304, Thickness:1.0/1.2 mm
Trim plate	304, Thickness:0.8mm
Baseplate	Iron, Thickness: 1.2/1.5mm 201, Thickness:1.2mm
Core	Brass, Iron, 304
Spindle	8*8mm

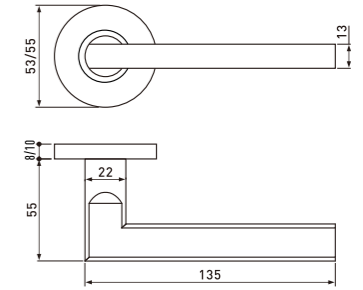
**Standard**

En1906, DIN18255, DIN18273

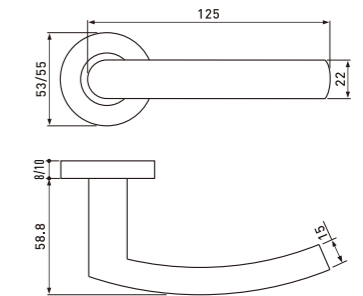
**Certification (Grade 3)**

En1906	3 7 - B1 1 4 0 B	
Fire test (En1634-1)	Steel fire door: 120mins	Timber fire door: 60mins

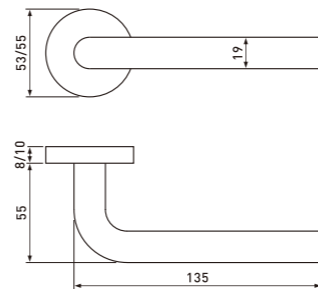
4004



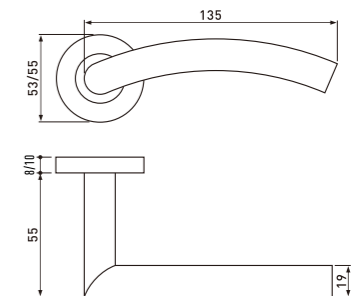
4005



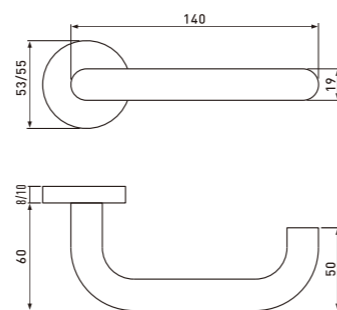
4002



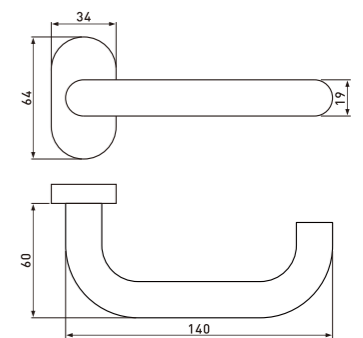
4008



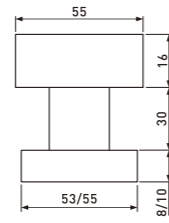
4003



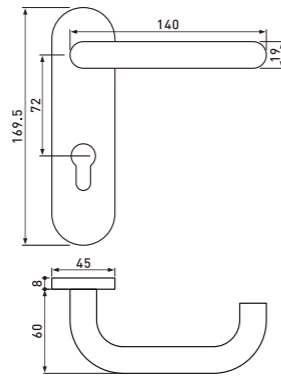
643403-10B



4055

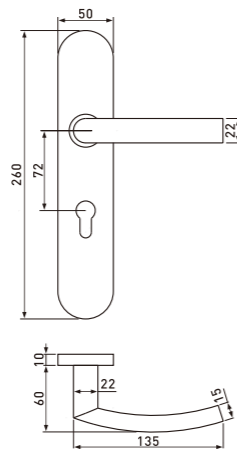


2003



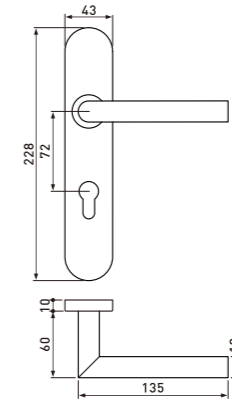
Lever handle furniture on Backplate	
Major Parts	
Handle	304, Thickness:1.0/1.2mm
Trim plate	304, Thickness:0.8mm
Baseplate	Iron, Thickness: 1.2mm
Core	Brass, Iron, 304
Spindle	8*8mm
Standard	
En1906	

207205



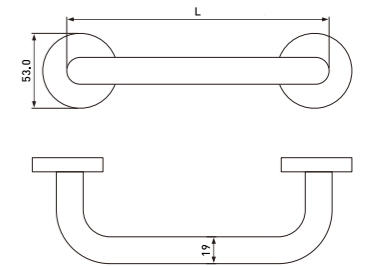
Lever handle furniture on Backplate	
Major Parts	
Handle	304, Thickness:1.0/1.2mm
Trim plate	304, Thickness:1.0 mm
Baseplate	Iron, Thickness: 1.5 mm
Core	Brass, Iron
Spindle	8*8*110 mm
Standard	
En1906	

307201



Lever handle furniture on Backplate	
Major Parts	
Handle	304, Thickness:1.0mm
Trim plate	304, Thickness: 0.8 mm
Baseplate	Iron, Thickness: 1.2 mm
Core	Brass, Iron
Spindle	8*8*110 mm
Standard	
En1906	

G03



**INTERTEK Test (Lever Handle Furniture- Grade 4)**



# Test Verification of Conformity

Verification Number: 211202092GZU-VOC001

On the basis of the tests undertaken, the sample(s) of the below product have been found to comply with the requirements of the referenced specification(s)/standard(s) at the time the tests were carried out. This verification is part of the full test report(s) and should be read in conjunction with it/them

Applicant Name & Address:	Shandong Hanrui Hardware Co., Ltd. Bldg 10-116, No.10 Jingshan Road, Zhifu District, Yantai City, Shandong Province, China
Product Description:	Stainless steel Lever handle
Ratings & Principle Characteristics:	4 7 - B1 1 5 0 B Durability: 300,000 cycles
Models/Type References:	SS4003-19SS
Brand Names:	DIROCK
Specification(s)/Standards:	EN 1906:2012 Building hardware Lever handles and knob furniture Requirements and test methods
Verification Issuing Office Name & Address:	Intertek Testing Services Shenzhen Ltd. Guangzhou Branch Room 4103 & 4203, No. 63, Punan Road, Huangpu District, Guangzhou, China
Date of Tests:	2021-12-7~2021-12-27, 2021-03-11
Test Report Number(s):	211202092GZU-001 DATED 2022-01-05, 201130017SHF-002 DATED 2021-03-16

*Nelson Zhu*

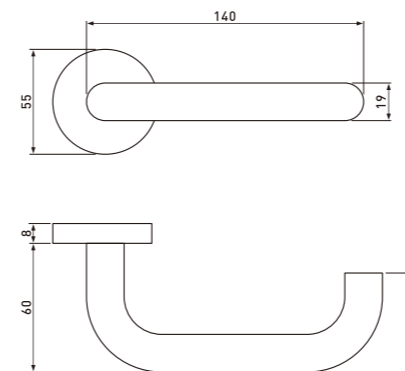
Signature

Name: Nelson Zhu  
Position: Technical Supervisor  
Date: 05 January 22

This Verification is for the exclusive use of Intertek's client and is provided pursuant to the agreement between Intertek and its Client. Intertek's responsibility and liability are limited to the terms and conditions of the agreement. Intertek assumes no liability to any party, other than to the Client in accordance with the agreement, for any loss, expense or damage occasioned by the use of this Verification. Only the Client is authorized to permit copying or distribution of this Verification. Any use of the Intertek name or one of its marks for the sale or advertisement of the tested material, product or service must first be approved in writing by Intertek. The observations and test/inspection results referenced in this Verification are relevant only to the sample tested/inspected. This Verification by itself does not imply that the material, product, or service is or has ever been under an Intertek certification program.



## Spring-loading lever handle (Grade 4)



Major Parts	
Handle	304, Thickness:1.2mm
Trim plate	304, Thickness:0.8mm
Baseplate	Iron, Thickness: 1.5mm
Core	304
Spindle	8*8mm
Standard	
En1906, En179	
Certification (Grade 4)	
Type	4003-19SS
En1906	4 7 - B1 1 5 0 B
Fire test (En1634-1)	Steel fire door: 240mins

# PROFILE CYLINDER



## Standards and Certification

EN 1303:2015 - Profile Cylinders

**Durability:**  
Grade 4: 25 000 test cycles;  
Grade 5: 50 000 test cycles;  
Grade 6: 100 000 test cycles.

**Category of use:**  
Grade 1: for use by people with a high incentive to exercise care and with a small chance of misuse.

**Corrosion resistance and temperature:**  
Grade 0: no corrosion requirement;  
no temperature requirement;  
Grade A: high corrosion resistance;  
no temperature requirement;  
Grade B: no corrosion requirement;  
temperature requirement: from - 25 °C to + 65 °C;  
Grade C: high corrosion resistance;  
temperature requirement: from - 25 °C to + 65 °C.

**Attack resistance:**  
Grade 0: no resistance against drilling;  
no resistance against mechanical attack;  
Grade A: 3 / 5 min resistance against drilling; resistance against mechanical attack except plug/cylinder extraction;  
Grade B: 5 / 10 min resistance against drilling; resistance against mechanical attack except plug/cylinder extraction;  
Grade C: 3 / 5 min resistance against drilling; resistance against mechanical attack;  
Grade D: 5 / 10 min resistance against drilling; resistance against mechanical attack.

**Door mass:**  
Grade 0: no door mass requirement.

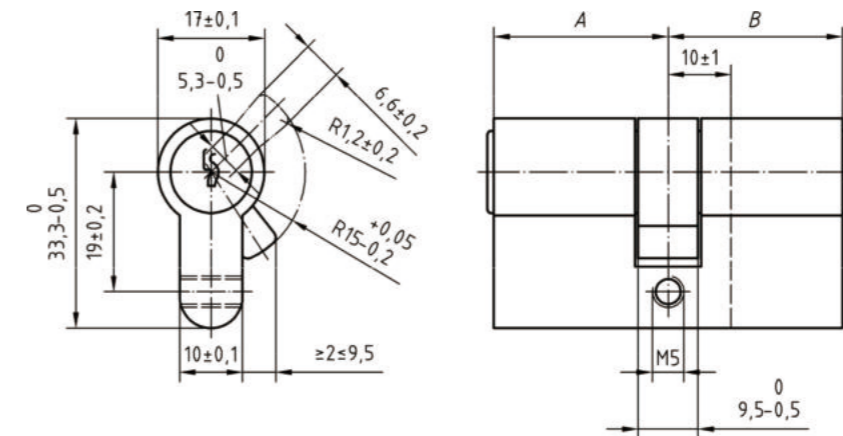
**Suitable for use on fire resistant / smoke control doors:**  
Grade 0: not approved for use on fire resistant / smoke control door assemblies;  
Grade A: suitable for use on smoke control door assemblies;  
Grade B: suitable for use on fire resistant and smoke control doors.

**Safety:**  
Grade 0: no safety requirement.

**Key related security:**

Requirement	Grade					
	1	2	3	4	5	6
Min. number of effective differs	100	300	15000	30000	30000	100000
Min. number of movable detainers	2	3	5	5	6	6
Direct coding on key	-	-	No	No	No	No
Torque resistance of plug/cylinder	2.5Nm	5Nm	15Nm	15Nm	15Nm	15Nm

**1 6 0 B 0 C 4 0**



**Euro Profile Cylinder Test Verification**



# Test Verification of Conformity

Verification Number: 220126036GZU-VOC001

On the basis of the tests undertaken, the sample(s) of the below product have been found to comply with the requirements of the referenced specification(s)/standard(s) at the time the tests were carried out. This verification is part of the full test report and should be read in conjunction with it.

Applicant Name & Address:	Shandong Hanrui Hardware Co., Ltd Bldg 10-116, No.10 Jingshan Road, Zhifu District, Yantai City, Shandong Province, China
Product Description:	Brass Profile Cylinder
Ratings & Principle Characteristics:	1 6 0 B 0 C 6 0 Fire resistant time: 65 minutes for timber door
Models/Type References:	Double profile cylinder 60-95mm; Knob profile cylinder 60-95mm; Half profile cylinder 40-55mm
Brand Names:	Dirock
Specification/Standards:	EN 1303:2015 Building hardware Cylinders for locks. Requirements and test methods
Verification Issuing Office Name & Address:	Intertek Testing Services Shenzhen Ltd. Guangzhou Branch Room 4103 & 4203, No. 63, Punan Road, Huangpu District, Guangzhou, China
Date of Tests:	Mechanical performance test date: 2022-01-28~2022-03-10 Fire resistant test date: 2022-06-22
Test Report Number(s):	220126036GZU-001 dated 2022-03-10, 220126036GZU-002 dated 2022-03-10 220126036GZU-003 dated 2022-03-10, 220126036GZU-004 dated 2022-03-10 220126036GZU-005 dated 2022-04-14, 220318003SHF-003-R1 dated 2022-08-15

*Nelson Zhu*

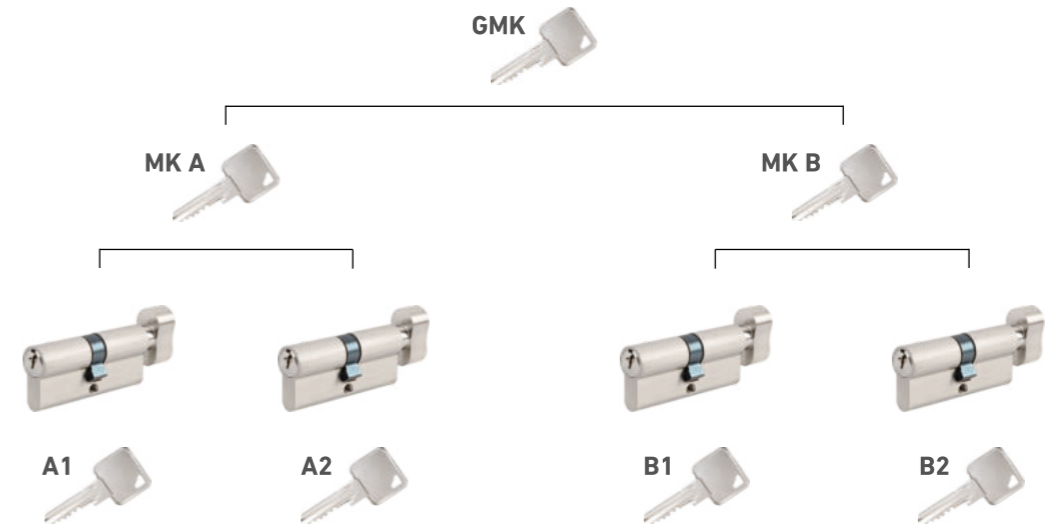
Signature

Name: Nelson Zhu  
Position: Technical Supervisor  
Date: 24 August 2022

This Verification is for the exclusive use of Intertek's client and is provided pursuant to the agreement between Intertek and its Client. Intertek's responsibility and liability are limited to the terms and conditions of the agreement. Intertek assumes no liability to any party, other than to the Client in accordance with the agreement, for any loss, expense or damage occasioned by the use of this Verification. Only the Client is authorized to permit copying or distribution of this Verification. Any use of the Intertek name or one of its marks for the sale or advertisement of the tested material, product or service must first be approved in writing by Intertek. The observations and test/inspection results referenced in this Verification are relevant only to the sample tested/inspected. This Verification by itself does not imply that the material, product, or service is or has ever been under an Intertek certification program.

**Master Keying Cylinder:**

Hierarchy Display: A master key open only own group of cylinders and A grand master key open all cylinders.



Master Keying Cylinder:		Key Technical Request						
No	Description	1	2	3	4	5	6	7
1	Grand Master Key	---	---	---	---	---	---	---
2	Master Key A	---	---	---	---	---	---	---
3	Key A1	---	---	---	---	---	---	---
4	Key A2	---	---	---	---	---	---	---
5	Master Key B	---	---	---	---	---	---	---
6	Key B1	---	---	---	---	---	---	---
7	Key B2	---	---	---	---	---	---	---

Profile cylinder		Keys											
No	Door No	Stamping	Description	Area	Cylinder type	Qty	GMK	MK A	A1	A2	MK B	B1	B2
1	D001	A1	-----	Area A	Double cylinder	X			X				
2	D002	A2	-----	Area A	Knob cylinder	X	X			X			
3	D003	B1	-----	Area B	Half cylinder	X					X	X	
4	D004	B2	-----	Area B	Half cylinder	X							X

**Double Profile Cylinder**



**thumbturn Profile Cylinder**



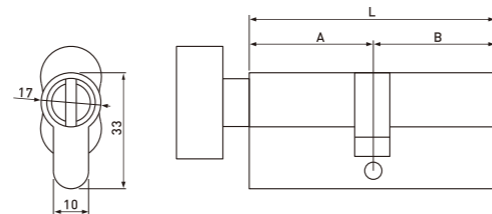
**Half Profile Cylinder**



**Toilet Profile Cylinder**



Size	
Section	Ø17*33*10mm
Length	L=A+B
Major Parts	
Cylinder housing	Brass
Cylinder plug	Brass
Cam	Sintered steel, R15*6.5
Movable detainer	Brass, 6pcs
Knob	Brass
Key	Brass / Cupronickel
Spring	304
Certification (IFT, INTERTEK)	
Type	Double profile cylinder 60-95mm Knob profile cylinder 60-95mm Half profile cylinder 40-55mm
En1303 (Intertek)	1 6 0 B 0 C 6 0
Fire test (En1634-1)	Timber fire door: 60min



# DOOR HINGE



**Standards and Certification**

EN 1935:2002: Single-axis hinges

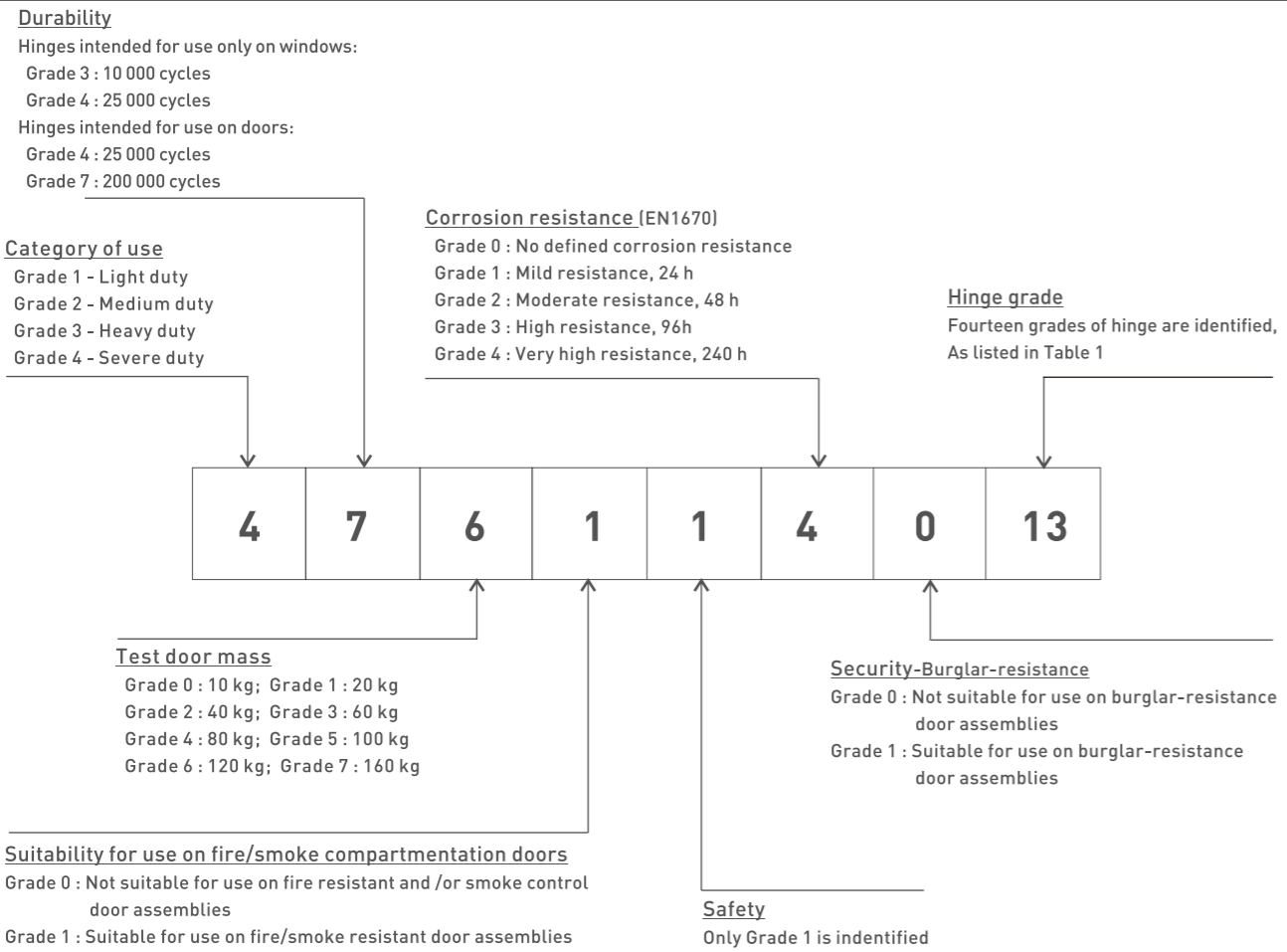


Table 1 -Classification summary

First digit			Second digit		Third digit		Fourth digit	Fifth digit	Sixth digit	Seventh digit	Eighth digit
Category of use			Durability test Cycles		Test door mass		Fire / smoke suitability	Safety	Corrosion resistance	Security	Hinge grade
Duty	Grade	For use on:	Grade	Number of Test cycles	Grade	Mass kg	Grades Available	Grades Available	Grades Available	Grades Available	Grade
Light	1	Window	3	10 000	0	10	0 or 1	1	0,1,2,3,4	0 or 1	1
Light	1	Window	3	10 000	1	20	0 or 1	1	0,1,2,3,4	0 or 1	2
Light	1	Window	4	25 000	1	20	0 or 1	1	0,1,2,3,4	0 or 1	3
Medium	2	Door	7	200 000	1	20	0 or 1	1	0,1,2,3,4	0 or 1	4
Light	1	Window	3	10 000	2	40	0 or 1	1	0,1,2,3,4	0 or 1	5
Light	1	Door or Window	4	25 000	2	40	0 or 1	1	0,1,2,3,4	0 or 1	6
Medium	2	Door	7	200 000	2	40	0 or 1	1	0,1,2,3,4	0 or 1	7
Light	1	Window	3	10 000	3	60	0 or 1	1	0,1,2,3,4	0 or 1	8
Light	1	Door or Window	4	25 000	3	60	0 or 1	1	0,1,2,3,4	0 or 1	9
Medium	2	Door	7	200 000	3	60	0 or 1	1	0,1,2,3,4	0 or 1	10
Heavy	3	Door	7	200 000	4	80	0 or 1	1	0,1,2,3,4	0 or 1	11
Severe	4	Door	7	200 000	5	100	0 or 1	1	0,1,2,3,4	0 or 1	12
Severe	4	Door	7	200 000	6	120	0 or 1	1	0,1,2,3,4	0 or 1	13
Severe	4	Door	7	200 000	7	160	0 or 1	1	0,1,2,3,4	0 or 1	14

**CE Certificate (Single-axis Hinges)**



**CERTIFICATE OF CONSTANCY OF PERFORMANCE**

0905-CPR-221146-02

In compliance with Regulation (EU) No 305/2011 of the European Parliament and of the Council of 9 March 2011 (the Construction Products Regulation or CPR), this certificate applies to the construction product(s)

**Product(s):** Building hardware - Single-axis hinges - Requirements and test methods (refer to attached appendix for details and conditions)  
**Placed on the market under the name or trade mark of:** Shandong Hanrui Hardware Co., Ltd. Bldg 10-116, No. 10 Jingshan Road, Zhifu District, Shandong Province, China SG-22296  
**and produced in the manufacturing plant(s):**  
**Intended use:** On fire/smoke compartmentation doors fitted with door closing devices (to enable such doors to close reliably and thus achieve self-closing in the event of fire)

This certificate attests that all provisions concerning the assessment and verification of constancy of performance described in Annex ZA of the standard(s):

**EN 1935:2002/AC:2003**


Under System 1 for the performances set out in this certificate are applied and that the performance of the construction product fulfils all the prescribed requirements for these performances

This certificate replaces 0905-CPR-221146-01 first issued on 2022-09-22 and will remain valid as long as the test methods and/or factory production control requirements included in the harmonised standard, used to assess the performances of the declared essential characteristics, do not change, and the construction product, and the manufacturing conditions in the plant are not modified significantly, unless suspended or withdrawn by the product certification body

The issued document and statement(s) herein makes reference only to a presumption of conformity in accordance with the CPR Regulations EU 305/2011 (as amended). However, it is the manufacturer's or their authorised representative's sole responsibility to affix the CE logo and, by doing so, confirms full compliance and conformity to all other European mandatory directives and regulations that may also apply.



0905

**Signature:**  **Date:** 2023-03-08  
**Name:** 115965 Dipl.-Ing. Roland Heine **Position:** Certification Manager  
**Issue:** 02

This Certificate is for the exclusive use of Intertek's client and is provided pursuant to the agreement between Intertek and its Client. Intertek's responsibility and liability are limited to the terms and conditions of the agreement. Intertek assumes no liability to any party, other than to the Client in accordance with the agreement, for any loss, expense or damage occasioned by the use of this Certificate. Only the Client is authorized to permit copying or distribution of this Certificate and then only in its entirety. Any use of the Intertek name or one of its marks for the sale or advertisement of the tested material, product or service must first be approved in writing by Intertek.

**Intertek Deutschland GmbH, Stangenstraße 1, 70771 Leinfelden-Echterdingen**  
**Tel.: +49 711 27311-0 E-Mail: nb0905@intertek.com Web: www.intertek.de/directory**

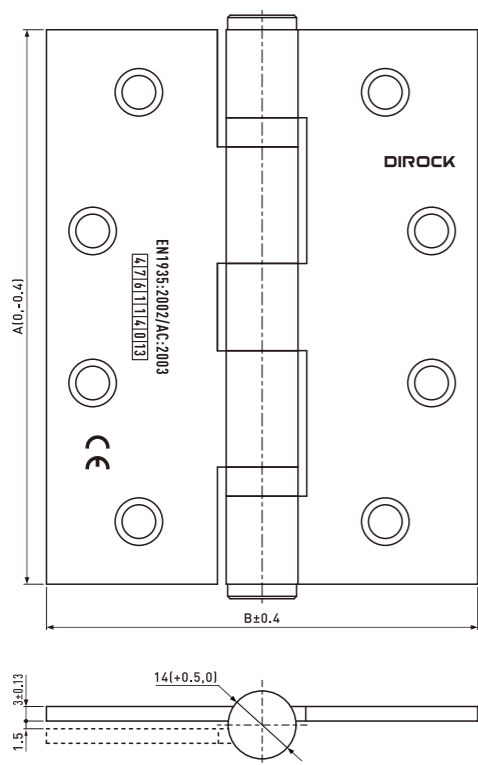
### Stainless Steel Hinge



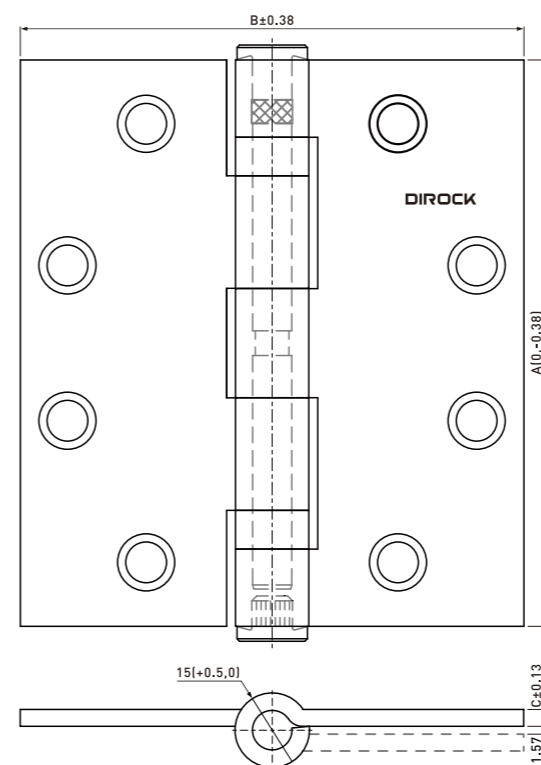
Major Parts	
Leaves	304
Removable Pin	201
Button Tip	304
Plain ball Bearing	304, 2pcs
Standard	
EN 1935, BS 7352	
Certification	
*CE (Warrington)	4 7 6 1 1 4 0 13
*CE (Intertek)	4 7 6 1 1 4 0 13
Fire test (En1634-1)	Steel fire door: *240mins Timber fire door: *30/*60/*90/*120mins



### ANSI Stainless Steel Hinge



Specification	A (0,-0.4)	B (±0.4)	Thickness
**4**3**3	101.6mm	76.2mm	3mm
**4**3.5**3	101.6mm	88.9mm	3mm
**4**4**3	101.6mm	101.6mm	3mm
#4.5**3**3	114.3mm	76.2mm	3mm
#4.5**3.5**3	114.3mm	88.9mm	3mm
#4.5**4**3	114.3mm	101.6mm	3mm
#4.5**4.5**3	114.3mm	114.3mm	3mm
#5**3**3	127mm	76.2mm	3mm
#5**3.5**3	127mm	88.9mm	3mm
#5**4**3	127mm	101.6mm	3mm
#5**4.5**3	127mm	114.3mm	3mm



Major Parts	
Leaves	304
Non-rising loose pin Nonremovable pin(NRP)	304
Button Tip	304
Anti-friction bearing	304, 2/4pcs
Standard	
ANSI/BHMA A156.1, ANSI/BHMA A156.7	

Specification	A (0,-0.38)	B (±0.38)	C (±0.13)	Bearing	Cycle test
4.5**4**3.4-2BB	114.3mm	101.6mm	3.4mm	2pcs	Grade 2
4.5**4**4.6-4BB	114.3mm	101.6mm	4.6mm	4pcs	Grade 1
4.5**4.5**4.6-4BB	114.3mm	114.3mm	4.6mm	4pcs	Grade 1
5**4**4.8-4BB	127mm	101.6mm	4.8mm	4pcs	Grade 1
5**4.5**4.8-4BB	127mm	114.3mm	4.8mm	4pcs	Grade 1

