

Features

- Optimized for high current rectifiers
- Very low threshold voltage and slop resistance
- Very low thermal resistance

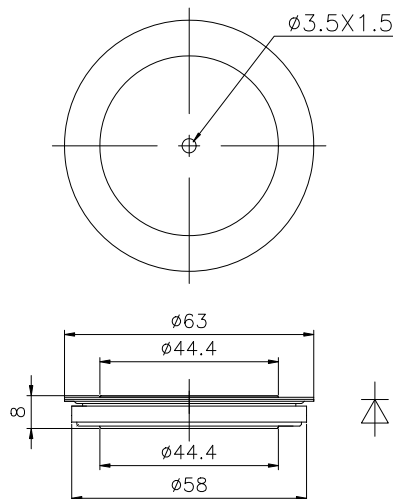
Typical Applications

- High current application For Welders up to 10000Hz
- Electrode plating

Part No. Y50ZEA-ZT44T		
I_{F(AV)}	5000A	
V_{RRM}	200V	400V

SYMBOL	CHARACTERISTIC	TEST CONDITIONS	T _J (°C)	VALUE			UNIT	
				Min	Type	Max		
I _{F(AV)}	Mean forward current	180° half sine wave 50Hz Double side cooled, T _C =85°C	175			5000	A	
V _{RRM}	Repetitive peak reverse voltage	tp=10ms	175	200		400	V	
I _{RRM}	Repetitive peak current	at V _{RRM}	175			50	mA	
I _{FSM}	Surge forward current	10ms half sine wave	175			45	kA	
I ² t	I ² t for fusing coordination	V _R =0V _{RRM}					10000	10 ³ A ² s
V _{FO}	Threshold voltage	I _F =5000-15000A	175			0.82	V	
r _F	Forward slope resistance						0.032	mΩ
V _{FM}	Min Peak on-state voltage	I _{FM} =5000A, F=30kN	25			1.10	V	
I _{rr}	Recovery current	I _{FM} =2000A, tp=4000μs, di/dt=-60A/μs, V _R =100V	175			40	A	
t _{rr}	Recovery time						3.0	μs
Q _{rr}	Recovery charge						100	μC
R _{th(j-c)}	Thermal resistance Junction to case	Double side cooled Clamping force 30.0kN				0.010	°C/W	
R _{th(c-h)}	Thermal resistance case to heat sink					0.005		
F _m	Mounting force			20		40	kN	
T _{vj}	Junction temperature			-40		175	°C	
T _{stg}	Stored temperature			-40		175	°C	
W _t	Weight				140		g	
Outline	ZT44T							

Outline:



TECHSEM reserves the right to change specifications without notice.