

Features

- n Low forward voltage drop
- n Soft recovery
- n Hermetic metal cases with ceramic insulators

Typical Applications

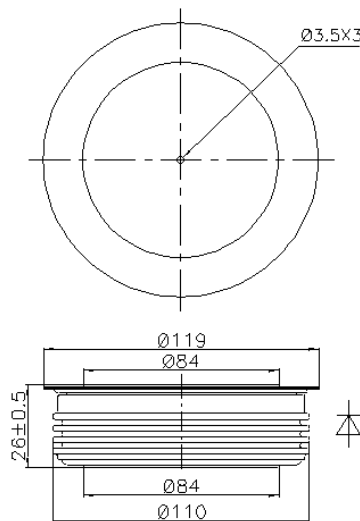
- n Inverters and choppers
- n Motor control
- n Snubber and free-wheeling diodes

Part No. Y89ZKD-ZT84cT

I_{F(AV)}	4000A
V_{RRM}	2200V 2500V 2800V 3000V

SYMBOL	CHARACTERISTIC	TEST CONDITIONS		T _i (°C)	VALUE			UNIT
					Min	Type	Max	
I _{F(AV)}	Mean forward current	180° half sine wave 50Hz	T _C =85°C	150			4000	A
V _{RRM}	Repetitive peak reverse voltage	tp=10ms		150	2100		3000	V
I _{RRM}	Repetitive peak current	at V _{RRM}		150			300	mA
I _{FSM}	Surge forward current	10ms half sine wave		150			44	kA
I ² t	I ² t for fusing coordination	V _R =0.6V _{RRM}						9680
V _{FO}	Threshold voltage			150			0.96	V
r _F	Forward slope resistance							0.12
V _{FM}	Peak forward voltage	I _{FM} =5000A, F=35kN		25			2.20	V
I _{rm}	Reverse recovery current	I _{FM} =2000A, tp=4000μs, di/dt=-60A/μs, V _R =100V		150		350		A
t _{rr}	Reverse recovery time					12		μs
Q _{rr}	Recovery charge					4300		μC
R _{th(j-c)}	Thermal resistance Junction to case	Double side cooled Clamping force 40kN					0.007	°C/W
R _{th(c-h)}	Thermal resistance case to heat sink						0.002	
F _m	Mounting force				63		84	kN
T _{vj}	Junction temperature				-40		150	°C
T _{stg}	Stored temperature				-40		160	°C
W _t	Weight					1390		g
Outline	ZT84cT							

Outline:



TECHSEM reserves the right to change specifications without notice.