



**Features**

- Low switching losses
- Double-side cooling
- Hermetically Cold-welded

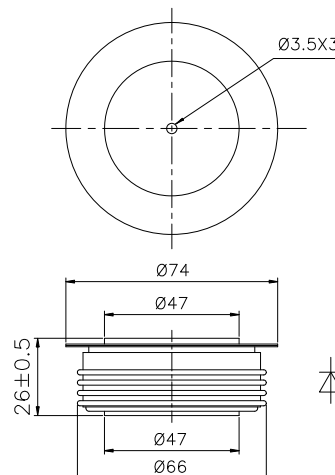
**Typical Applications**

- High power convertor
- Motor drive equipment
- Flexible AC transmission system

<b>Part No.H50ZYG-ZT50cT</b>		
<b>I<sub>F(AV)</sub></b>	<b>700A</b>	
<b>V<sub>RRM</sub></b>	<b>4000V</b>	<b>4200V</b>
	<b>4500V</b>	

SYMBOL	CHARACTERISTIC	TEST CONDITIONS	T <sub>J</sub> (°C)	VALUE			UNIT
				Min	Type	Max	
I <sub>F(AV)</sub>	Mean forward current	180° half sine wave 50Hz Double side cooled	T <sub>c</sub> =70°C	125		700	A
V <sub>RRM</sub>	Repetitive peak reverse voltage	tp=10ms	125	4000		4500	V
I <sub>RRM</sub>	Repetitive peak current	at V <sub>RRM</sub>	125			100	mA
I <sub>FSM</sub>	Surge forward current	10ms half sine wave	125			16	kA
I <sup>2</sup> t	I <sup>2</sup> t for fusing coordination	V <sub>R</sub> =0				1280	10 <sup>3</sup> A <sup>2</sup> s
V <sub>FO</sub>	Threshold voltage		125			1.70	V
r <sub>F</sub>	Forward slope resistance					0.98	mΩ
V <sub>FM</sub>	Peak forward voltage	I <sub>FM</sub> =2000A, F=24kHz	25			3.80	V
I <sub>rm</sub>	Reverse recovery current	I <sub>TM</sub> =1000A, tp=4000μs, di/dt=-60A/μs, V <sub>R</sub> =100V	125		610		A
t <sub>rr</sub>	Reverse recovery time				7.0		μs
Q <sub>rr</sub>	Recovery charge				1500		μC
R <sub>th(j-c)</sub>	Thermal resistance Junction to case	At 180° sine double side cooled Clamping force 24kN				0.020	°C /W
R <sub>th(c-h)</sub>	Thermal resistance case to heatsink					0.005	
F <sub>m</sub>	Mounting force			19		26	kN
T <sub>vj</sub>	Junction temperature			-40		125	°C
T <sub>stg</sub>	Stored temperature			-40		140	°C
W <sub>t</sub>	Weight				440		g
Outline	ZT50cT						

**Outline:**



TECHSEM reserves the right to change specifications without notice.