



Features

- Low forward voltage drop
- Soft recovery
- Hermetic metal cases with ceramic insulators

Typical Applications

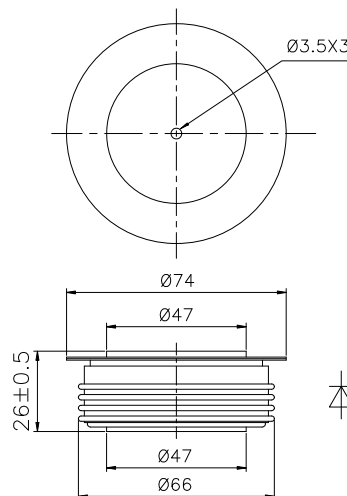
- Inverters and choppers
- Motor control
- Snubber and free-wheeling diodes

Part No. Y50ZKG-ZT50cT

I_{F(AV)}	1061A
V_{R(RM)}	4000V 4200V 4500V 5000V

SYMBOL	CHARACTERISTIC	TEST CONDITIONS		T _j (°C)	VALUE			UNIT	
					Min	Type	Max		
I _{F(AV)}	Mean forward current	180° half sine wave 50Hz Double side cooled,	T _C =85°C				1061	A	
V _{R(RM)}	Repetitive peak reverse voltage	tp=10ms		150	4000		5000	V	
I _{R(RM)}	Repetitive peak current	at V _{R(RM)}		150			100	mA	
I _{F(SM)}	Surge forward current	10ms half sine wave		150			15	kA	
I ² t	I ² t for fusing coordination	V _R =0.6V _{R(RM)}					1125	A ² s*10 ³	
V _{FO}	Threshold voltage			150			1.73	V	
r _F	Forward slope resistance						0.51	mΩ	
V _{FM}	Peak forward voltage	I _{TM} =1500A, F=24kHz		25			3.50	V	
I _{rm}	Reverse recovery current			150		330		A	
t _{rr}	Reverse recovery time	I _{TM} =1000A, tp=4000μs, di/dt=-60A/μs, V _R =100V				10			μs
Q _{rr}	Recovery charge					1500	1800		μC
R _{th(j-c)}	Thermal resistance Junction to case	At 180° sine double side cooled Clamping force 24kN					0.020	°C /W	
R _{th(c-h)}	Thermal resistance case to heat sink						0.005		
F _m	Mounting force				19		26	kN	
T _{vj}	Junction temperature				-40		150	°C	
T _{stg}	Stored temperature				-40		160	°C	
W _i	Weight					440		g	
Outline	ZT50cT								

Outline:



TECHSEM reserves the right to change specifications without notice.