



Features

- n Low forward voltage drop
- n Soft recovery
- n Hermetic metal cases with ceramic insulators

Typical Applications

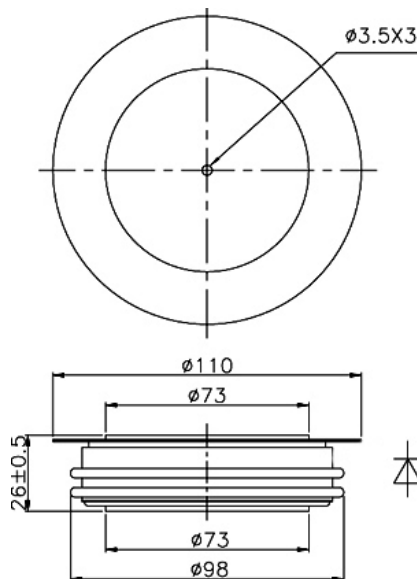
- n Inverters and choppers
- n Motor control
- n Snubber and free-wheeling diodes

Part No. Y76ZKG-ZT73cT

I_{F(AV)}	2175A	
V_{RRM}	4000V	4200V
	4500V	5000V

SYMBOL	CHARACTERISTIC	TEST CONDITIONS	T _j (°C)	VALUE			UNIT	
				Min	Type	Max		
I _{F(AV)}	Mean forward current	180° half sine wave 50Hz Double side cooled, T _C =85°C	150			2175	A	
V _{RRM}	Repetitive peak reverse voltage	tp=10ms	150	4000		5000	V	
I _{RRM}	Repetitive peak current	at V _{RRM}	150			240	mA	
I _{FSM}	Surge forward current	10ms half sine wave	150			30	kA	
I ² t	I ² t for fusing coordination	V _R =0.6V _{RRM}					4500	A ² s*10 ³
V _{FO}	Threshold voltage		150			1.65	V	
r _F	Forward slope resistance						0.25	mΩ
V _{FM}	Peak forward voltage	I _{TM} =3000A, F=40kN	25			3.00	V	
I _{rm}	Reverse recovery current	I _{TM} =2000A, tp=4000μs, di/dt=-60A/μs, V _R =100V	150			320	A	
t _{rr}	Reverse recovery time						12	μs
Q _{rr}	Recovery charge						1900	2200
R _{th(j-c)}	Thermal resistance Junction to case	At 180° sine double side cooled Clamping force 40kN				0.010	°C/W	
R _{th(c-h)}	Thermal resistance case to heat sink					0.003		
F _m	Mounting force			35		47	kN	
T _{vj}	Junction temperature			-40		150	°C	
T _{stg}	Stored temperature			-40		160	°C	
W _t	Weight					1100	g	
Outline	ZT73cT							

Outline:



TECHSEM reserves the right to change specifications without notice.