

Features

- Low forward voltage drop
- Soft recovery
- Hermetic metal cases with ceramic insulators

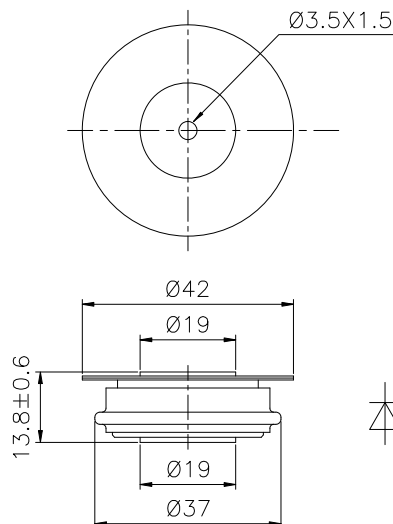
Typical Applications

- Inverters and choppers
- AC. motor control
- Snubber and free-wheeling diodes

Part No. Y24ZKG-ZT19aT			
I_{F(AV)}	197A		
V_{RRM}	4000V	4200V	4500V
	4500V	5000V	

SYMBOL	CHARACTERISTIC	TEST CONDITIONS		T _j (°C)	VALUE			UNIT
					Min	Type	Max	
I _{F(AV)}	Mean forward current	180° half sine wave 50Hz	Double side cooled,	T _C =85°C	150		197	A
V _{RRM}	Repetitive peak reverse voltage	tp=10ms		150	4000		5000	V
I _{RRM}	Repetitive peak current	at V _{RRM}		150			25	mA
I _{FSM}	Surge forward current	10ms half sine wave		150			2.7	kA
I ² t	I ² T for fusing coordination	V _R =0.6V _{RRM}					36.5	A ² s*10 ³
V _{FO}	Threshold voltage			150			1.95	V
r _F	Forward slop resistance						4.50	mΩ
V _{FM}	Peak forward voltage	I _{TM} =300A, F=5.0kN		25			3.80	V
I _{rm}	Reverse recovery current	I _{TM} =1000A, tp=4000μs, di/dt=-60A/μs, V _R =100V		150		40		A
t _{rr}	Reverse recovery time					10		μs
Q _{rr}	Recovery charge					80	100	μC
R _{th(j-c)}	Thermal resistance Junction to case	At 180° sine: double side cooled Clamping force 5.0kN					0.080	°C /W
R _{th(c-h)}	Thermal resistance case to heat sink					0.020		
F _m	Mounting force				3.3		5.5	kN
T _{vj}	Junction temperature				-40		150	°C
T _{stg}	Stored temperature				-40		160	°C
W _t	Weight					60		g
Outline	ZT19aT							

Outline:



TECHSEM reserves the right to change specifications without notice.