

Features

- n Low forward voltage drop
- n Soft recovery
- n Hermetic metal cases with ceramic insulators

Typical Applications

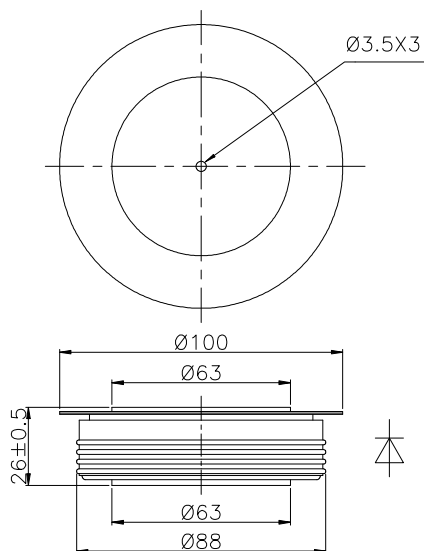
- n Inverters and choppers
- n Motor control
- n Snubber and free-wheeling diodes

Part No. Y70ZKD-ZT60cT

I_{F(AV)}	1876A
V_{RRM}	2200V 2500V
	2800V 3000V

Outline:

SYMBOL	CHARACTERISTIC	TEST CONDITIONS	T _j (°C)	VALUE			UNIT
				Min	Type	Max	
I _{F(AV)}	Mean forward current	180° half sine wave 50Hz Double side cooled, T _c =85°C	150			1876	A
V _{RRM}	Repetitive peak reverse voltage	tp=10ms	150	2100		3000	V
I _{RRM}	Repetitive peak current	at V _{RRM}	150			195	mA
I _{FSM}	Surge forward current	10ms half sine wave	150			25	kA
I ² t	I ² t for fusing coordination	V _R =0.6V _{RRM}					3125
V _{FO}	Threshold voltage		150			1.55	V
r _F	Forward slope resistance						0.29
V _{FM}	Peak forward voltage	I _{TM} =3000A, F=35kN	25			3.20	V
I _{rm}	Reverse recovery current	I _{TM} =2000A, tp=4000μs, di/dt=-60A/μs, V _R =100V	150		260		A
t _{rr}	Reverse recovery time				10		μs
Q _{rr}	Recovery charge				1300	1500	μC
R _{th(j-c)}	Thermal resistance Junction to case	At 180° sine, double side cooled Clamping force 35kN				0.012	°C /W
R _{th(c-h)}	Thermal resistance case to heat sink					0.003	
F _m	Mounting force			30		40	kN
T _{vj}	Junction temperature			-40		150	°C
T _{stg}	Stored temperature			-40		160	°C
W _t	Weight				880		g
Outline	ZT60cT						



TECHSEM reserves the right to change specifications without notice.