



Features

- Low forward voltage drop
- Soft recovery
- Hermetic metal cases with ceramic insulators

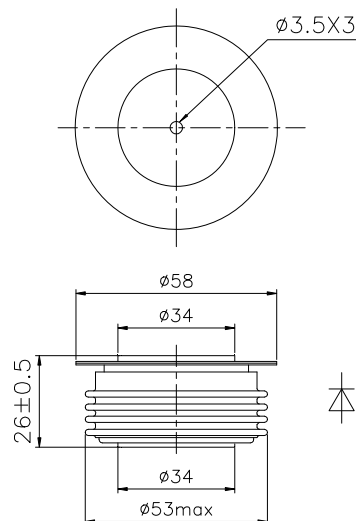
Typical Applications

- Inverters and choppers
- Motor control
- Snubber and free-wheeling diodes

Part No. Y38ZKG-ZT33cT		
I_{F(AV)}	538A	
V_{RRM}	4000V	4200V
	4500V	5000V

SYMBOL	CHARACTERISTIC	TEST CONDITIONS		T _j (°C)	VALUE			UNIT	
					Min	Type	Max		
I _{F(AV)}	Mean forward current	180° half sine wave 50Hz Double side cooled,	T _C =85°C				538	A	
V _{RRM}	Repetitive peak reverse voltage	tp=10ms		150	4000		5000	V	
I _{RRM}	Repetitive peak current	at V _{RRM}		150			50	mA	
I _{FSM}	Surge forward current	10ms half sine wave		150			7.5	kA	
I ² t	I ² t for fusing coordination	V _R =0.6V _{RRM}						281	A ² s*10 ³
V _{FO}	Threshold voltage			150			1.89	V	
r _F	Forward slope resistance							1.18	mΩ
V _{FM}	Peak forward voltage	I _{TM} =1000A, F=15kN		25			3.80	V	
I _{rm}	Reverse recovery current			150			240	A	
t _{rr}	Reverse recovery time	I _{TM} =1000A, tp=4000μs, di/dt=-60A/μs, V _R =100V						10	μs
Q _{rr}	Recovery charge							720	μC
R _{th(j-c)}	Thermal resistance Junction to case	At 180° sine double side cooled Clamping force 15kN					0.035	°C /W	
R _{th(c-h)}	Thermal resistance case to heat sink						0.008		
F _m	Mounting force				10		20	kN	
T _{vj}	Junction temperature				-40		150	°C	
T _{stg}	Stored temperature				-40		160	°C	
W _t	Weight						250	g	
Outline	ZT33cT								

Outline:



TECHSEM reserves the right to change specifications without notice.