



Features

- n Low switching losses
- n Double-side cooling
- n Hermetically Cold-welded

Typical Applications

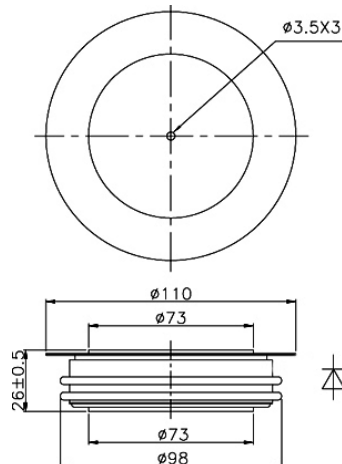
- n High power convertor
- n Motor drive equipment
- n Flexible AC transmission system

Part No.H76ZYR-ZT73cT

I_{F(AV)}	800A
V_{RRM}	6000V 6500V

SYMBOL	CHARACTERISTIC	TEST CONDITIONS	T _j (°C)	VALUE			UNIT
				Min	Type	Max	
I _{F(AV)}	Mean forward current	180° half sine wave 50Hz Double side cooled	T _c =70°C	125		800	A
V _{RRM}	Repetitive peak reverse voltage	tp=10ms	125	6000		6500	V
I _{RRM}	Repetitive peak current	at V _{RRM}	125			300	mA
I _{FSM}	Surge forward current	10ms half sine wave V _R =0	125			18	kA
I ² t	I ² t for fusing coordination					1620	10 ³ A ² s
V _{FO}	Threshold voltage		125			1.90	V
r _F	Forward slope resistance					1.10	mΩ
V _{FM}	Peak forward voltage	I _{FM} =1800A, F=24kHz	25			4.80	V
I _m	Reverse recovery current	I _{TM} =2000A, tp=4000μs, di/dt=-60A/μs, V _R =100V	125		900		A
t _{rr}	Reverse recovery time				20		μs
Q _{rr}	Recovery charge				5000		μC
R _{th(j-c)}	Thermal resistance Junction to case	At 180° sine, double side cooled Clamping force 24kN				0.010	°C /W
R _{th(c-h)}	Thermal resistance case to heatsink					0.003	
F _m	Mounting force			35		47	kN
T _{vj}	Junction temperature			-40		125	°C
T _{stg}	Stored temperature			-40		140	°C
W _t	Weight				1100		g
Outline	ZT73cT						

Outline:



TECHSEM reserves the right to change specifications without notice.