

Features

- Low forward voltage drop
- Soft recovery
- Hermetic metal cases with ceramic insulators

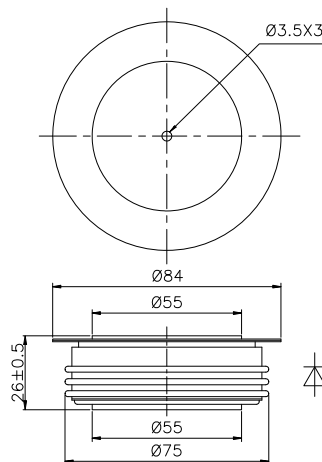
Typical Applications

- Inverters and choppers
- Motor control
- Snubber and free-wheeling diodes

Part No. Y60ZKD-ZT54cT			
I_{F(AV)}	1508A		
V_{RRM}	2200V	2500V	2800V
	2800V	3000V	

SYMBOL	CHARACTERISTIC	TEST CONDITIONS	T _j (°C)	VALUE			UNIT	
				Min	Type	Max		
I _{F(AV)}	Mean forward current	180° half sine wave 50Hz Double side cooled, T _C =85°C	150			1508	A	
V _{RRM}	Repetitive peak reverse voltage	tp=10ms	150	2100		3000	V	
I _{RRM}	Repetitive peak current	at V _{RRM}	150			145	mA	
I _{FSM}	Surge forward current	10ms half sine wave	150			20	kA	
I ² t	I ² t for fusing coordination	V _R =0.6V _{RRM}					2000	A ² s*10 ³
V _{FO}	Threshold voltage		150			1.58	V	
r _F	Forward slope resistance						0.30	mΩ
V _{FM}	Peak forward voltage	I _{TM} =2000A, F=28kN	25			2.80	V	
I _{rm}	Reverse recovery current		150		200		A	
t _{rr}	Reverse recovery time	I _{TM} =1000A, tp=4000μs, di/dt=-60A/μs, V _R =100V				8		μs
Q _{rr}	Recovery charge					800	1010	μC
R _{th(j-c)}	Thermal resistance Junction to case	At 180° sine, double side cooled Clamping force 28kN				0.016	°C /W	
R _{th(c-h)}	Thermal resistance case to heat sink					0.004		
F _m	Mounting force			21		30	kN	
T _{vj}	Junction temperature			-40		150	°C	
T _{stg}	Stored temperature			-40		160	°C	
W _t	Weight				640		g	
Outline	ZT54cT							

Outline:



TECHSEM reserves the right to change specifications without notice.