**Features**

- n Interdigitated amplifying gates
- n Fast turn-on and high di/dt
- n Low switching losses

Typical Applications

- n Inductive heating
- n Electronic welders
- n Self-commutated inverters

Part No. Y60KFE-KT54cT

$I_{T(AV)}$	1600A
V_{DRM}	1200V~2000V
V_{RRM}	1000V~1800V
t_q	20~50μs

SYMBOL	CHARACTERISTIC	TEST CONDITIONS		$T_j(^{\circ}C)$	VALUE			UNIT
					Min	Type	Max	
$I_{T(AV)}$	Mean on-state current	180° half sine wave 50Hz Double side cooled	$T_C=55^{\circ}C$	125			1600	A
V_{DRM}	Repetitive peak off-state voltage	$t_p=10ms$		125	1200		2000	V
V_{RRM}	Repetitive peak reverse voltage				1000		1800	V
I_{DRM} I_{RRM}	Repetitive peak current	at V_{DRM} at V_{RRM}		125			120	mA
I_{TSM}	Surge on-state current	10ms half sine wave		125			18	kA
I^2t	I^2t for fusing coordination	$V_R=0.6V_{RRM}$		125			1620	10^3A^2s
V_{TO}	Threshold voltage			125			1.27	V
r_T	On-state slope resistance			125			0.22	mΩ
V_{TM}	Peak on-state voltage	$I_{TM}=3000A, F=28kN$	$20 \leq t_q \leq 28$	25			2.20	V
			$29 \leq t_q \leq 50$				2.00	V
dv/dt	Critical rate of rise of off-state voltage	$V_{DM}=0.67V_{DRM}$		125			1000	V/μs
di/dt	Critical rate of rise of on-state current (Non-repetitive)	$V_{DM}=67\%V_{DRM}$, Gate pulse $t_r \leq 0.5\mu s$ $I_{GM}=1.5A$		125			1500	A/μs
Q_{rr}	Recovery charge	$I_{TM}=1000A, t_p=4000\mu s, di/dt=-20A/\mu s,$ $V_R=100V$		125		750		μC
t_q	Circuit commutated turn-off time	$I_{TM}=1000A, t_p=4000\mu s, V_R=100V$ $dv/dt=30V/\mu s, di/dt=-20A/\mu s$		125	15		50	μs
I_{GT}	Gate trigger current	$V_A=12V, I_A=1A$		25	40		250	mA
V_{GT}	Gate trigger voltage				0.9		2.5	V
I_H	Holding current				20		500	mA
I_L	Latching current						1000	mA
V_{GD}	Non-trigger gate voltage	$V_{DM}=67\%V_{DRM}$		125			0.3	V
$R_{th(j-c)}$	Thermal resistance Junction to case	At 180° sine double side cooled Clamping force 32kN					0.016	$^{\circ}C/W$
$R_{th(c-h)}$	Thermal resistance case to heatsink						0.004	
F_m	Mounting force				27		34	kN
T_{vj}	Junction temperature				-40		125	$^{\circ}C$
T_{stg}	Stored temperature				-40		140	$^{\circ}C$
W_t	Weight					640		g
Outline	KT54cT							

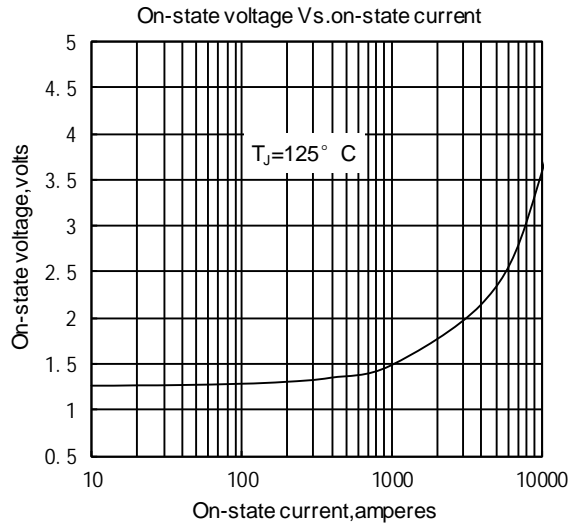


Fig.1

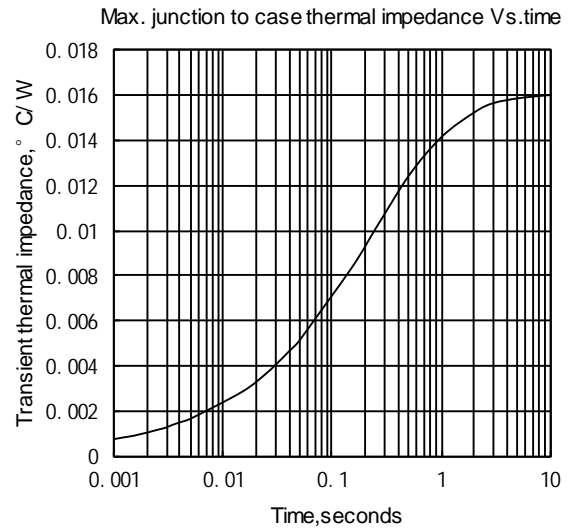


Fig.2

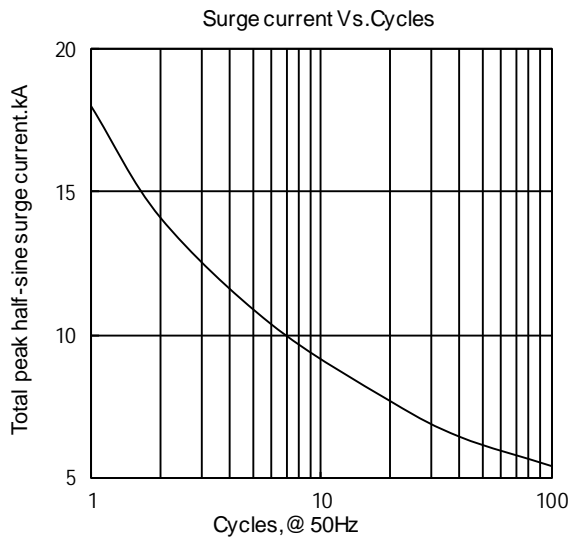


Fig.3

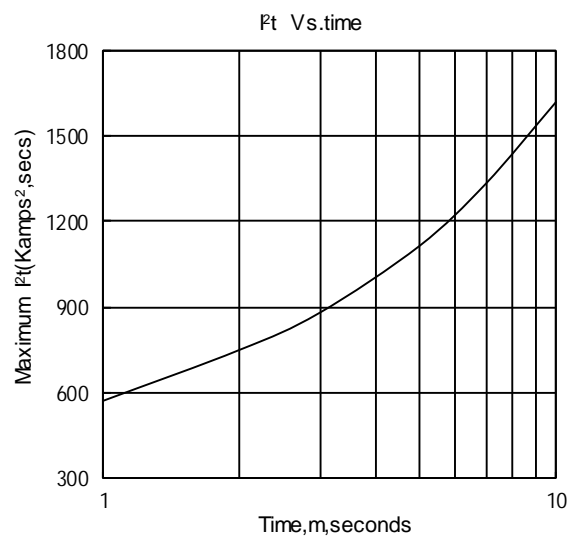


Fig.4

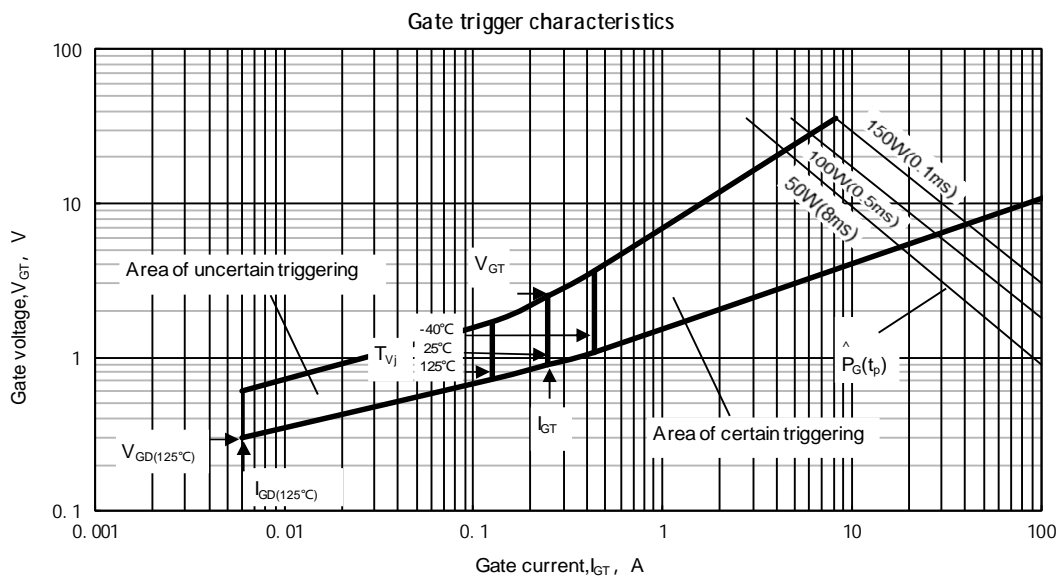
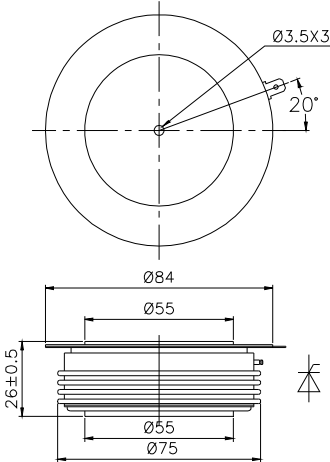


Fig.5

Outline:



TECHSEM reserves the right to change specifications without notice.