



FLYON

Spectator Seating

飞扬体育

Company Profile

With more than 10 years' experience in spectator seating industry, Shenzhen Flyon Sports Co., Ltd offers one-stop solutions including retractable bleachers, metal structure bleachers and stadium seats. We are located in Shenzhen with convenient transportation access.

Dedicated to strict quality control and thoughtful customer service, our experienced staff members are always available to discuss your requirements and customer satisfaction. Our company has introduced a series of advanced equipments including CNC shearing machine, bending machine ,punching roll line, CNC punch machine, power coating line and so on. In addition, we have obtained ISO9001, ISO14001, OHSAS18001, CE, TUV, SGS and China Sports test certificates.

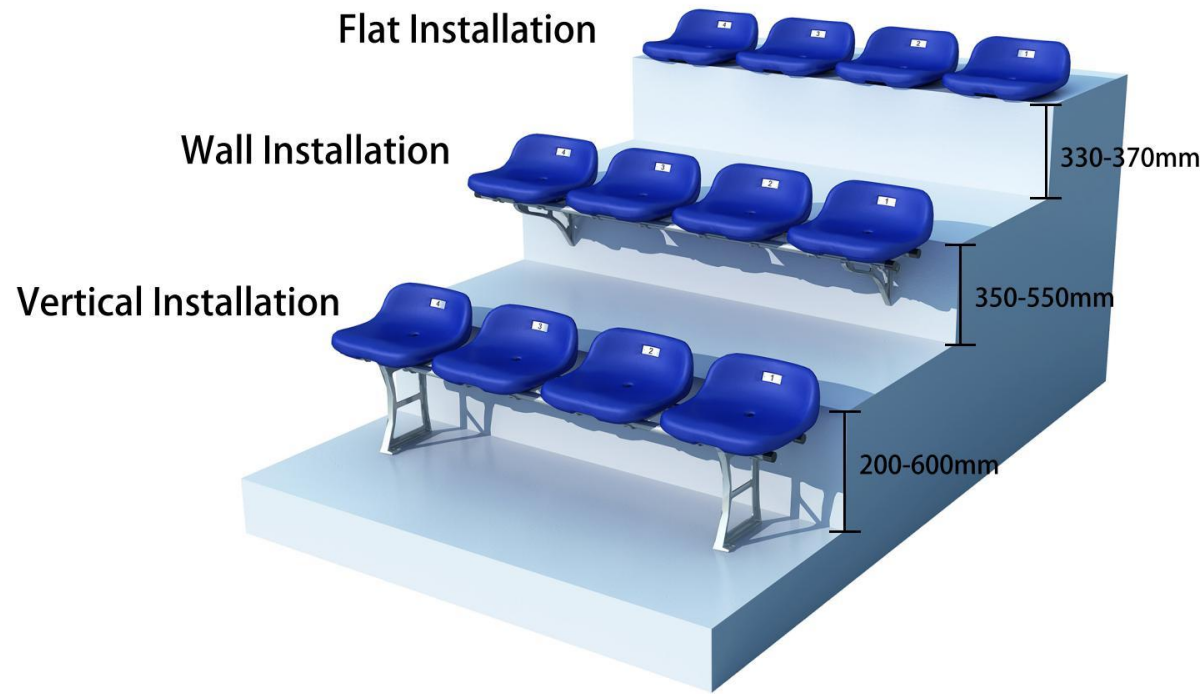
Our products are selling well all over the world including America, Asian, Europe, Africa and Oceania. Adhering to the business principle of mutual benefits, we have had a good reputation among our customers because of our perfect services, quality products and competitive prices We also welcome OEM and ODM orders. Whether selecting a current product from our catalog or seeking engineering assistance for your application, you can talk to our customer service center about your sourcing requirements.



Exhibition



Fixed Chair



Eco-L

Size: W415mm*D410mm*H162mm

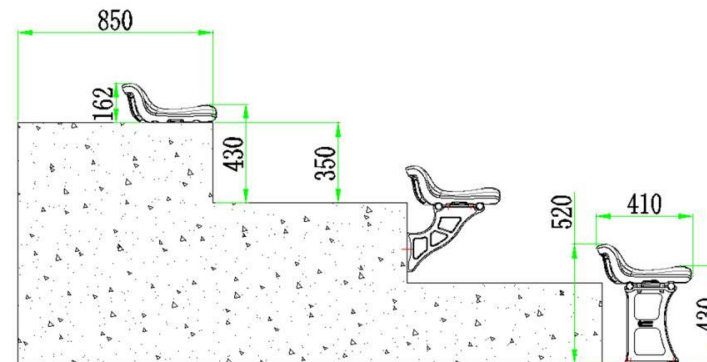
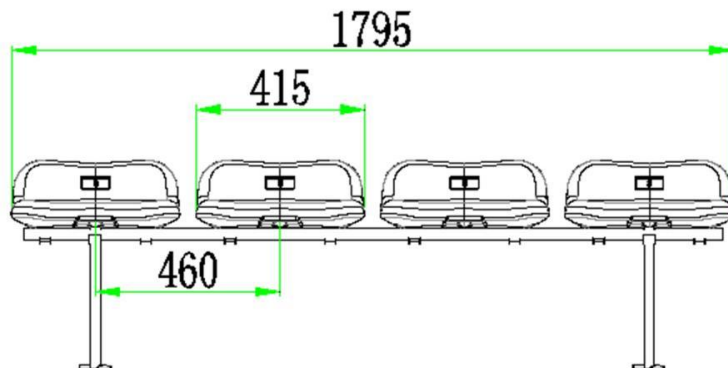
Material: HDPE

Production Tech : Blow molding

Application: Stadium Seating, Tele-
scopic Bleachers, Metal Structure

Bleacher

Features: Anti-aging, Anti-UV, Fire-
proof



Eco-M

Size: W417mm*D477mm*H312mm

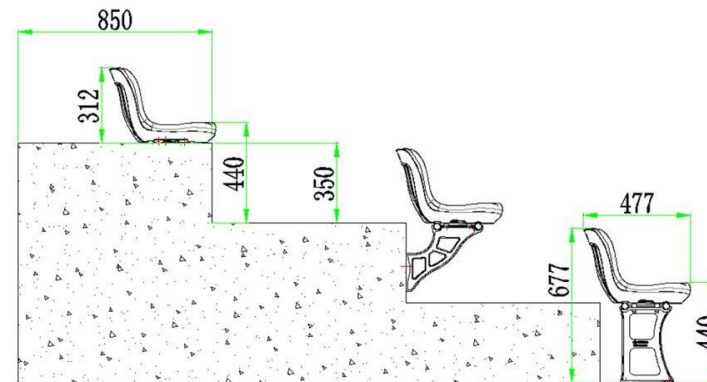
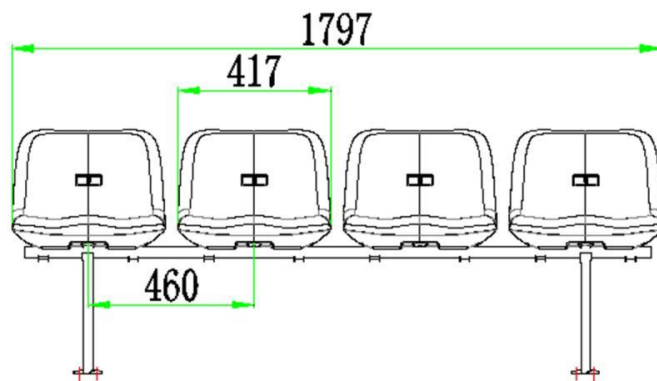
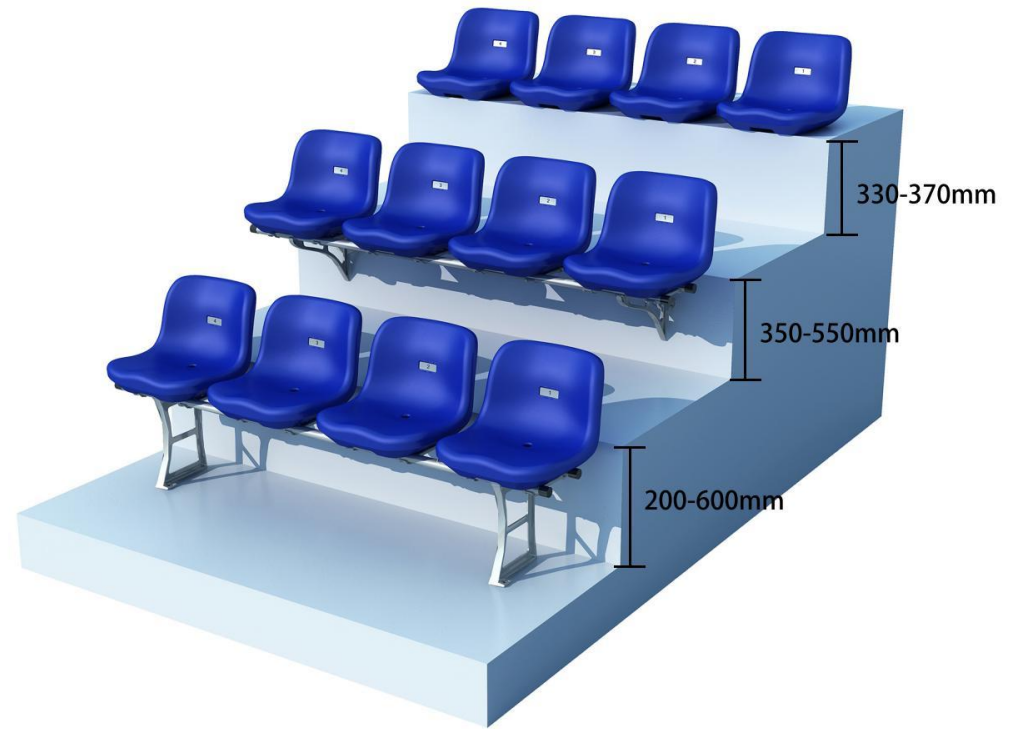
Material: HDPE

Production Tech: Blow molding

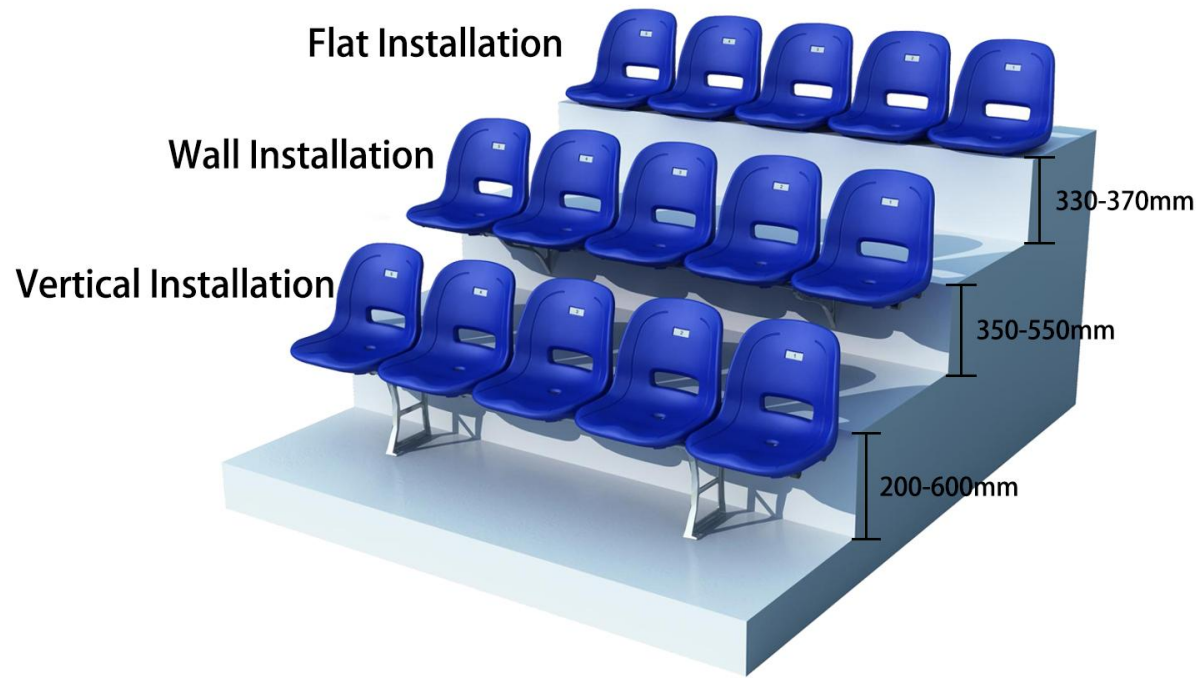
Application: Stadium Seating, Metal

Structure Bleacher

Features: Anti-aging, Anti-UV, Fire-proof



Fixed Chair



ECO-H

Size: W480mm * D540mm * H415mm

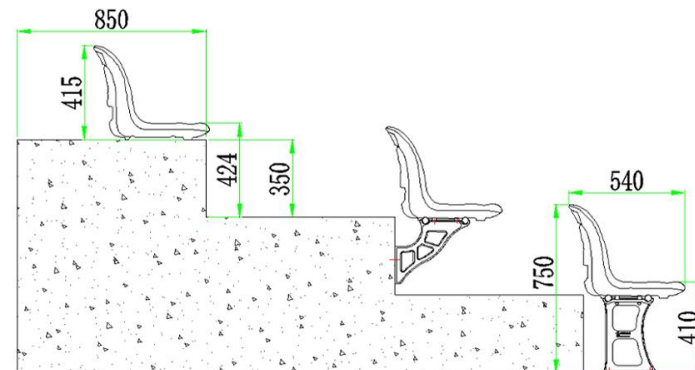
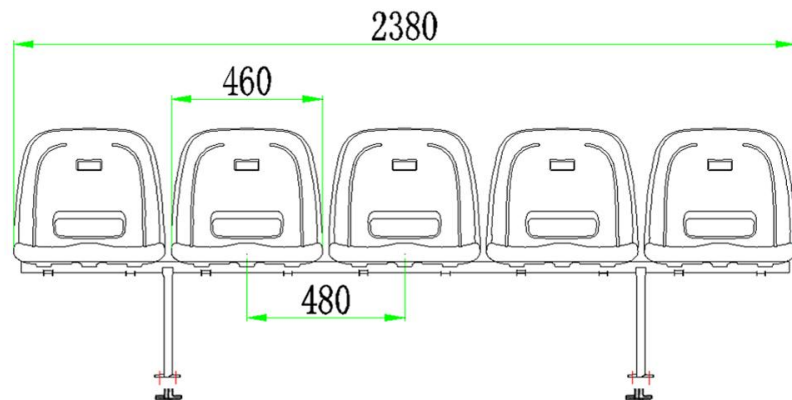
Material: HDPE

Production Tech: Blow molding

Application: Stadium Seating, Metal

Structural Bleacher

Features: Anti-aging, Anti-UV, Fire-proof



Chang-H

Size: W430mm * D495mm * H400mm

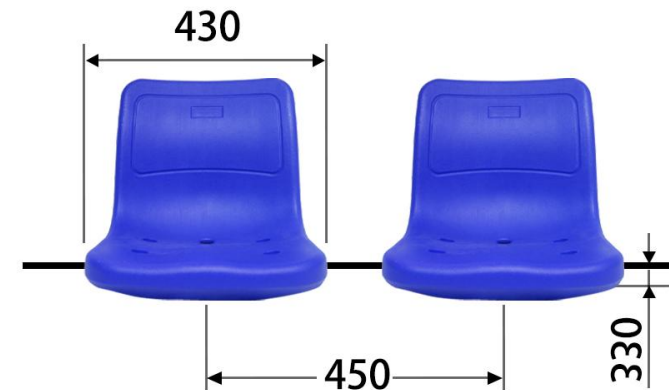
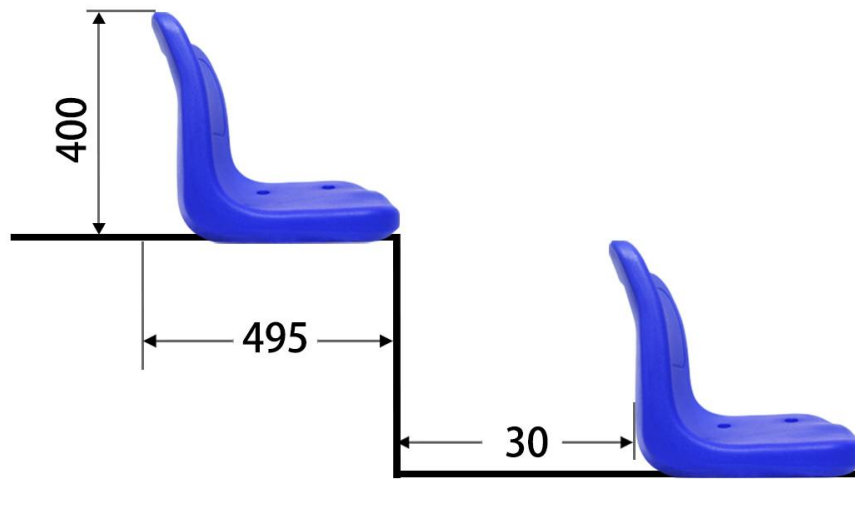
Material: HDPE

Production Tech: Blow molding

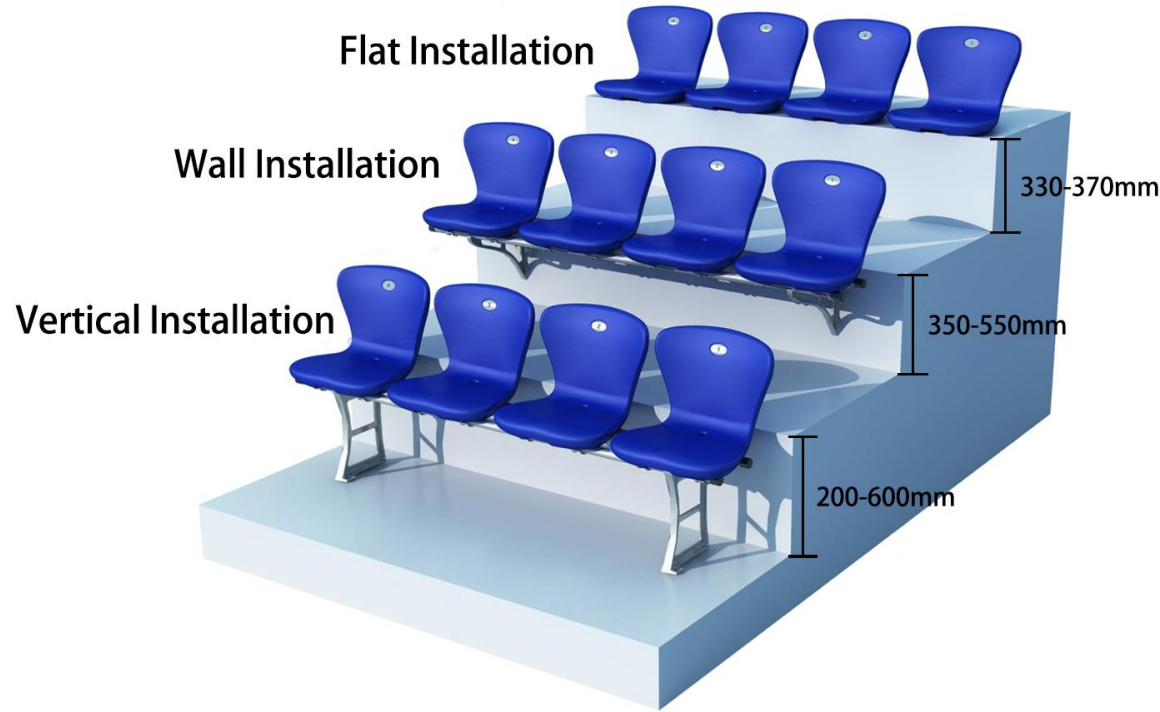
Application: Stadium Seating, Metal
Structural Bleacher

Features: Anti-aging, Anti-UV, Fire-
proof

Weight: 2.45 kg



Fixed Chair



Shell-E

Size: W430mm * D417mm * H347mm

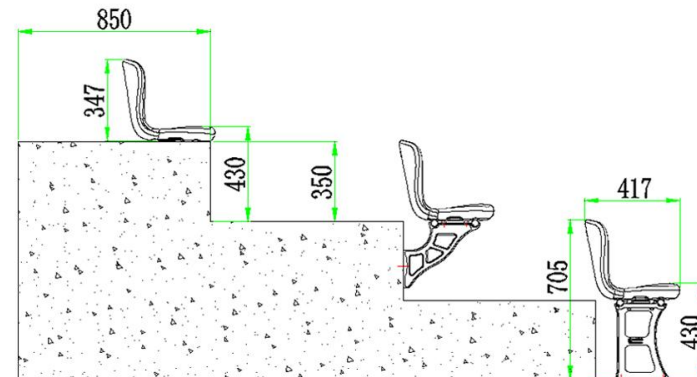
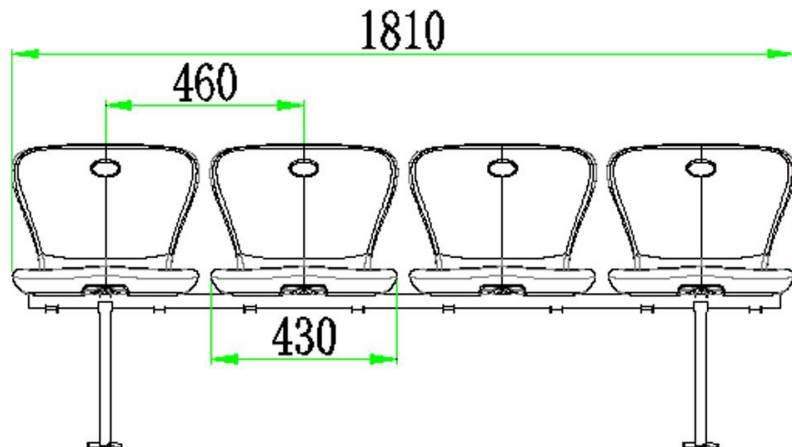
Material: HDPE

Production Tech: Blow molding

Application: Stadium Seating, Metal

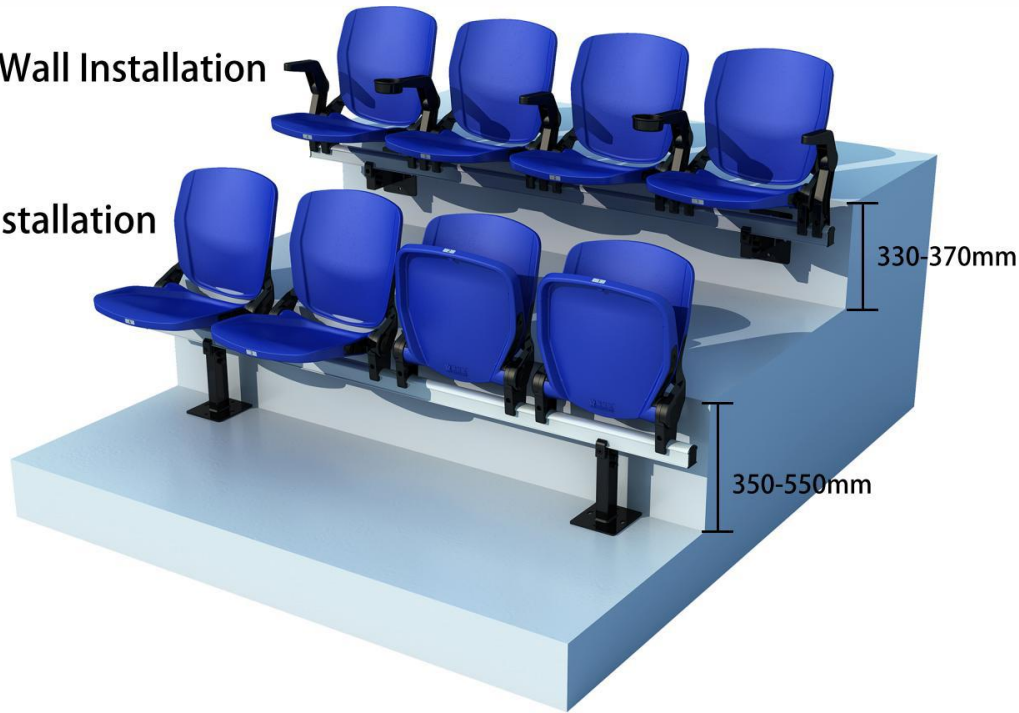
Structural Bleacher

Features: Anti-aging, Anti-UV, Fire-proof



Wall Installation

Vertical Installation



Shell

Size:W435mm * D552mm * H782mm

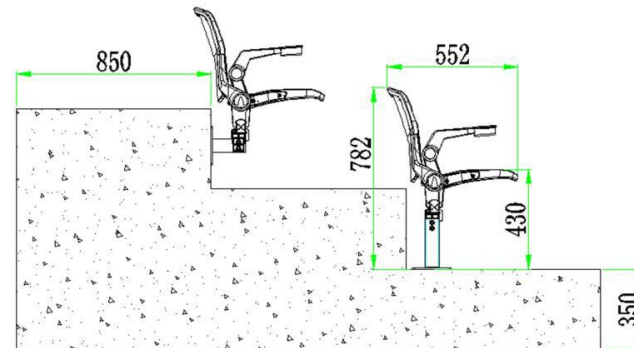
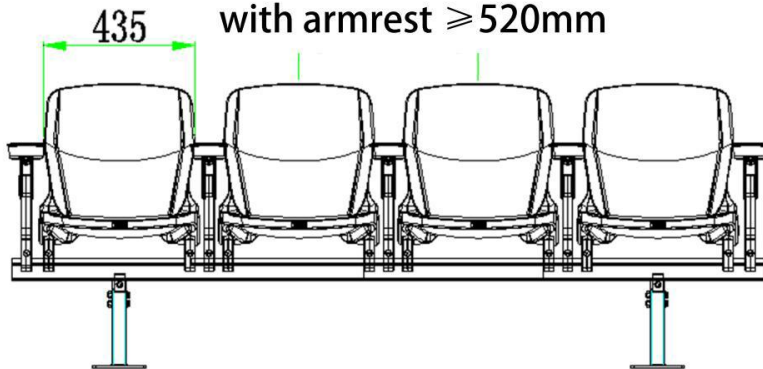
Material: PP

Production Tech: Air Injection

Application: Stadium Seating, Tele-
scopic Bleachers, Metal Structural
Bleachers

Features: Anti-aging, Anti-UV, Fire-
proof

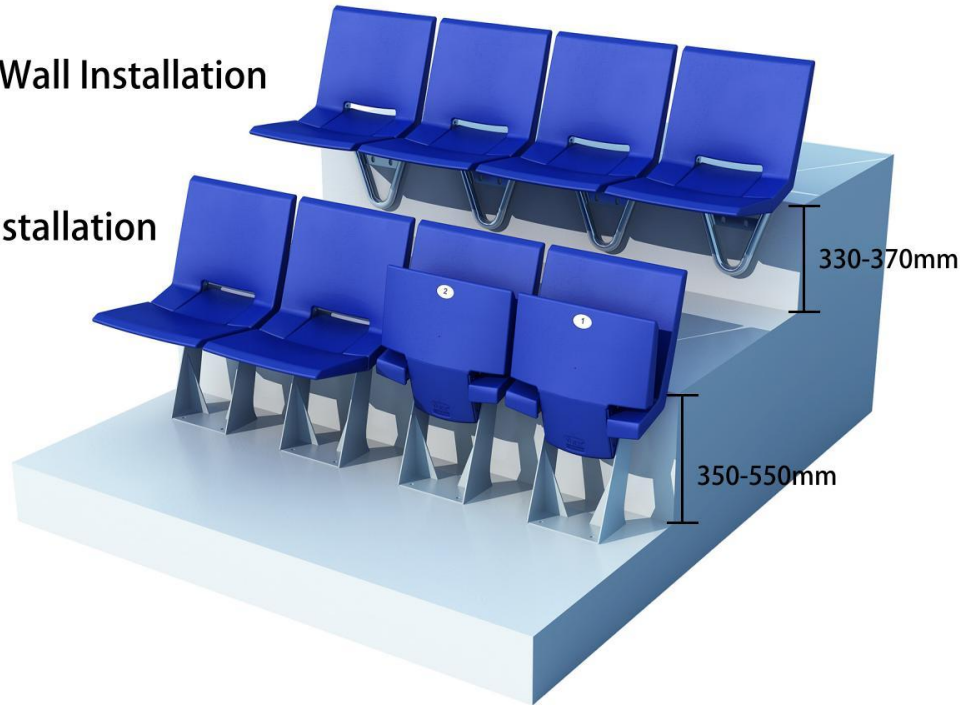
center to center 480mm
with armrest \geq 520mm



Fixed Chair

Wall Installation

Vertical Installation



X

Size:W433mm * D532mm * H737mm

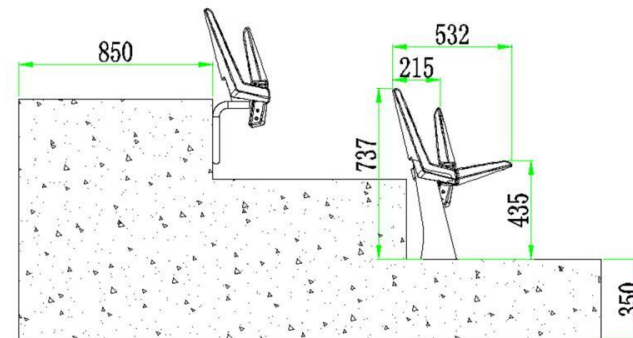
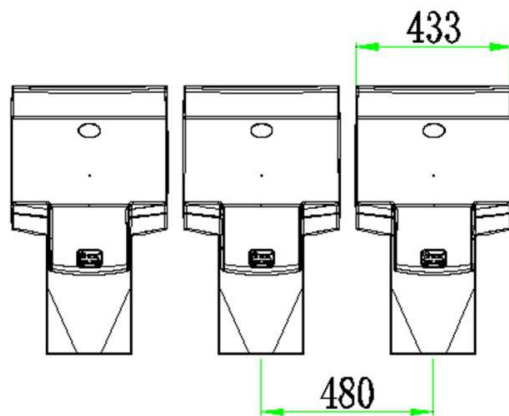
Material : HDPE

Production Tech: Blow molding

Application: Stadium Seating, Metal

Structural Bleacher

Features: Anti-aging, Anti-UV, Fire-proof



Ace

Size:W430mm * D600mm * H835mm

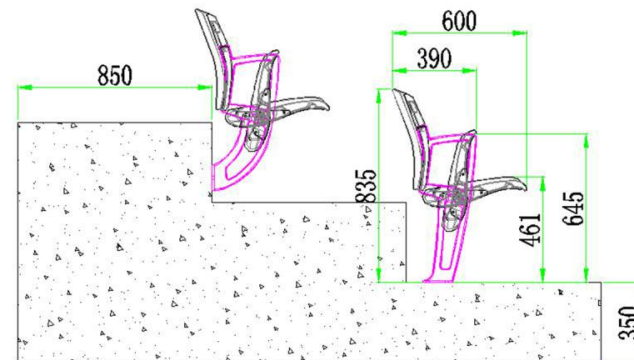
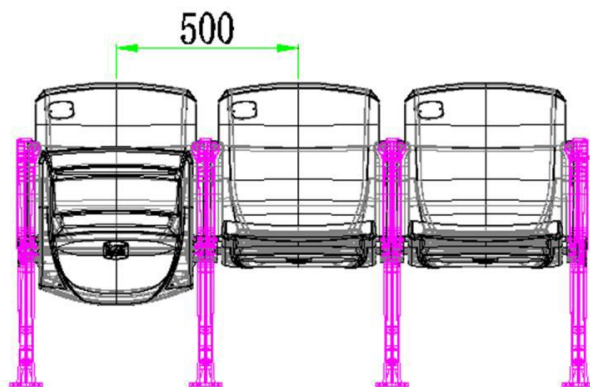
Material: HDPE

Production Tech: Blow molding

Application: Stadium Seating, Metal

Structural Bleacher

Features: Anti-aging, Anti-UV, Fire-proof





IKA

Size: W435mm * D480mm * H330mm

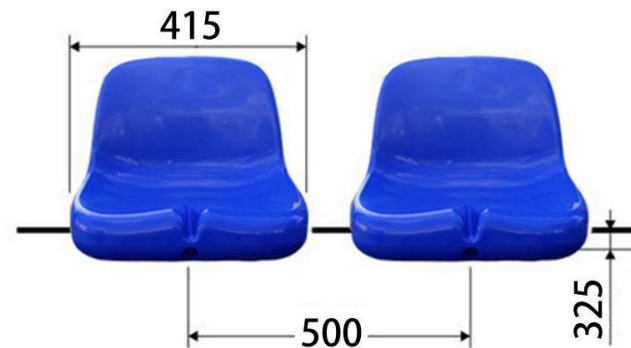
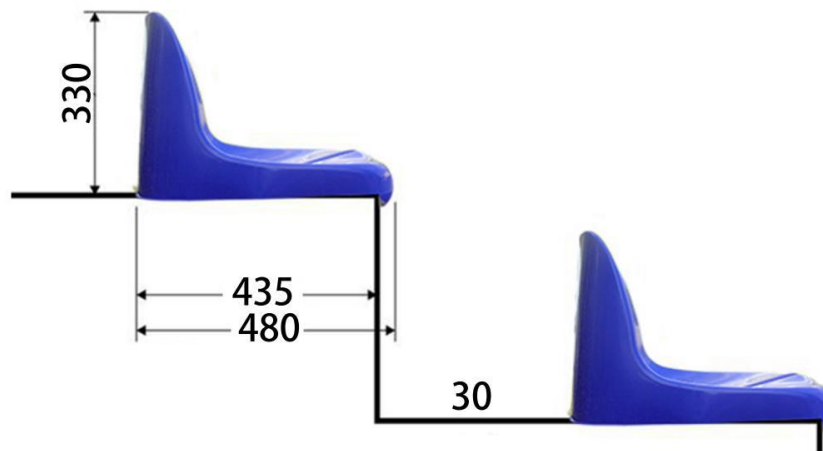
Material : PP

Production Tech: Injection

Application: Stadium Seating, Metal
Structural Bleacher

Installation Method: flat Installation-
Vertical Installation / Wall Installation

Features: Anti-aging, Anti-UV, Fire-
proof



MAX

Size: W432mm * D550mm * H760mm

Material: HDPE

Production Tech: Blow molding

Application: Stadium Seating, Telescopic Bleachers, Metal Structural Bleacher

Bleacher

Installation Method: Vertical Installation / Wall Installation

Features: Anti-aging, Anti-UV, Fire-proof



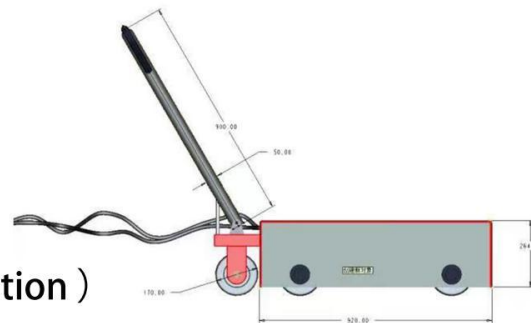
Retractable Bleachers System (Telescopic Bleachers)

Flyon retractable bleacher system can be opened and closed freely. It is an extremely safe, steady, adaptable and efficiently seating system, which allowing you to make great use of your facilities. The system can meet different requirements for different usages like Gym, School, Event Centers, Auditoriums, Multi-purpose venues etc.



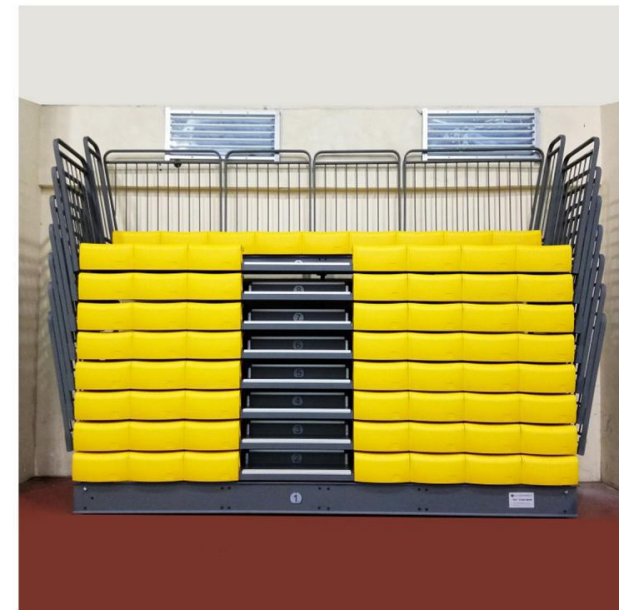
Manual & Remote Control

Retractable platforms can be opened and closed with manual operation or remote control.



Manual operation ≤ 8 rows (Trolley option)

Remote control: the rate of the open and close is 0.126m/s.



3 types mount solution

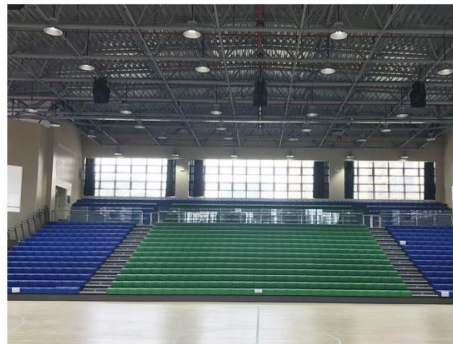
According to the different types and requirements of the venue, types of stands can be selected to maximize the use of the space and meet the multi-functional use requirements of the venue.

Wall Attached



The stands are fixed against the wall. After these stands are completely folded, the whole group of stands is placed on the wall to free up space.

Recessed



The stand is designed by under the balcony. its optional, connected ground floor to the first floor .

Portable Units

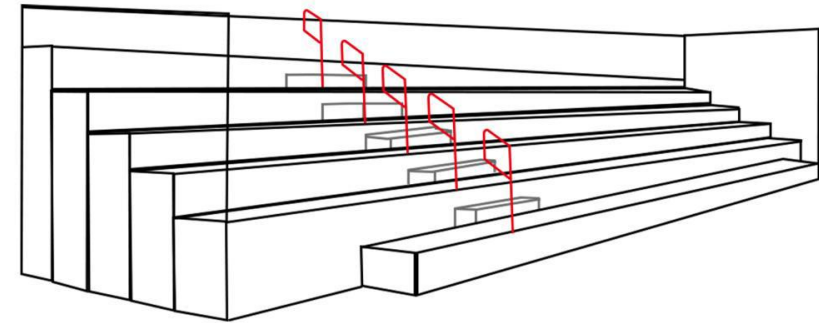
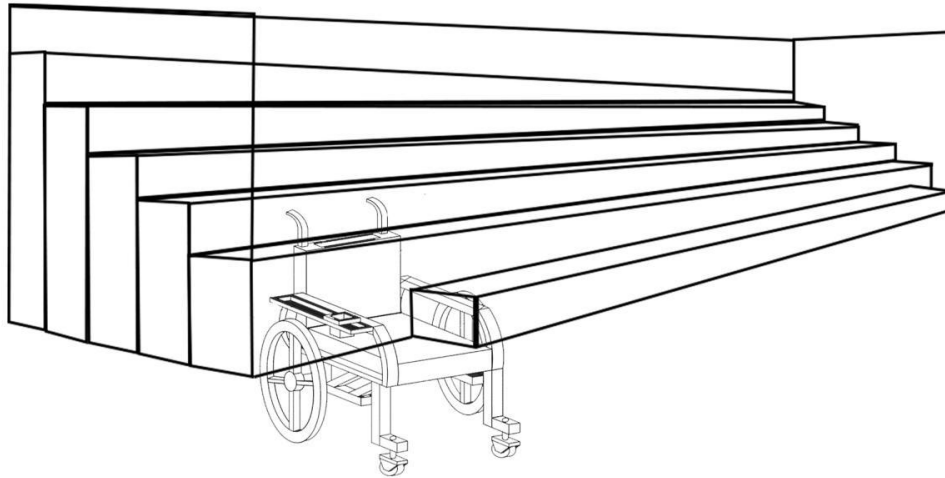


According to the actual situation of the venue, the portable stand can be moved and storage in different positions to free up space.

Wheelchair Area and Aisle Rail

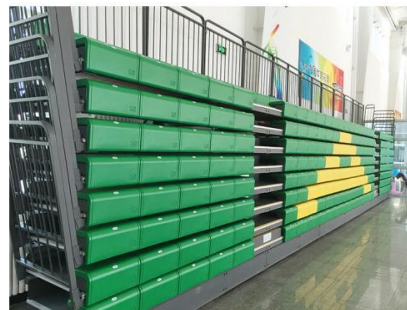
Wheelchair area is for the disabled. The location should be convenient for the disabled.

The aisle rail is to protect people's safety and complete the bleacher function.

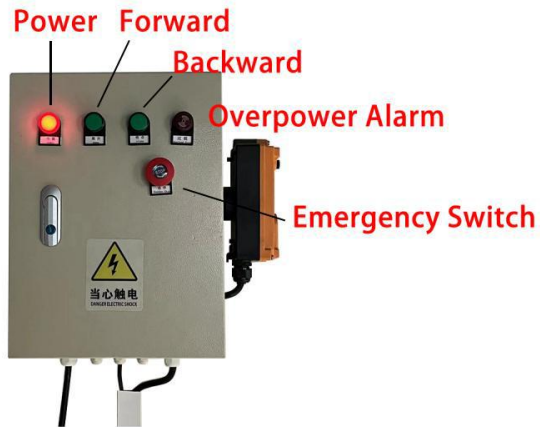


Custom Logo and design

We can customize the logo for your personalized scheme. Besides, variety of seat color choices can make the stand looks more dynamic.



Electronic Option : 380V 60HZ / 110V 50HZ



Retractable Bleachers



NOVA

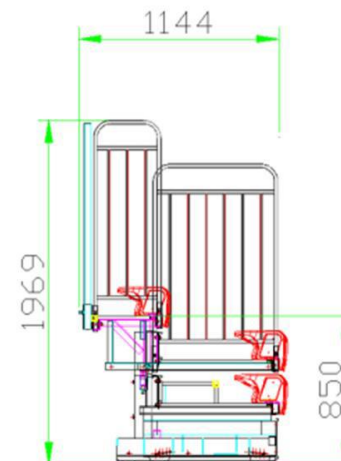
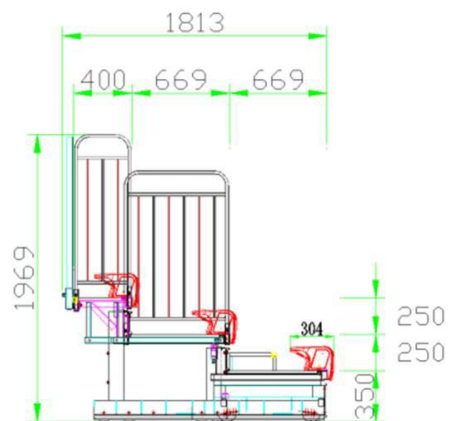
Size: 455*304*235mm

Material: HDPE

Production Tech: Blow Molding

Installation : Front Mounted

Application: Scholls, Sport center,
Gymnasium.



Eco-L

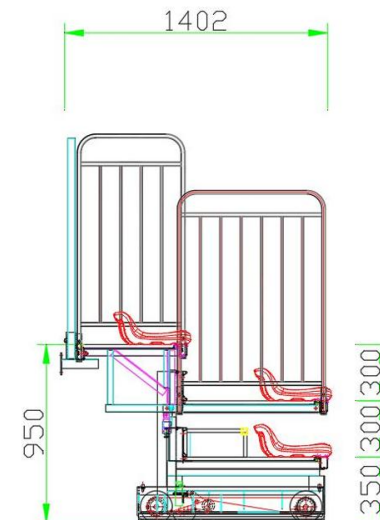
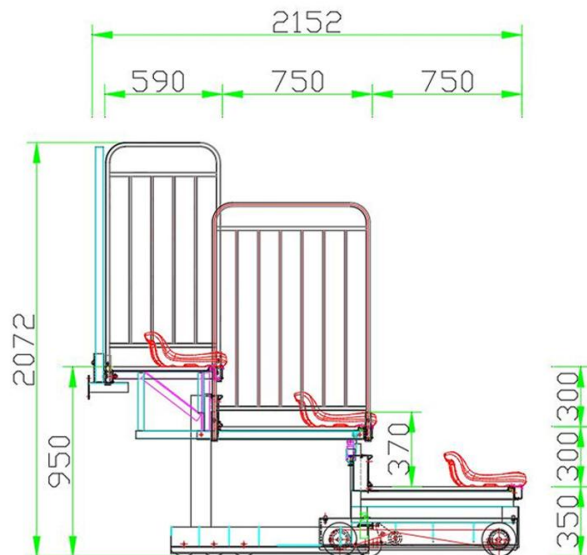
Size: 415mm*410mm*162mm

Material: HDPE

Production Tech: Blow molding

Installation: Front install

Application: Schools, stadium, sport venue, concert hall, university.



Retractable Bleachers



Mate

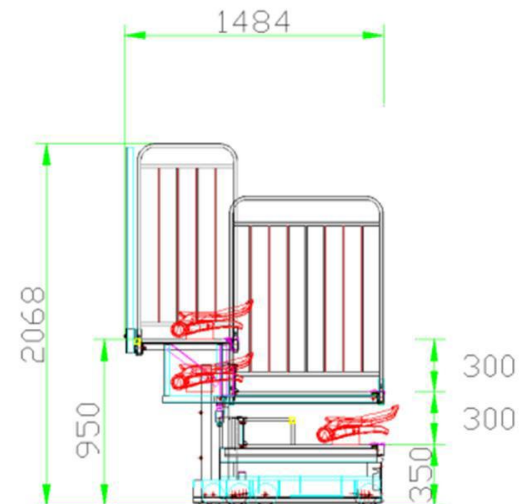
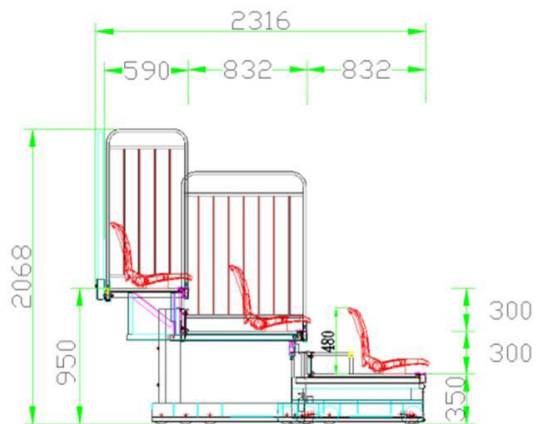
Size: 460mm*542mm*512mm

Material: HDPE

Production Tech: Blow Molding

Installation : Front Mounded/Rear-fold-
ing

Application: Scholls, Sport center,
Gymnasium.



Shell

Size: 480mm*552mm*780mm

Material:PP

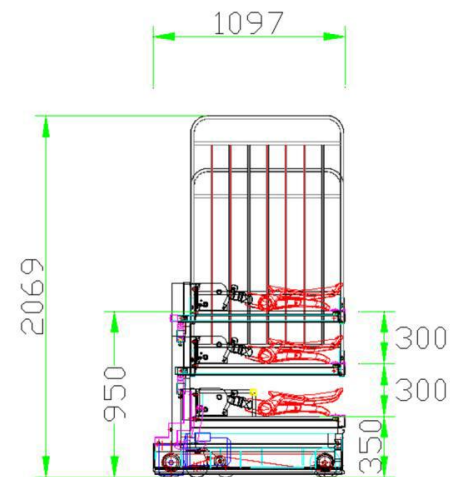
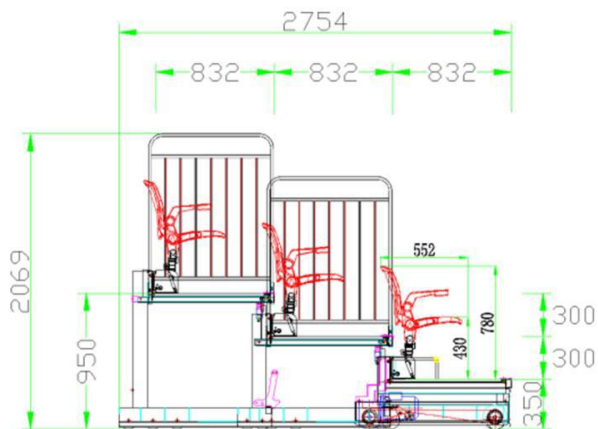
Production Tech: Air Injection

Installation: Rear-folding

Application: Concert hall, Studio

Meeting room, Venue, Auditorium,

Multi-function hall.



Retractable Bleachers



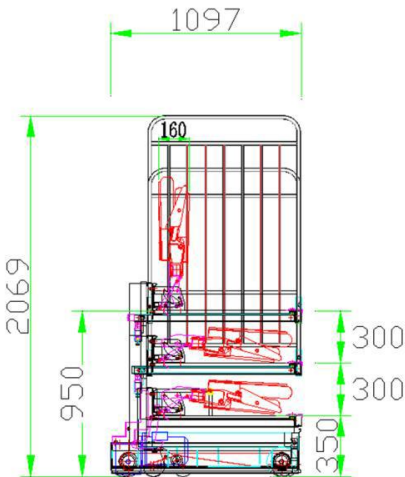
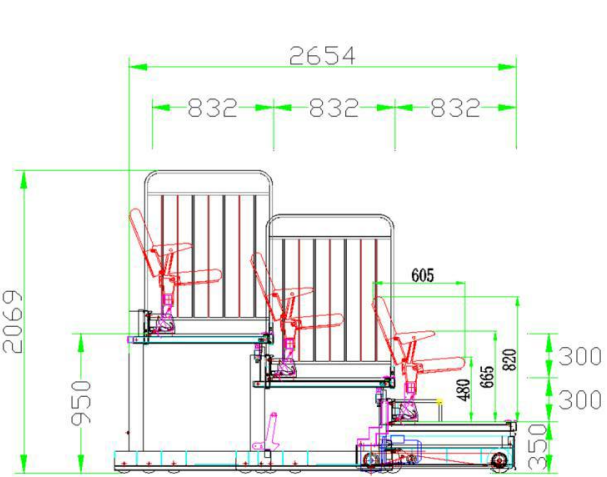
Honor

Size: 510*620*650mm

Installation: Rear-folding

Application: Cinema, Meeting room,
Venue, Auditorium, Concert hall.

Deck Optional: laminate with PVC/car-
pet



VIP Seat



Soft Cushion: High density foam upholstered with durable fabric

Seat Back: Fully upholstered outer back and seat pan

Frame: Heavy duty iron frame in powder coated finish

Tip-Up Seat: Specially designed synchronized seat and back folding mechanism

Feet: Well coated metal floor mounting type base



Soft Cushion: High density foam upholstered with durable fabric

Seat: High quality polypropylene outer seat pan

Back: Well finished plywood outer back pan

Frame: Heavy duty iron frame in powder coated finish

Armrest: Quality lacquered nature solid wood

Tip-Up Seat: Durable dual spring driven flip up mechanism

Feet: Floor mounting type with 2 bolting holes

Seat Cushion Inner Frame: Super strong iron inner seat frame with S shape spring

Soft Cushion: High density foam upholstered with durable fabric

Seat|Back: Well finished plywood outer back and seat pan

Frame: Powder coated die-casting aluminium leg and frame

Armrest: Quality lacquered nature solid wood

Tip-Up Seat: Durable spring + damping flip up mechanism

Writing Table: Laminated wood writing pad with alu. folding mechanism

Feet: Casting alu. Floor mounting base, Optional installing angle degrees



Soft Cushion: High density foam upholstered with durable fabric

Seat|Back: Well finished plywood outer back and seat pan

Frame: Heavy duty iron frame in powder coated finish

Armrest: Quality lacquered nature solid wood

Tip-Up Seat: Maintenance free counter weight mechanism

Feet: Floor mounting type with 2 bolting holes



Metal Structure Bleachers

Aluminum portable Bleachers

The portable bleacher is made of aluminum. It is welded with customized aluminum alloy profiles. It consists of three parts, which are aluminum structure, deck and seat. These advantages are modular assembly (connect each unit easily), easy to operate and moved and combined according to the clients needs. It is suitable for small and medium-sized gymnasiums, schools, multi-function halls, indoor and outdoor competition venues and outdoor leisure clubs.



The small portable aluminum bleacher is the best choice of increasing seat temporarily. With wheel system, it's easy to move and stock.

3/4/5rows aluminum bleachers



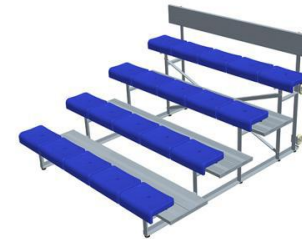
Product:	3 rows single pedal
Length:	2050mm/4068mm
Width:	1620mm
Height:	656mm
Seat:	15PCS/27PCS



Product:	3 rows double pedal+seat
Length:	2250mm/4080mm
Width:	1620mm
Height:	724mm
Seat:	15PCS/27PCS



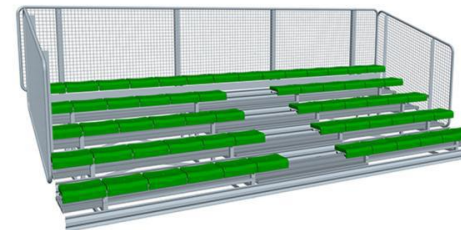
Product:	4 rows single pedal
Length:	2225mm/4005mm
Width:	2580mm
Height:	1216mm
Seat:	20PCS/36PCS



Product:	4 rows double pedal+seat
Length:	2250mm/4080mm
Width:	2610mm
Height:	1285mm
Seat:	20PCS/36PCS



Product:	5 rows bench without aisle
Length:	4080mm
Width:	2965mm
Height:	2293mm
Seat:	45PCS

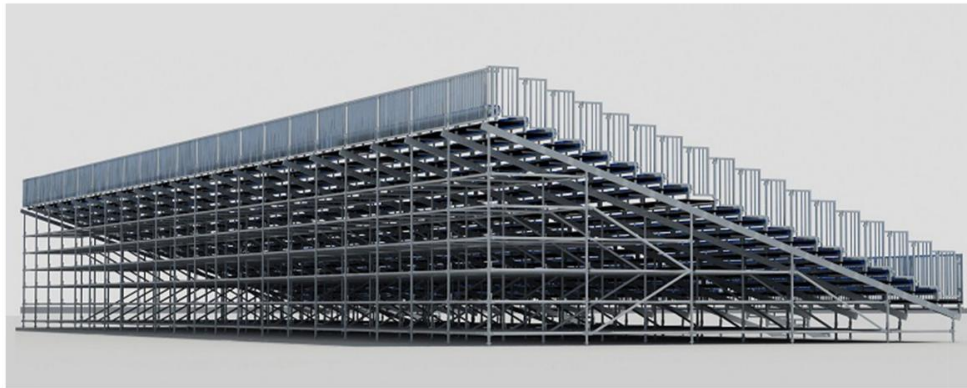


Product:	5 rows bench with aisle
Length:	6328mm
Width:	3080mm
Height:	2293mm
Seat:	62PCS

Metal Structure Bleachers

Scaffolding system Structure Bleachers

The system is used for temporary matches or other activities to serve as spectators, which is variable and can be connected by different banks. The hot galvanized framework is combined with anodized aluminium seat plank and mill-finished foot planks, which can be daily used, both indoors and outdoors, with little or no maintenance for years to come.



The medium and small size structures are widely used in high schools, universities, football court, etc. Quality light steel and innovative designs are applied. The simplified design and safe structure with durability are approved by the market.

H-Beam Metal Structure Bleachers

H-beam structure bleacher is one of the best ways to replace traditional concrete stand. It is permanent and stable. All of our seat models can be applied to this system. Hot-dipped steel guarantees that the whole system won't get rusted though long exposure to wind and sun. Each part is bolted and recyclable.

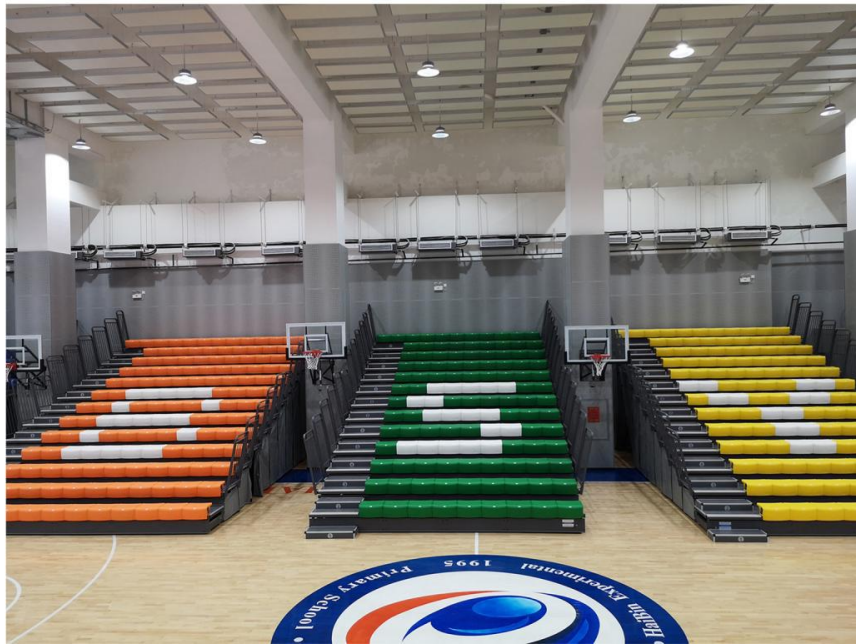
These structures offer the most flexible design . The design could be adapted to accommodate site and terrain configurations. Columns are typically placed apart to accommodate parking, restrooms and other storage facilities under the structure. H-beam structures are fabricated from wide flange steel. Hot-dipped galvanization is needed after fabrication.















深圳市飞扬体育设备有限公司
ShenZhen Flyon Sports Co.,Ltd.

Web:www.flyonsports.cn

Add:406 Room B# 2013 Creative Maker Park,LiJia Road108th
LongGang District,ShenZhen,China(518115)

Tel:+86 755 2871 5966

Mail:info@flyonsport.com