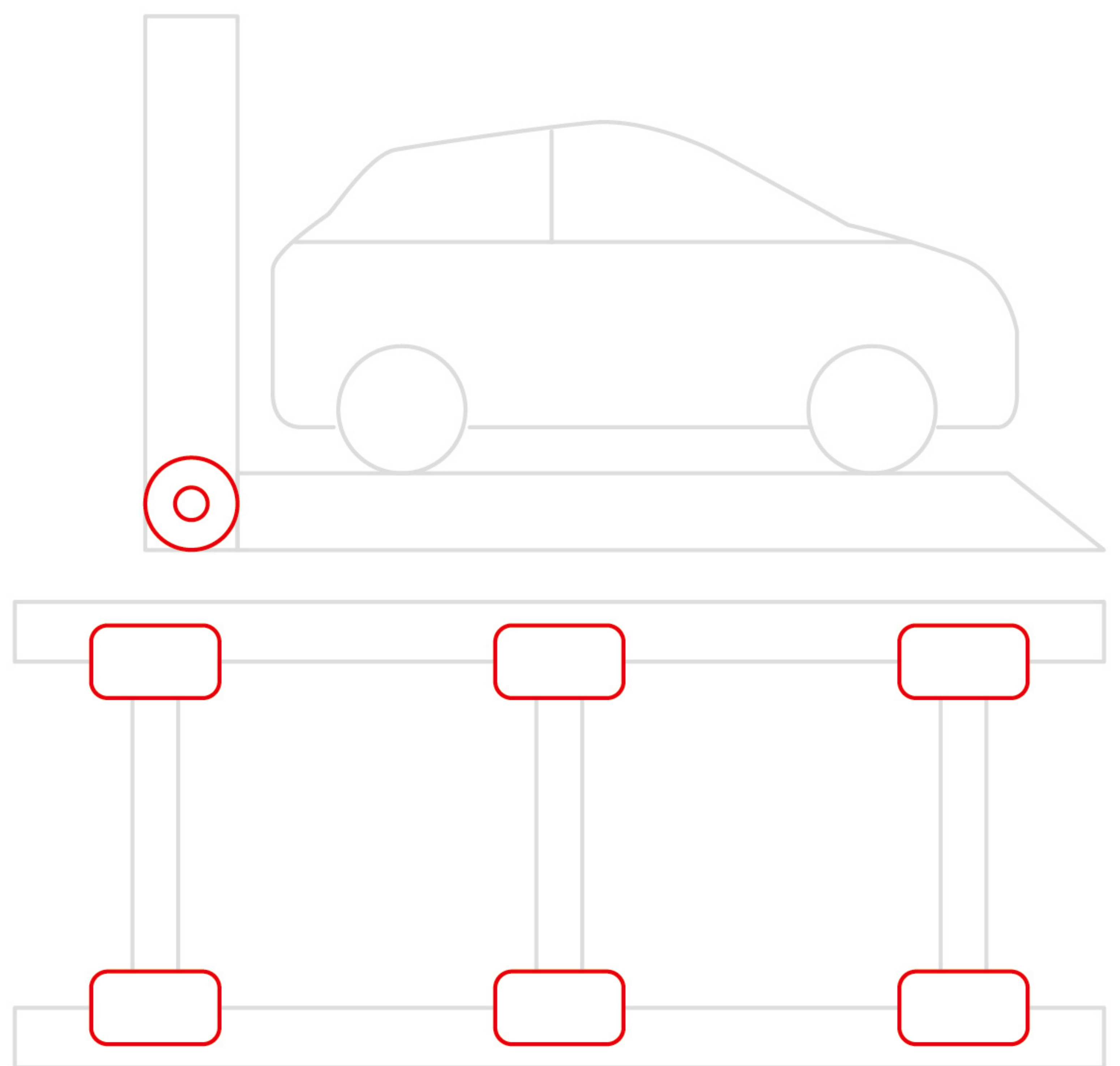
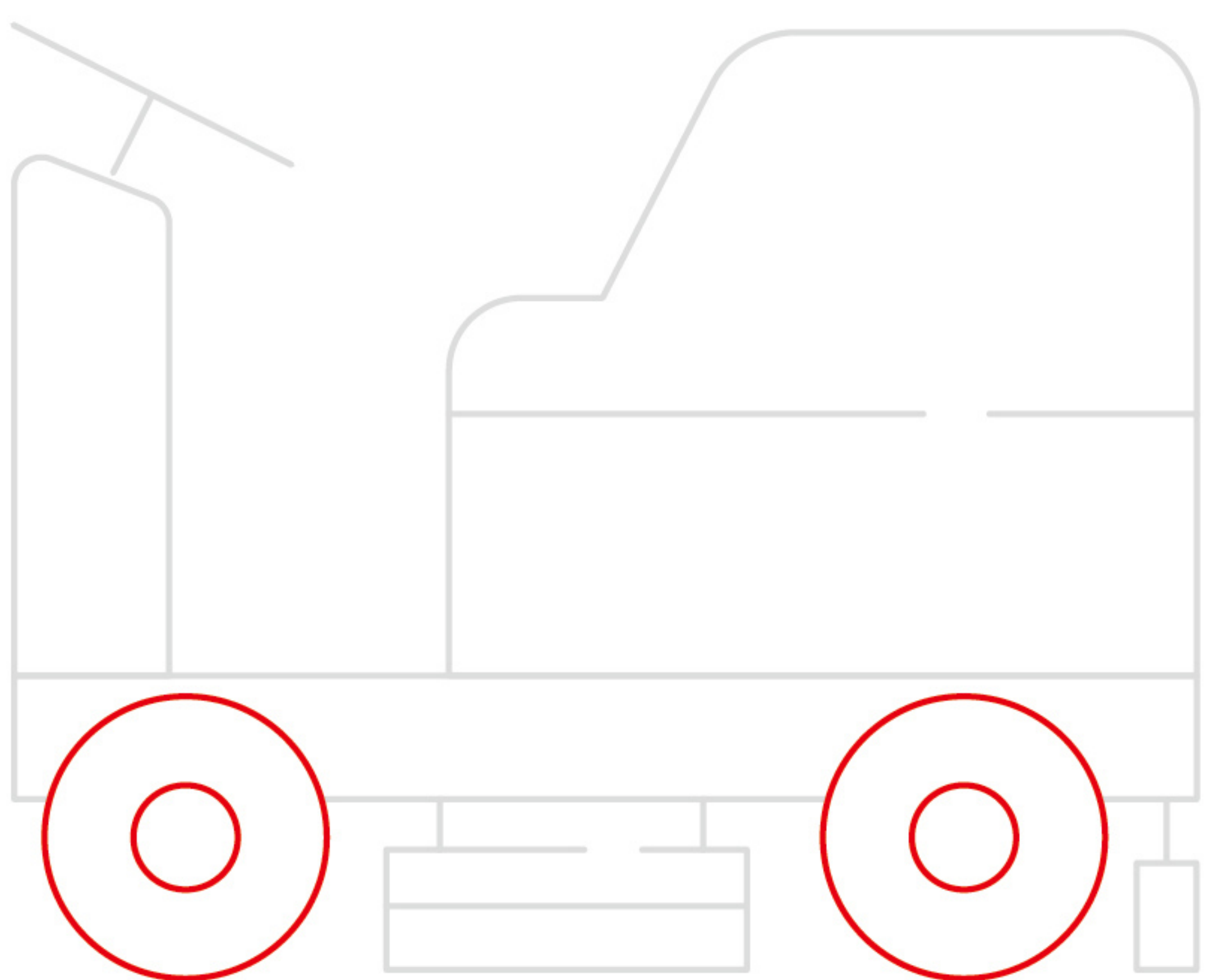
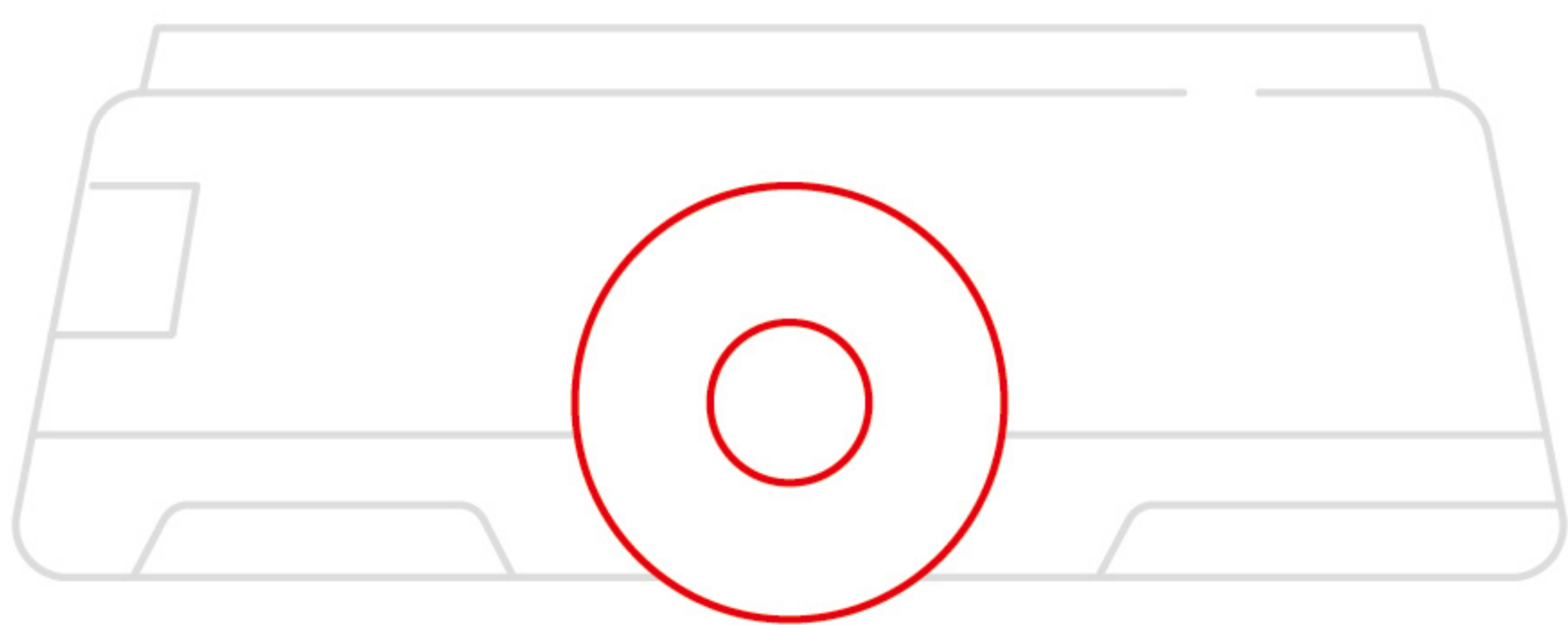


HANKE

PU WHEEL





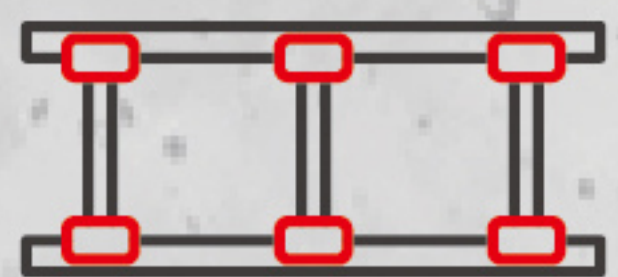
PROVIDE HIGH-QUALITY

POLYURETHANE WHEEL CUSTOMIZATION SERVICES

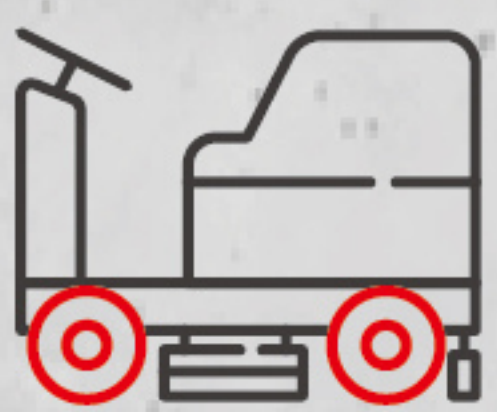
For Global Customers With High Demands.



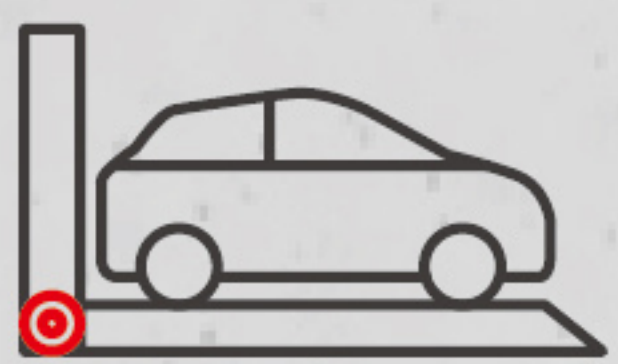
Intelligent
warehouse logistics



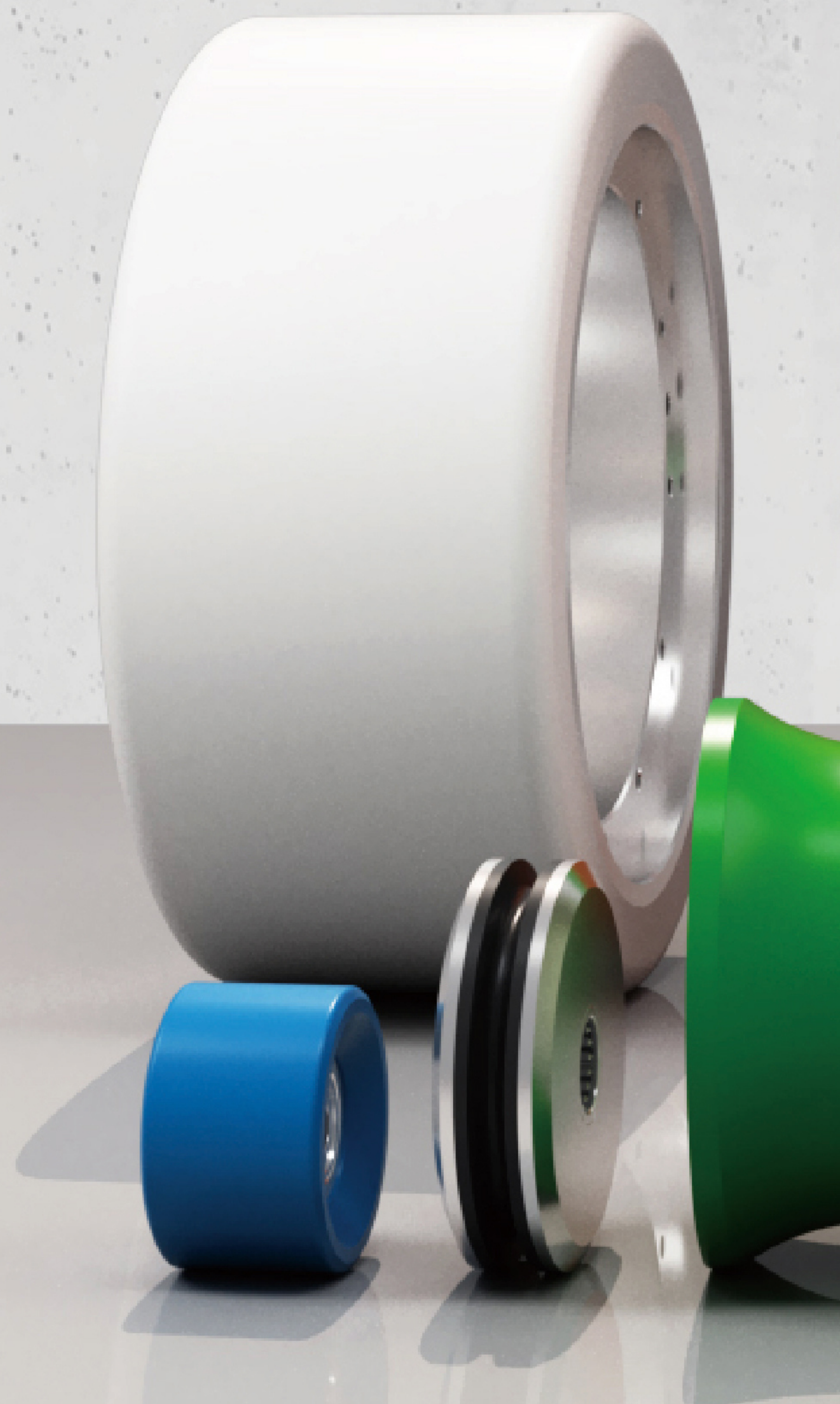
Automobile manufacturing
and conveying



Cleaning
equipment drive



Intelligent
multi-storey car park



Mission



Make the movement of people and things safer

Vision

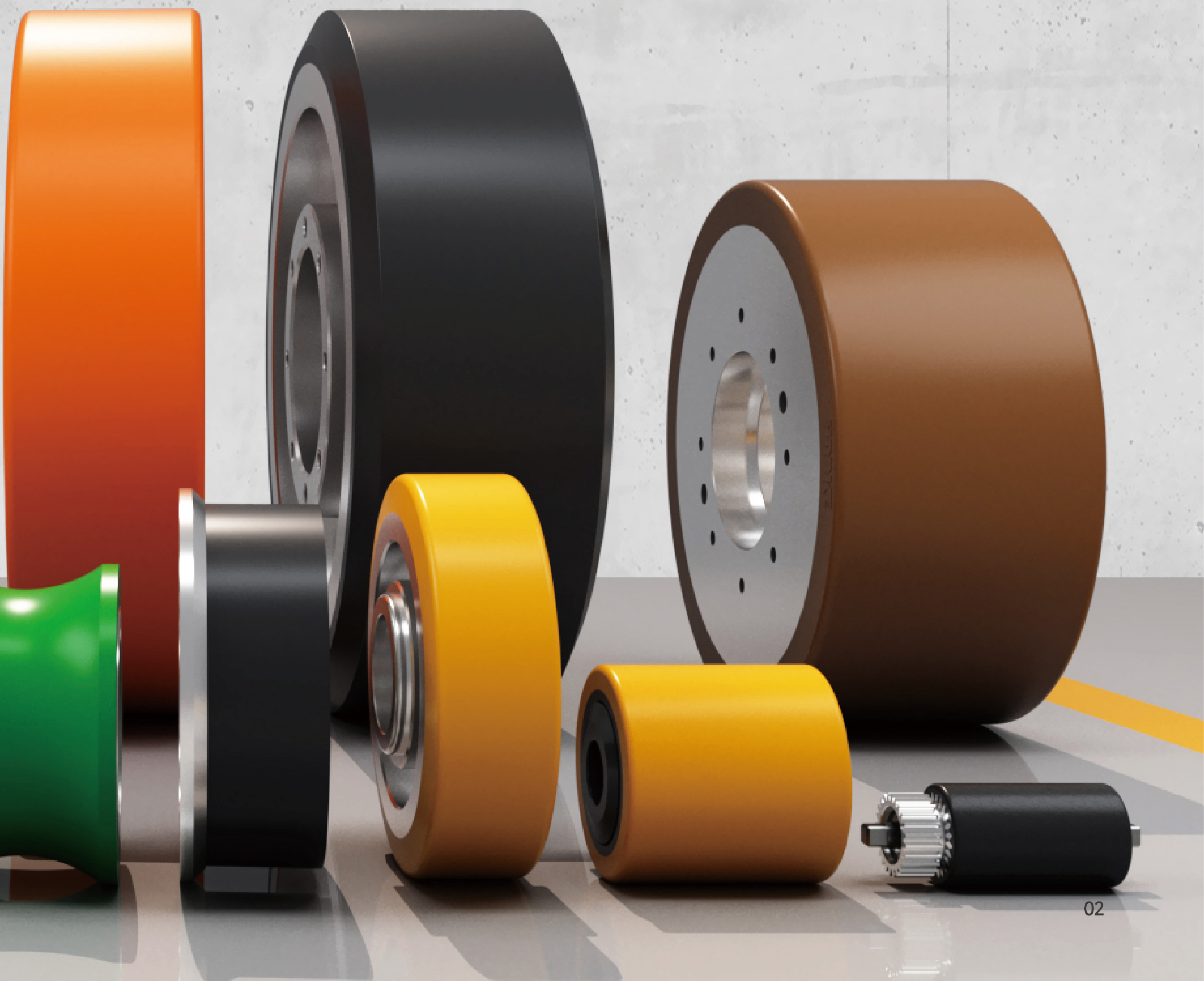


Committed to becoming the most influential wheel supplier for smart logistics industry.

Values



Simplicity, integrity growth, and win-win



Always Dedicated, Attuned to Your Needs.

HANKE - Powering Limitless Possibilities.

MAKING IT SAFER FOR PEOPLE
AND THINGS TO MOVE AROUND

It was in 1989 that our founder led his technical team to successfully develop our first polyurethane elastomer injection machine.

For more than three decades, our core mission has remained rooted in the polyurethane sector, providing our customers with advanced molding technology solutions.



1989



R&D and Manufacturing of Polyurethane Equipment



While continuously exploring innovations in polyurethane molding technology, we have maintained a close watch on its application across various sectors. As market demands for higher-quality polyurethane wheels grow, we observed a significant gap between domestic products and premium international brands. However, the substantial cost pressure associated with imported alternatives posed challenges for many customers. With the rapid advancement of smart logistics, high-quality, well-supported, and cost-effective polyurethane wheels are set to substantially enhance our customers' competitive edge in the market.

To address this need, HANKE (Wenzhou) Polyurethane Technology Co., Ltd. was established in 2019, focusing exclusively on the R&D and manufacturing of polyurethane wheels. Guided by a straightforward business philosophy, we are committed to delivering high-quality polyurethane wheels at competitive prices.

HANKE remains steadfast in the polyurethane wheel industry, setting high standards and stringent requirements to steer our development. Aiming to become a technological leader, we stride confidently toward an envisioned future, collaborating sincerely with customers to achieve mutual success and contribute to sustainable development.



35+

With 35 Years of Specialization in the Polyurethane Industry

52+

A portfolio of 52 technology patents

Premium Equipment, Superior Products.

Total Confidence, Absolute Ease.

◎ Three Core Processes

The integration of advanced machinery, superior raw materials, expert craftsmanship, and strict procedures forms the core of our production system. This synergy builds deep expertise and enables the consistent manufacturing of HANKE's high-performance polyurethane wheels.



Pour

Dynamic pressure regulation, ensure the pressure balance during the pouring process, the proportion is accurate.



Glue spraying

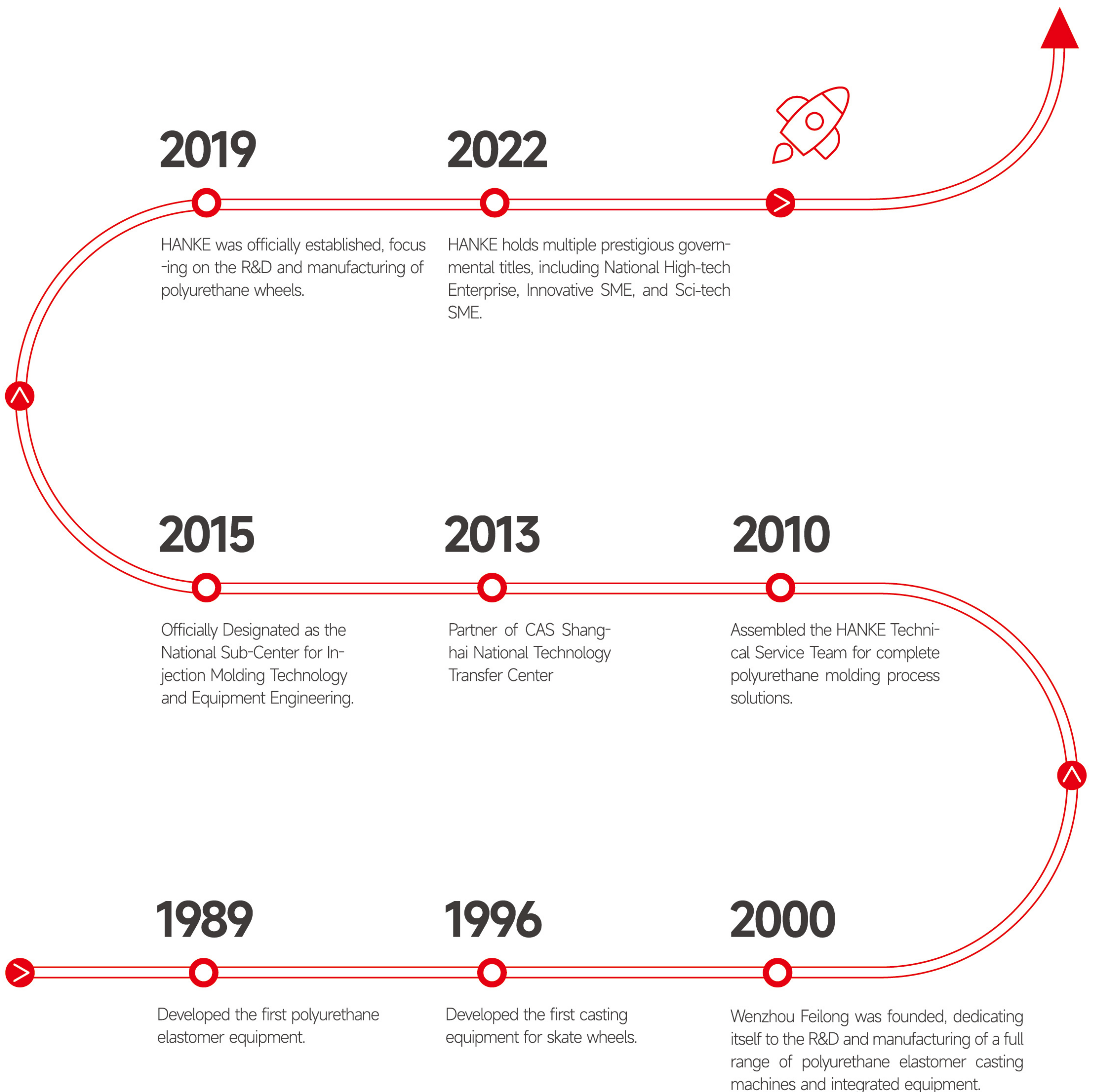
Precisely control the adhesive layer, ensure uniform bonding, and maximize the adhesive effect.



Sandblast

Evenly remove the oxide layer on the surface of the wheel hub, increase the roughness and ensure the effectiveness of adhesion.

Step by Step.
Building Excellence.



Precise Control. Striving for Excellence for You.

Quality



1



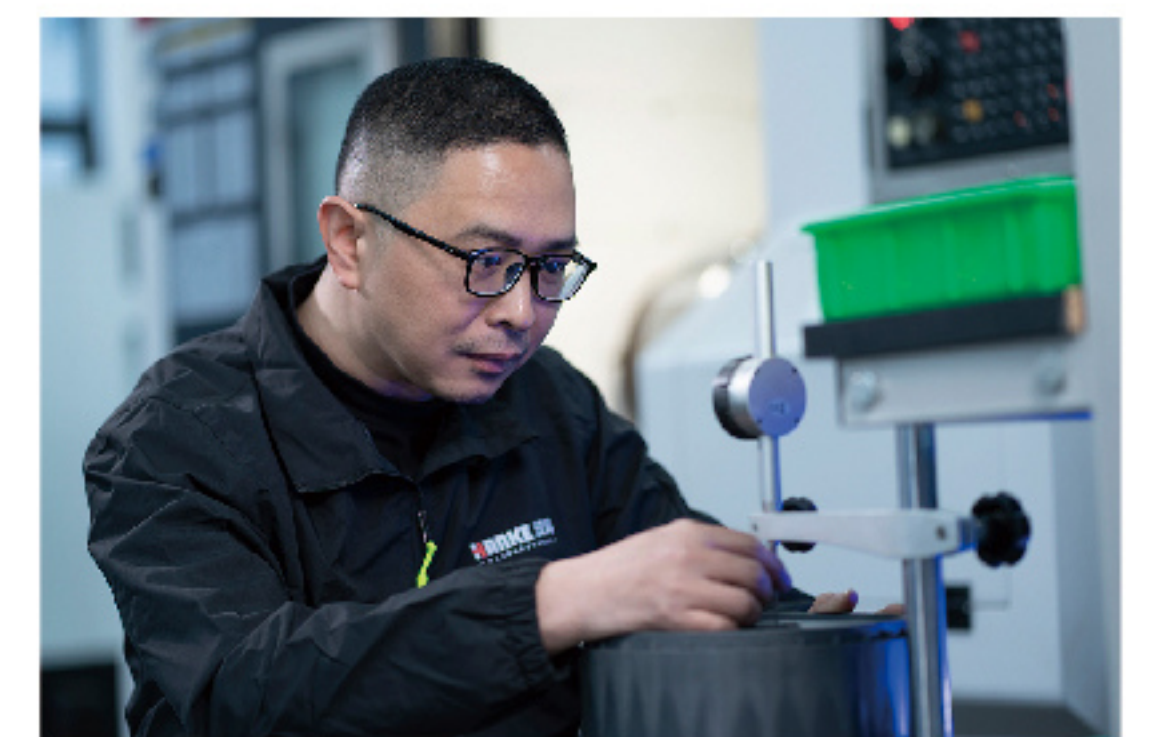
Raw materials inspection

Project

Raw materials for wheel hubs
Polyurethane prepolymer
Other materials

Inspection Content

- Measure the dimensions and hardness according to the requirements of the drawing
- Standard sample blocks and sheets are made for inspection to see if they meet the relevant technical indicators
- Conduct inspections in accordance with the design requirements



2



Process inspection

Hub CNC machining
Hub surface area (process outsourcing)

- Check whether the processing of relevant dimensions complies with the requirements of the drawings according to the drawing requirements
- Check whether the requirements are met according to the drawing requirements

Hub cleaning
The wheel hub is sandblasted
Spray adhesive on the wheel hub

- Check whether the oil stains and dust have been cleaned up thoroughly
- Check whether the sandblasting distance, rotational speed and time meet the requirements of the operation standards
- Check the temperature, humidity and the thickness of the adhesive

Pre-vulcanization of the hub

- Check the temperature of the oven, the actual temperature of the wheel hub and the pre-drying time

Prepolymer pretreatment

- Check the temperature of the oven, the actual temperature of the bucket and the pre-drying time

Pouring polyurethane

- Proportion verification, pressure record sheet, three-piece set of test pieces, first sample, raw material grade verification, demolding time

Secondary vulcanization

- Check the temperature of the oven, the internal temperature and the vulcanization time

Rubber surface turning

- Check the drawings and measure the dimensions

Trimming

- Check the drawings and surface scratches

Spray painting

- Hundred-grid test and color difference comparison

Packaging

- Check whether the product labels and packaging meet the order and transportation requirements



3



Inbound inspection

Semi-finished products warehoused (wheels)

- Check the dimensions and appearance according to the drawings

Finished products are warehoused

- Check the dimensions, appearance and functions according to the drawings



4



Shipment inspection

Finished products out of the warehouse

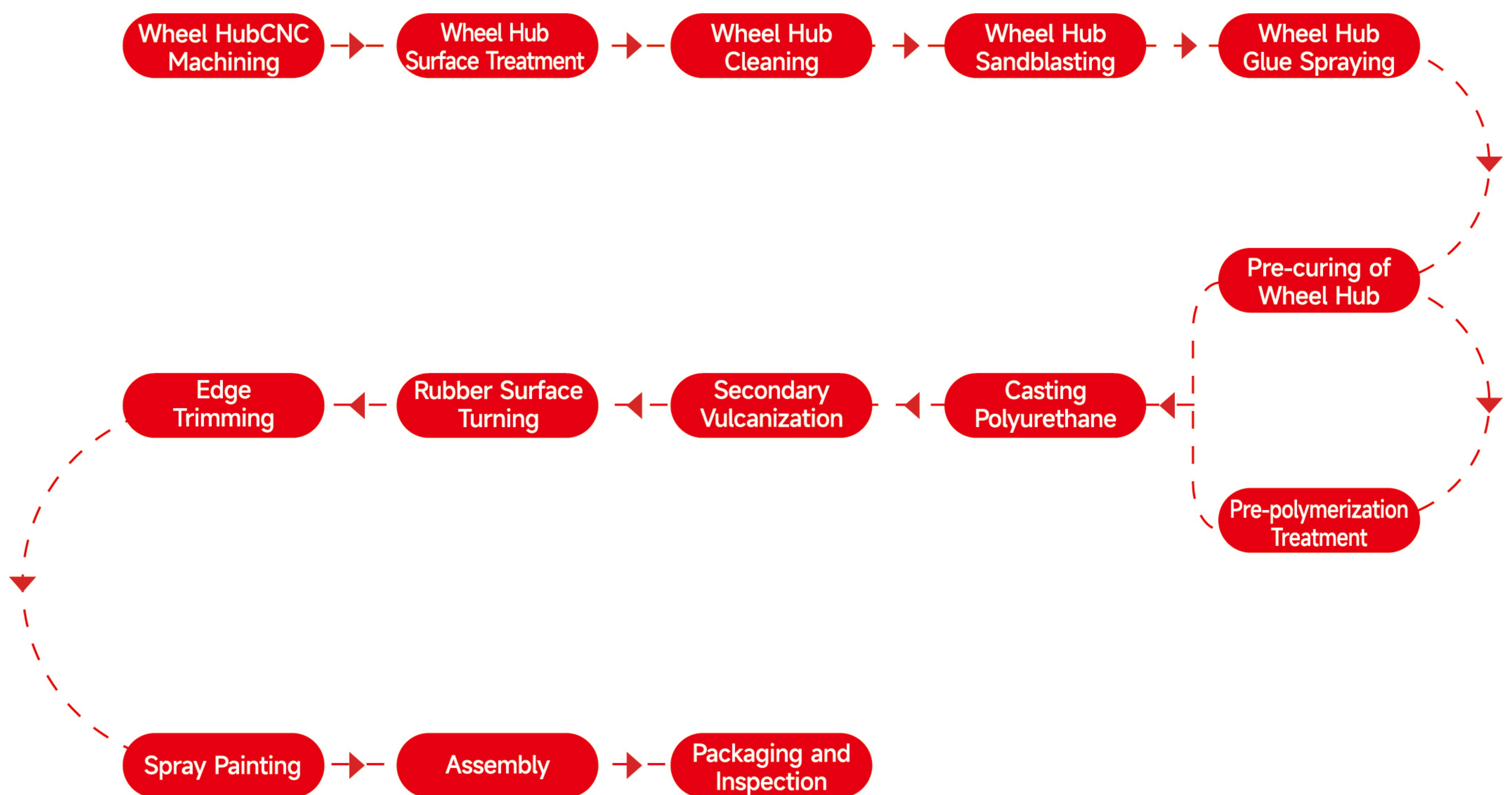
- Check whether the labels are consistent with the goods and whether the packaging meets the requirements





With innovative technology and strict standards.

Forge Excellence.



HANKE PU WHEEL.

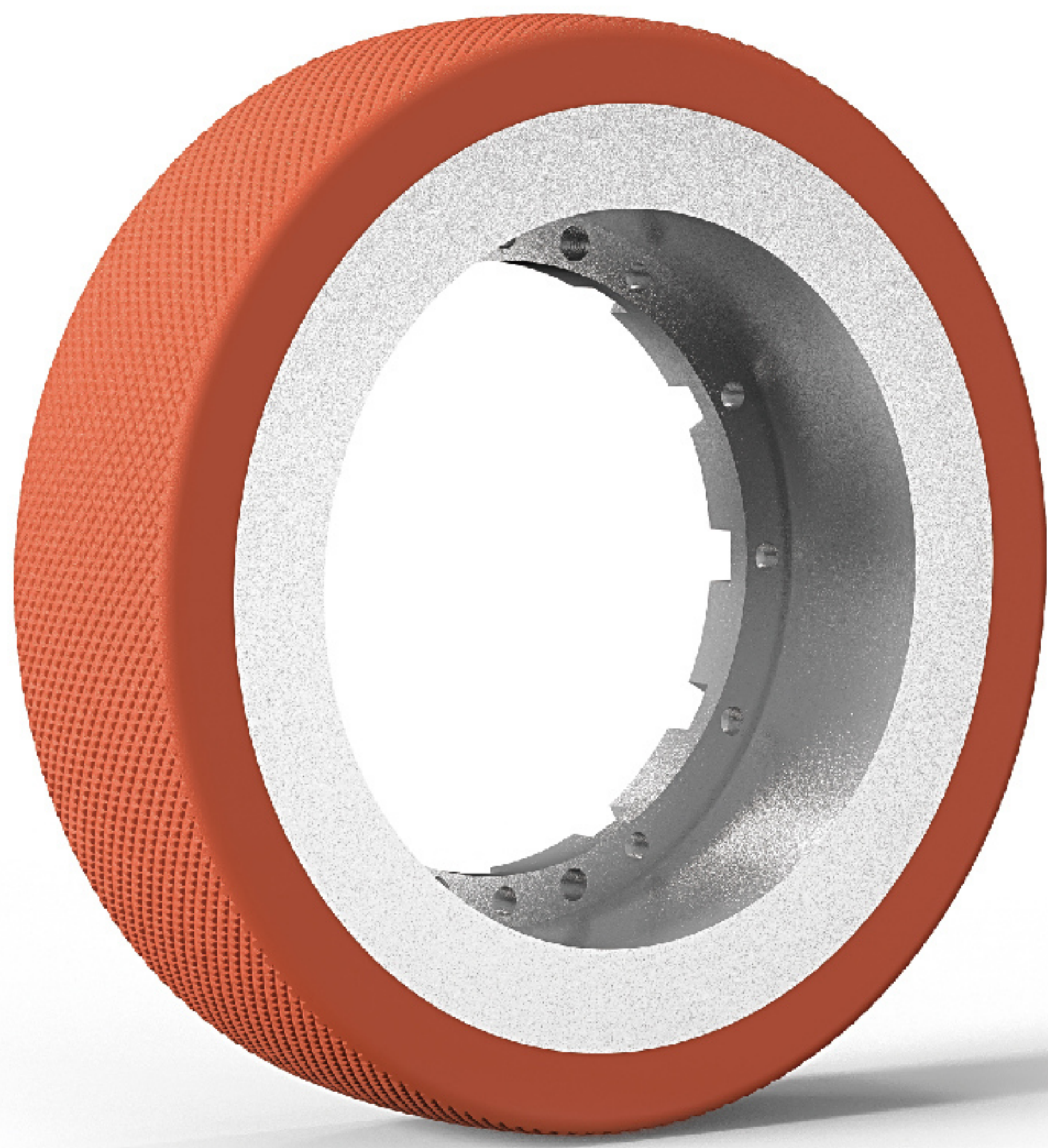
Making it safer for people
and things to move around.

Product Manual

- Polyurethane Drive wheel ● P10-P19
- Polyurethane Idler wheel ● P20-P23
- Polyurethane Guide Wheel ● P24-P25
- Polyurethane Bearing ● P26-P27
- Polyurethane Conveyor Roll ● P28-P29
- Polyurethane Custom Category ● P29-P30

GEFB Series-Polyurethane Flanged Drive wheel (Diamond Tread Pattern)

Drive wheel with Eamflex polyurethane tread



	Tread Encapsulation Hardness		93 Shore A
	Protect the ground/walking noise		good
	Rolling resistance		Very good
	Wear resistance capacity		Outstanding

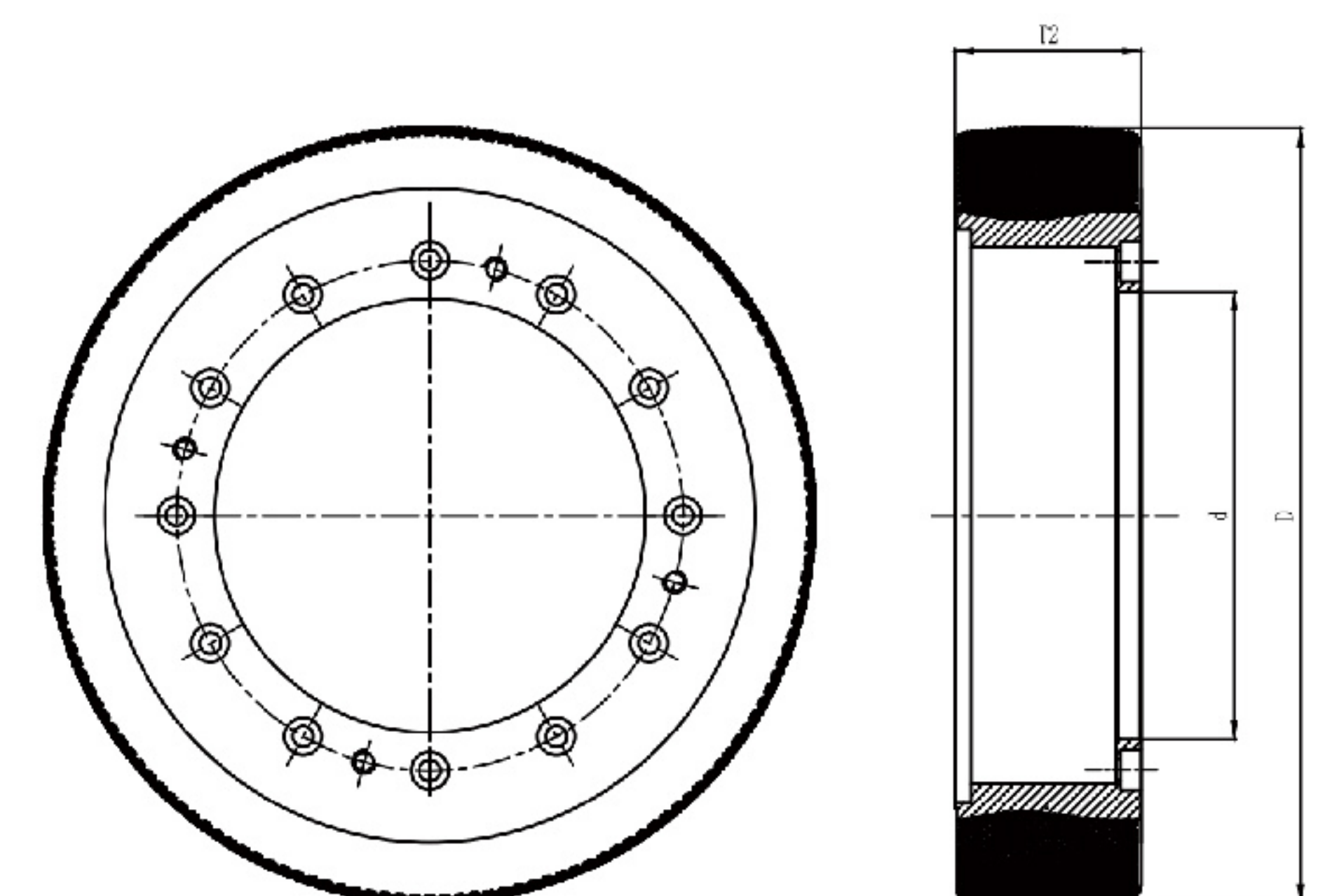
POLYURETHANE DRIVE WHEEL

Introduction

Tread: The high-quality polyurethane elastomer cast through chemical reaction has A hardness of 93±3 Shore A. It has low walking noise, small rolling resistance, protects the ground, is highly wear-resistant, has high resistance to cutting and tearing, leaves no marks, does not stain, and has an excellent bonding effect with the wheel core.

Wheel core: Metal materials such as 45# steel, cast iron, die-cast aluminum alloy, and stainless steel can be selected according to the working conditions. Surface treatment options include painting, phosphating, galvanizing, Dacromet, etc

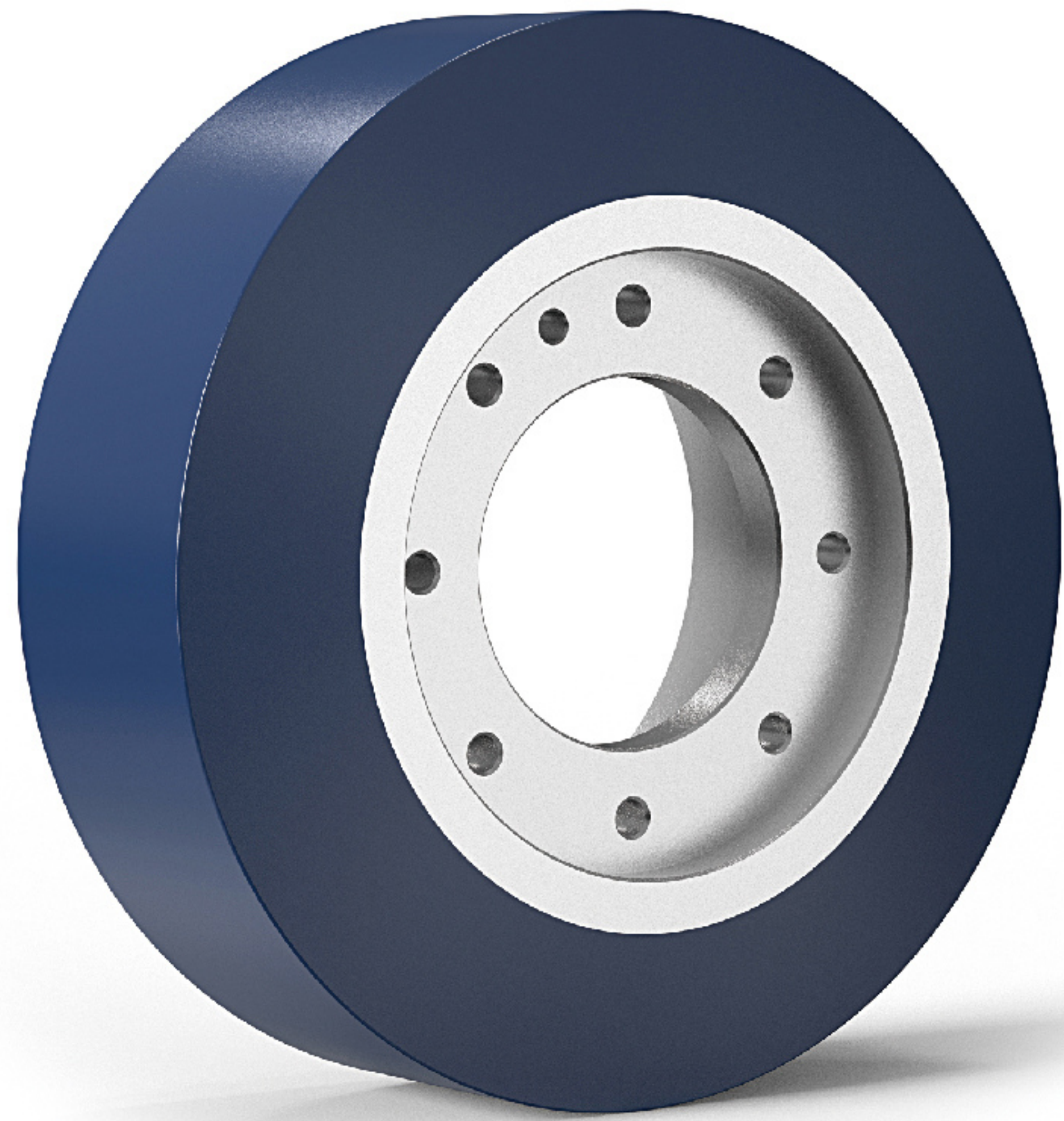
Other features: Resistant to corrosion by various corrosive substances; Operating temperature: -30°C to +70°C, short-term up to +90°C. Load capacity decreases above +40°C



Technical parameters

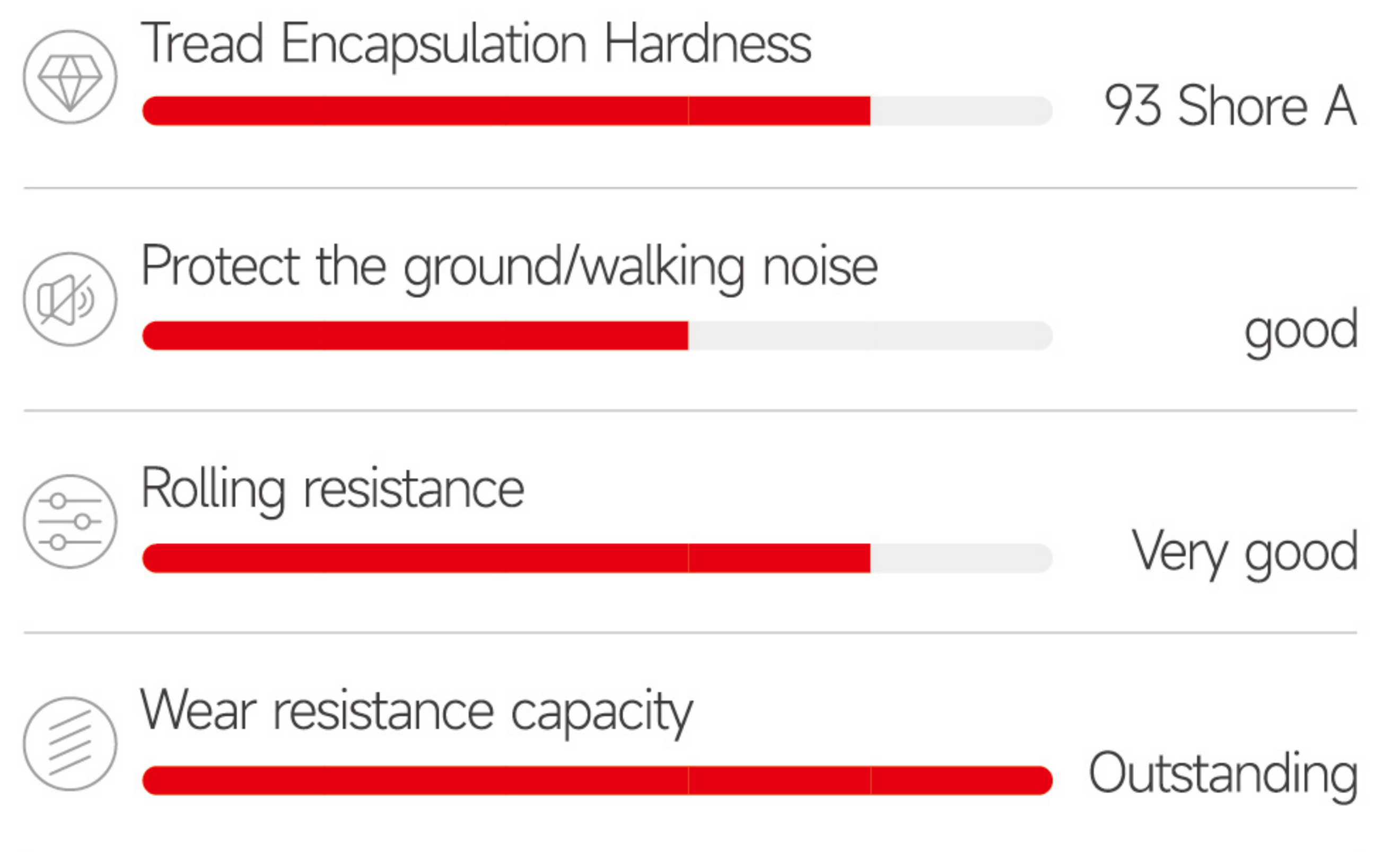
Single Wheel	Wheel Diameter (D) mm	Wheel Width (T2) mm	Load Capacity at 4km/h (kg)	Load Capacity at 10km/h (kg)	Number of Mounting Holes	Mounting Hole Diameter	Central Hole Diameter(d)mm	PCD (d1)mm
GEFA 150/40	150	40	650	300				Customizable
GEFA 165/40	165	40	750	350				Customizable
GEFA 180/40	180	50	850	420				Customizable
GEFA 200/50	200	50	900	450				Customizable
GEFA 225/50	200	80	1400	700				Customizable
GEFA 250/70	250	80	1800	900				Customizable
GEFA 275/80	250	100	2200	1100				Customizable
GEFA 300/80	300	100	2700	1350				Customizable
GEFA 350/85	350	80	2200	1100				Customizable

Other sizes are available upon request



GEFA Series-Polyurethane Flanged Drive Wheel

Drive wheels with Eamflex polyurethane tread

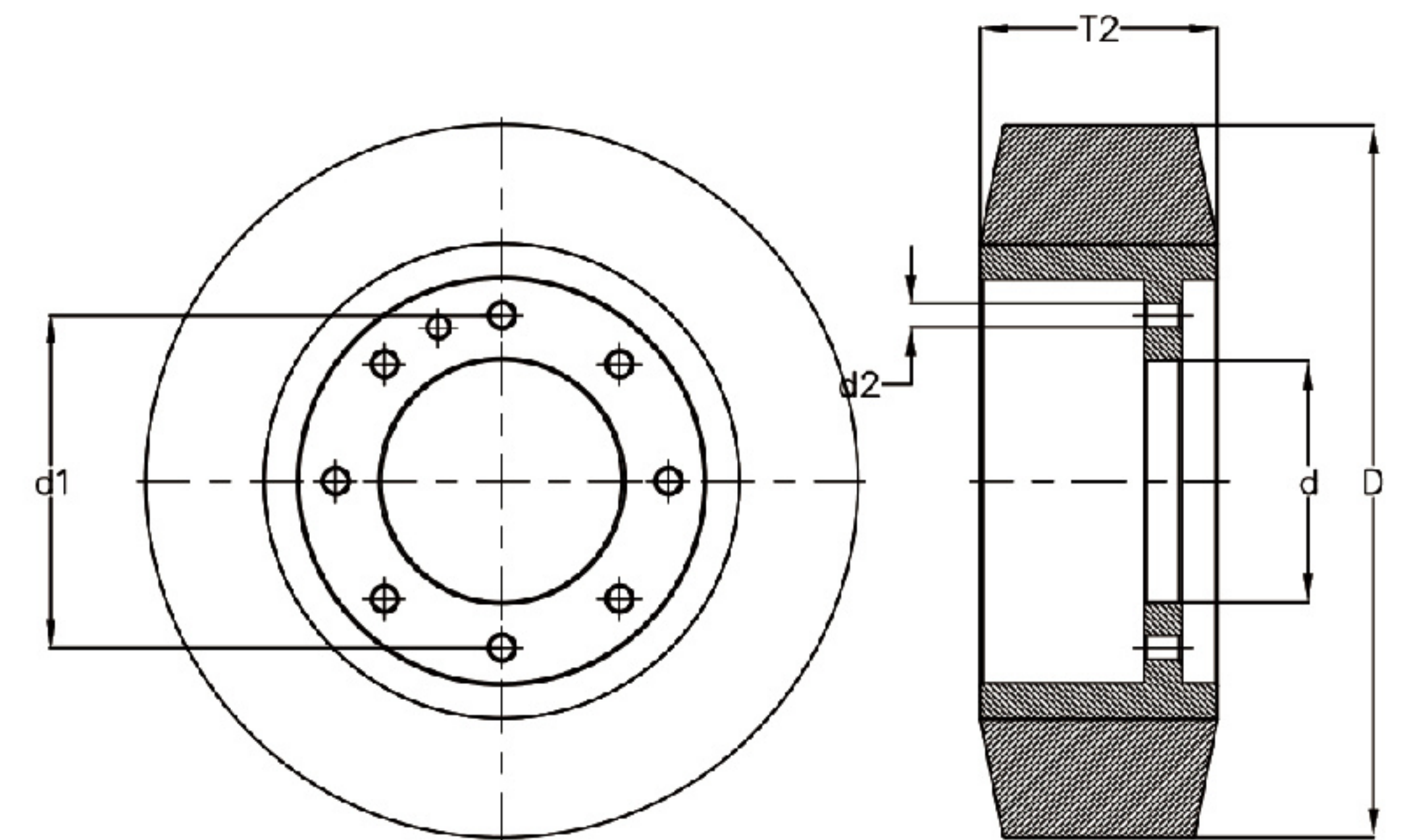


Introduction

Tread: The high-quality polyurethane elastomer cast by chemical reaction has a hardness of 93±3 Shore A, low walking noise, low rolling resistance, protects the ground, is very wear-resistant, has high cutting and tearing strength, is non-marking and non-staining, and has excellent bonding effect with the wheel core.

Wheel core: Metal materials such as 45# steel, cast iron, die-cast aluminum alloy, stainless steel, etc. can be selected according to working conditions; surface treatment can be spray painting, phosphating, galvanizing, Dacromet, etc.

Other features: Resistant to a wide range of corrosive substances; operating temperature: -30°C to +70°C, temporarily up to +90°C, load capacity reduced above +40°C



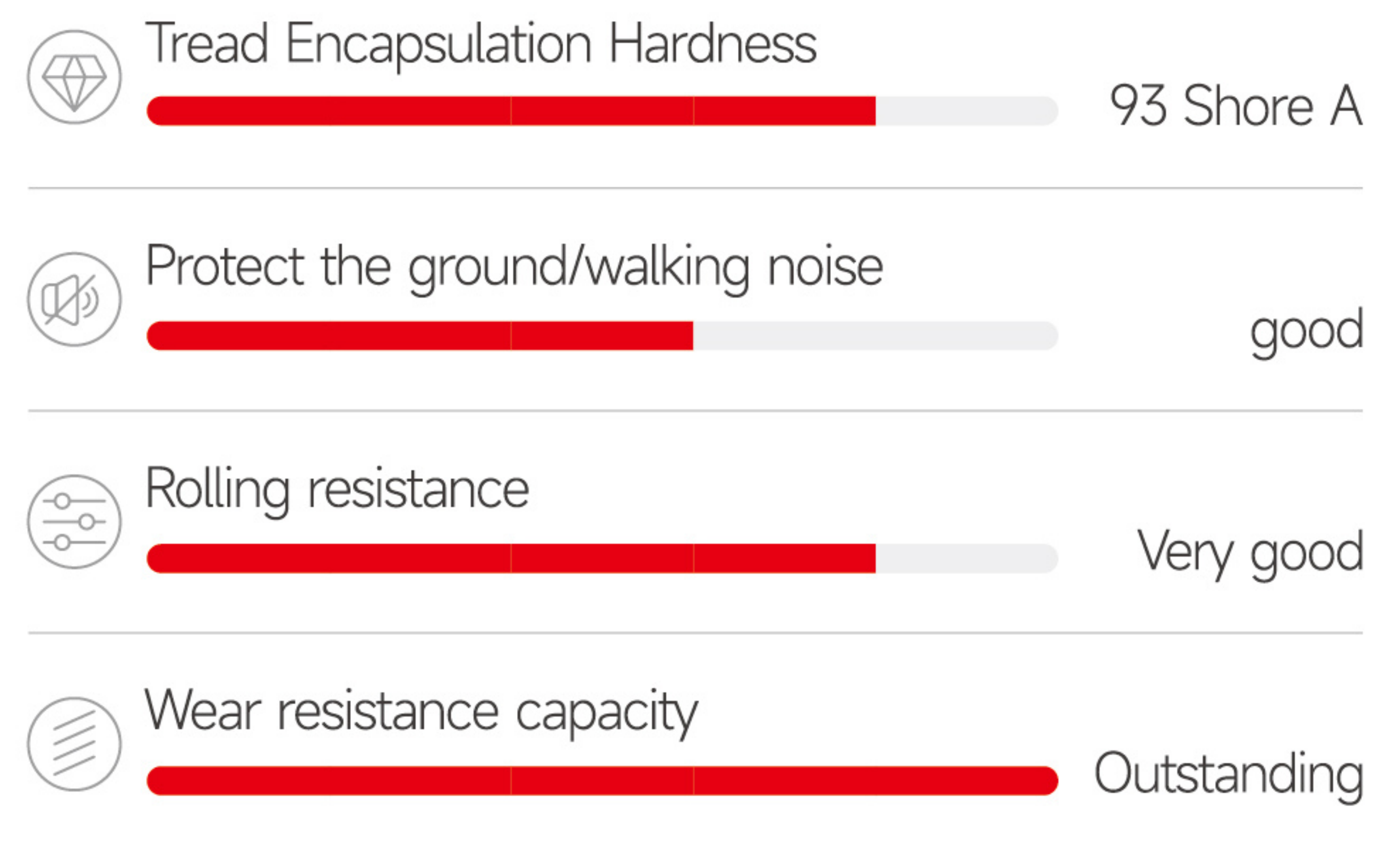
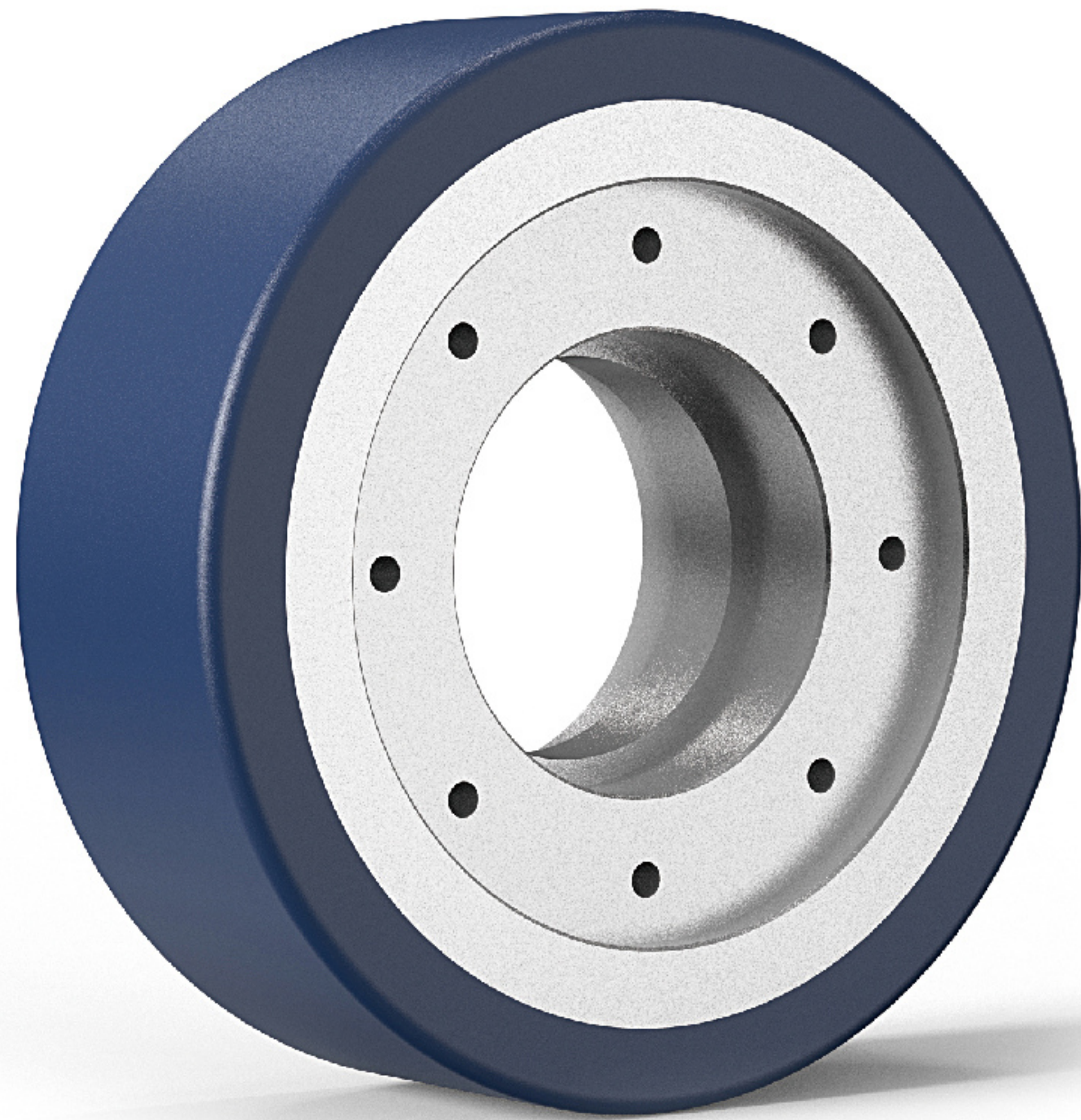
Technical parameters

Single Wheel	Wheel Diameter (D) mm	Wheel Width (T2) mm	Load Capacity at 4 km/h (kg)	Load Capacity at 10km/h (kg)	Load Capacity at 16km/h (kg)	Mounting Hole Diameter	Center Hole Diameter (d) [mm]	PCD (d1)mm
GMFC 250/80	250	80	1800	900		Customizable		
GMFC 250/100	250	100	2300	1150		Customizable		
GMFC 300/80	300	80	2100	1050		Customizable		
GMFC 300/100	300	100	2700	1350		Customizable		
GMFC 360/80	360	80	2500	1250		Customizable		
GMFC 360/120	360	120	3000	1500		Customizable		
GMFC 400/100	400	100	3400	1700		Customizable		
GMFC 415/125	400	125	4500	2250		Customizable		
GMFC 400/125	415	125	5000	2500		Customizable		
GMFC 500/150	500	150	6500	3250		Customizable		
GMFC 500/200	500	200	8800	4400		Customizable		

Other sizes are available upon request

GEFB Series-Polyurethane Flanged Drive Wheel

Drive Wheels with Eamflex Polyurethane Tread



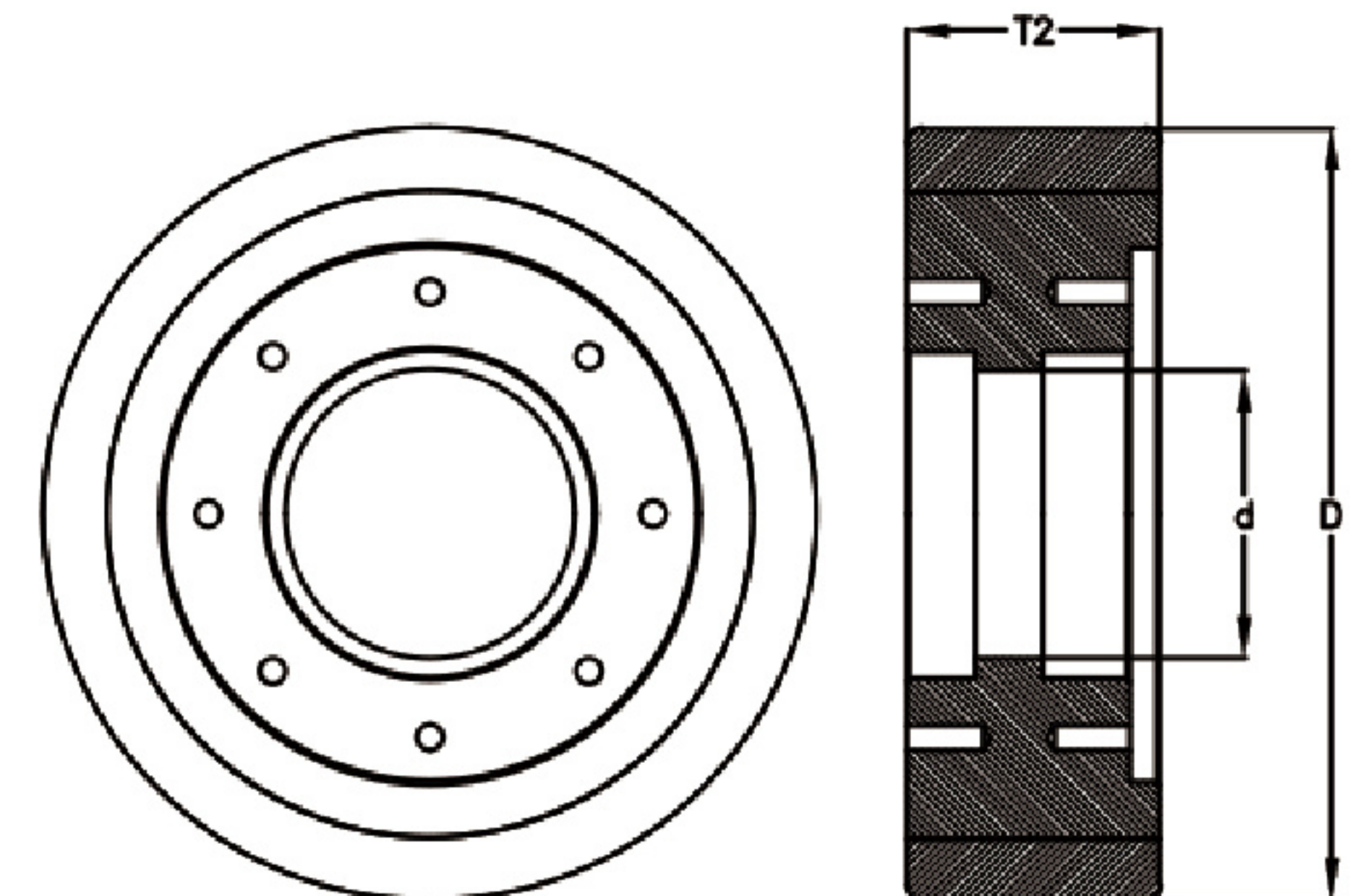
POLYURETHANE DRIVE WHEEL

Introduction

Tread: Chemically reacted, high-quality polyurethane elastomer with a hardness of 93±3 Shore A offers low running noise, low rolling resistance, excellent ground protection, exceptional wear resistance, high cut and tear resistance, non-marking and non-staining properties, and excellent adhesion to the wheel core.

Wheel core: Available in 45# steel, cast iron, die-cast aluminum alloy, stainless steel, and other metal materials depending on the operating conditions. Surface treatment options include painting, phosphating, galvanizing, and Dacromet.

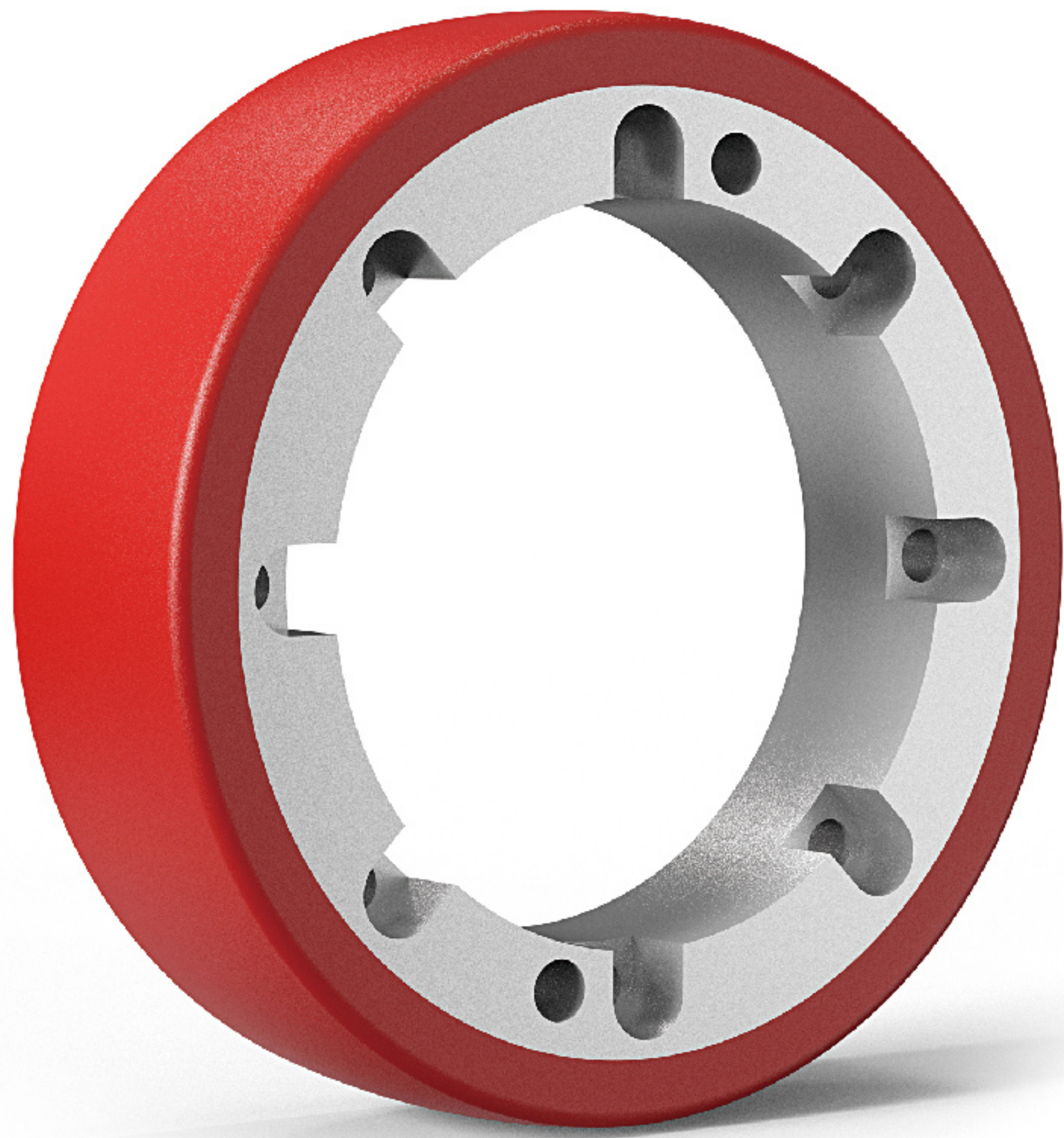
Other features: Corrosion resistant to various corrosive substances. Operating temperature: -30°C to +70°C, temporarily up to +90°C. Load capacity is reduced above +40°C.



Technical parameters

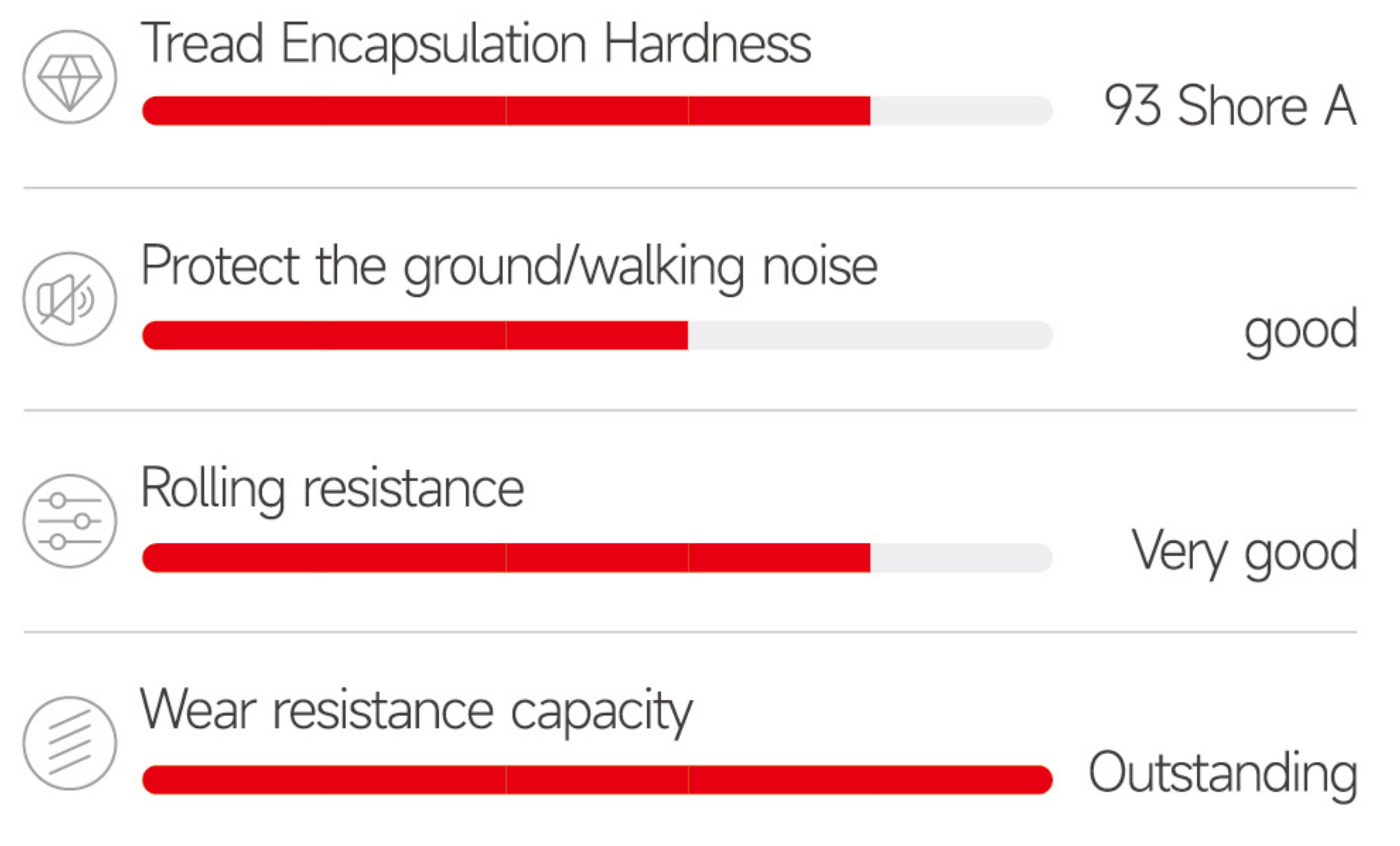
Single Wheel	Wheel diameter (D) mm	Whee width (T2) mm	Load capacity at 4 km/h (kg)	Load capacity at 10 km/h (kg)	Number of mounting holes	Mounting hole diameter	Center hole diameter (d) mm	PCD
GEFB 250*50	250	50	1100	550				Customizable
GEFB 250*80	250	80	1800	900				Customizable
GEFB 300*80	300	80	2100	1050				Customizable
GEFB 300*100	300	100	2700	1350				Customizable
GEFB 360*75	360	75	2200	1100				Customizable
GEFB 400*80	400	80	2800	1400				Customizable
GEFB 400*100	400	100	3400	1700				Customizable
GEFB 500*100	500	100	4500	2250				Customizable
GEFB 500*200	500	200	9000	4500				Customizable
GEFB 600*150	600	150	8000	4000				Customizable
GEFB 600*200	600	200	10000	5000				Customizable
GEFB 750*200	750	200	12500	6250				Customizable

Other sizes are available upon request



GEFC Series-Polyurethane Flanged Drive Wheel

Drive Wheels with Eamflex Polyurethane Tread

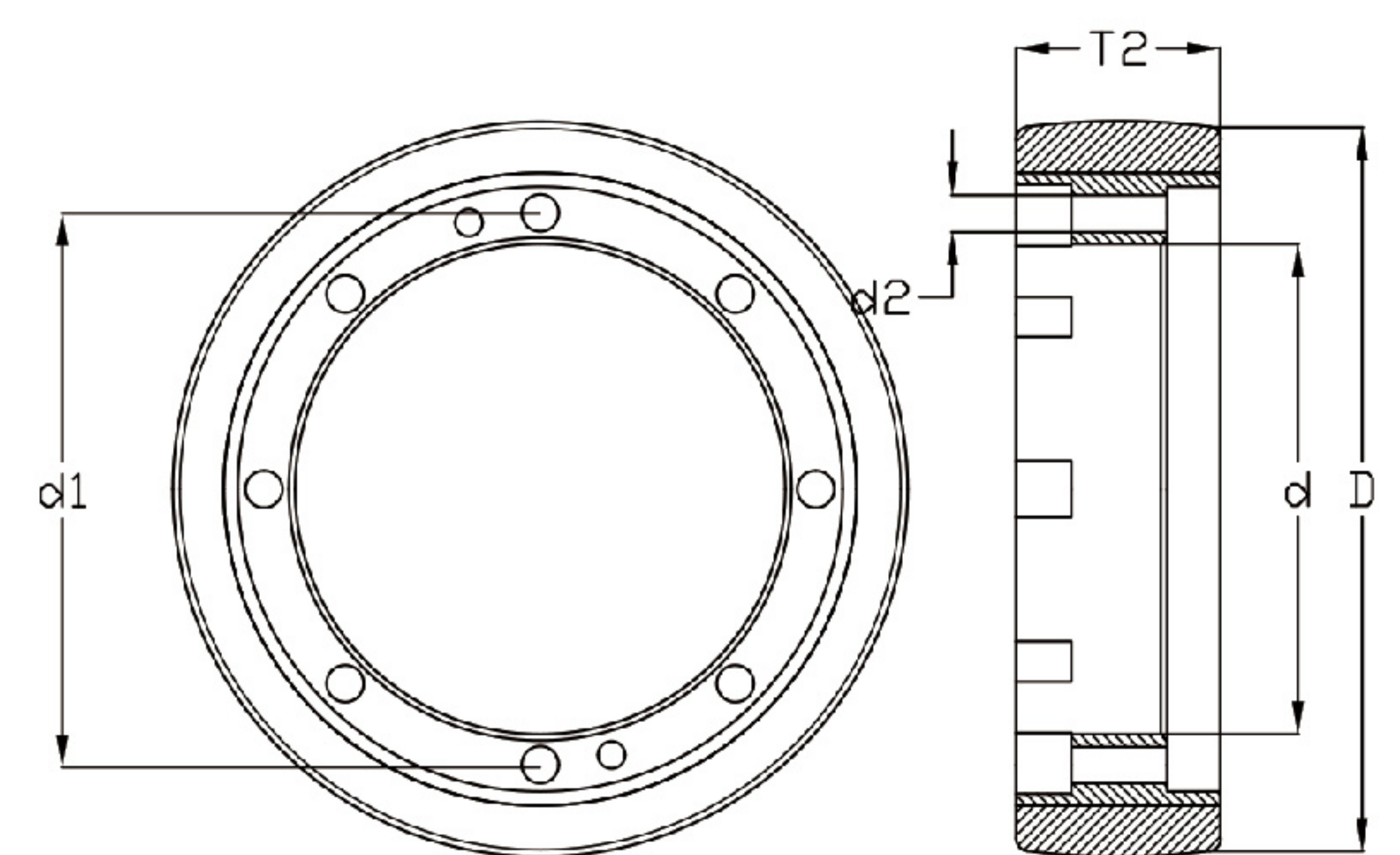


Introduction

Tread: The high-quality polyurethane elastomer cast through chemical reaction has A hardness of 93±3 Shore A. It has low walking noise, small rolling resistance, protects the ground, is highly wear-resistant, has high resistance to cutting and tearing, leaves no marks, does not stain, and has an excellent bonding effect with the wheel core.

Wheel core: Metal materials such as 45# steel, cast iron, die-cast aluminum alloy, and stainless steel can be selected according to the working conditions. Surface treatment options include painting, phosphating, galvanizing, Dacromet, etc

Other features: Resistant to corrosion by various corrosive substances; Operating temperature: -30°C to +70°C, short-term up to +90° C. Load capacity decreases above +40°C



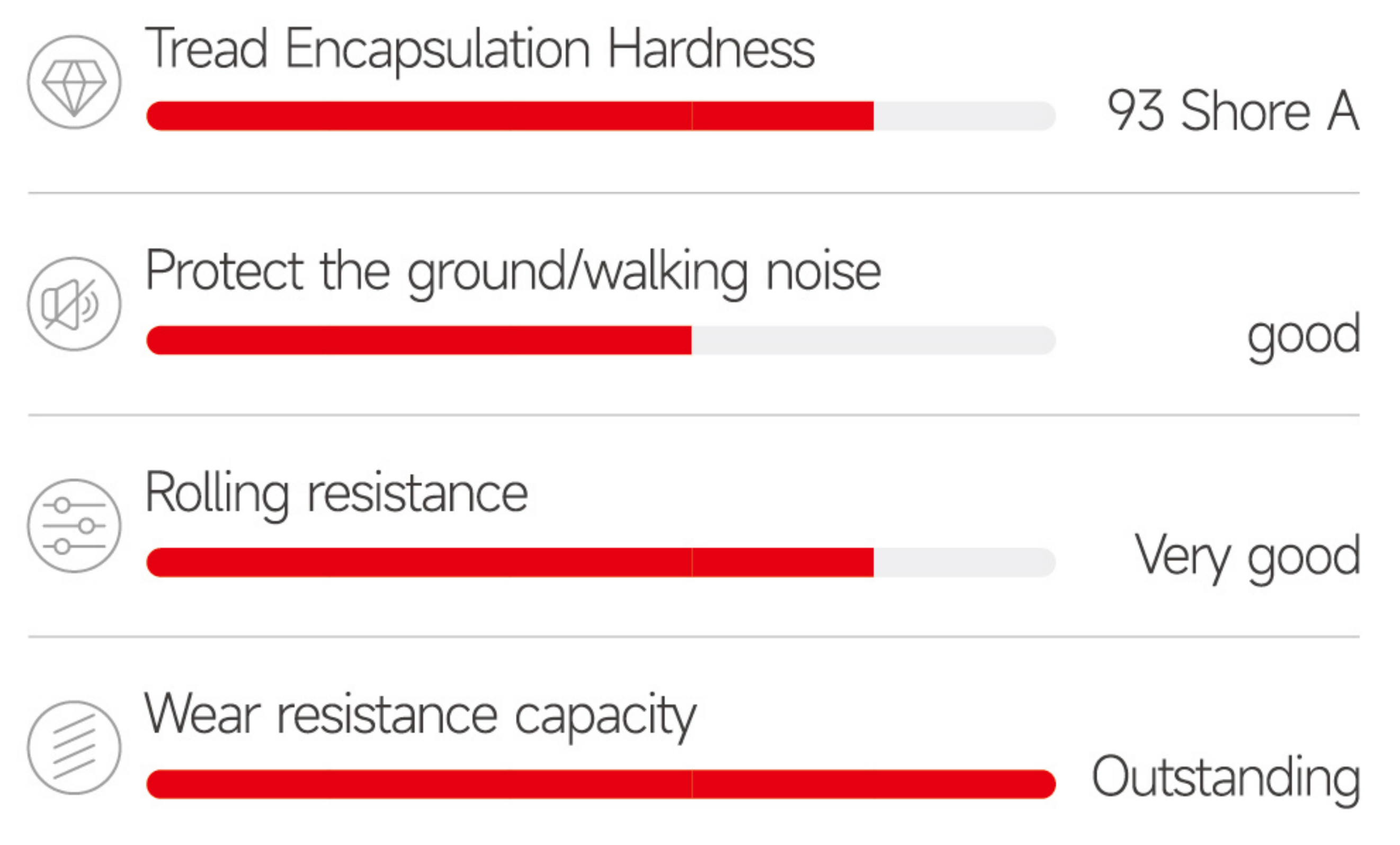
Technical parameters

Single Wheel	Wheel Diameter (D) mm	Wheel Width (T2) mm	Load capacity at 4 km/h (kg)	Load capacity at 10 km/h (kg)	Load capacity at 16 km/h (kg)	Number of Mounting Holes	Mounting Hole Diameter (d2) mm	Center Hole Diameter (d)mm	PCD (d1)mm
GEFC 200/50	200	50	900	630	360				Customizable
GEFC 250/60	250	60	1300	910	520				Customizable
GEFC 250/80	250	80	1600	1100	640				Customizable
GEFC 300/90	300	90	2100	1450	840				Customizable
GEFC 400/100	400	100	3400	2350	1350				Customizable

Other sizes are available upon request

GEFD Series-Polyurethane Flanged Drive Wheel

Drive Wheels with Eamflex Polyurethane Tread



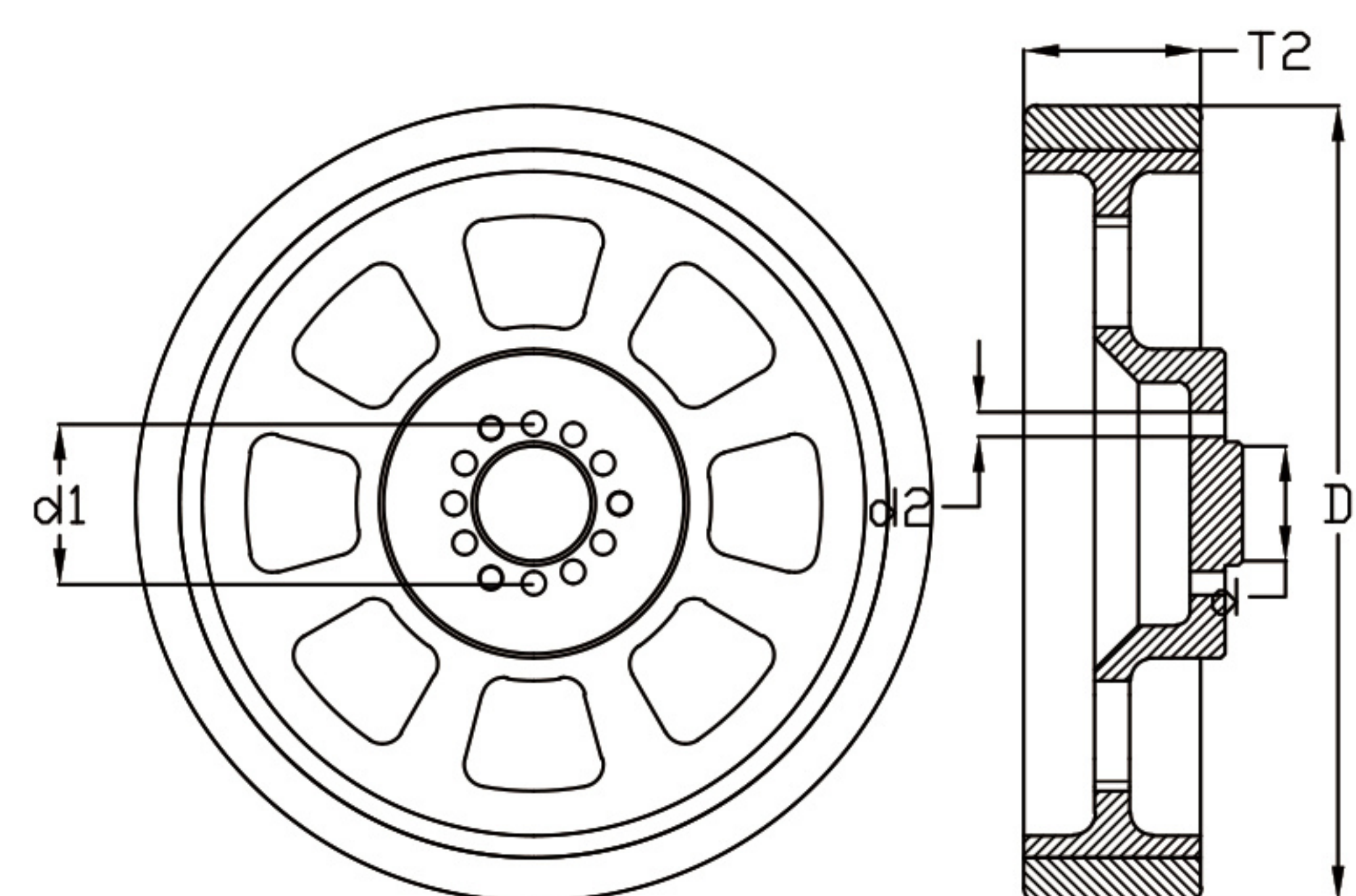
POLYURETHANE DRIVE WHEEL

Introduction

Tread: The high-quality polyurethane elastomer cast through chemical reaction has A hardness of 93±3 Shore A. It has low walking noise, small rolling resistance, protects the ground, is highly wear-resistant, has high resistance to cutting and tearing, leaves no marks, does not stain, and has an excellent bonding effect with the wheel core.

Wheel core: Metal materials such as 45# steel, cast iron, die-cast aluminum alloy, and stainless steel can be selected according to the working conditions. Surface treatment options include painting, phosphating, galvanizing, Dacromet, etc

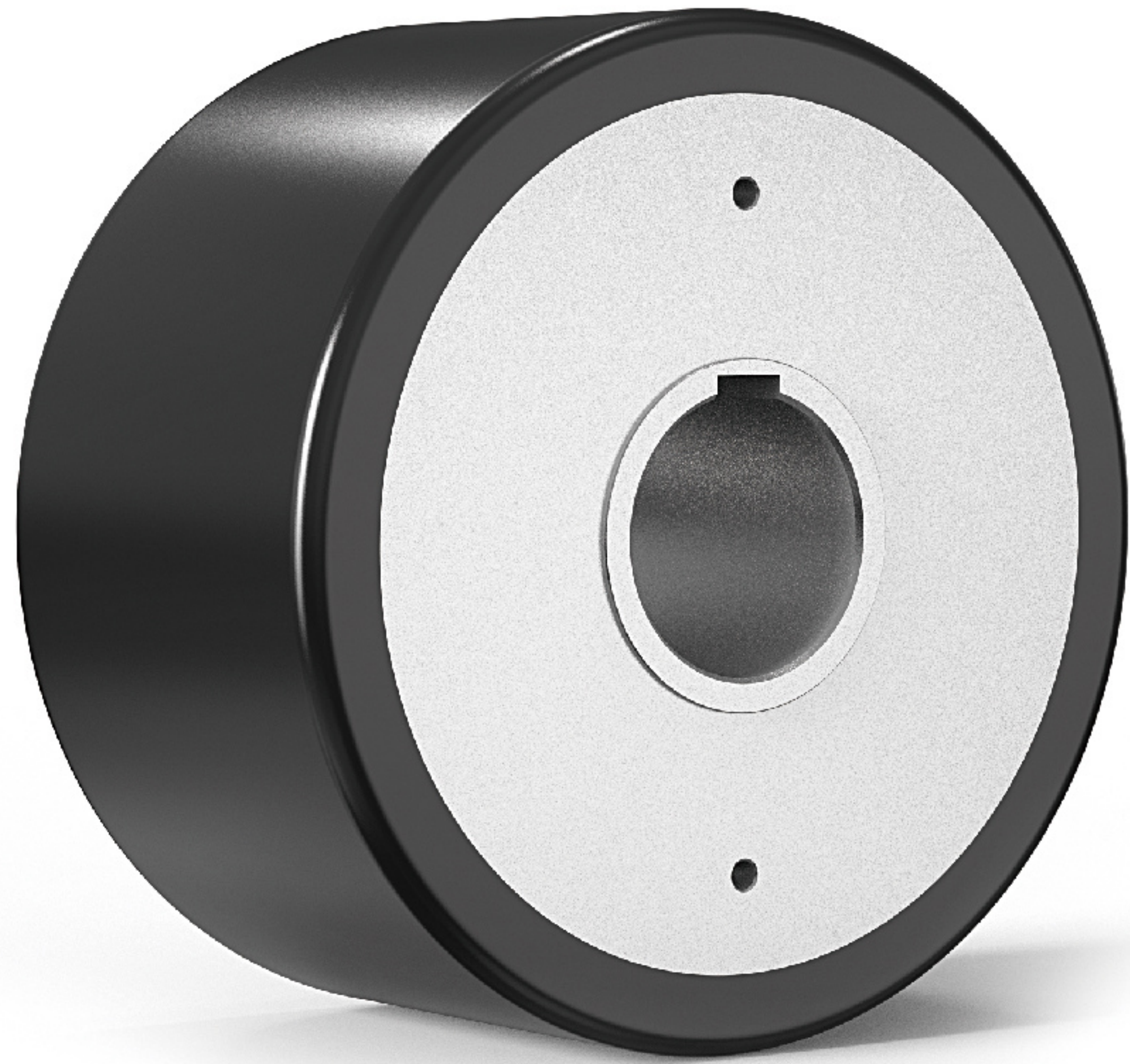
Other features: Resistant to corrosion by various corrosive substances; Operating temperature: -30°C to +70°C, short-term up to +90° C. Load capacity decreases above +40°C



Technical parameters

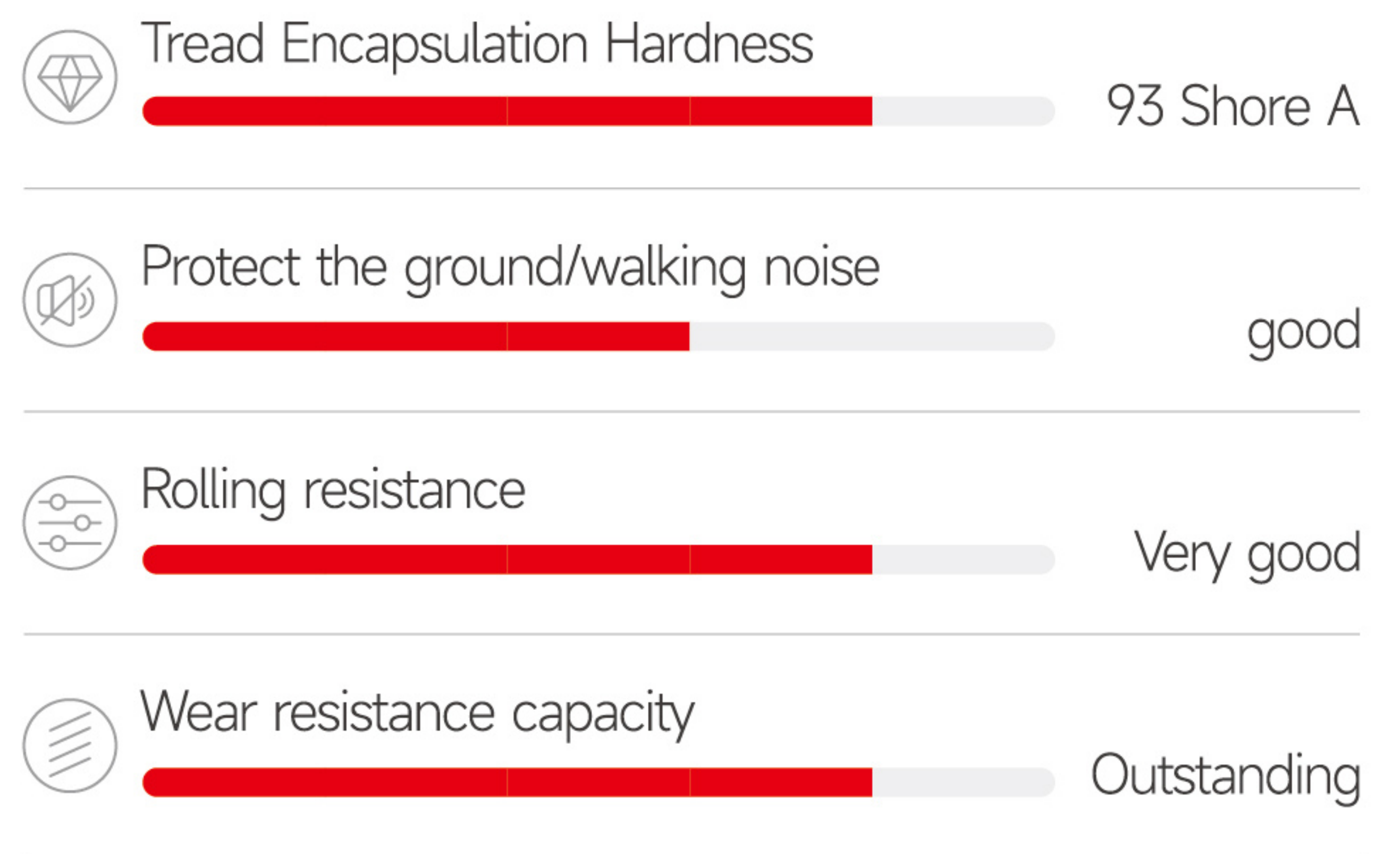
Single Wheel	Wheel Diameter (D) mm	Wheel Width (T2) mm	Load capacity at 4 km/h (kg)	Load capacity at 10 km/h (kg)	Load capacity at 16 km/h (kg)	Number of Mounting Holes	Mounting Hole Diameter (d2) mm	Center Hole Diameter (d)mm	PCD (d1)mm
GEFD 200/50	200	50	900	630	360				Customizable
GEFD 250/60	250	60	1300	910	520				Customizable
GEFD 250/80	250	80	1600	1100	640				Customizable
GEFD 300/90	300	90	2100	1450	840				Customizable
GEFD 400/100	400	100	3400	2350	1350				Customizable

其他尺寸敬请垂询



GEJA Series-Polyurethane Drive Wheel (Keyway)

Drive wheels with Eamflex polyurethane tread

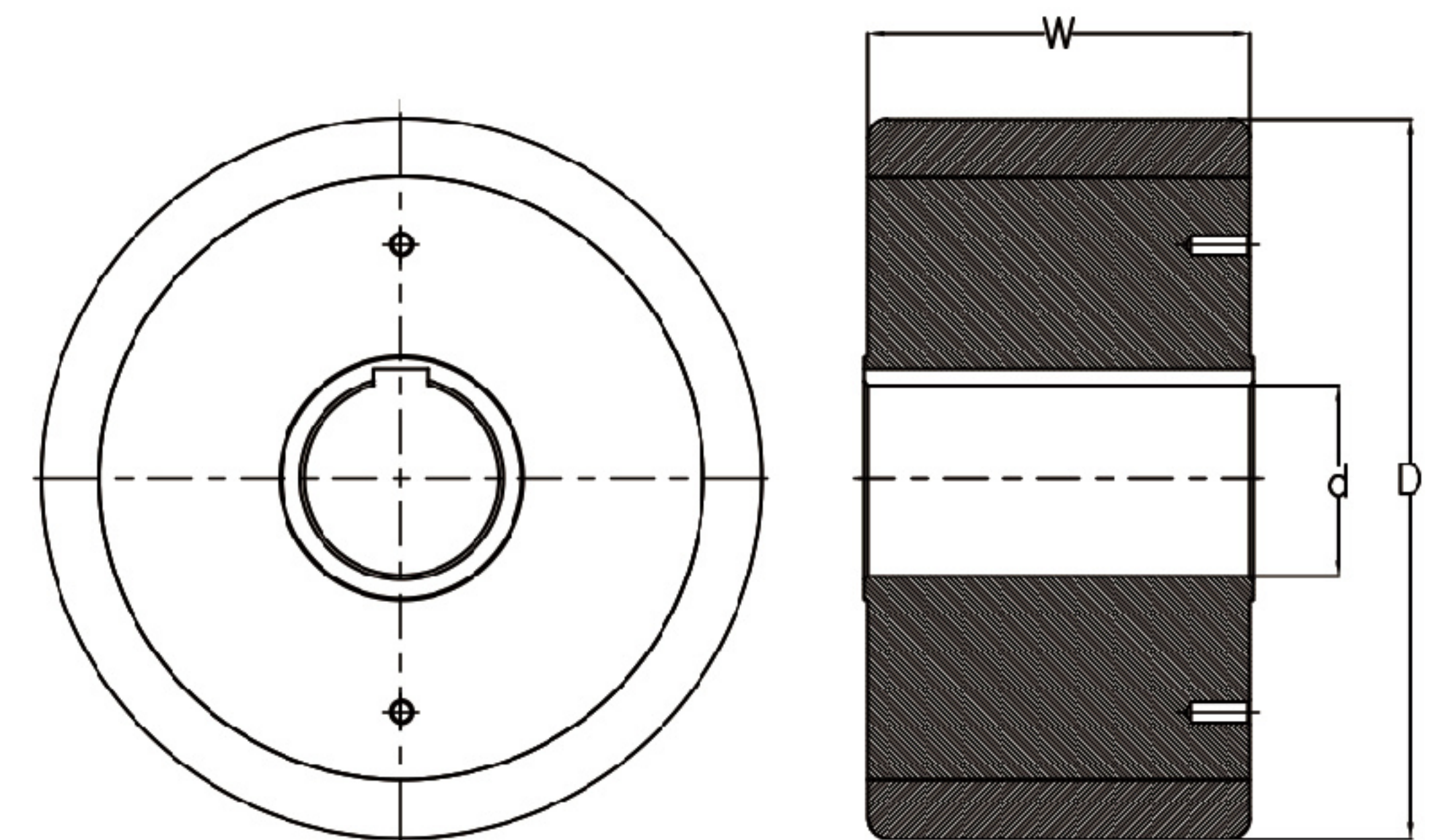


Introduction

Tread: The high-quality polyurethane elastomer cast by chemical reaction has a hardness of 93±3 Shore A, low walking noise, low rolling resistance, protects the ground, is very wear-resistant, has high cutting and tearing strength, is non-marking and non-staining, and has excellent bonding effect with the wheel core.

Wheel core: Metal materials such as 45# steel, cast iron, die-cast aluminum alloy, stainless steel, etc. can be selected according to working conditions; surface treatment can be spray painting, phosphating, galvanizing, Dacromet, etc.

Other features: Resistant to a wide range of corrosive substances; operating temperature: -30°C to +70°C, temporarily up to +90°C, load capacity reduced above +40°C



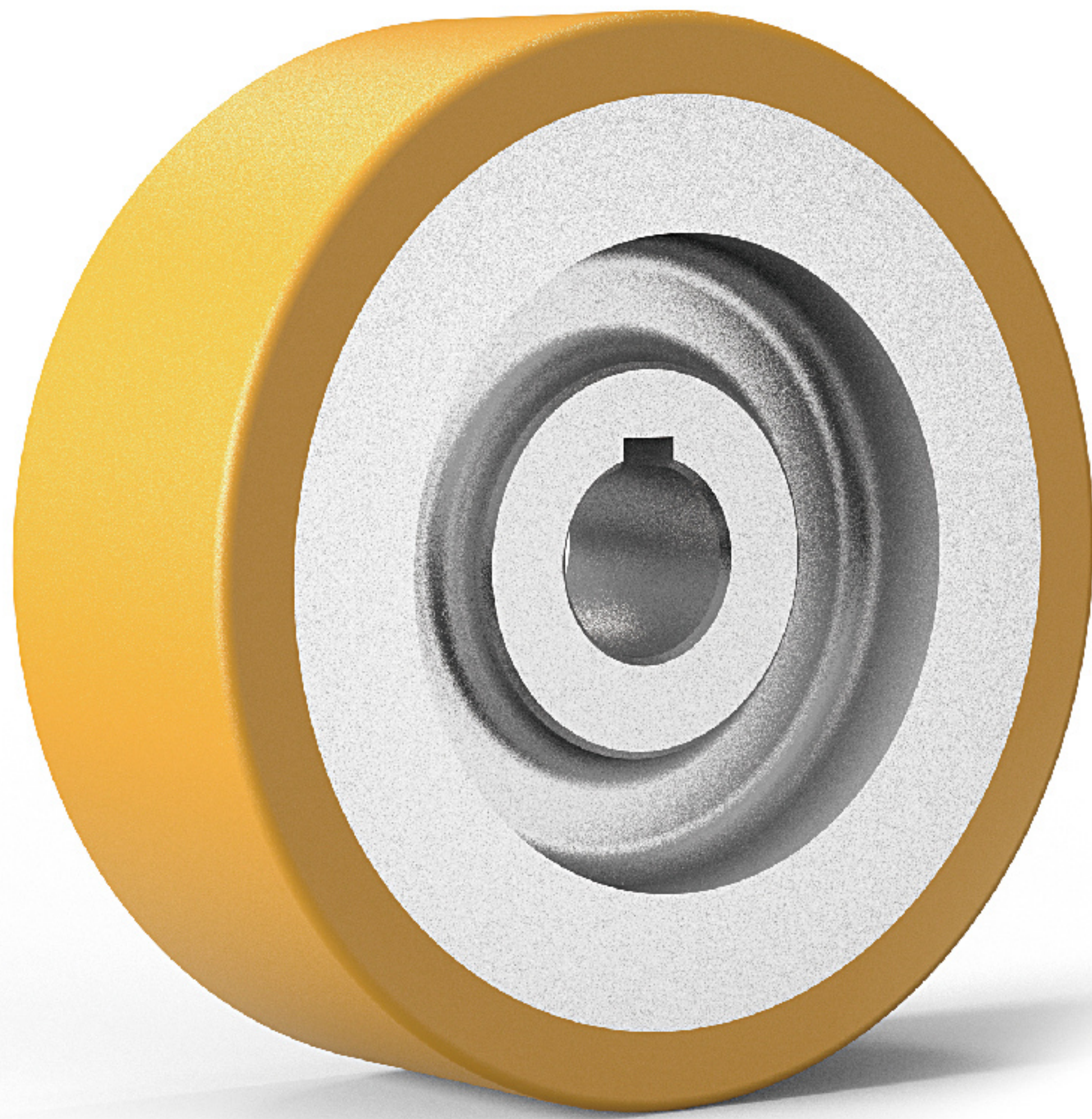
Technical parameters

Single Wheel	Wheel Diameter (D)mm	Wheel Width (W)mm	Load capacity at 4 km/h (kg)	Load capacity at 10 km/h (kg)	Shaft Hole Diameter (d)mm	Hub Keyway Width (B)mm	Hub Keyway Height (H)mm	Hub Length (T1)mm
GEJA 100/40	100	40	400	/				Customizable
GEJA 125/40	125	40	450	/				Customizable
GEJA 150/40	150	40	650	300				Customizable
GEJA 165/40	165	40	750	350				Customizable
GEJA 180/40	180	50	850	420				Customizable
GEJA 200/50	200	50	900	450				Customizable
GEJA 225/50	200	80	1400	700				Customizable
GEJA 250/70	250	80	1800	900				Customizable
GEJA 275/80	250	100	2200	1100				Customizable
GEJA 300/80	300	100	2700	1350				Customizable
GEJA 350/85	350	80	2200	1100				Customizable
GEJA 400/100	400	100	3400	1700				Customizable
GEJA 415/125	415	125	5000	2500				Customizable
GEJA 450/125	450	150	6500	3250				Customizable

Other sizes are available upon request

GEJB Series-Polyurethane Drive Wheel (Keyway)

Drive wheels with Saxflex polyurethane tread



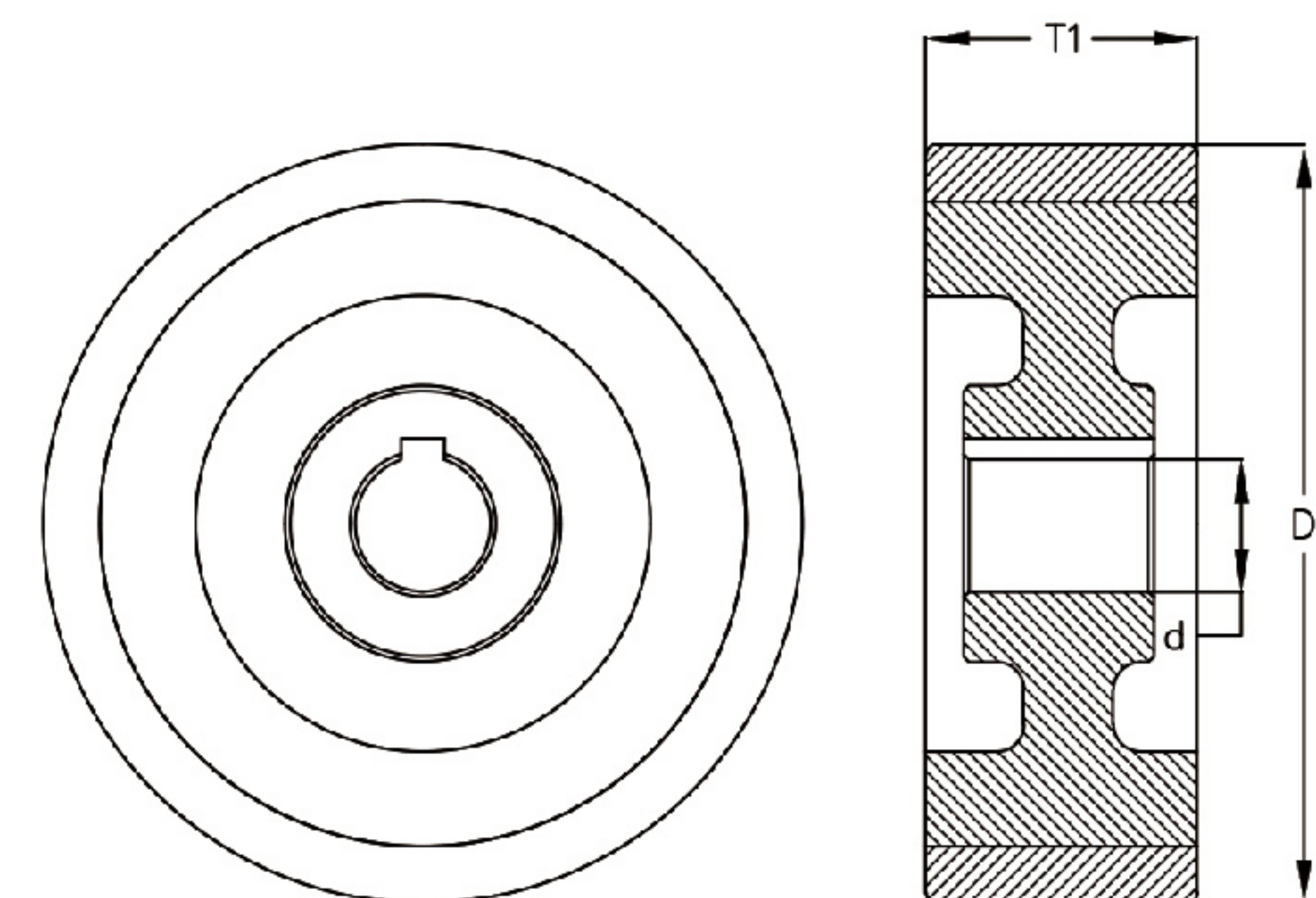
POLYURETHANE DRIVE WHEEL

Introduction

Tread: Chemically reacted, high-quality polyurethane elastomer with a hardness of 75 ± 3 Shore A provides excellent floor protection, quiet operation, low rolling resistance, high cut and tear resistance, non-marking and non-staining properties, and excellent adhesion to the wheel core.

Wheel core: Available in 45# steel, cast iron, die-cast aluminum alloy, stainless steel, and other metal materials depending on the operating conditions. Surface treatment options include painting, phosphating, galvanizing, and Dacromet.

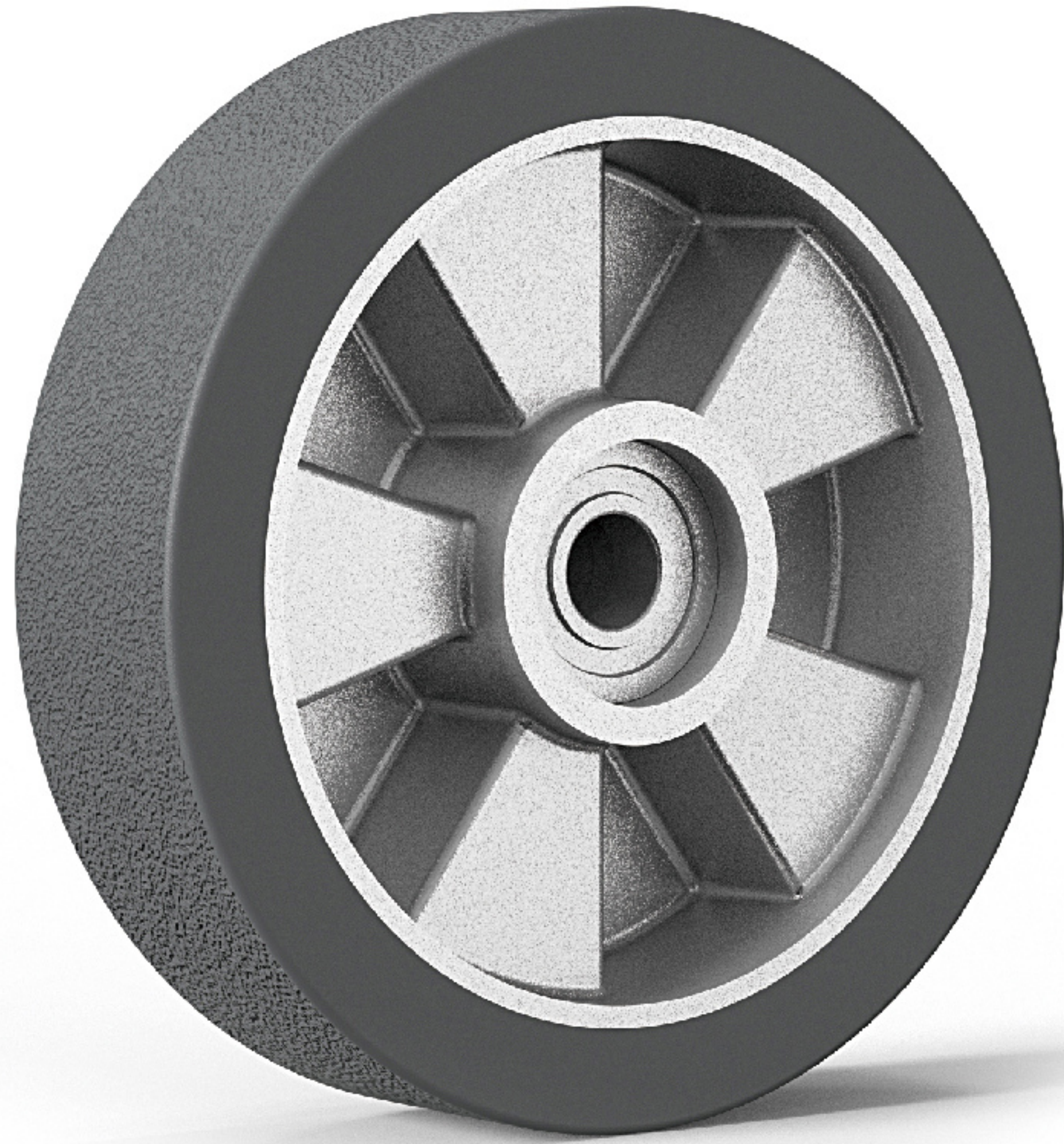
Other features: Corrosion resistant to various corrosive substances. Operating temperature: -30°C to $+70^{\circ}\text{C}$, temporarily up to $+90^{\circ}\text{C}$. Load capacity is reduced above $+40^{\circ}\text{C}$.



Technical parameters

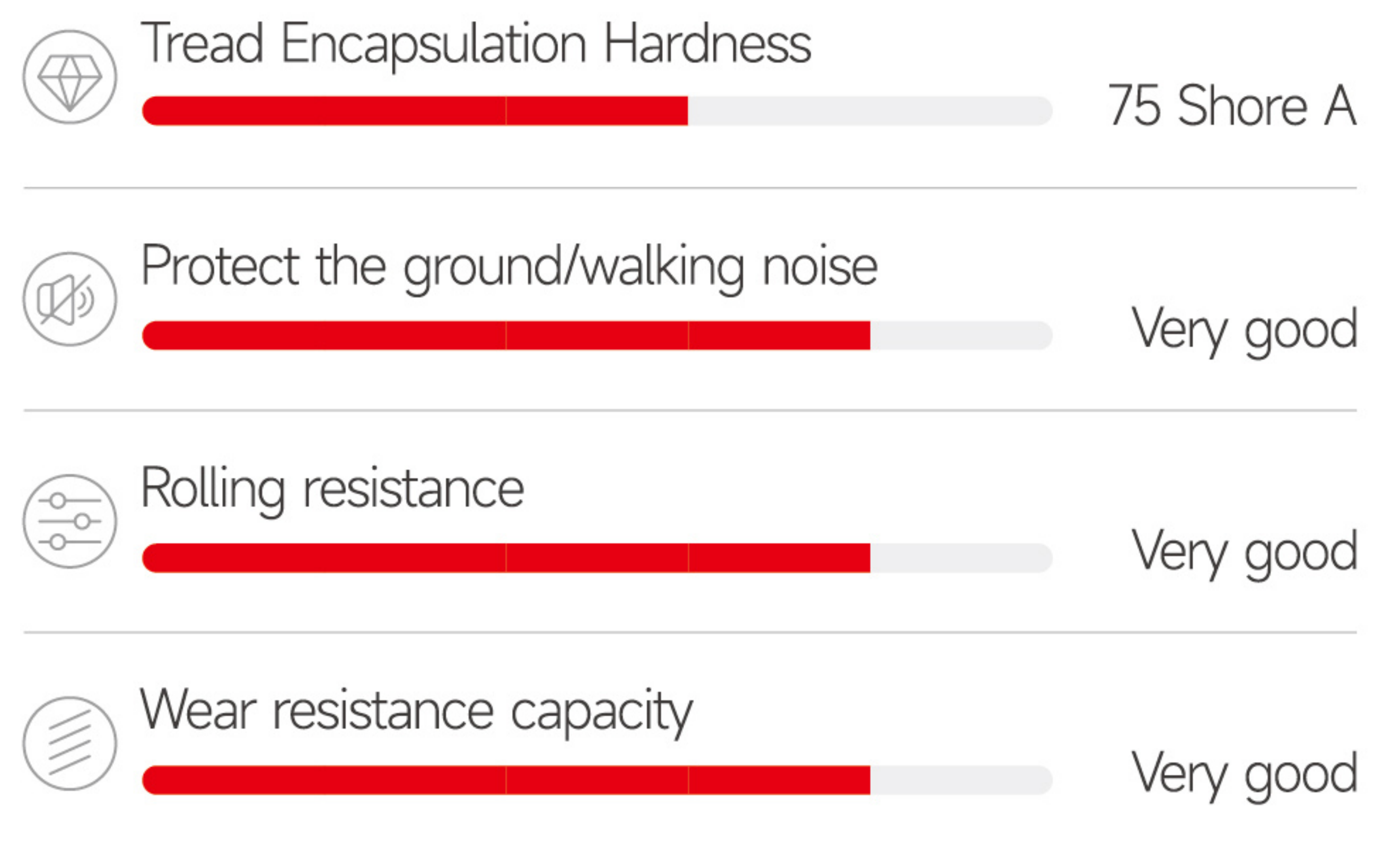
Single Wheel	Wheel Diameter (D)mm	Wheel Width (W)mm	Load capacity at 4 km/h (kg)	Load capacity at 10 km/h (kg)	Axle diameter	Hub Keyway Width	Hub Keyway Height	Hub Length
GEJB 75/40	75	40	200	/				Customizable
GEJB 100/40	100	40	250	/				Customizable
GEJB 125/50	125	50	400	160				Customizable
GEJB 150/50	150	50	500	200				Customizable
GEJB 200/50	200	50	700	280				Customizable
GEJB 300/80	300	80	1600	640				Customizable
GEJB 400/80	400	80	2100	840				Customizable

Other sizes are available upon request



GSF01 Series-Aluminum Core PU Floor Scrubber Wheels

Floor scrubber wheels with Saxflex polyurethane tread

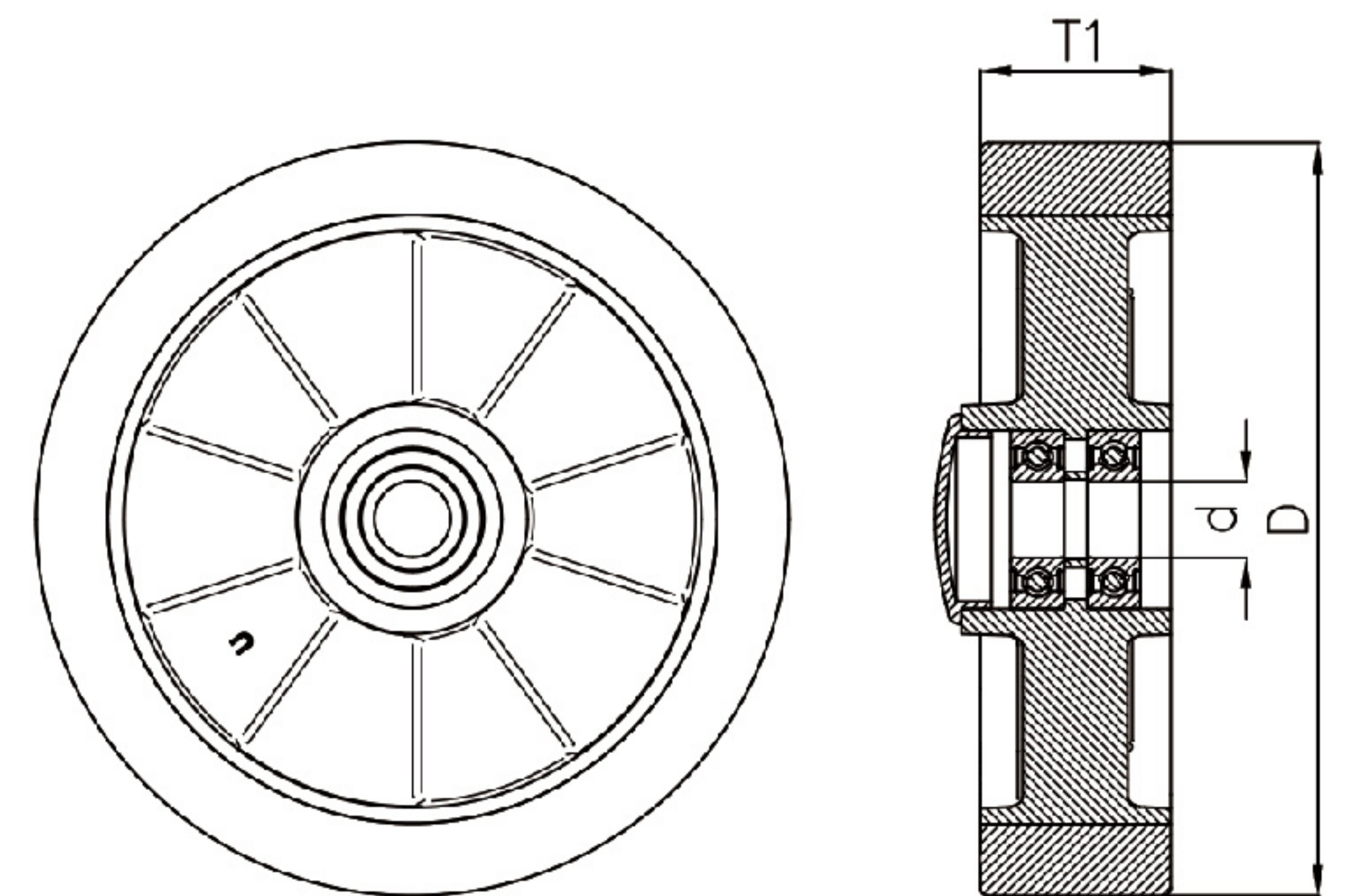


Introduction

Tread: The high-quality polyurethane elastomer cast through chemical reaction has A hardness of 78 ± 3 Shore A. It has low walking noise, high dynamic load-bearing capacity, protects the ground, is very wear-resistant and resistant to cutting. It has high tear strength, leaves no marks, has good resilience and an excellent combination effect with the wheel body.

Wheel core: Materials such as die-cast aluminum alloy and nylon can be selected according to the working conditions. The surface treatment can be selected as painting.

Other features: The temperature resistance of the rubber coating is from -25°C to $+70^{\circ}\text{C}$, with a short-term high temperature of $+90^{\circ}\text{C}$. Tread undercut treatment effectively increases friction.
Maintenance-free under normal usage condition



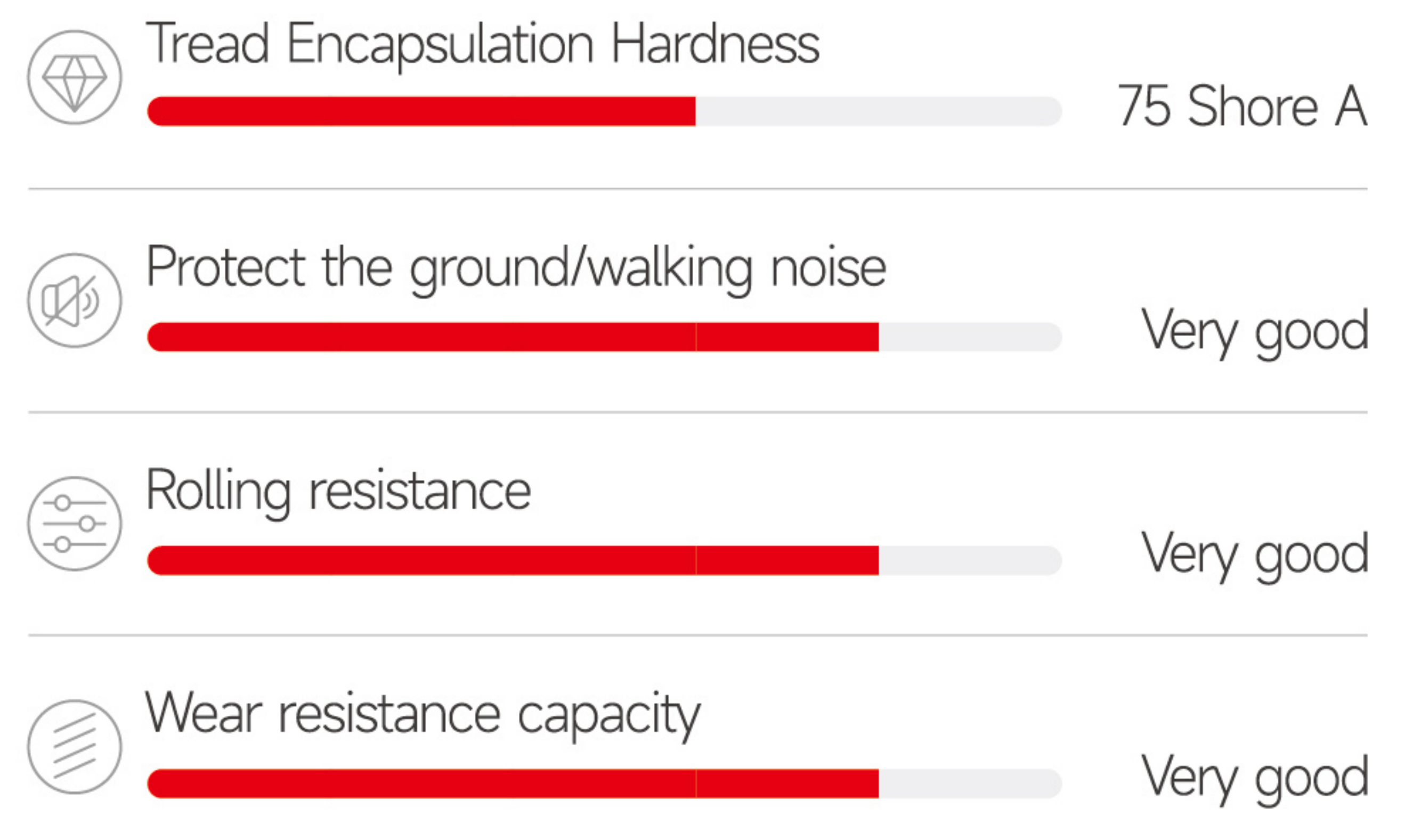
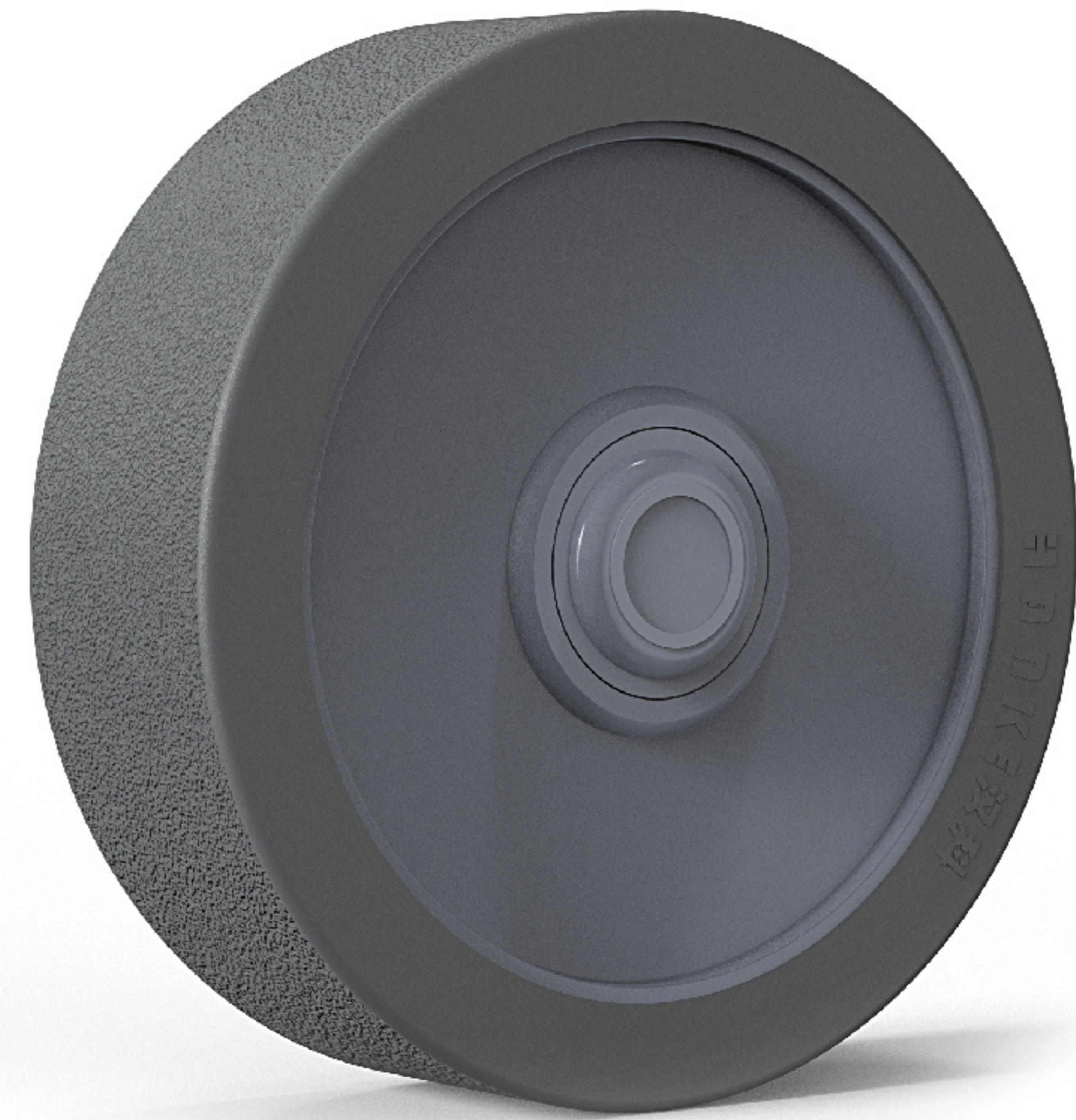
Technical parameters

Single Wheel	Wheel Diameter (D)mm	Wheel Width (T1)mm	Load (Q) kg	Bore Shaft Diameter	Bearing Selection	Bearing Type	Wheelbase Length
QSF01-6204	200	50	300	47	Ball Bearing	6204	50
QSF01-6205	200	50	300	47	Ball Bearing	6205	60

Other sizes are available upon request

GSF02 Series-Nylon Core PU Floor Scrubber Wheels

Floor scrubber wheels with Saxflex polyurethane tread



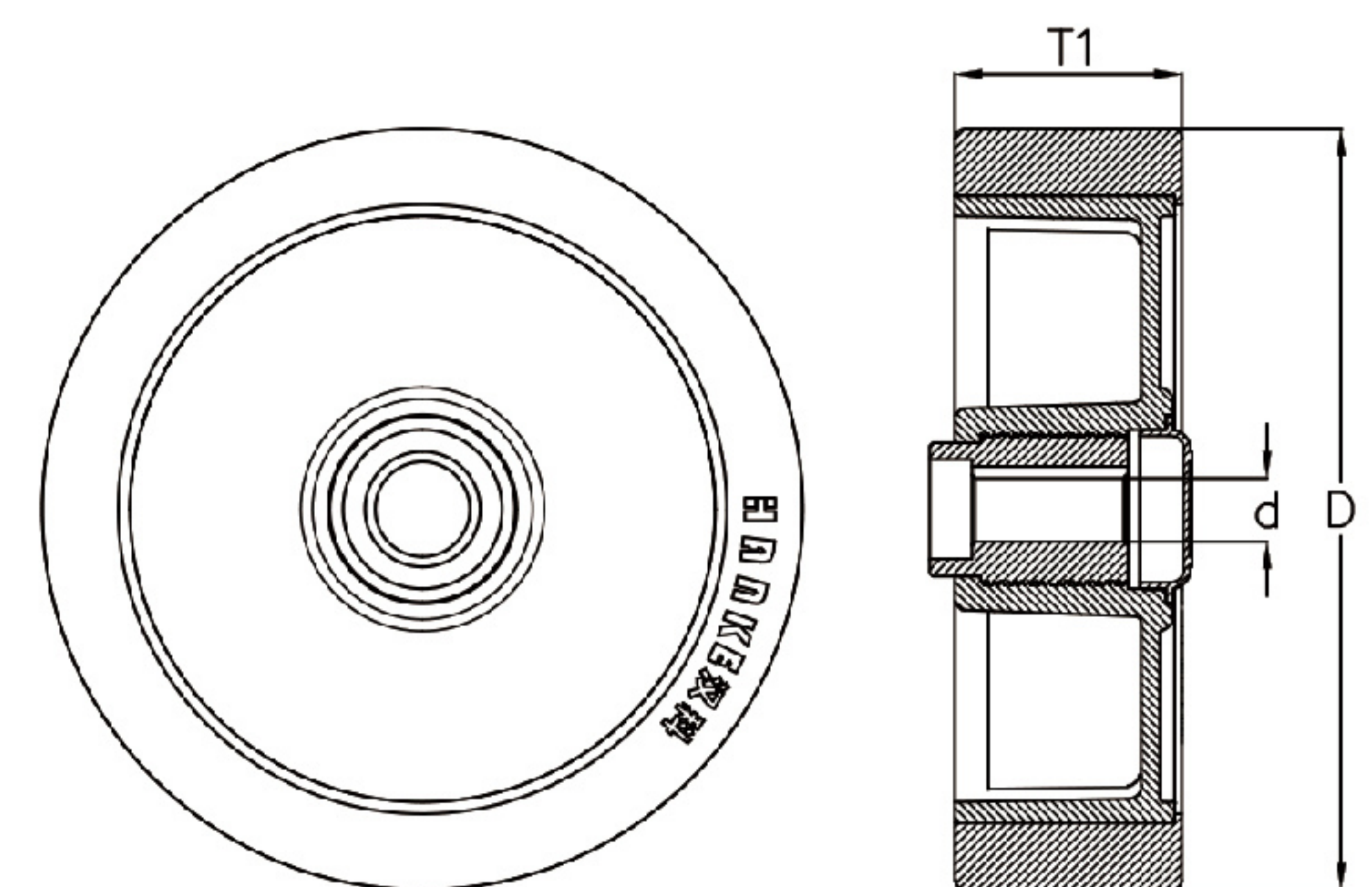
POLYURETHANE DRIVE WHEEL

Introduction

Tread: The high-quality polyurethane elastomer cast through chemical reaction has A hardness of 78 ± 3 Shore A. It has low walking noise, high dynamic load-bearing capacity, protects the ground, is very wear-resistant and resistant to cutting. It has high tear strength, leaves no marks, has good resilience, and has an excellent combination effect with the wheel body

Wheel core: Materials such as die-cast aluminum alloy and nylon can be selected according to the working conditions. The surface treatment can be selected as painting.

Other features: The temperature resistance of the rubber coating is from -25°C to $+70^{\circ}\text{C}$, with a short-term high temperature of $+90^{\circ}\text{C}$. Tread undercut treatment effectively increases friction.
Maintenance-free under normal usage conditions



Technical parameters

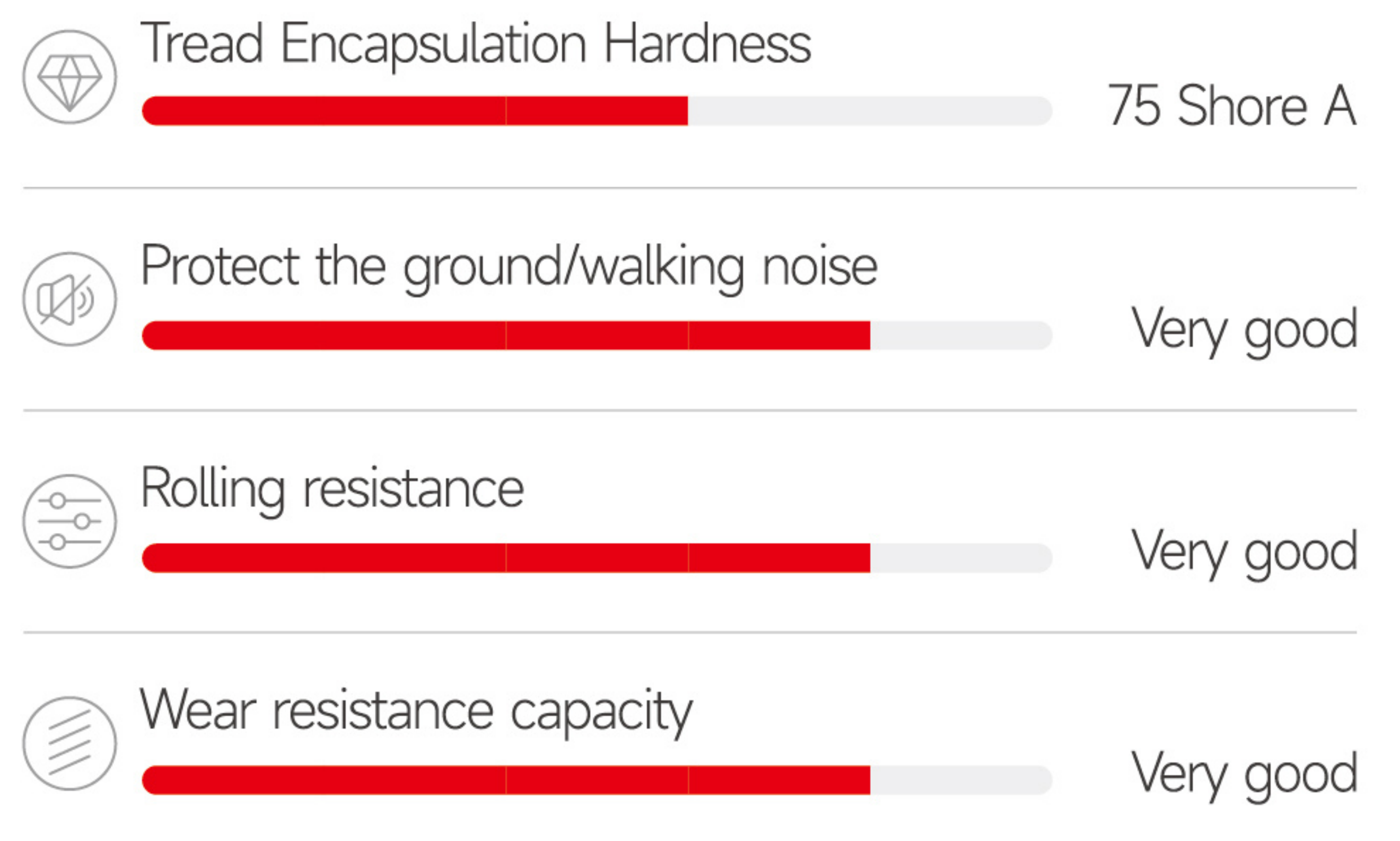
Single Wheel	Wheel Diameter (D)mm	Wheel Width (T1)mm	Load (Q) kg	Bore Shaft Diameter	Hub Groove Width	Hub Groove Height	Wheelbase Length
GSF02-225/19	225	65	300	19	6	21.8	38.5
GSF02-225/20	225	65	300	20	6	22.8	43.5

Other sizes are available upon request



GSFB Series-Flanged Polyurethane Drive Wheel

Drive wheels with Saxflex polyurethane tread

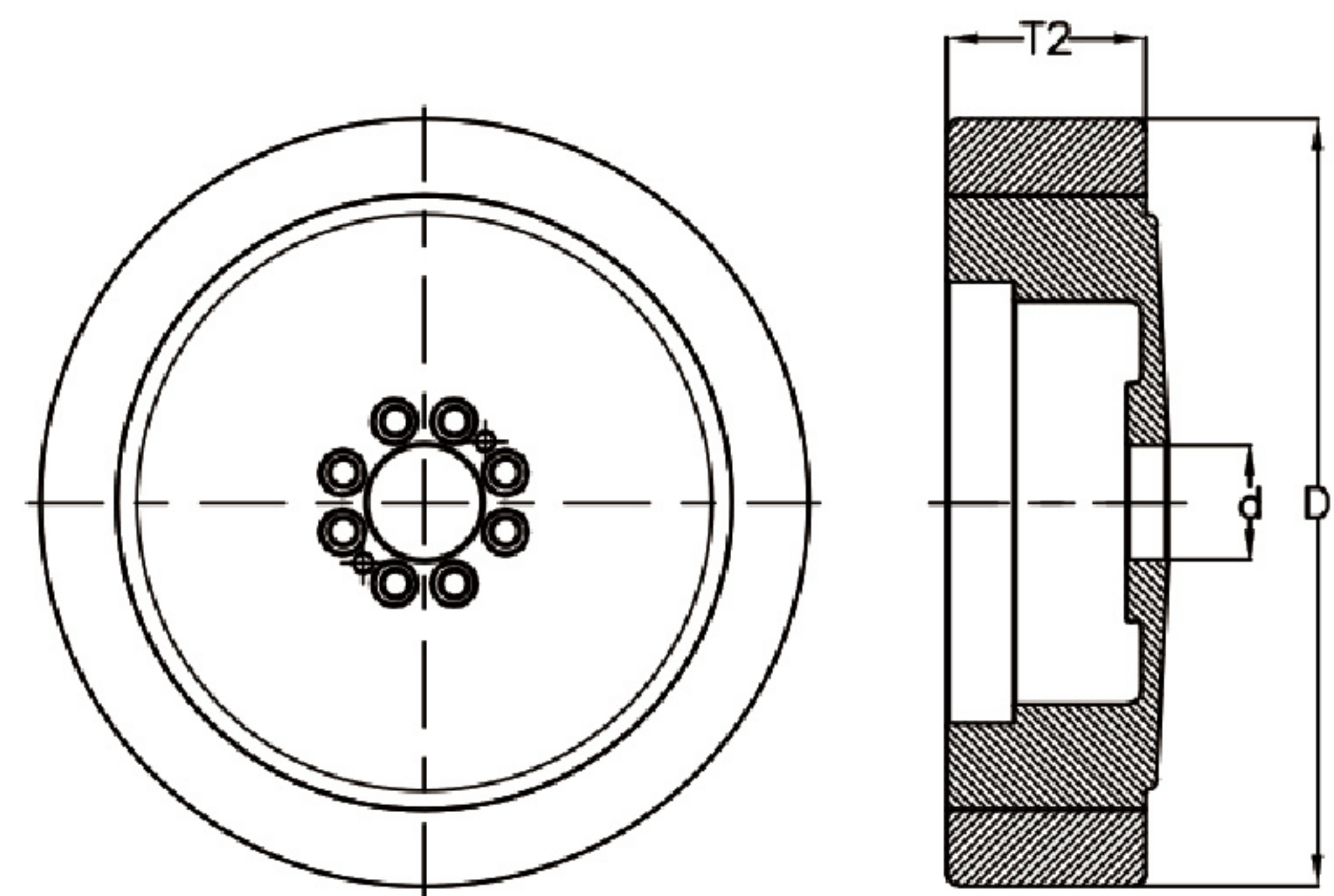


Introduction

Tread: The high-quality polyurethane elastomer cast by chemical reaction has a hardness of 75±3 Shore A, very good floor protection, low noise operation, low rolling resistance, high resistance to cutting and tearing, no marking, no staining, and excellent bonding effect with the wheel core.

Wheel core: Metal materials such as 45# steel, cast iron, die-cast aluminum alloy, stainless steel, etc. can be selected according to working conditions; surface treatment can be spray painting, phosphating, galvanizing, Dacromet, etc.

Other features: Resistant to a wide range of corrosive substances; operating temperature: -30°C to +70°C, temporarily up to +90°C, load capacity reduced above +40°C



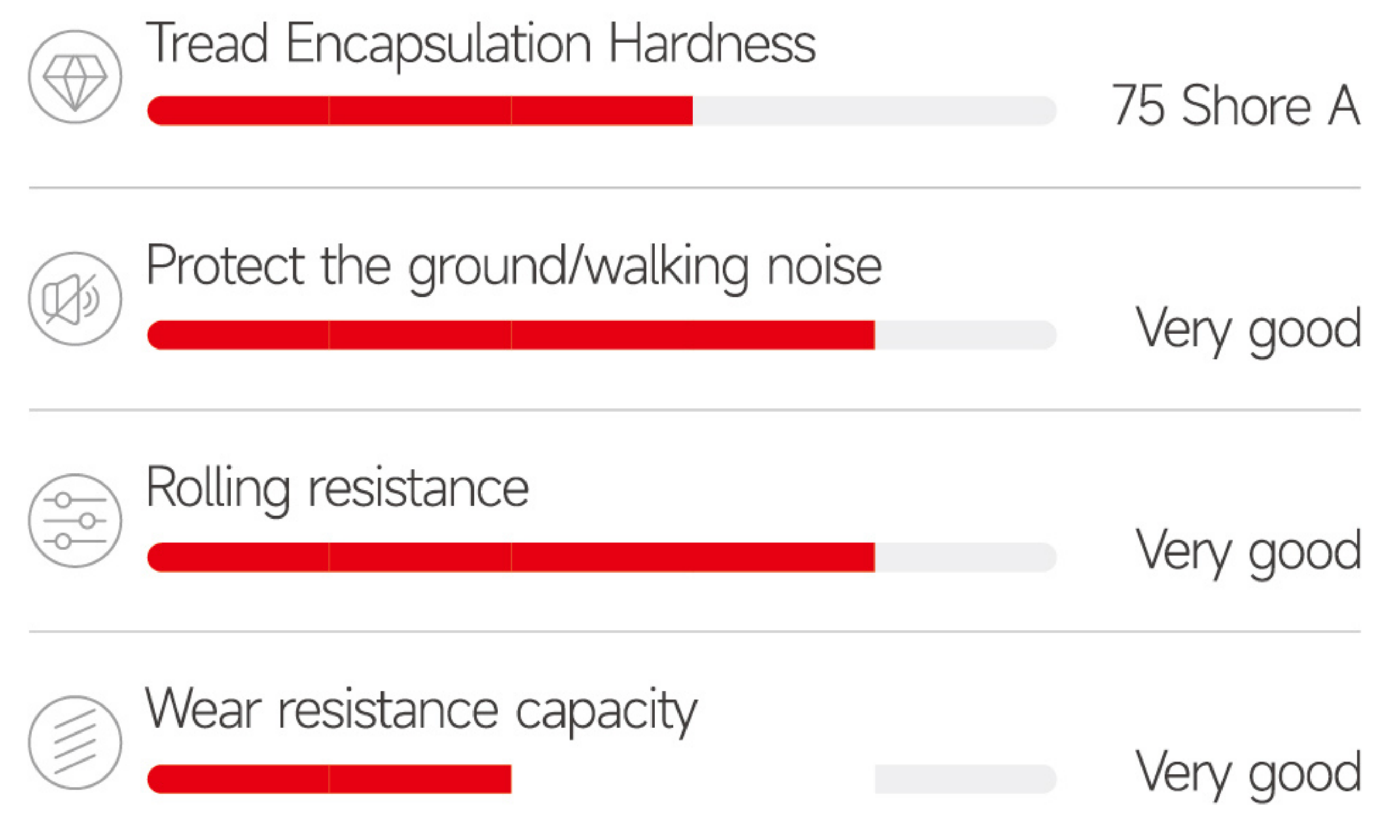
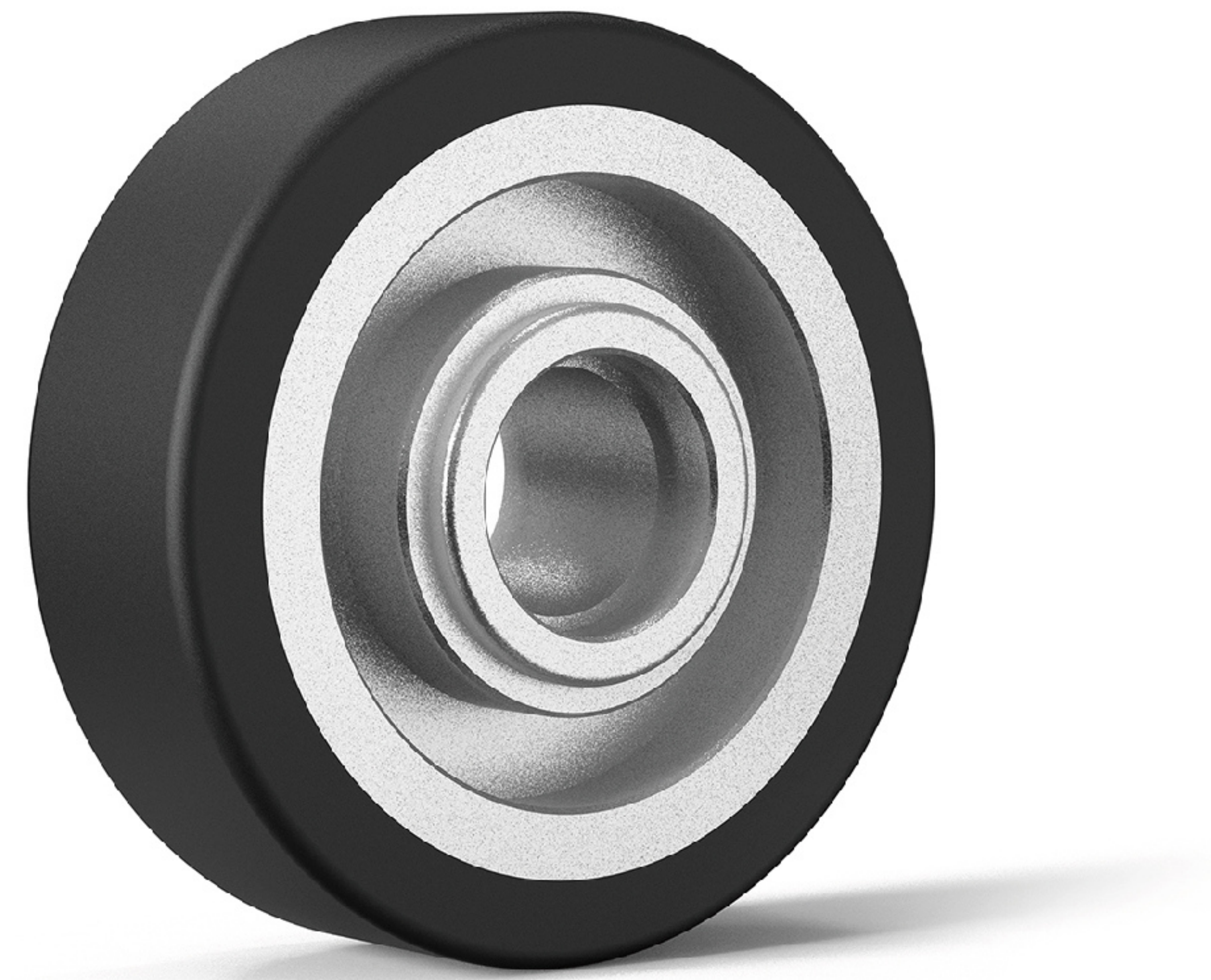
Technical parameters

Single Wheel	Wheel Diameter (D)mm	Wheel Width (T2)mm	Load capacity at 4 km/h (kg)	Load capacity at 10 km/h (kg)	Number Of Mounting Holes	Mounting Hole Diameter	Center Hole Diameter (d)mm	PCD (mm)
GSFB 100/40	100	40	300	/				Customizable
GSFB 125/40	125	40	350	/				Customizable
GSFB 150/50	150	50	450	180				Customizable
GSFB 180/50	180	50	650	240				Customizable
GSFB 200/50	200	50	700	300				Customizable
GSFB 250/50	250	50	850	320				Customizable
GSFB 300/60	300	60	1100	450				Customizable

Other sizes are available upon request

VSA Series-Polyurethane Idler Wheel

Idler wheels with Saxflex polyurethane tread



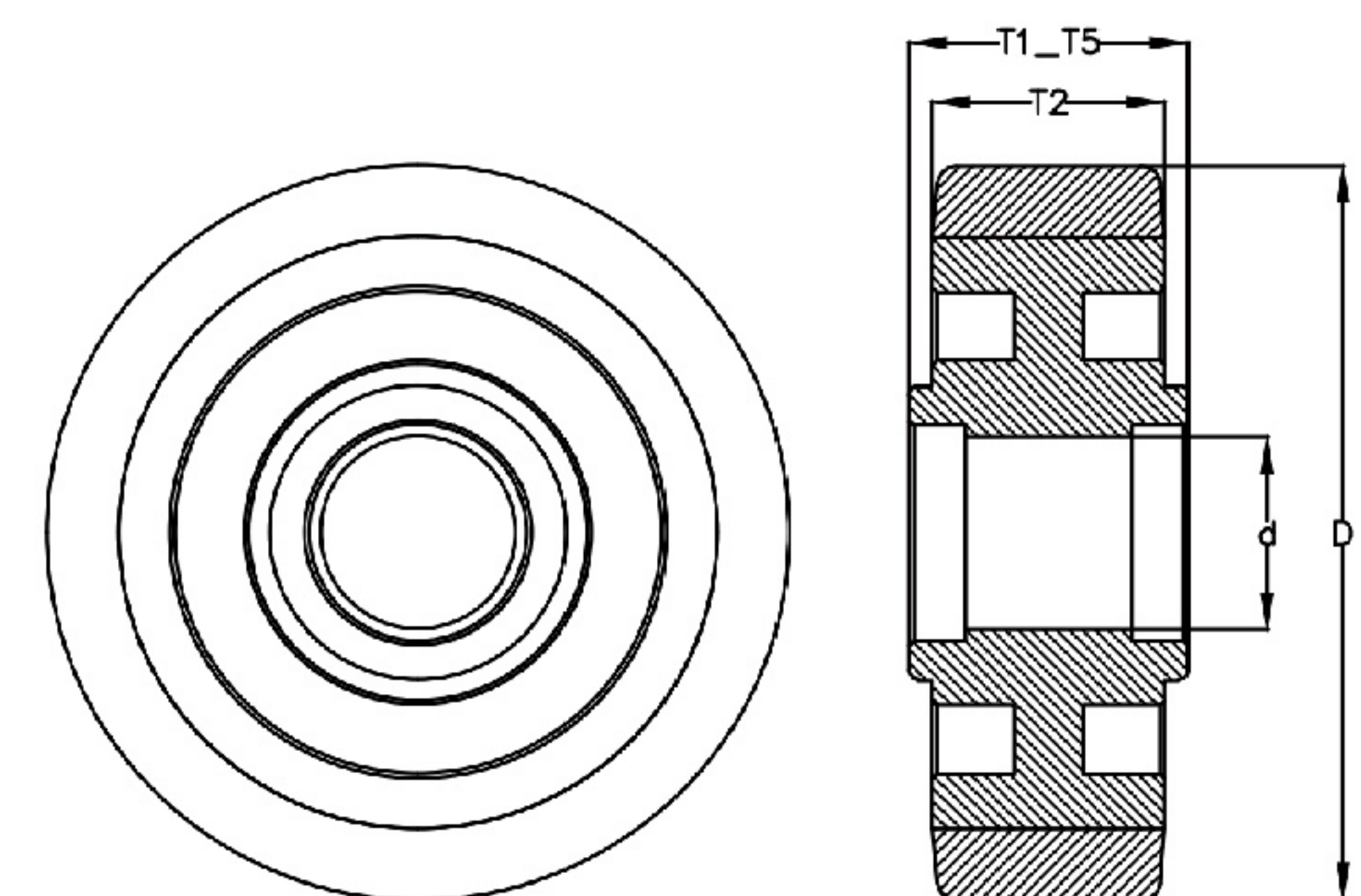
POLYURETHANE IDLER WHEEL

Introduction

Tread: The high-quality polyurethane elastomer cast through chemical reaction has A hardness of 75±3 Shore A. It provides excellent floor protection, operates with low noise, has low rolling resistance, high resistance to cutting and tearing, leaves no marks, does not stain, and has an excellent bonding effect with the wheel core.

Wheel core: The bearing brand can be specified, with C&U as the default

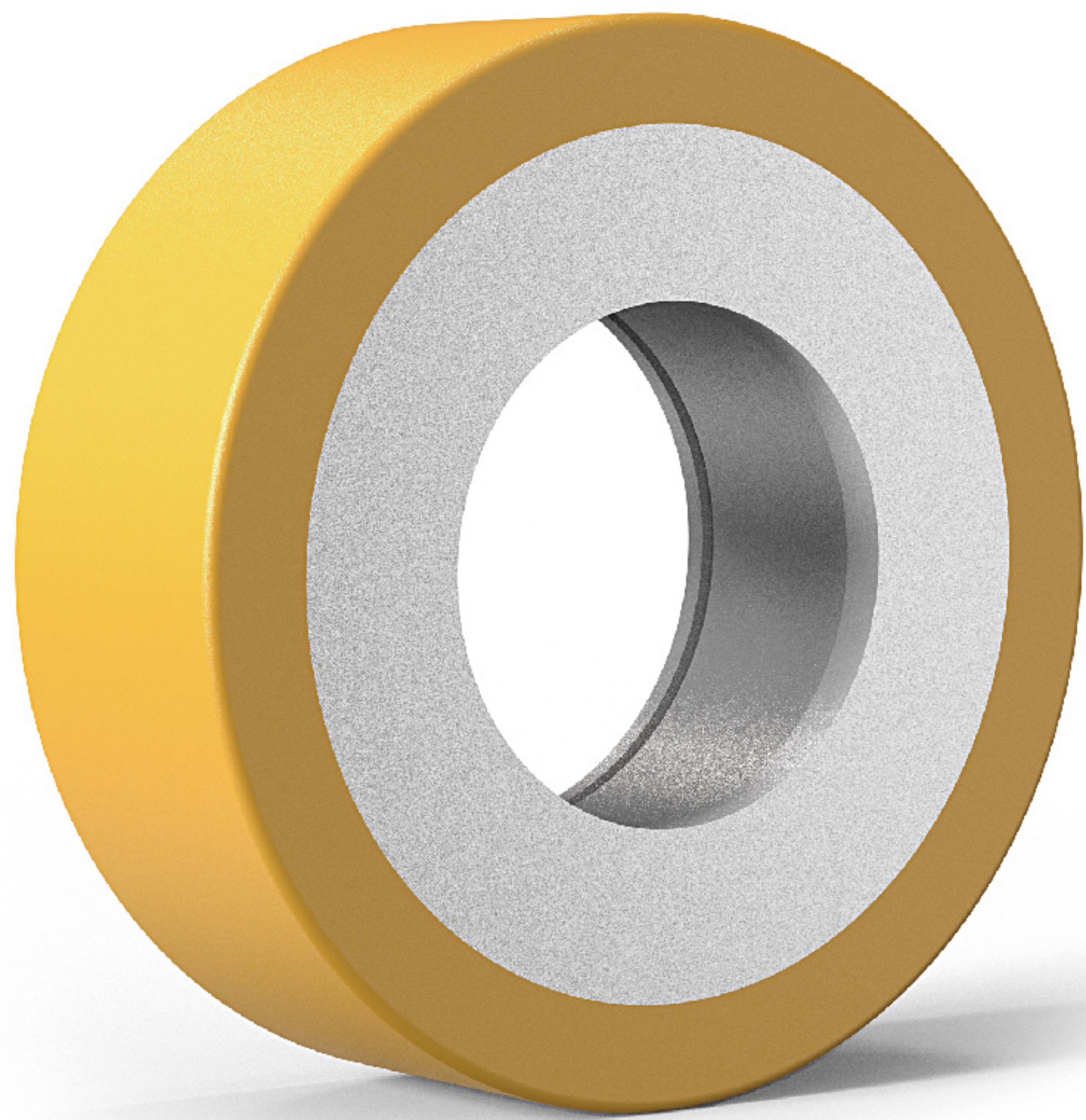
Other features: Resistant to corrosion by various corrosive substances; Operating temperature: -30°C to +70°C, short-term up to +90° C. Load capacity decreases above +40°C



Technical parameters

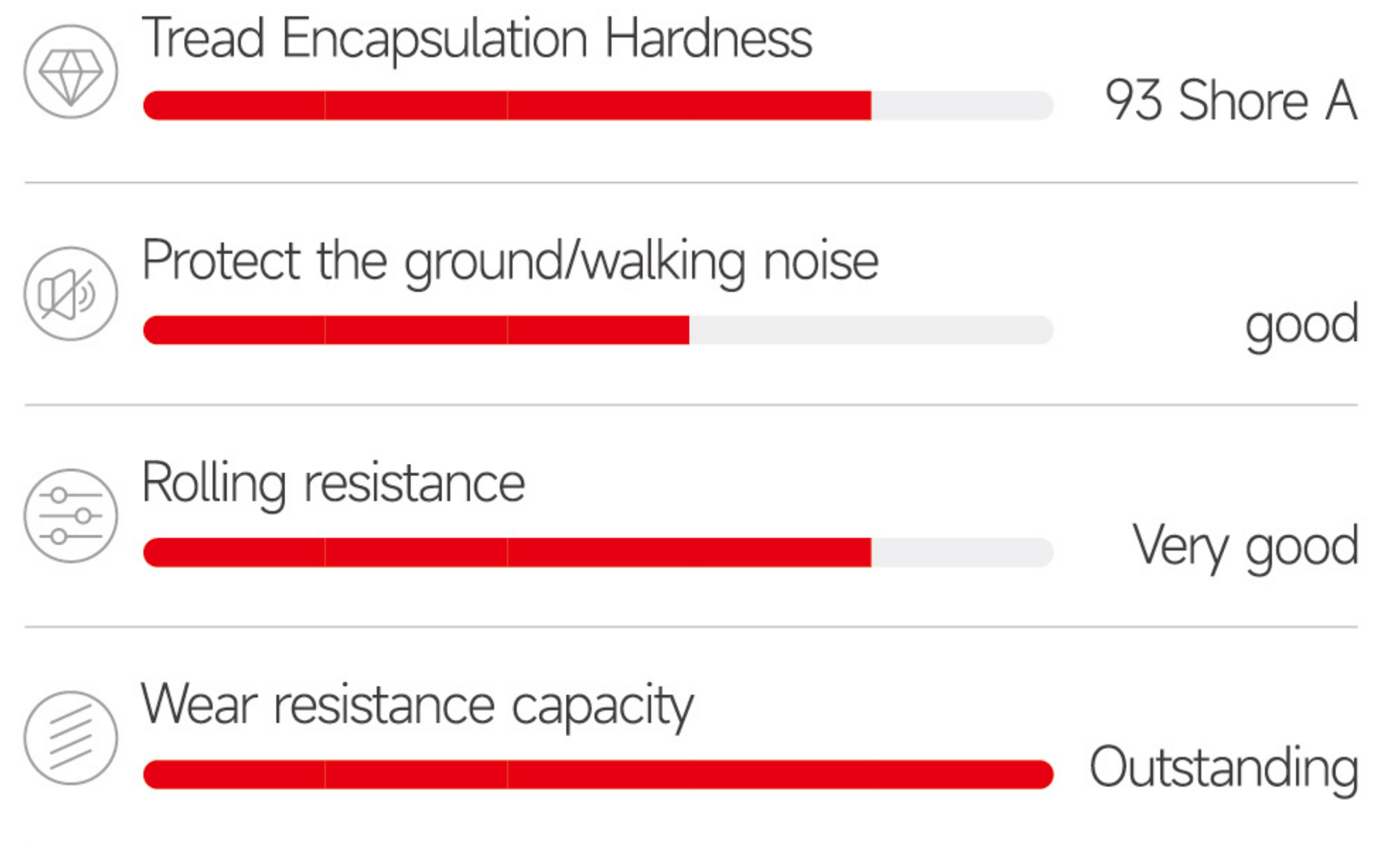
Single Wheel	Wheel Diameter (D)mm	Wheel Width (T2)mm	Load capacity at 4 km/h (kg)	Load capacity at 10 km/h (kg)	Bearing Type	Axle Diameter	Hub Length (T1)mm
VSA 200*50	200	50	800	320			Customizable
VSA 200*80	200	80	1200	480			Customizable
VSA 250*60	250	60	1200	480			Customizable
VSA 250*80	250	80	1400	560			Customizable
VSA 300*80	300	80	1800	680			Customizable
VSA 300*100	300	100	2250	840			Customizable
VSA 400*100	400	100	3000	1100			Customizable

Other sizes are available upon request



VEC Series-Polyurethane Idler Wheel

Idler Wheels with Eamflex Polyurethane Tread

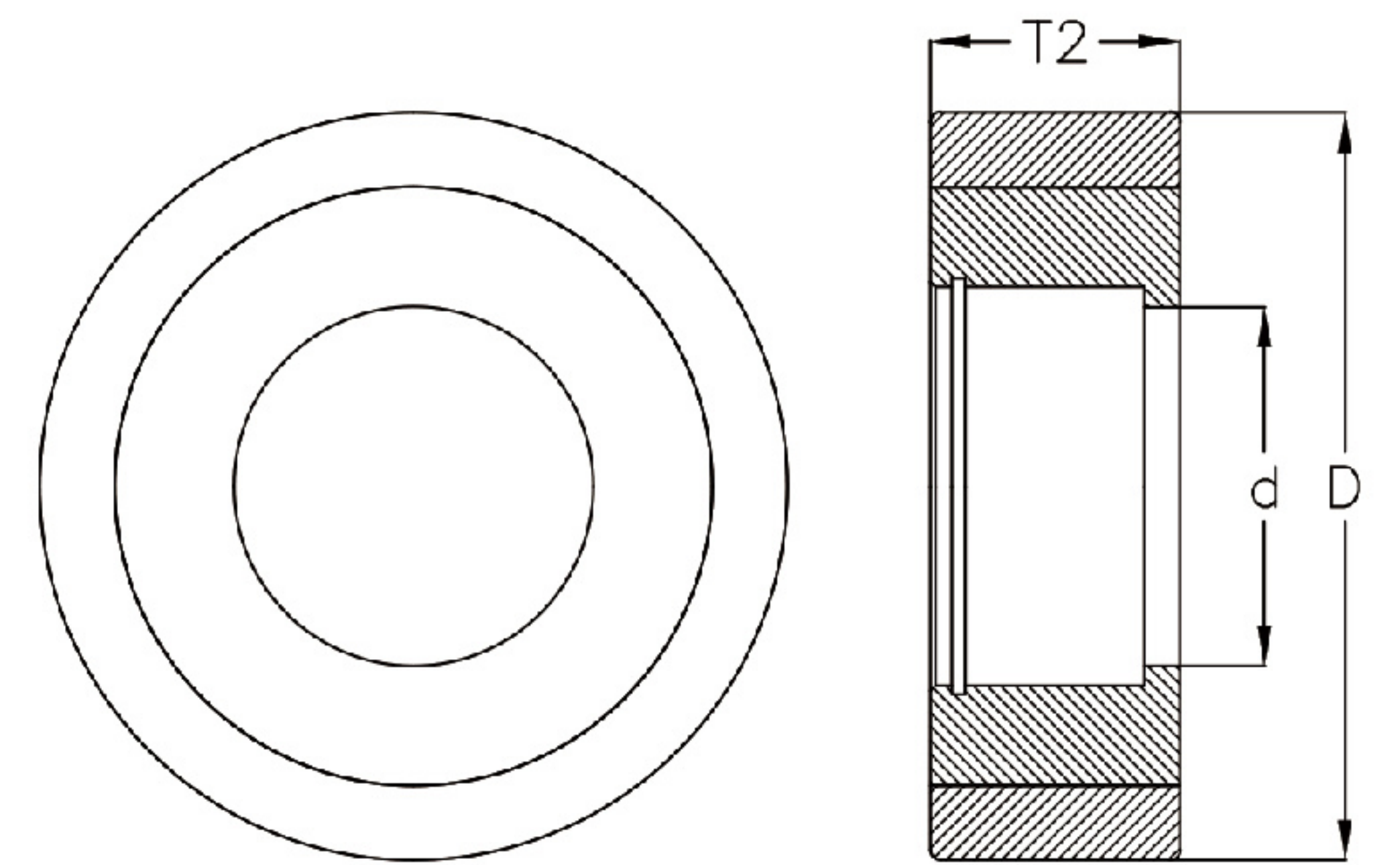


Introduction

Tread: Chemically reacted, high-quality polyurethane elastomer with a hardness of 93±3 Shore A offers low running noise, low rolling resistance, excellent ground protection, exceptional wear resistance, high cut and tear resistance, non-marking and non-staining properties, and excellent adhesion to the wheel core.

Wheel core: Available in 45# steel, cast iron, die-cast aluminum alloy, stainless steel, and other metal materials depending on the operating conditions. Surface treatment options include painting, phosphating, galvanizing, and Dacromet.

Other features: Corrosion resistant to various corrosive substances. Operating temperature: -30°C to +70°C, temporarily up to +90°C. Load capacity is reduced above +40°C.



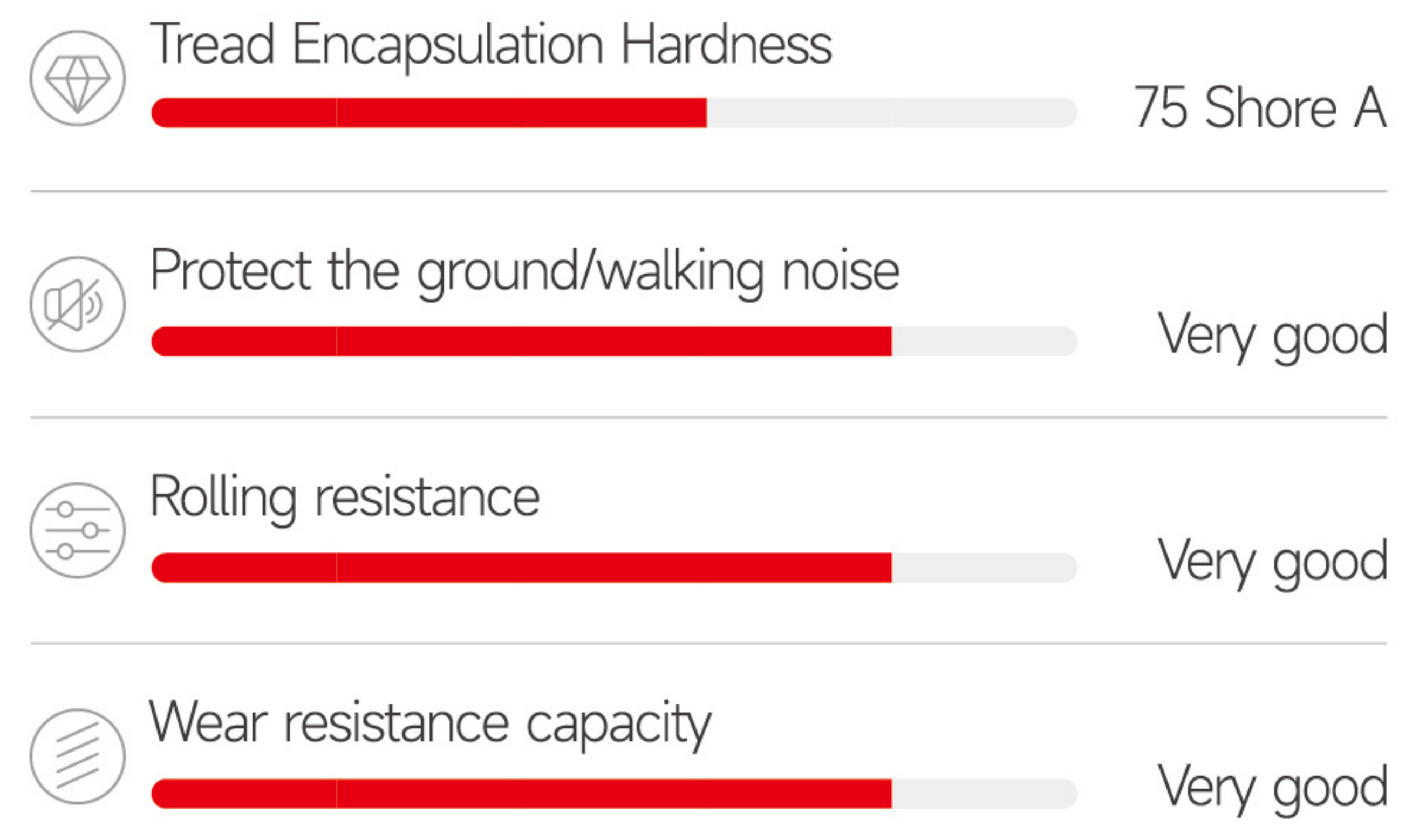
Technical parameters

Single Wheel	Wheel Diameter (D)mm	Wheel Width (T2)mm	Load capacity at 4 km/h (kg)	Load capacity at 10 km/h (kg)	Number of mounting holes	Mounting hole diameter	Center hole diameter
VEC 250*50	250	50	1100	550		Customizable	
VEC 250*80	250	80	1800	900		Customizable	
VEC 300*80	300	80	2100	1050		Customizable	
VEC 300*100	300	100	2700	1350		Customizable	
VEC 360*75	360	75	2200	1100		Customizable	
VEC 400*80	400	80	2800	1400		Customizable	
VEC 400*100	400	100	3400	1700		Customizable	
VEC 500*100	500	100	4500	2250		Customizable	
VEC 500*200	500	200	9000	4500		Customizable	
VEC 600*150	600	150	8000	4000		Customizable	
VEC 600*200	600	200	10000	5000		Customizable	
VEC 750*200	750	200	12500	6250		Customizable	

Other sizes are available upon request

VSB Series - Polyurethane Idler Wheel

Drive wheels with Saxflex polyurethane tread



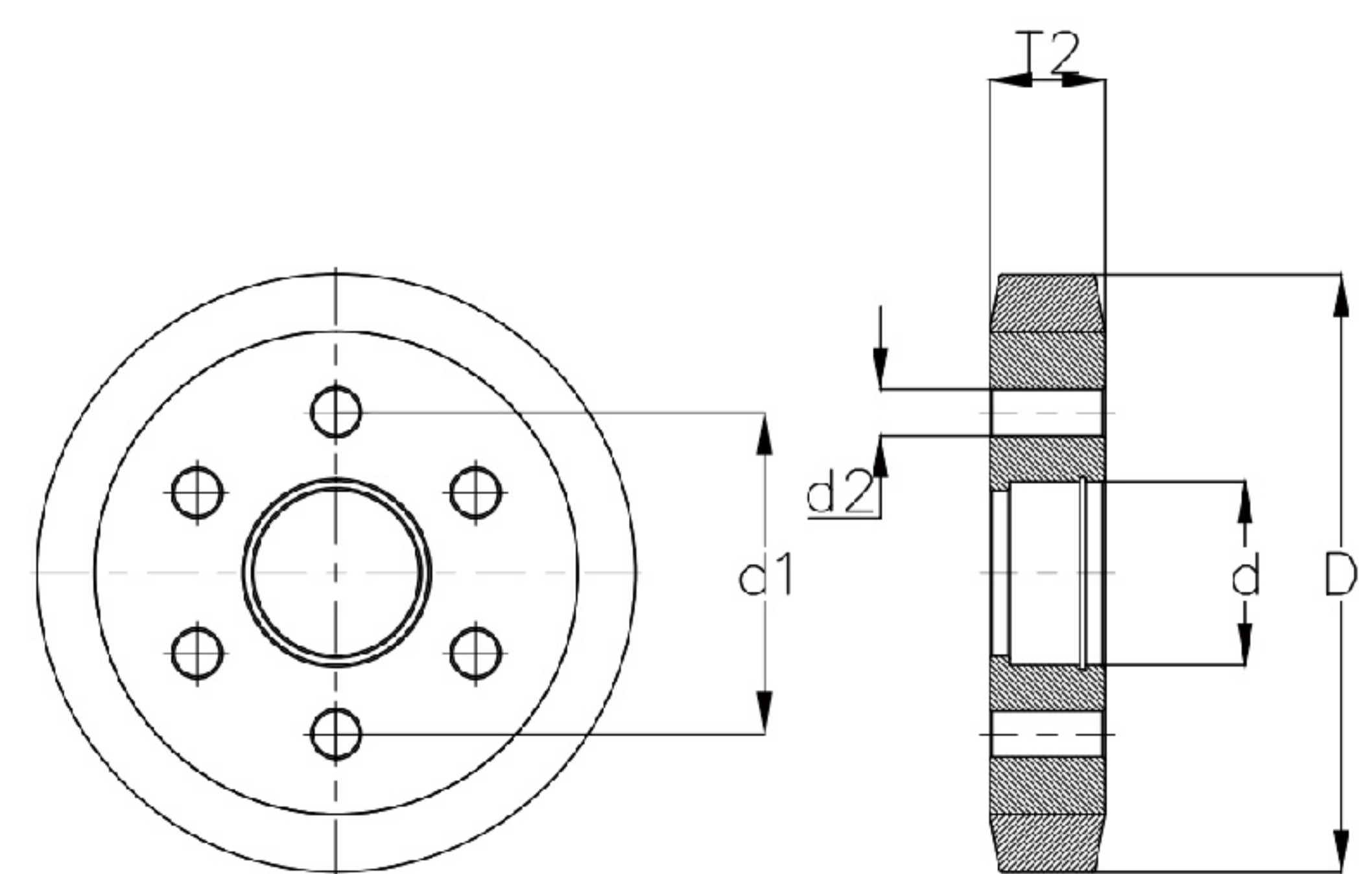
POLYURETHANE IDLER WHEEL

Introduction

Tread: High-quality polyurethane elastomer cast by chemical reaction, hardness of 75±3 Shore A, very good floor protection, low noise operation, low rolling resistance, high resistance to cutting and tearing, no marks, no staining, excellent bonding effect with wheel core.

Wheel core: 45# steel, cast iron, die-cast aluminum alloy, stainless steel and other metal materials can be selected according to working conditions; surface treatment can be selected from spray painting, phosphating, galvanizing, Dacromet, etc.

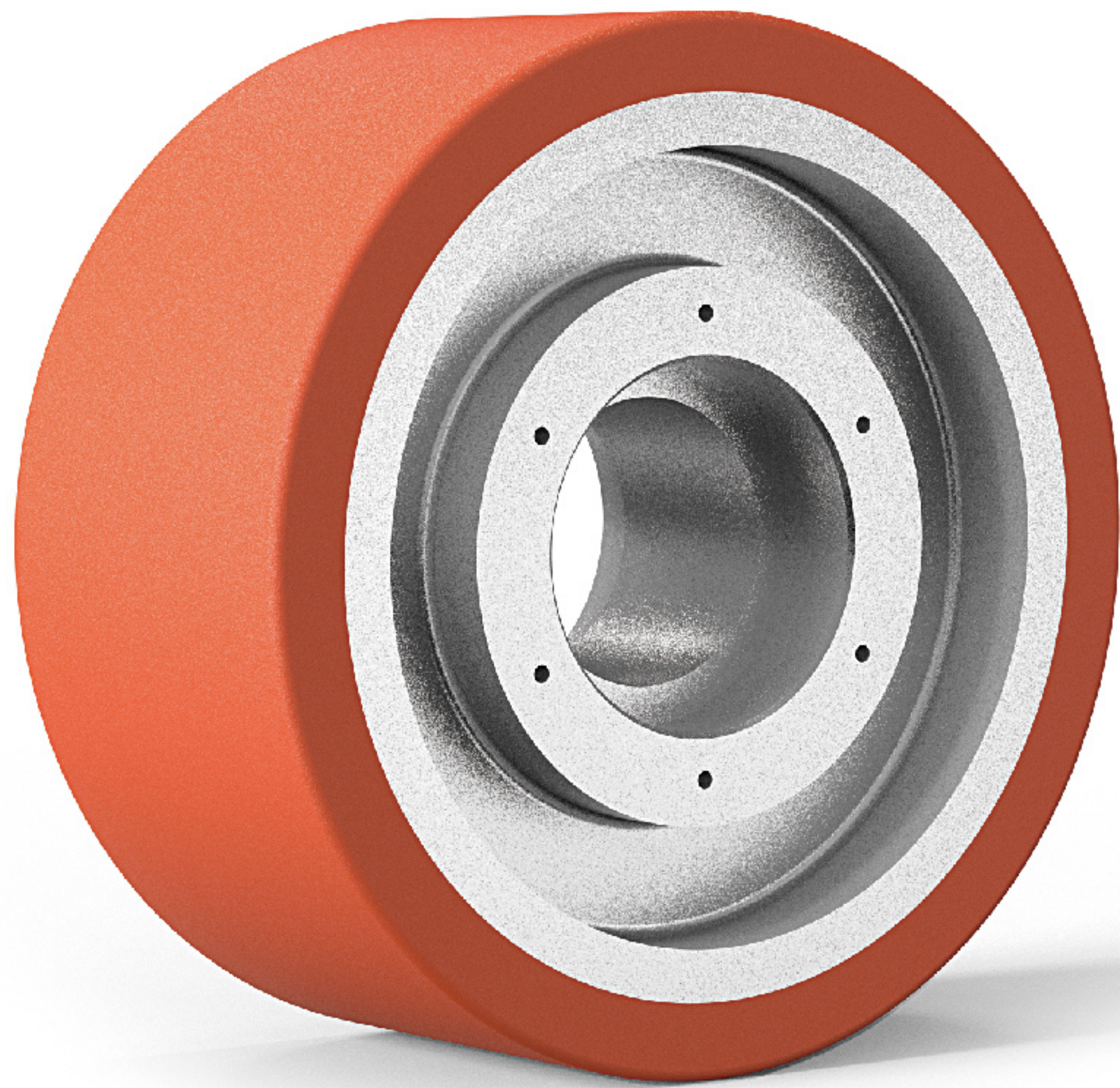
Other features: corrosion resistance to various corrosive substances; working temperature: -30°C to +70°C, short-term up to +90°C, load capacity reduced above +40°C



Technical parameters

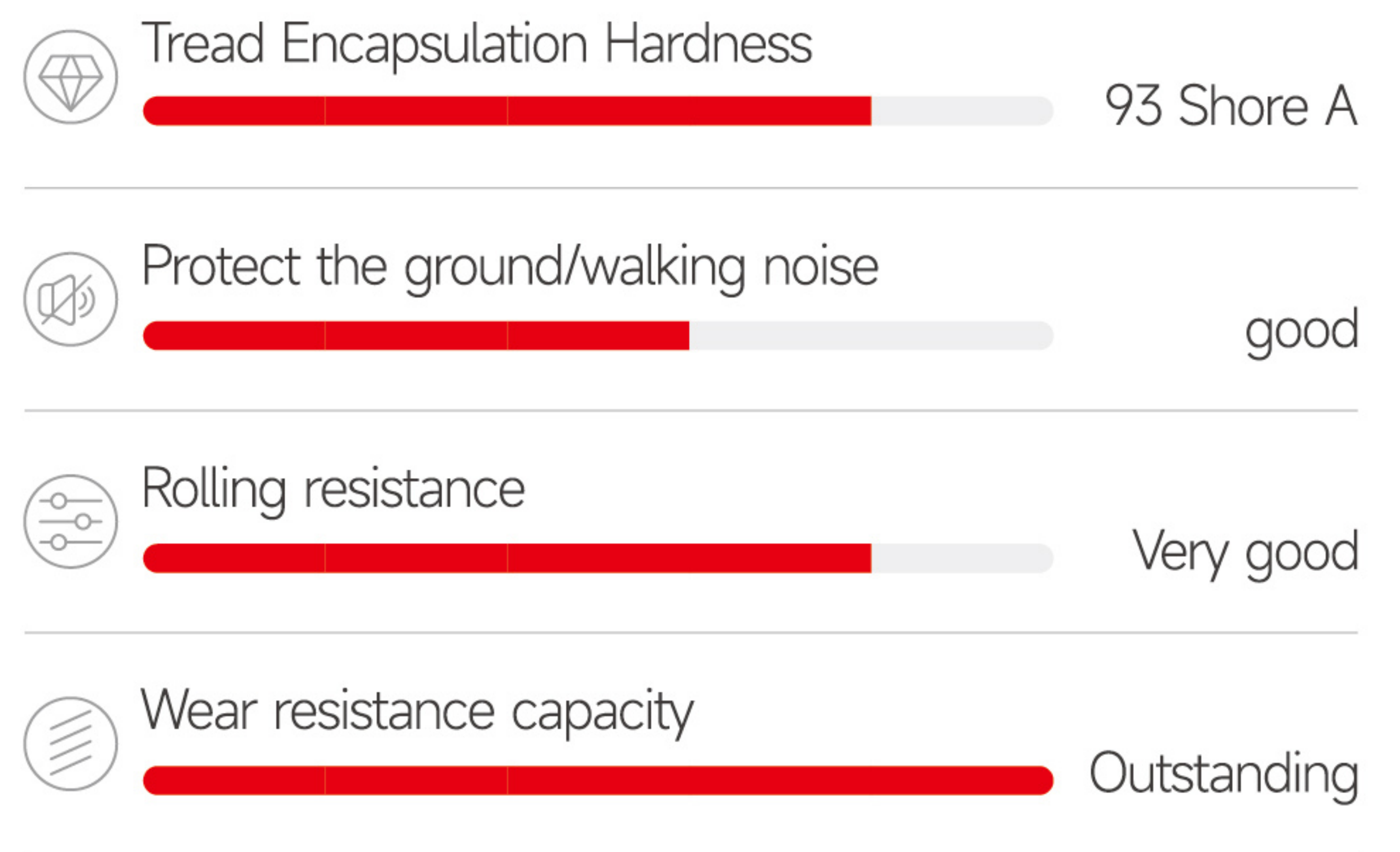
Single Wheel	Wheel Diameter (D)mm	Wheel Width (T2)mm	Load capacity at 4 km/h (kg)	Load capacity at 10 km/h (kg)	Quantity of Mounting Holes	Mounting Hole Diameter (d2)mm	Center Hole Diameter (d)mm	PCD (d1)mm
VSB 75/40	75	40	200	/				Customizable
VSB 100/40	100	40	250	/				Customizable
VSB 125/50	125	50	400	150				Customizable
VSB 160/50	160	50	550	220				Customizable
VSB 180/50	180	50	620	245				Customizable
VSB 200/50	200	50	700	275				Customizable
VSB 200/80	200	80	1000	400				Customizable
VSB 250/80	250	80	1200	475				Customizable
VSB 300/80	300	80	1600	620				Customizable
VSB 360/75	360	75	1700	675				Customizable
VSB 400/80	400	80	2100	680				Customizable

Other sizes are available upon request



VSC Series-Polyurethane Heavy Duty Idler Wheel

Idler wheels with Eamflex polyurethane tread

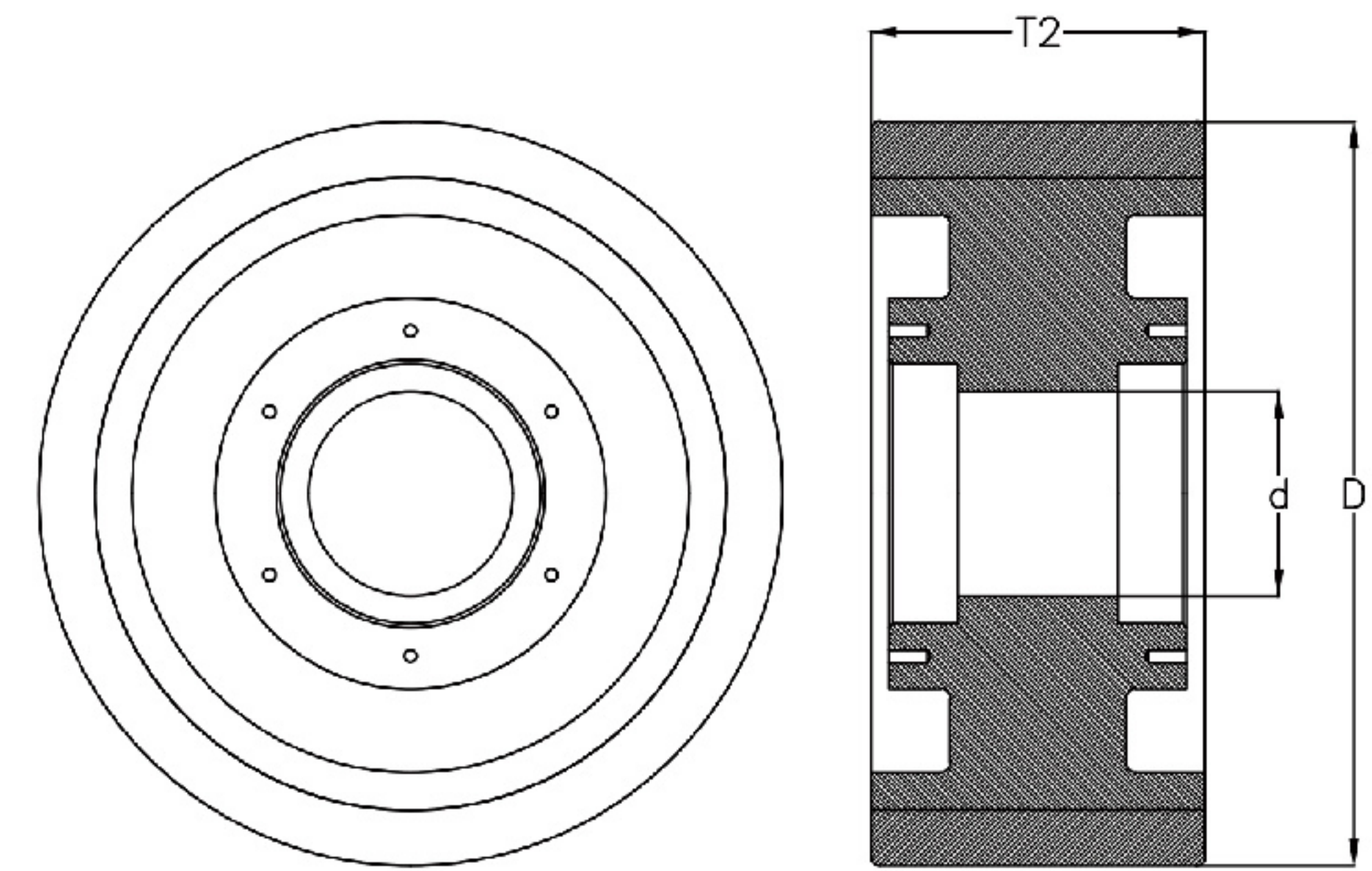


Introduction

Tread: Chemically reacted, high-quality polyurethane elastomer with a hardness of 93 ± 3 Shore A. It offers low running noise, low rolling resistance, ground protection, excellent wear resistance, high cut and tear resistance, non-marking and non-staining properties, and excellent adhesion to the wheel core.

Wheel core: Specified bearing brand available, C&U is the default.

Other features: Corrosion resistant to various corrosive substances; Operating Temperature: -30°C to $+70^{\circ}\text{C}$, temporarily up to $+90^{\circ}\text{C}$; load capacity reduced above $+40^{\circ}\text{C}$.



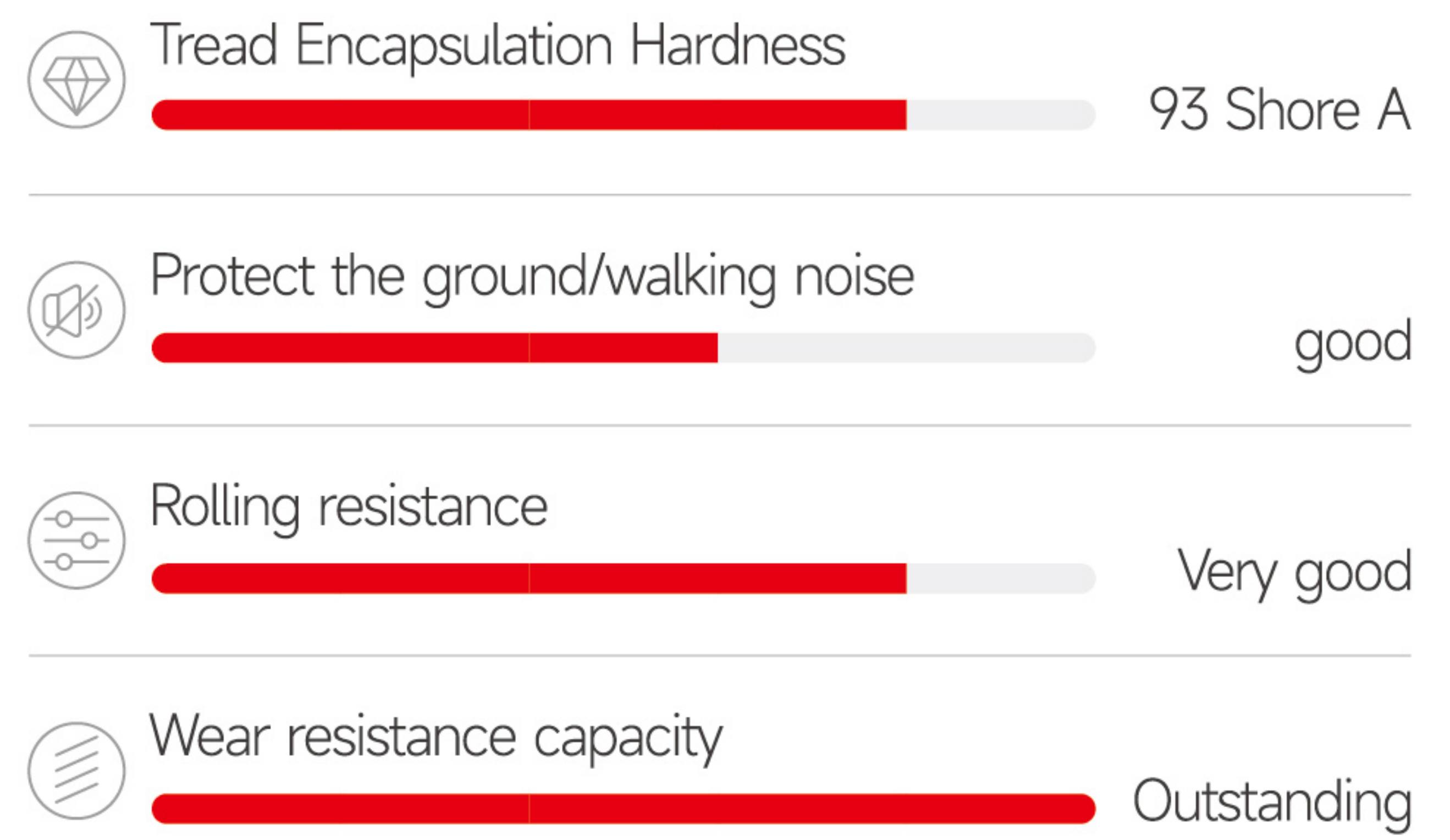
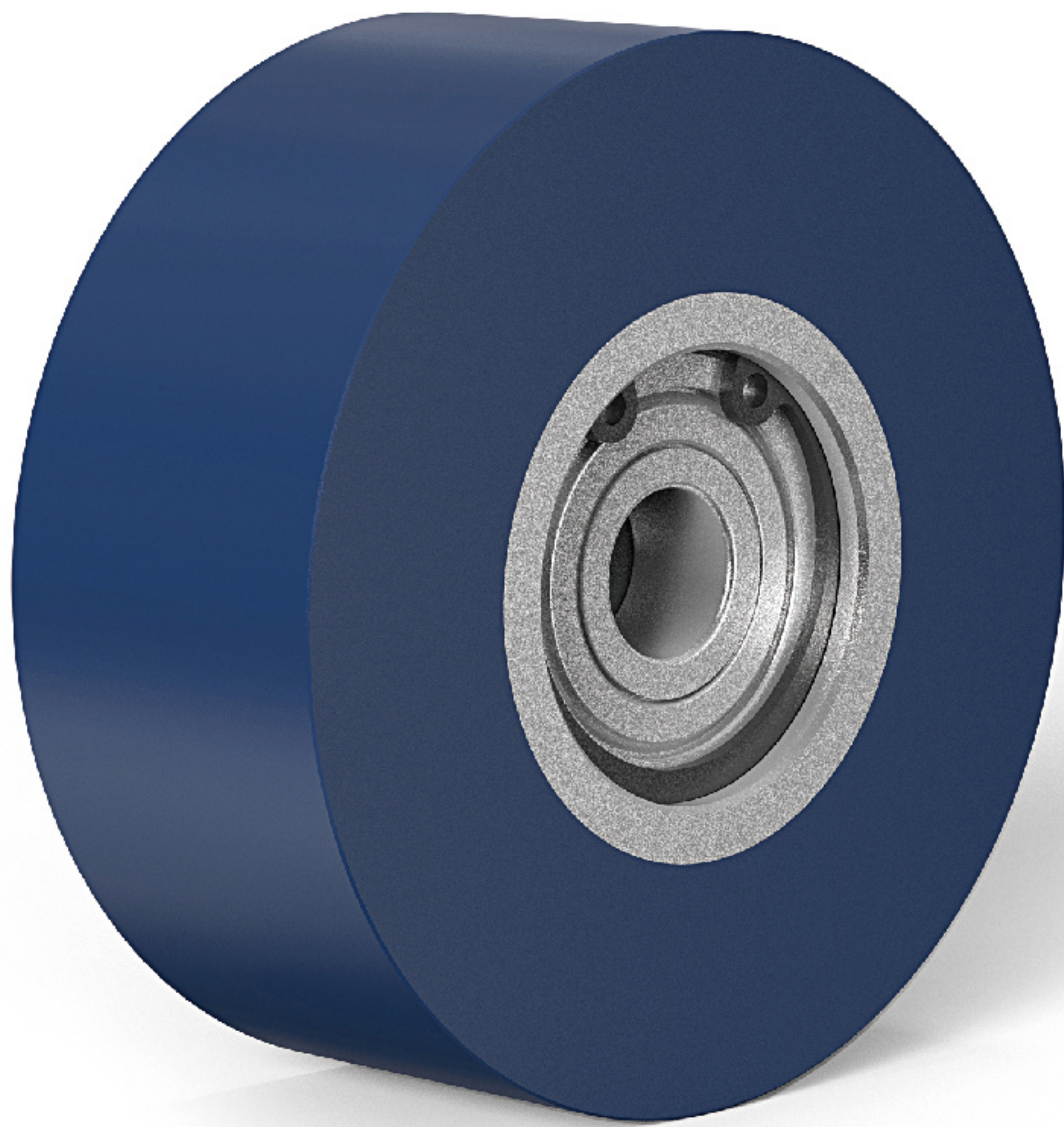
Technical parameters

Single Wheel	Wheel Diameter (D)mm	Wheel Width (T2)mm	Load capacity at 4 km/h (kg)	Load capacity at 10 km/h (kg)	Bearing Type	Axle Diameter	Hub Length
VSC 250*50	250	50	1250	620			Customizable
VSC 250*60	250	60	1500	750			Customizable
VSC 300*45	300	45	1300	650			Customizable
VSC 300*80	300	80	2400	1200			Customizable
VSC 300*100	300	100	3000	1500			Customizable
VSC 360*75	360	75	2500	1250			Customizable
VSC 360*100	360	100	3600	1800			Customizable
VSC 400*80	400	80	3000	1500			Customizable
VSC 400*125	400	125	5000	2500			Customizable
VSC 500*100	500	100	5000	2500			Customizable
VSC 600*125	600	125	10000	5000			Customizable
VSC 600*200	600	200	12000	6000			Customizable
VSC 750*200	750	200	15000	7500			Customizable
VSC 1000*300	1000	300	30000	15000			Customizable

Other sizes are available upon request

HEB Series-Polyurethane Guide Wheel

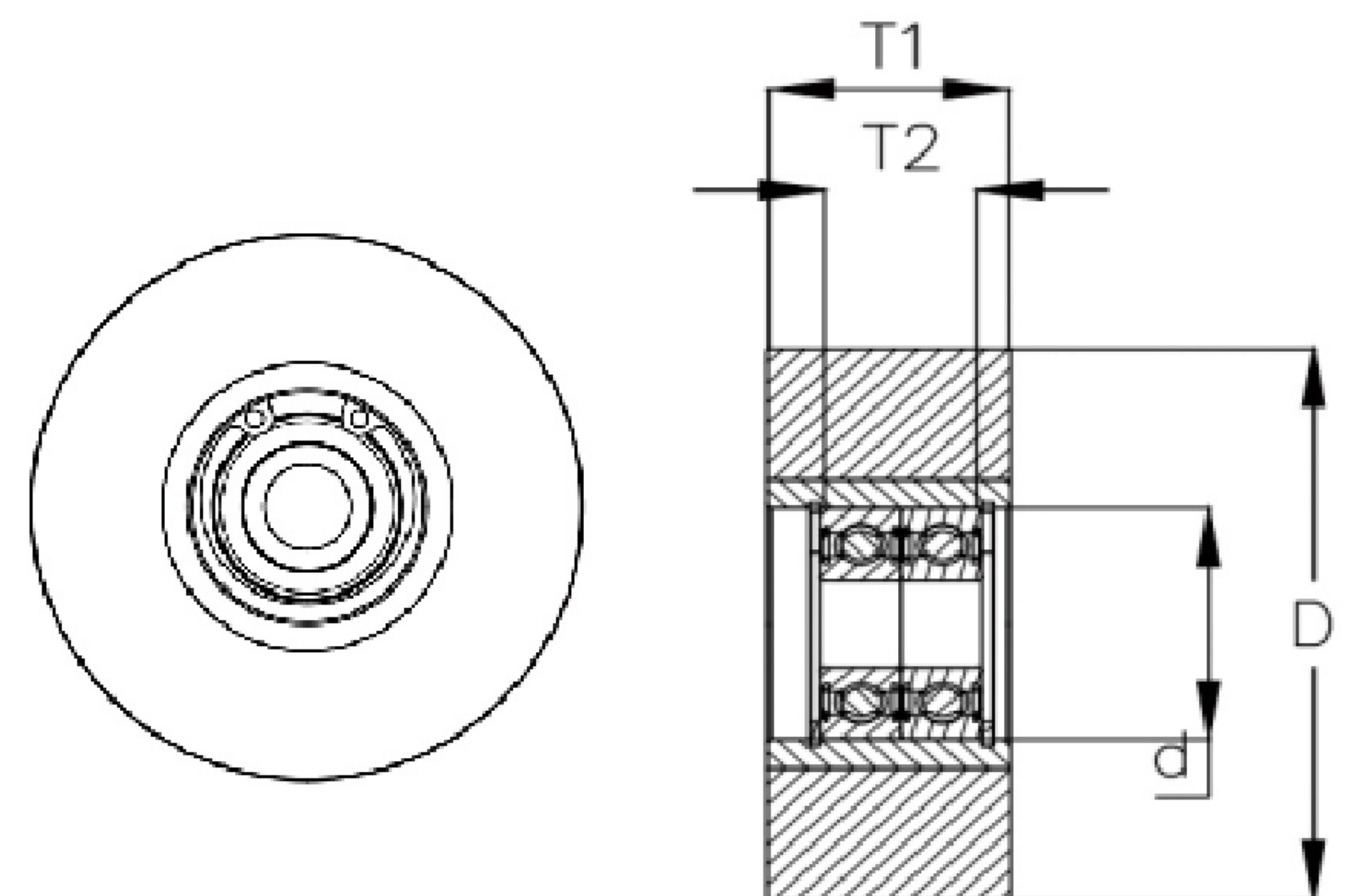
Guide wheels with Eamflex polyurethane tread



POLYURETHANE GUIDE WHEEL

Introduction

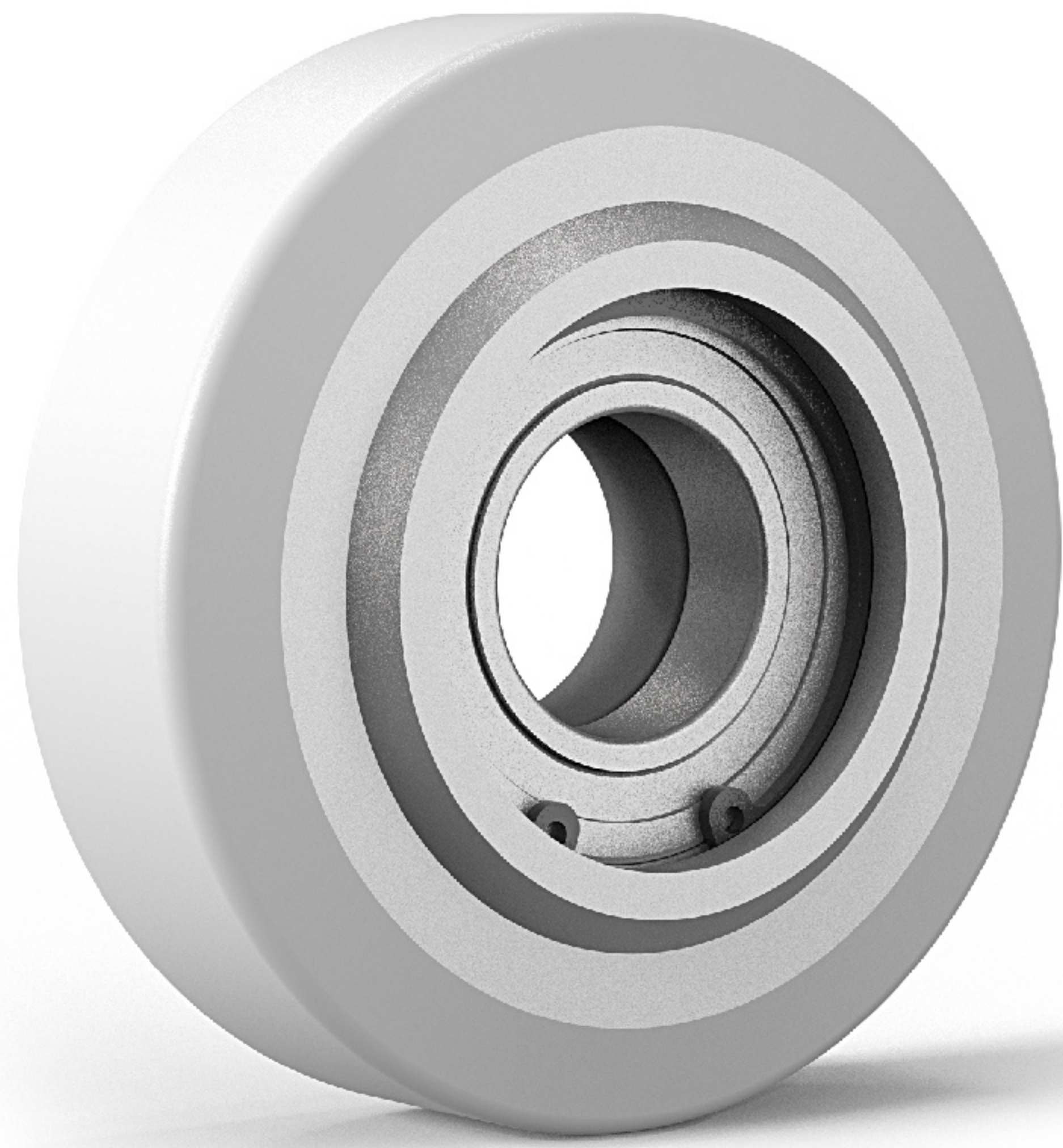
- Tread:** High-quality polyurethane elastomer cast by chemical reaction with a hardness of 93Shore A, excellent load-bearing capacity, low walking noise, low rolling resistance, ground protection, very wear-resistant, no marks, no staining, and excellent bonding effect with the wheel core.
- Wheel core:** Metal materials such as 45# steel, aluminum alloy, stainless steel, etc. can be selected according to working conditions; surface treatment can be selected from spray painting, phosphating, galvanizing, Dacromet, etc.
- Other features:** Corrosion resistance to various corrosive substances; Working temperature: -30°C to +70°C, short-term up to +90°C, load capacity is reduced above +40°C, antistatic agent can be added.



Technical parameters

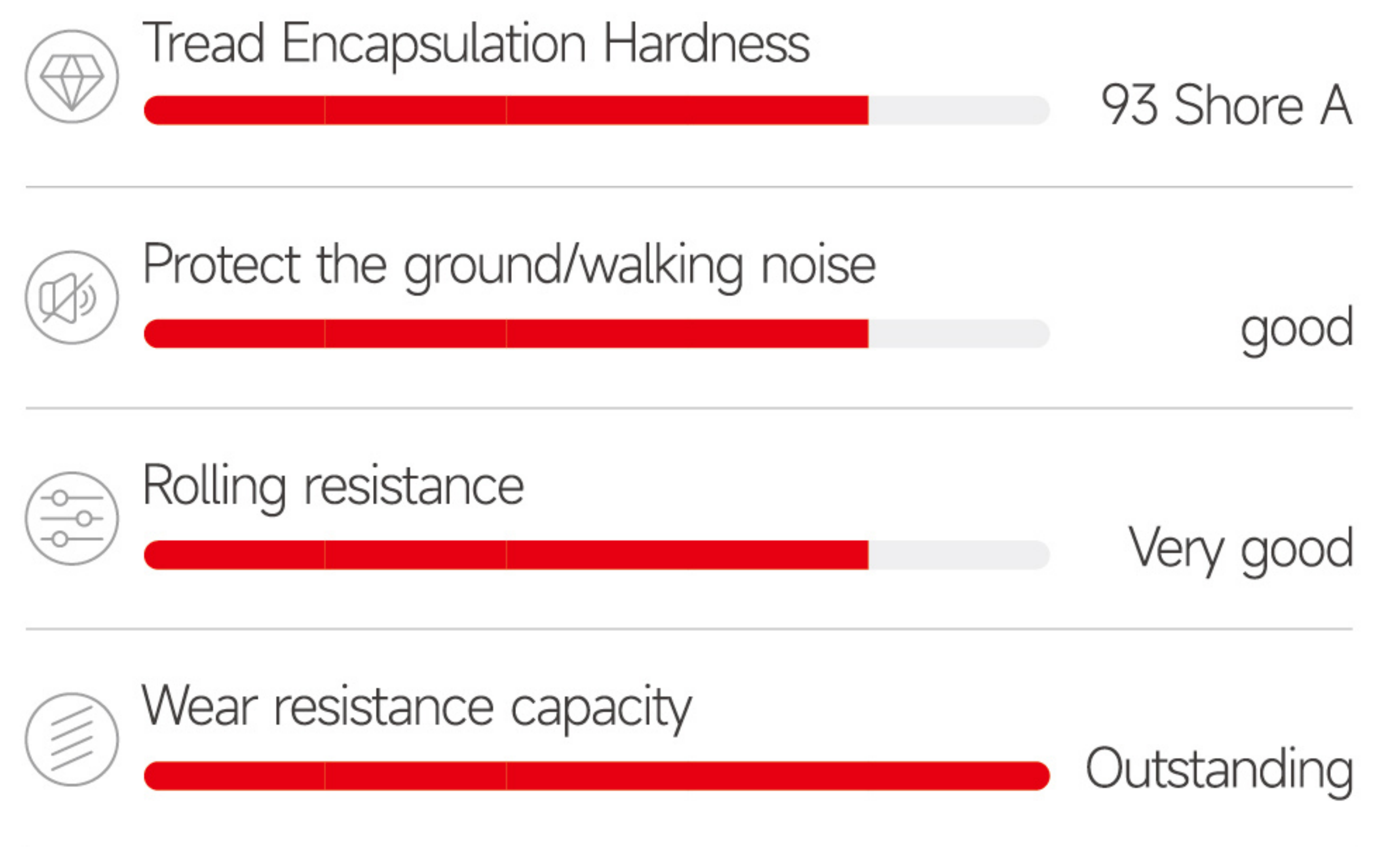
Guide Wheel	Wheel Diameter (D)mm	Wheel Width (T1)mm	Load Capacity (kg)	Bearing Model	Shaft Hole Diameter (d) mm	Clamping Length (T2) mm
HEB 60/20	60	20	90			Customizable
HEB 60/25	60	25	120			Customizable
HEB 70/20	70	20	110			Customizable
HEB 70/25	70	25	140			Customizable
HEB 70/30	70	30	160			Customizable
HEB 75/25	75	25	150			Customizable
HEB 75/30	75	30	180			Customizable
HEB 80/25	80	25	160			Customizable
HEB 80/30	80	30	190			Customizable
HEB 80/40	80	40	250			Customizable
HEB 90/25	90	25	180			Customizable
HEB 90/30	90	30	210			Customizable
HEB 90/40	90	40	280			Customizable
HEB 100/30	100	30	240			Customizable
HEB 125/30	125	30	375			Customizable

Other sizes are available upon request



HEC Series-Polyurethane Guide Wheel

Guide wheels with Eamflex polyurethane tread

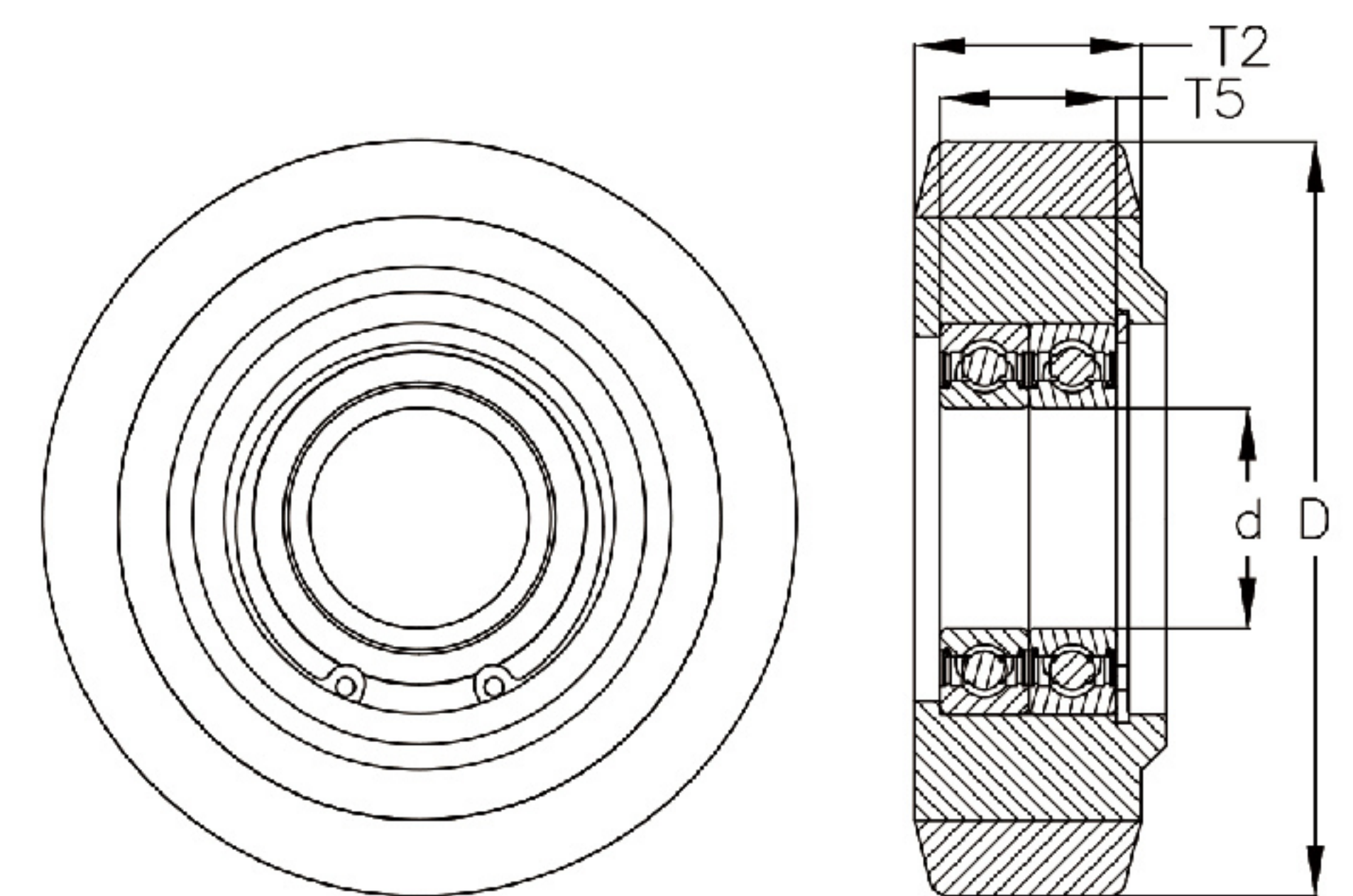


Introduction

Tread: Chemically reacted, high-quality polyurethane elastomer with a hardness of 93±3 Shore A offers low running noise, low rolling resistance, excellent ground protection, exceptional wear resistance, high cut and tear resistance, non-marking and non-staining properties, and excellent adhesion to the wheel core.

Wheel core: Available in 45# steel, cast iron, die-cast aluminum alloy, stainless steel, and other metal materials depending on the operating conditions. Surface treatment options include painting, phosphating, galvanizing, and Dacromet. Bearing brand can be specified; C&U is the default.

Other features: Corrosion resistant to various corrosive substances. Operating temperature: -30°C to +70°C, temporarily up to +90°C. Load capacity is reduced above +40°C.



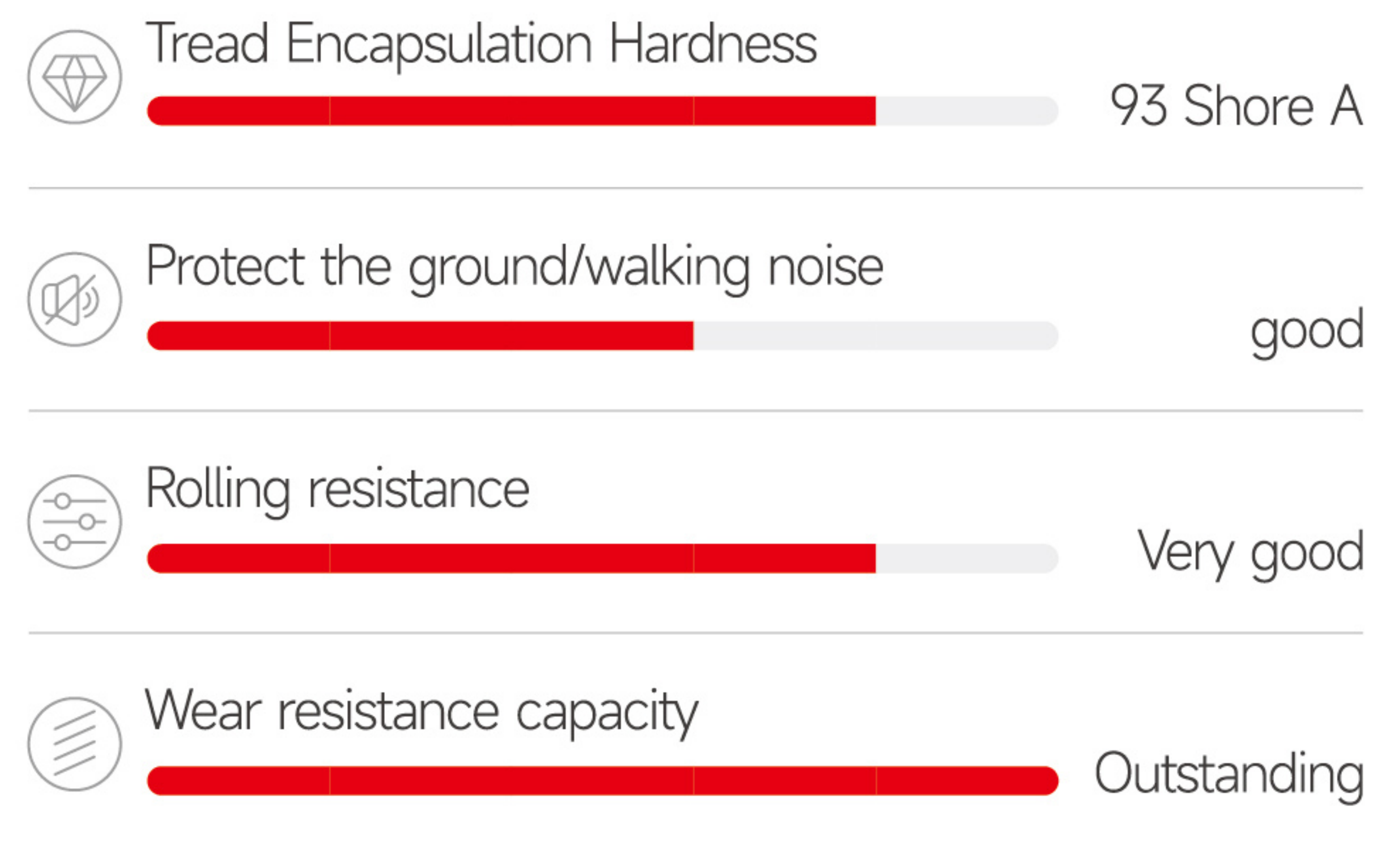
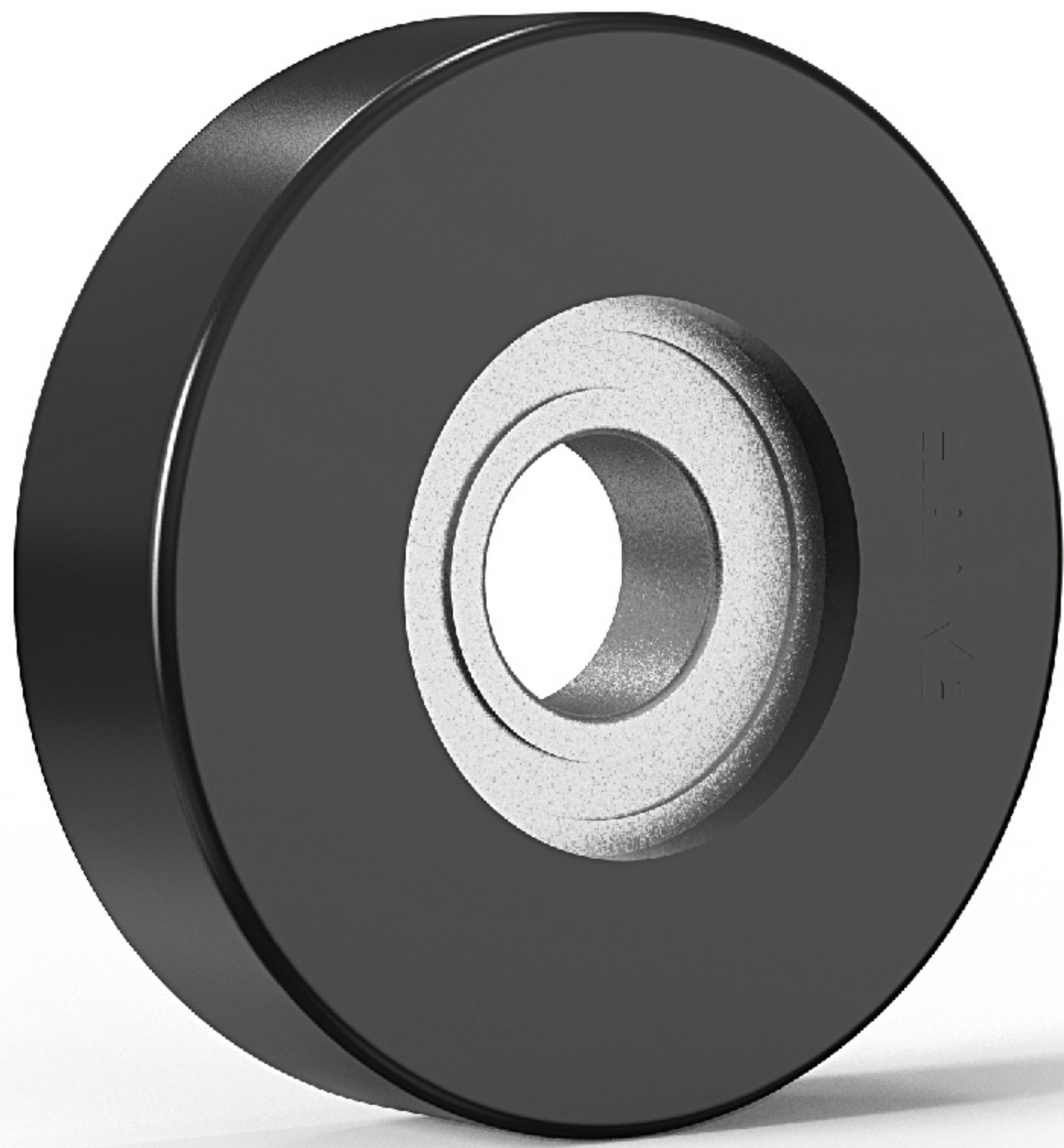
Technical parameters

Single Wheel	Wheel diameter (D) mm	Wheel width (T2) mm	Load capacity	Ball bearing	Hole diameter (d) mm	Clamping length (T5) mm
HEC 40/13	40	13	60			Customizable
HEC 40/25	40	25	115			Customizable
HEC 50/15	50	15	85			Customizable
HEC 50/25	50	25	140			Customizable
HEC 55/20	55	20	125			Customizable
HEC 60/25	60	25	170			Customizable
HEC 70/20	70	20	160			Customizable
HEC 80/20	80	20	180			Customizable
HEC 80/25	80	25	230			Customizable
HEC 90/25	90	25	260			Customizable
HEC 110/25	110	25	275			Customizable
HEC 120/25	120	25	300			Customizable
HEC 125/25	125	25	320			Customizable
HEC 125/30	125	30	375			Customizable

Other sizes are available upon request

TEA Series - Bearing Polyurethane-Coated Wheels

Drive wheels with Eamflex polyurethane tread



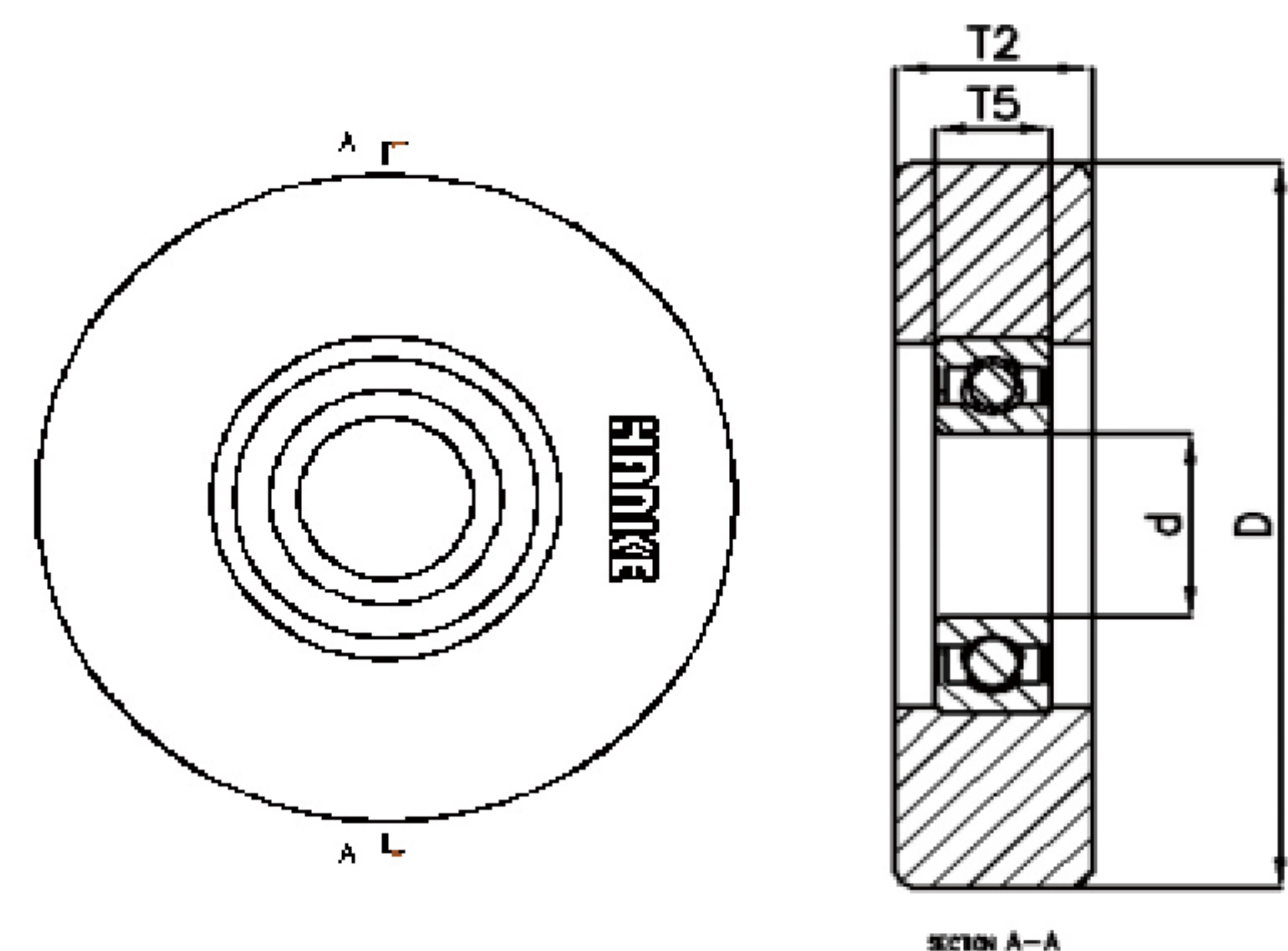
POLYURETHANE BEARING

Introduction

Tread: The hardness of the high-quality polyurethane elastomer cast through chemical reaction is 93±3 Shore A. It has low running noise, small rolling resistance, protects the ground, is highly wear-resistant, has high resistance to cutting and tearing, leaves no marks, does not stain, and has an excellent bonding effect with the wheel core.

Wheel core: The bearing brand can be specified, with C&U as the default

Other features: Resistant to corrosion by various corrosive substances; Operating temperature: -30°C to +70°C, short-term up to +90°C, load capacity decreases when above +40°C



Technical parameters

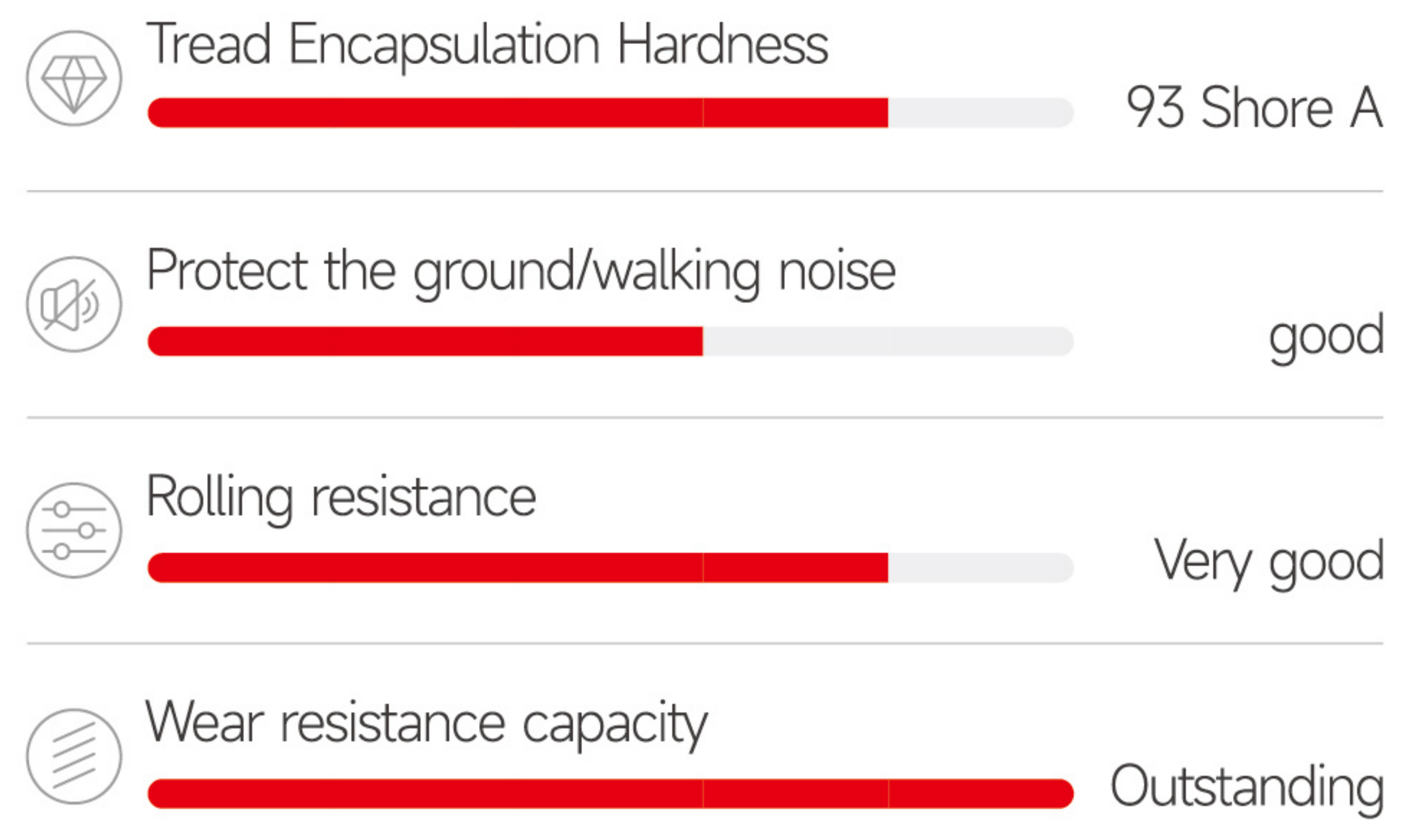
Rubber-Coated Wheels with Bearings	Wheel Diameter (D) mm	Wheel Width (T2)mm	Load Capacity (kg)	Ball Bearings	Shaft Hole Diameter (d)mm	Clamping Length (T5)mm
TEA 36/13-6200	36	13	45	6200 2RS	10	9
TEA 40/20-6200	40	20	50	6200 2RS	10	9
TEA 45/20-6202	45	20	80	6202 2RS	15	11
TEA 60/20-6203	60	20	90	6203 2RS	17	12
TEA 50/15-6301	50	15	75	6301 2RS	12	12
TEA 62/15-6004	62	15	100	6004 2RS	20	12
TEA 75/20-6204	75	18	120	6204 2RS	20	14
TEA 70/20-6205	75	20	150	6205 2RS	25	15

Other sizes are available upon request



TEB Series -Polyurethane Bearing Wheels

Polyurethane bearing with Eamflex polyurethane tread

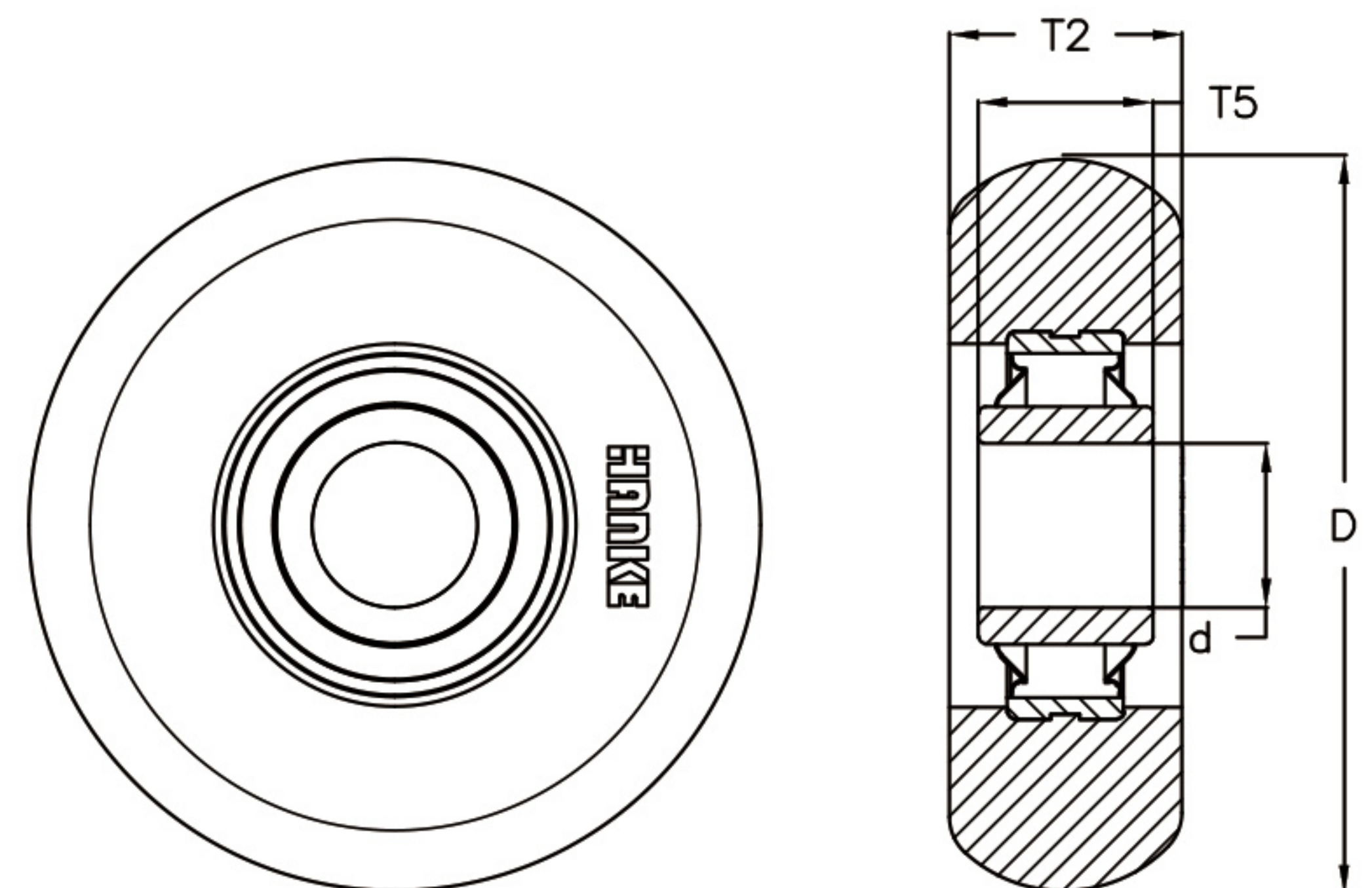


Introduction

Tread: The high-quality polyurethane elastomer cast through chemical reaction has A hardness of 93±3 Shore A. It has low walking noise, small rolling resistance, protects the ground, is highly wear-resistant, has high resistance to cutting and tearing, leaves no marks, does not stain, and has an excellent bonding effect with the wheel core.

Wheel core: The bearing brand can be specified, with C&U as the default

Other features: Resistant to corrosion by various corrosive substances; Operating temperature: -30°C to +70°C, short-term up to +90° C. Load capacity decreases above +40°C



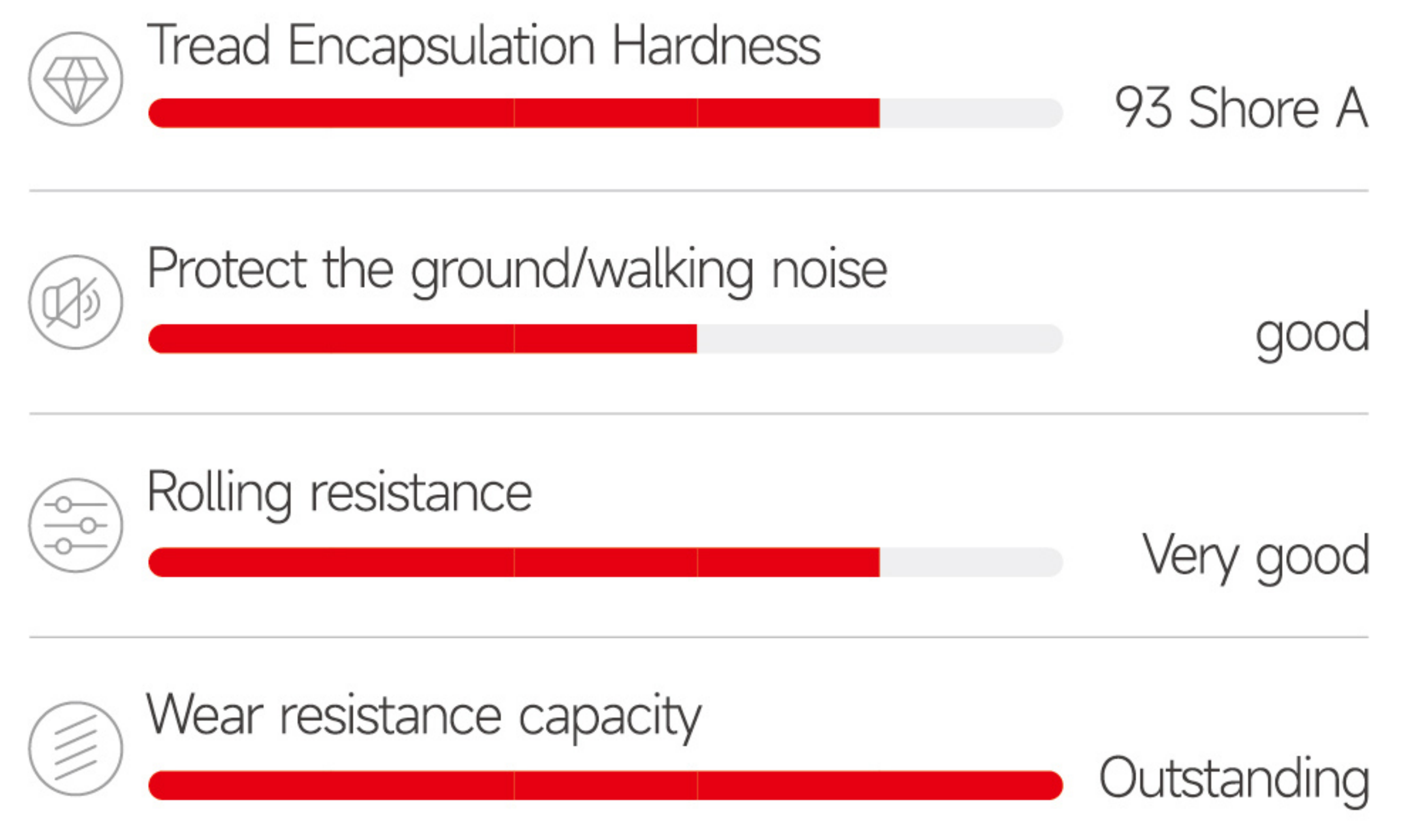
Technical parameters

Shaft-mounted Rubber Wheels	Wheel Diameter (D)mm	Wheel Width (T2)mm	Load Capacity (kg)	Ball Bearing	Shaft Hole Diameter (d)mm	Clamping Length (T5)mm
TEB 40*13/10-8K	40	13	60	6000-2RS	10	8
TEB 50*15/10-8K	50	15	85	6000-2RS	10	8
TEB 50*25/12-10K	50	25	140	6201-2RS	12	10
TEB 70*20/20-12K	70	20	160	6004-2RS	20	12
TEB 80*20/20-14K	80	20	180	6204-2RS	20	14
TEB 90*25/20-15K	90	25	260	6304-2RS	20	15
TEB 110*25/25-15K	110	25	275	6205-2RS	25	15
TEB 125*30/25-15K	125	30	375	6205-2RS	25	15

Other sizes are available upon request

TER Series-Polyurethane Short Roller

Rollers with Eamflex polyurethane tread



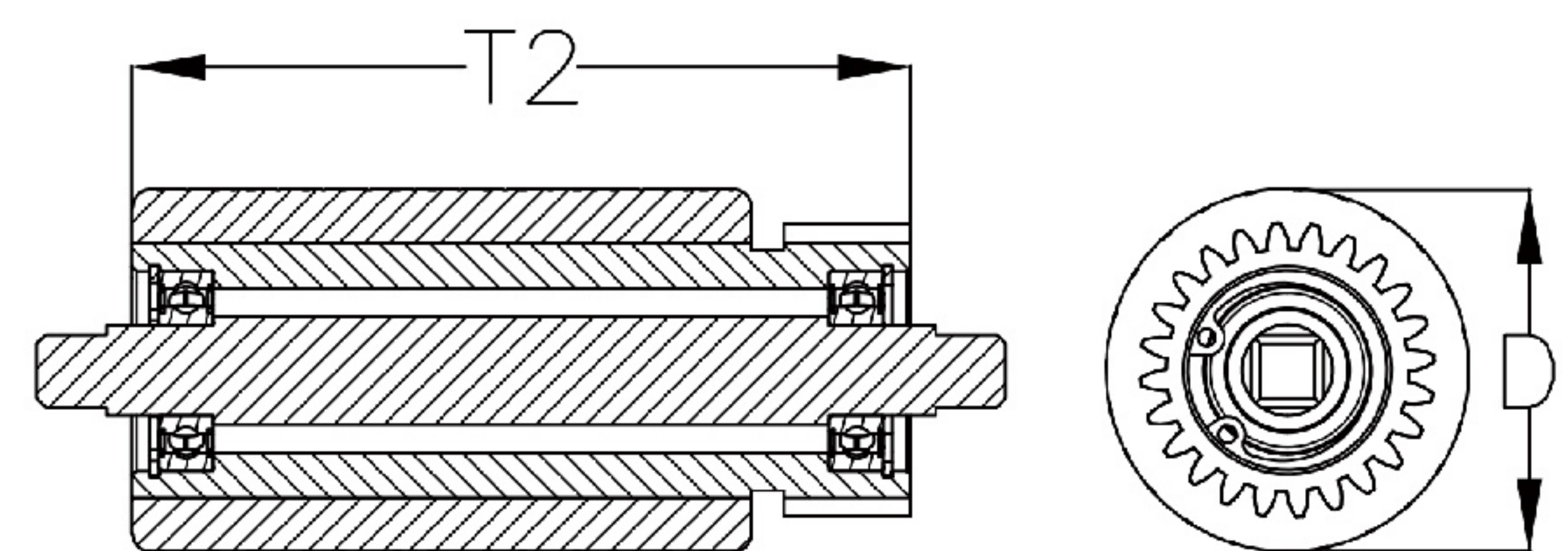
POLYURETHANE CONVEYOR ROLL

Introduction

Tread: The high-quality polyurethane elastomer cast through chemical reaction has A hardness of 93±3 Shore A. It has low walking noise, small rolling resistance, protects the ground, is highly wear-resistant, has high resistance to cutting and tearing, and leaves no marks or stains.

Wheel core: The bearing brand can be specified, with C&U as the default

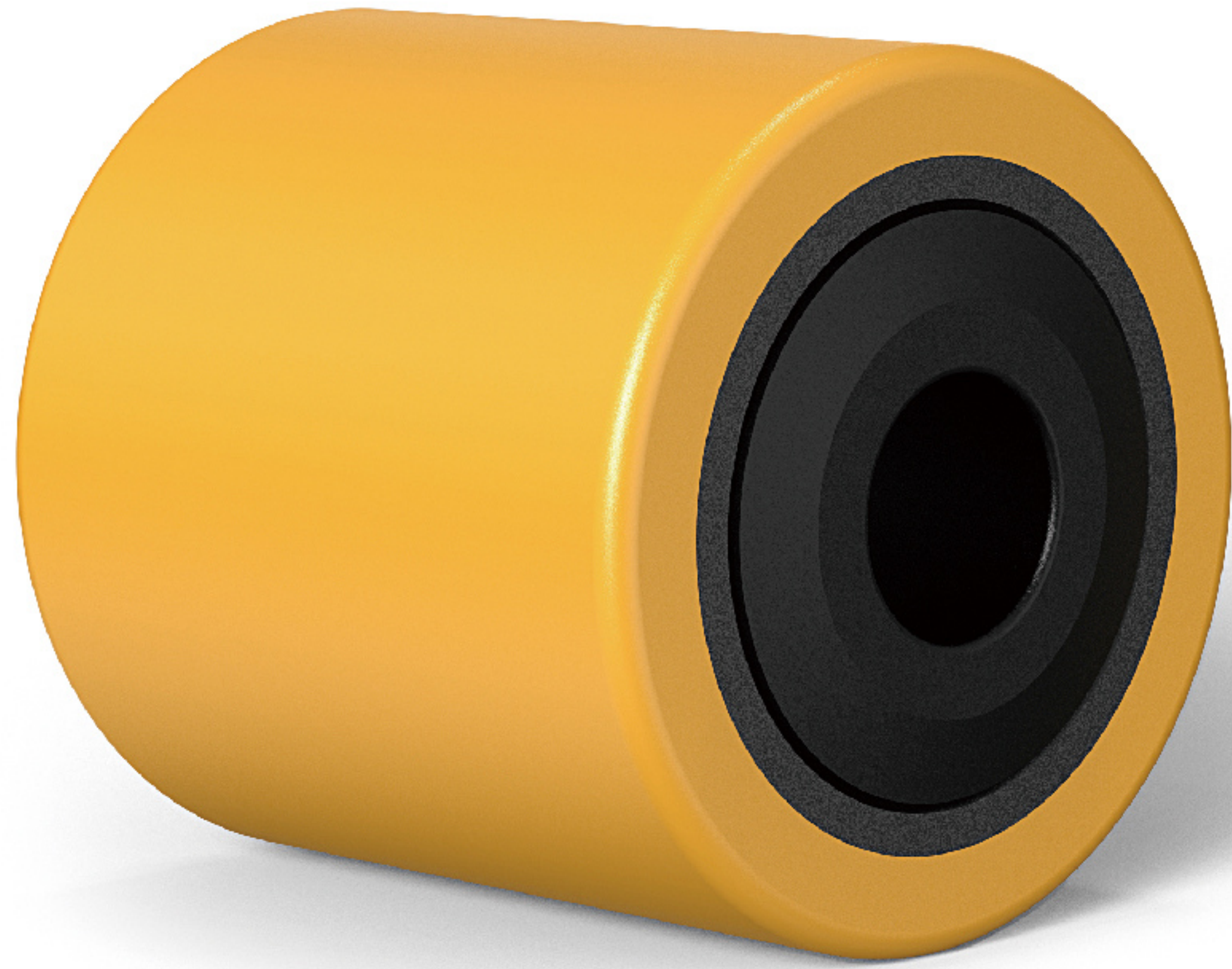
Other features: Resistant to corrosion by various corrosive substances; Operating temperature: -30°C to +70°C, short-term up to +90° C. Load capacity decreases above +40°C



Technical parameters

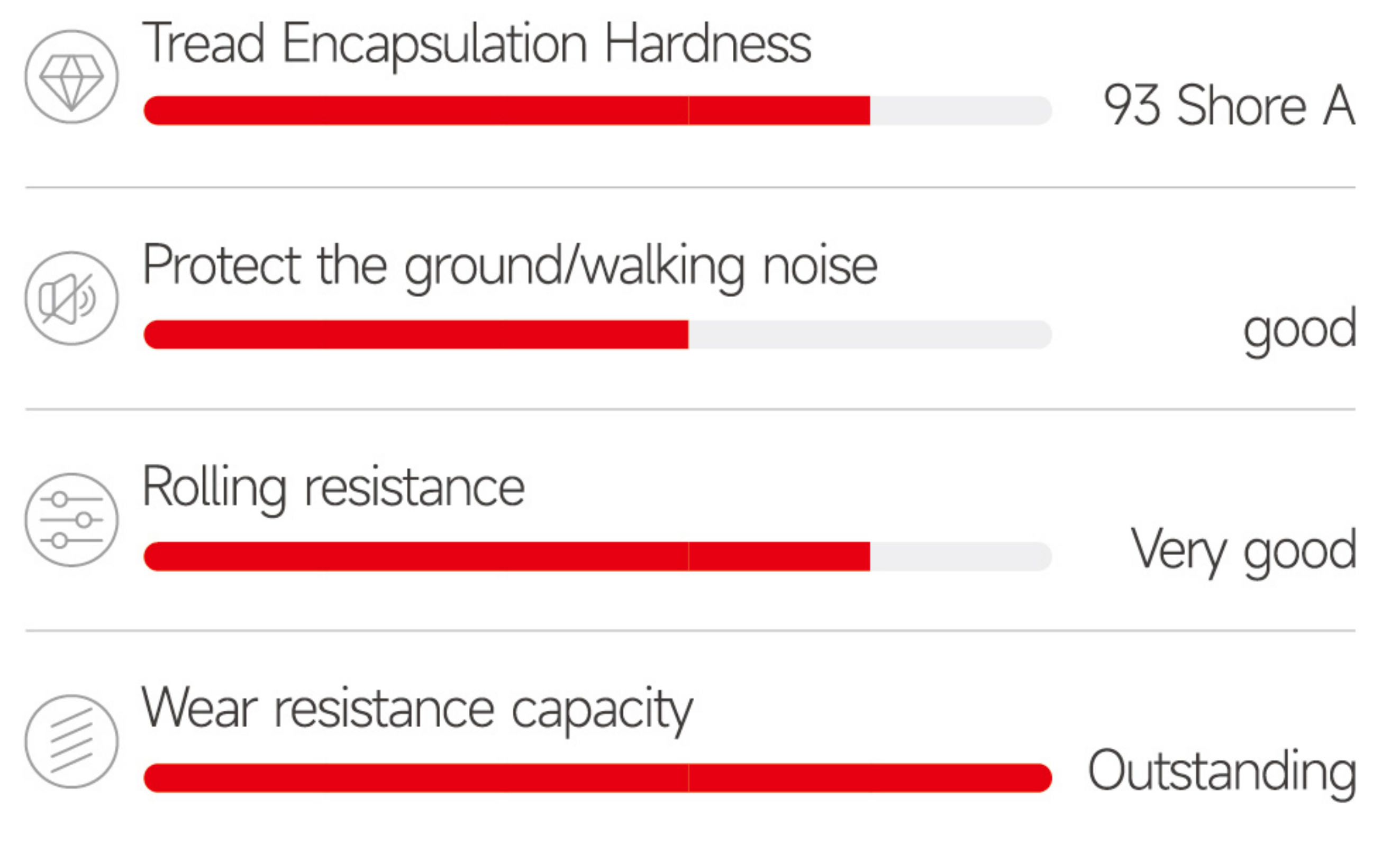
Single Roller	Width(D) mm	Length(T2) mm	Load(kg)
TER 40/107	40	107	30

Other sizes are available upon request



TER Series-Polyurethane Rollers

Rollers with Eamflex polyurethane tread

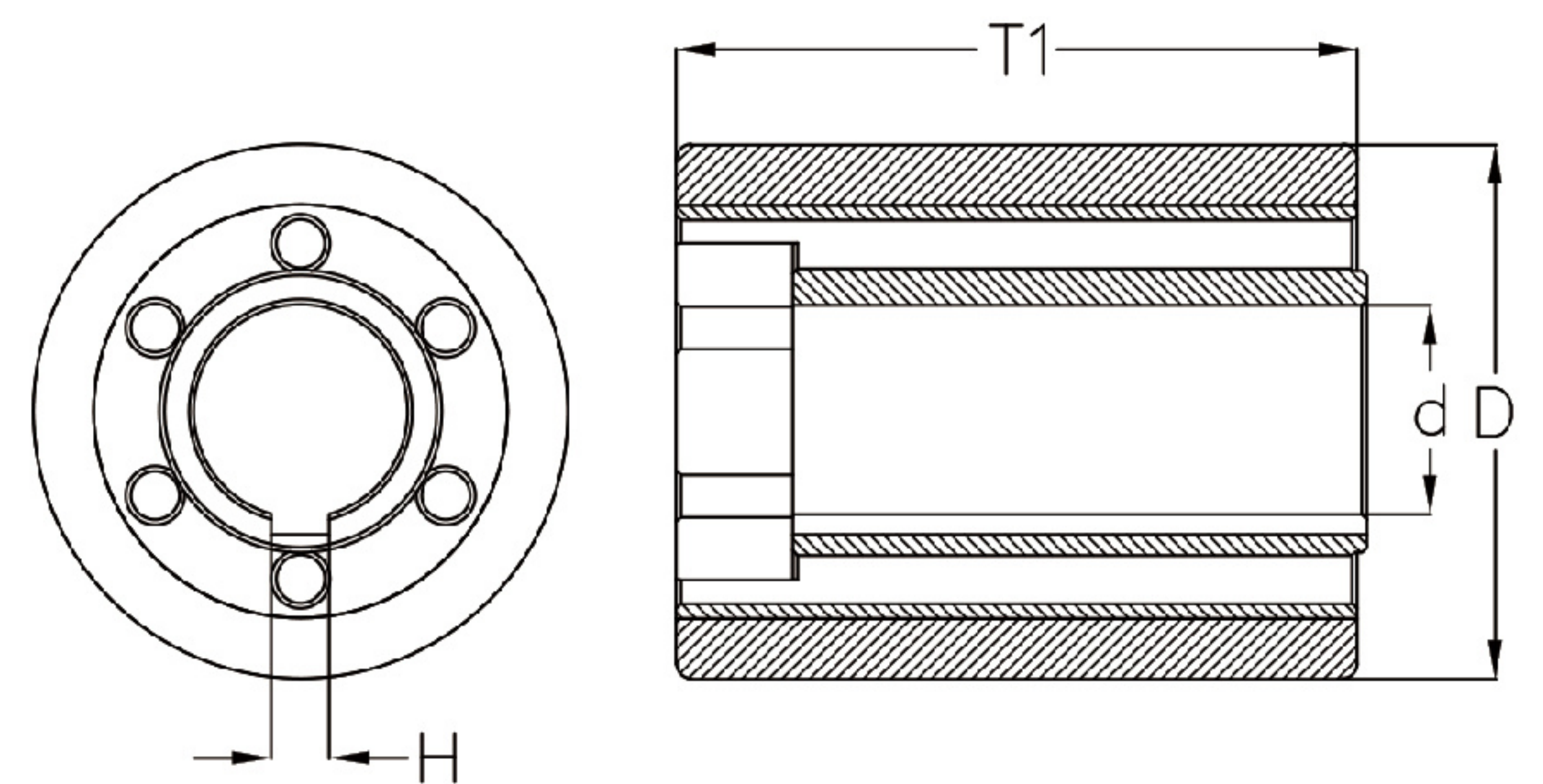


Introduction

Tread: Chemically reacted, high-quality polyurethane elastomer with a hardness of 93 ± 3 Shore A. It offers low running noise, low rolling resistance, ground protection, excellent wear resistance, high cut and tear resistance, non-marking and non-staining properties, and excellent adhesion to the wheel core.

Wheel core: Specified bearing brand available, C&U is the default.

Other features: Corrosion resistant to various corrosive substances; Operating Temperature: -30°C to $+70^{\circ}\text{C}$, temporarily up to $+90^{\circ}\text{C}$; load capacity reduced above $+40^{\circ}\text{C}$.



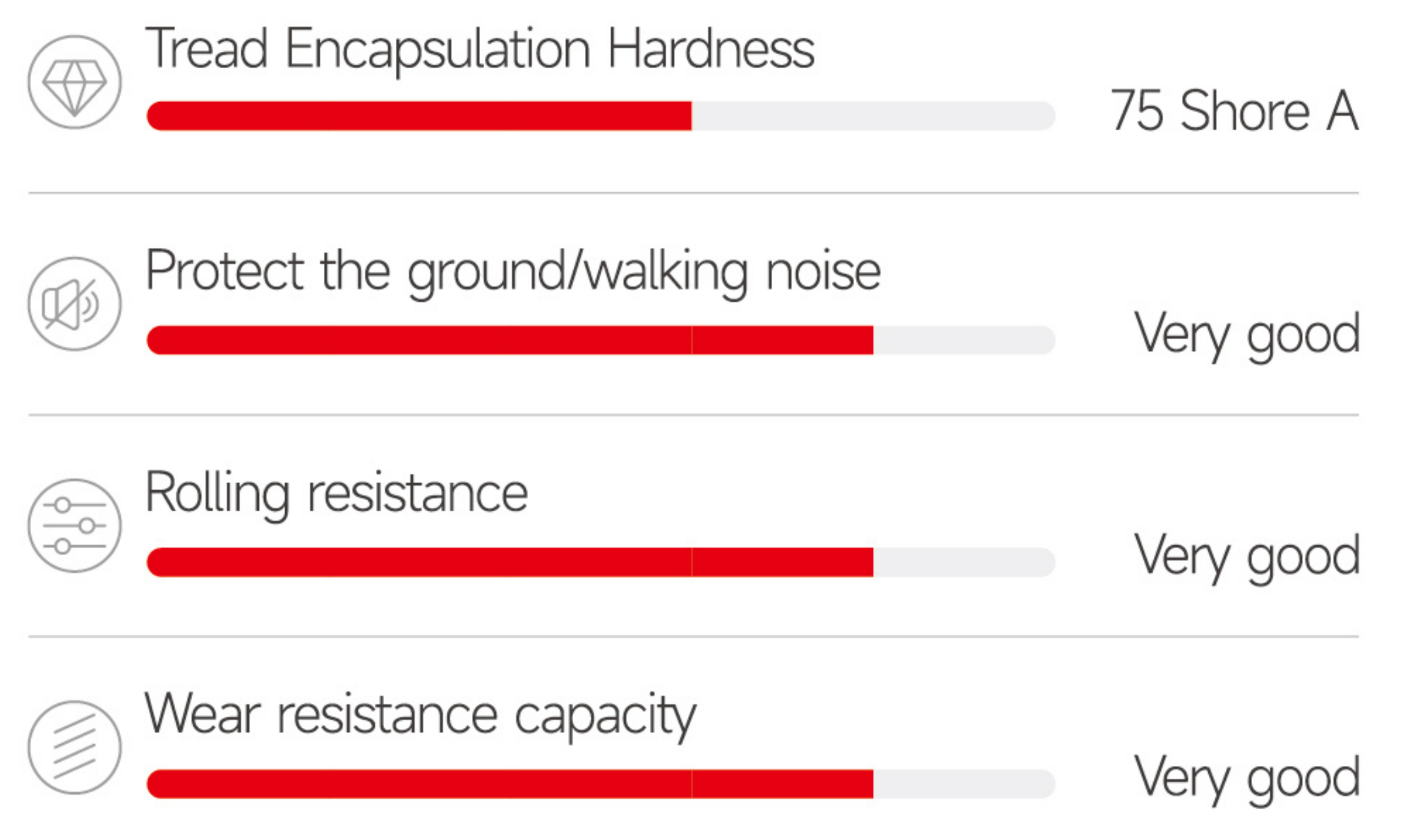
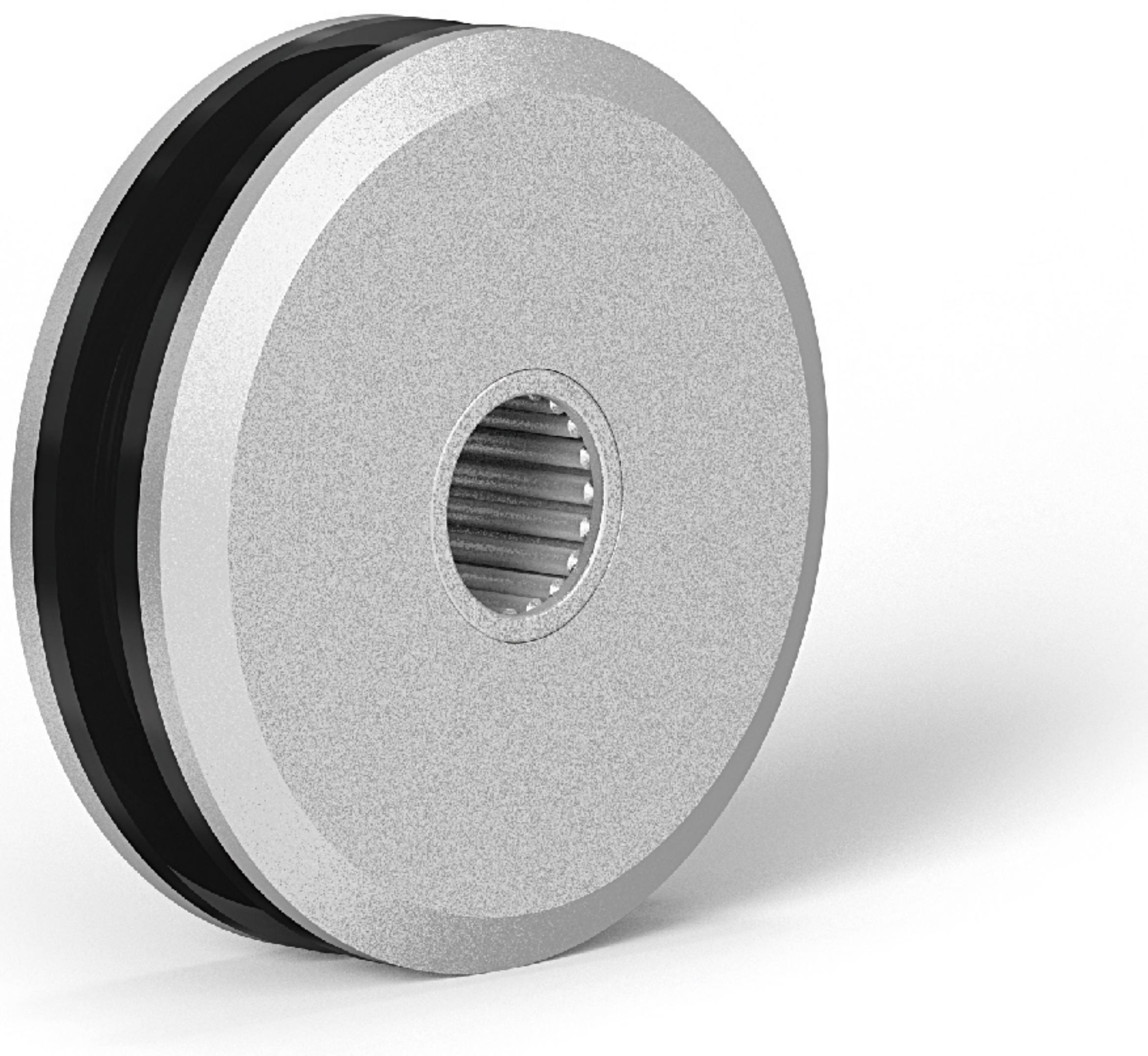
Technical parameters

Single Wheel	Wheel Diameter (D) mm	Wheel Width (T2) mm	Load Capacity (kg)	Ball Bearing	Shaft Hole Diameter (d)mm	Clamping Length mm
SER-85/36	36	85	800		Customization	

Other sizes are available upon request

Customized Wheels-Rigid Caster

Customized wheels with Saxflex polyurethane tread



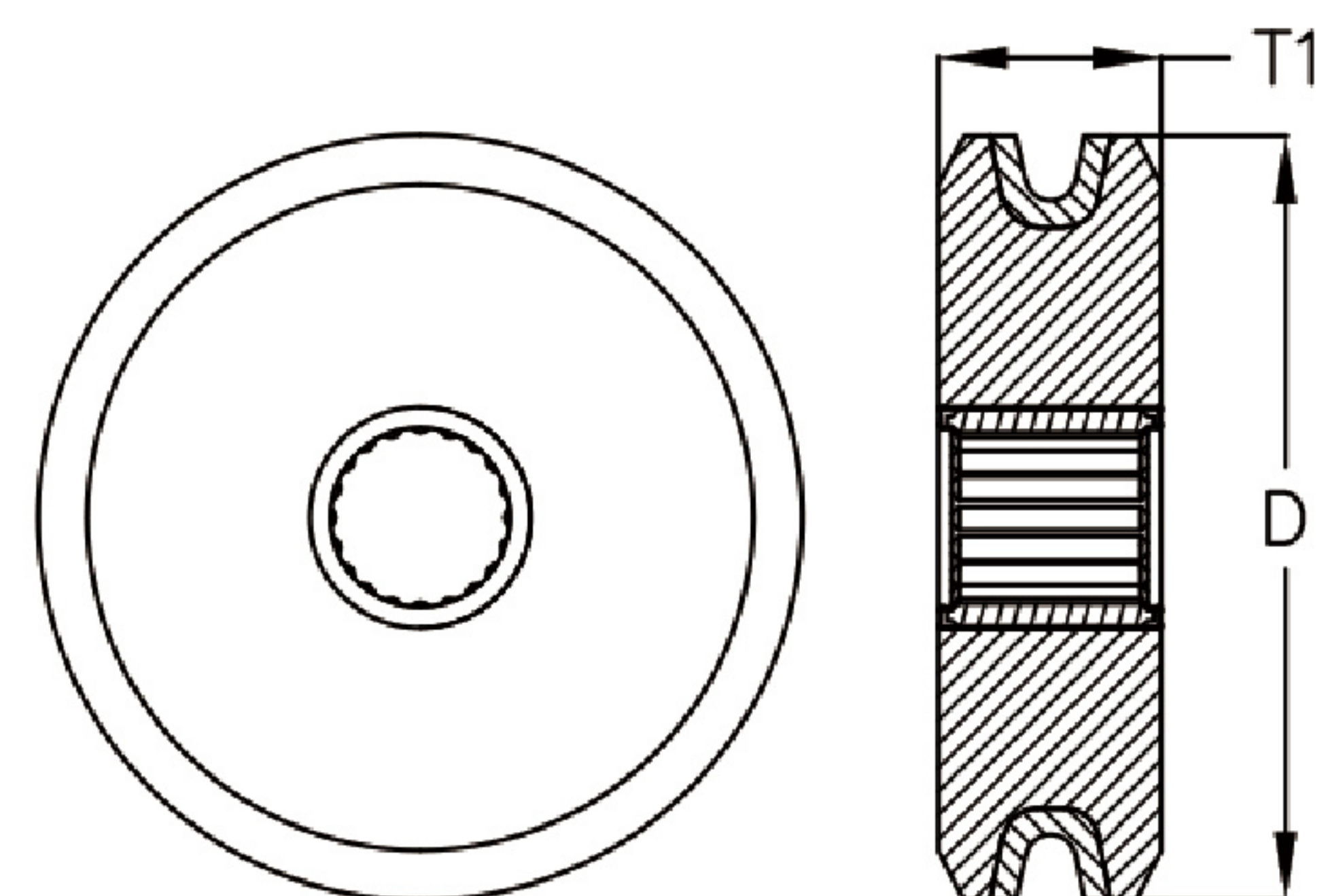
POLYURETHANE CUSTOM CATEGORY

Introduction

Tread: Chemically reacted, high-quality polyurethane elastomer with a hardness of 75 ± 3 Shore A provides excellent floor protection, quiet operation, low rolling resistance, high cut and tear resistance, non-marking and non-staining properties, and excellent adhesion to the wheel core.

Wheel core: Available in 45# steel, cast iron, die-cast aluminum alloy, stainless steel, and other metal materials depending on the operating conditions. Surface treatment options include painting, phosphating, galvanizing, and Dacromet.

Other features: Corrosion resistant to various corrosive substances. Operating temperature: -30°C to $+70^{\circ}\text{C}$, temporarily up to $+90^{\circ}\text{C}$. Load capacity is reduced above $+40^{\circ}\text{C}$.



Technical parameters

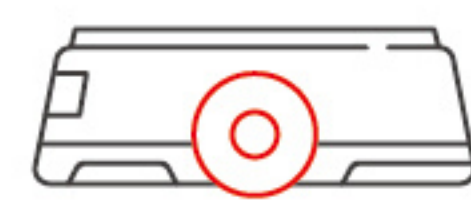
Single Wheel	Single Wheel Diameter (D) mm	Single Wheel Width (T1) mm	Load Capacity (kg)
Customized Rigid Caster	50	15	130

Other sizes are available upon request

Empowering Multiple Industries and Fields. Driving an Efficient Future.



- ◎ AGV polyurethane wheels
- ◎ Polyurethane wheels for stacker cranes
- ◎ Polyurethane wheels for shuttle vehicles
- ◎ Polyurethane wheels for conveyor lines

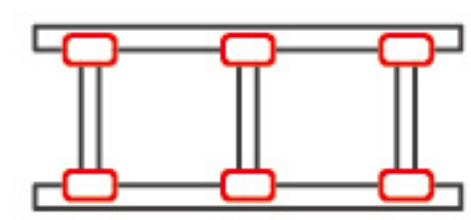


Intelligent warehouse logistics

Today, with the rapid development of the logistics industry, our products provide efficient and stable conveying support for automated warehousing systems, helping enterprises achieve intelligent upgrades.



- ◎ Polyurethane wheels for sled lines
- ◎ Polyurethane wheels of the runner
- ◎ Polyurethane wheels of the hoist
- ◎ Polyurethane wheels for friction lines

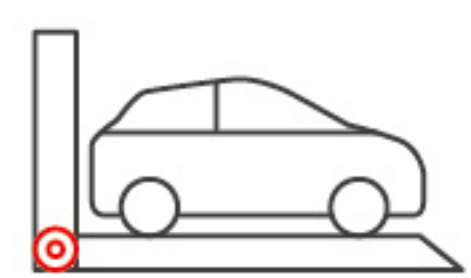


Automobile manufacturing and conveying

With the increasing demands for precision and efficiency in the automotive manufacturing industry, Hanko products provide reliable guarantees for production line transportation with their high wear resistance and high precision characteristics.



- ◎ Polyurethane wheels of the elevator
- ◎ Polyurethane wheels of the runner

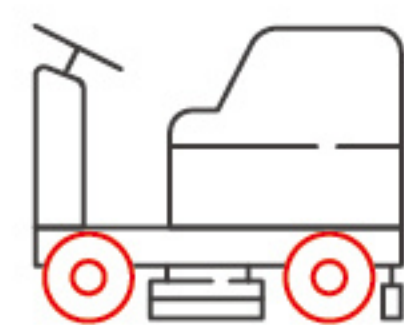


Intelligent multi-storey car park

Against the backdrop of increasingly tight urban parking space, we offer silent and stable drive solutions for multi-storey car parks to enhance equipment operation efficiency and user experience.



- ◎ Polyurethane drive wheel for floor scrubber
- ◎ Polyurethane driven wheel for floor scrubber
- ◎ Polyurethane drive wheels for the second-generation floor scrubber
- ◎ Polyurethane driven wheels for the second-generation floor scrubber



Cleaning equipment drive

The polyurethane elastomer used by Hanko enables the detergent wheels to have higher sustainability and service life. Hanko's average annual single wheel shipment volume reaches 300,000 units, and it has established good and stable cooperative relations...

Global Partners, Side by Side.
Winning the Future with You.



Global Website

www.hankepu.com



Sales Online 1



Sales Online 2



Technical Support

Hanke (Wenzhou) Polyurethane Technology Co., Ltd.



Tel:
183-1290-0808



Fax:
0577-59920956



Email:
HK@putscn.com



Add:
No. 515 Haixia Avenue, Wenzhou City, Zhejiang Province, China