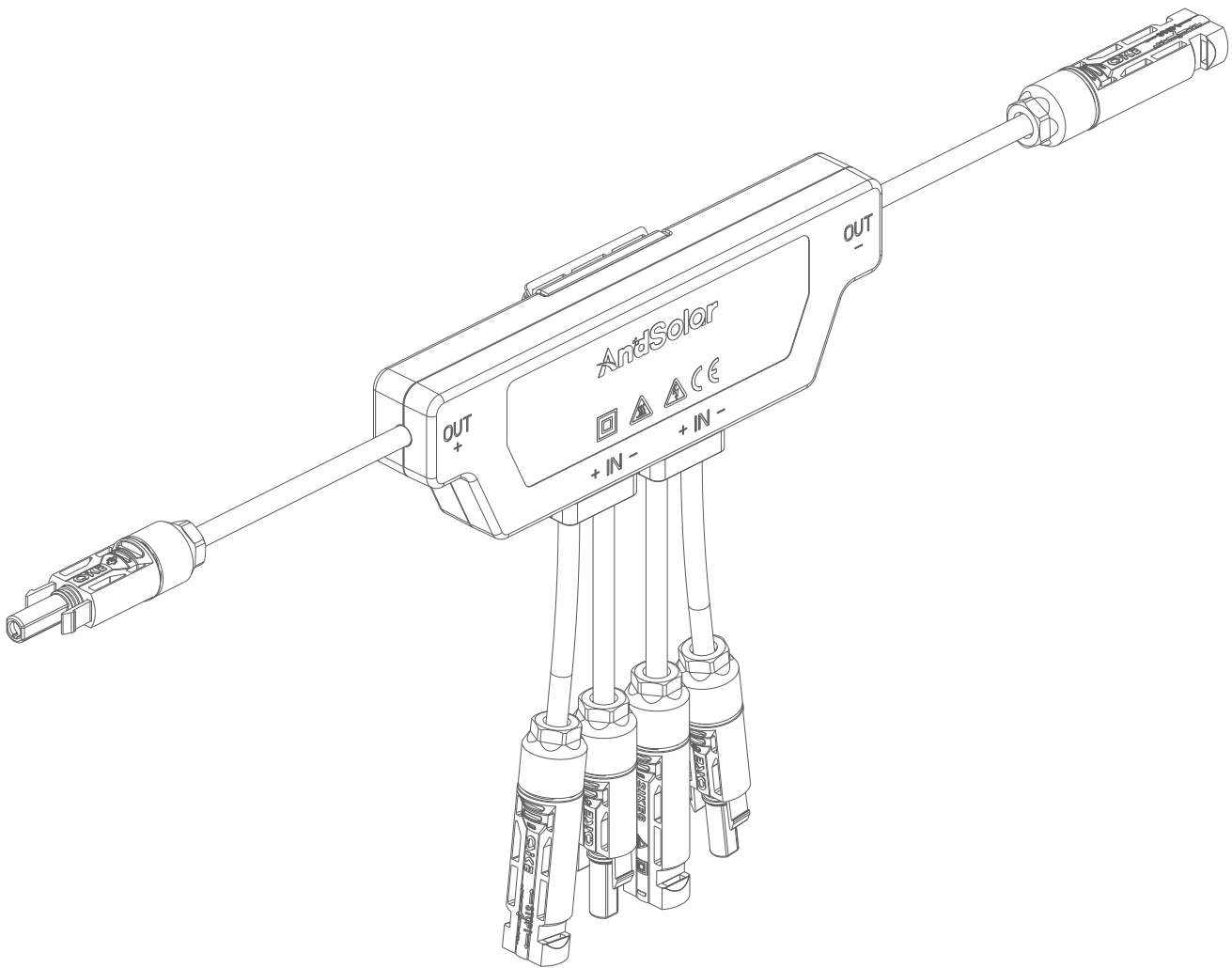


AMCL Smart Rapid Shutdown

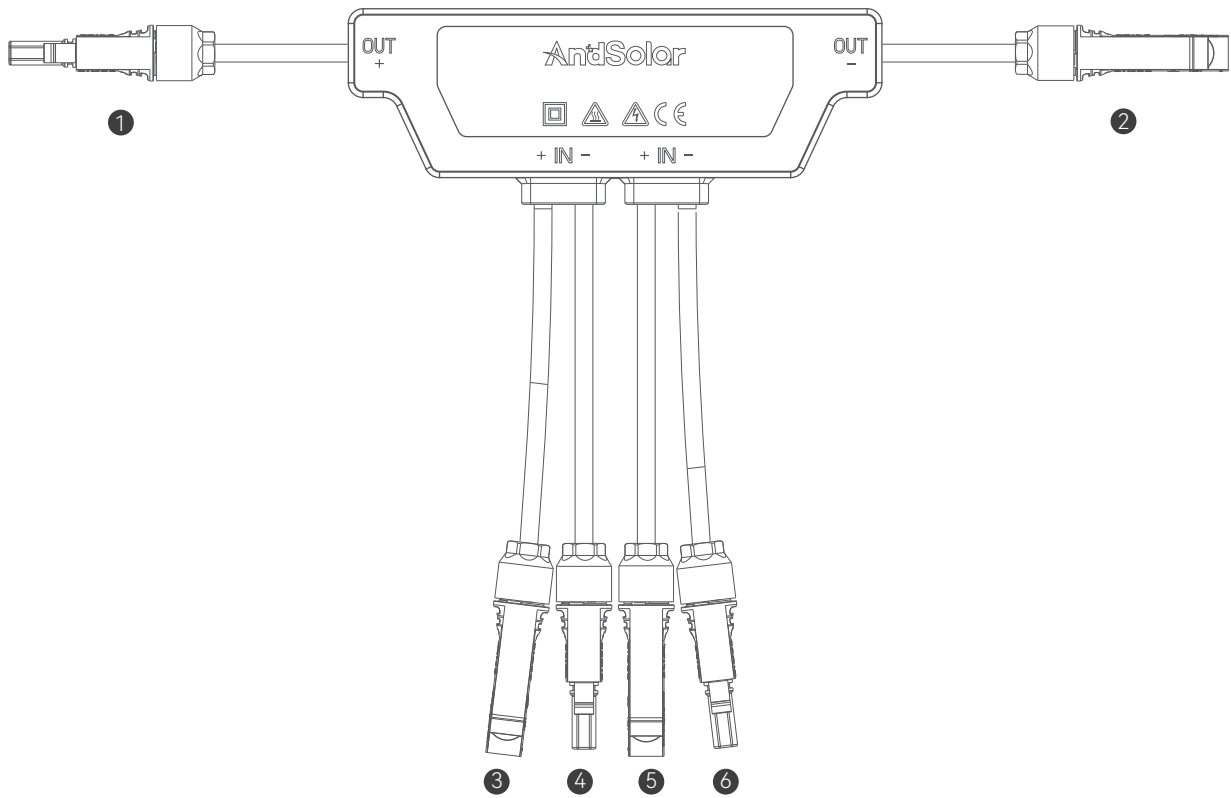
Installation Guide



Please read this guide carefully before installation and use

Please follow the precautions in the installation guide

1 Product introduction

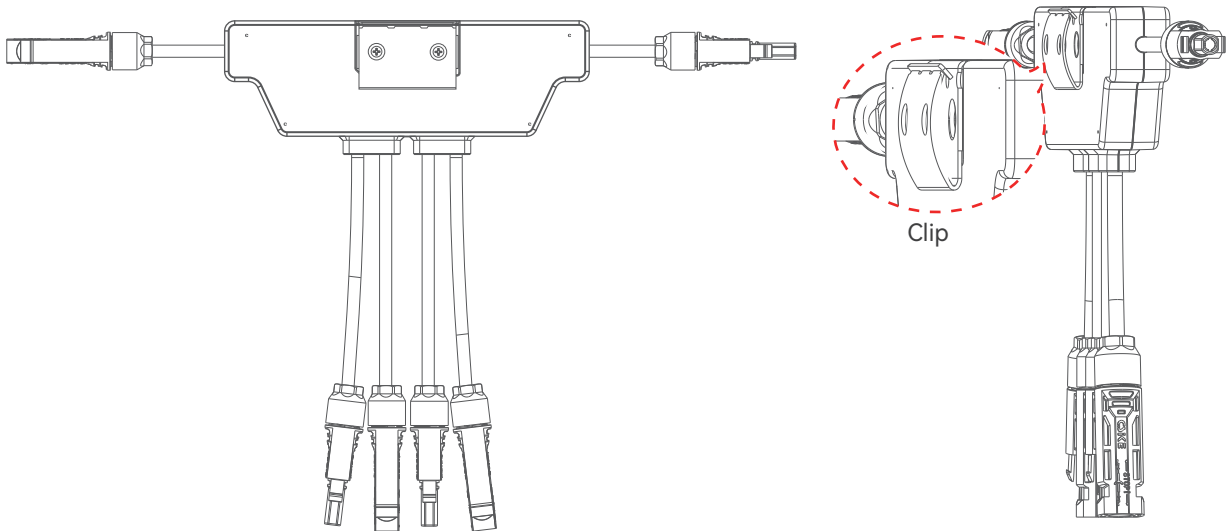


(AMCL Smart Rapid Shutdown)

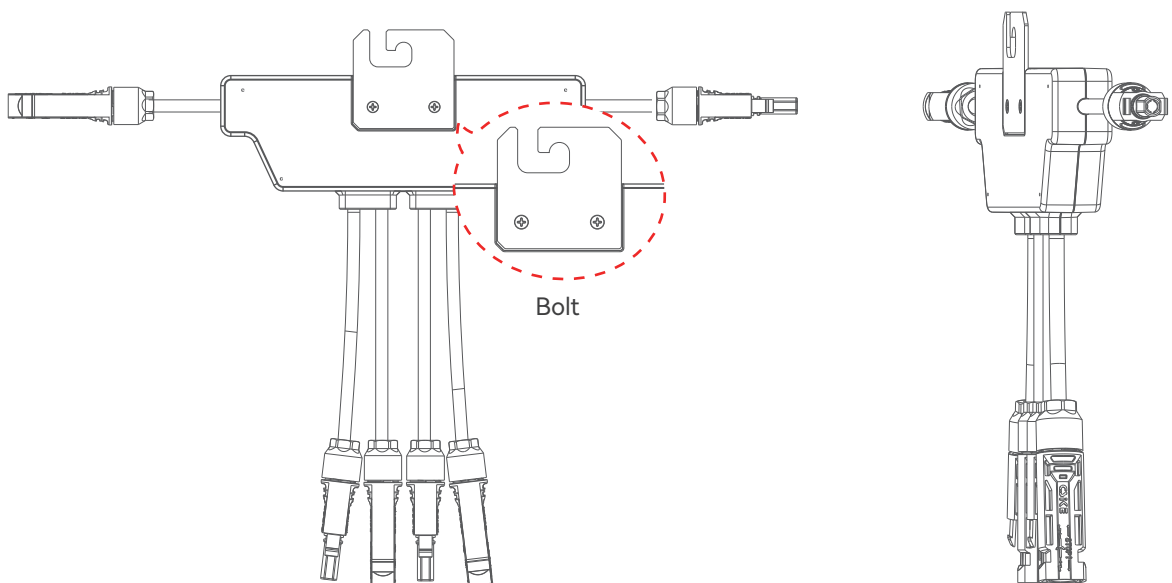
- ① Output terminal - positive pole
- ② Output terminal - negative pole
- ③ Input terminal - positive pole 2
- ④ Input terminal - negative pole 2
- ⑤ Input terminal - positive pole 1
- ⑥ Input terminal - negative pole 1

2 Installation method

Method 1: Clip installation

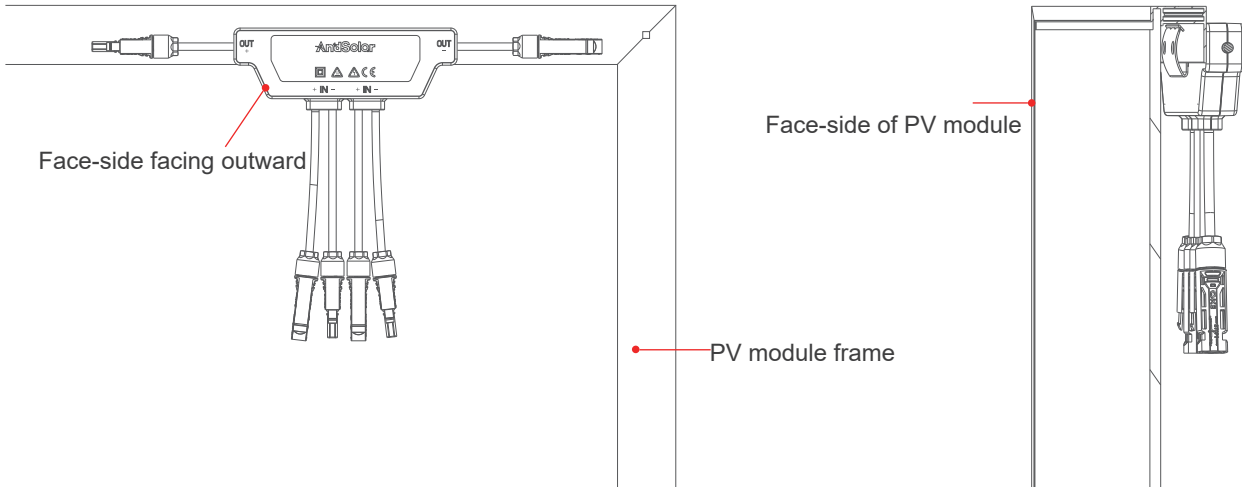


Method 2: Bolt installation

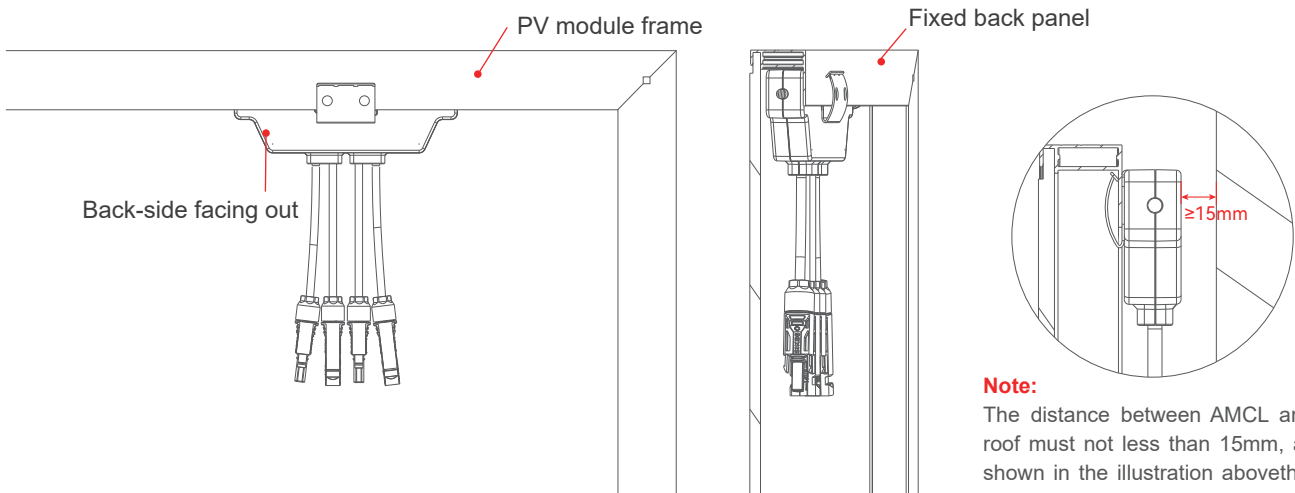


3 Clip installation

Method 1 (recommended): Install AMCL on the PV module frame with the AMCL facing outward



Method 2: Install AMCL on the PV module frame with the AMCL facing inwards.

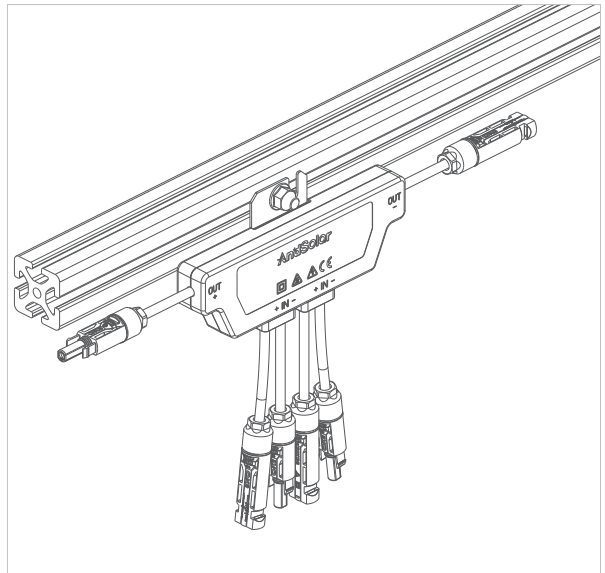
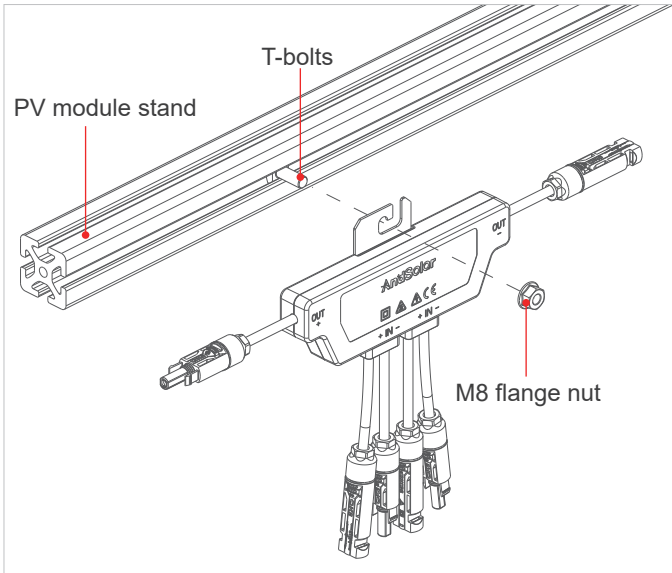


Note:

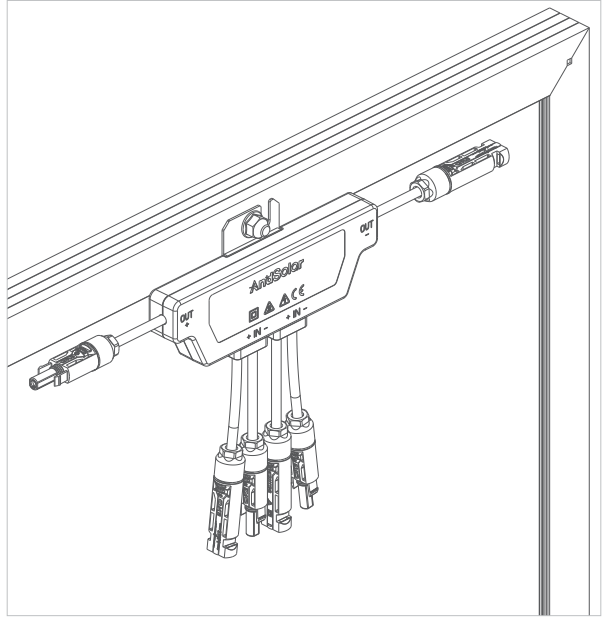
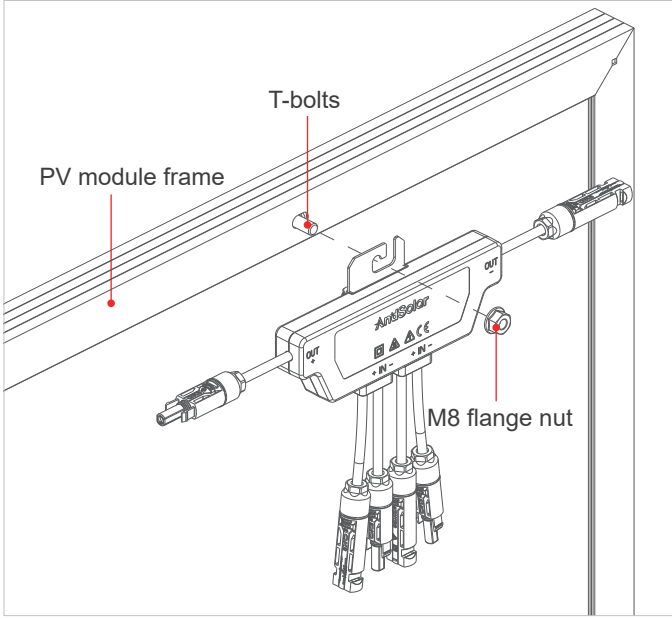
The distance between AMCL and the roof must not less than 15mm, as per shown in the illustration above the roof must not less than 15mm, as per shown in the illustration above.

4 Bolt installation

Method 1: Install on the PV module stand using T-bolts

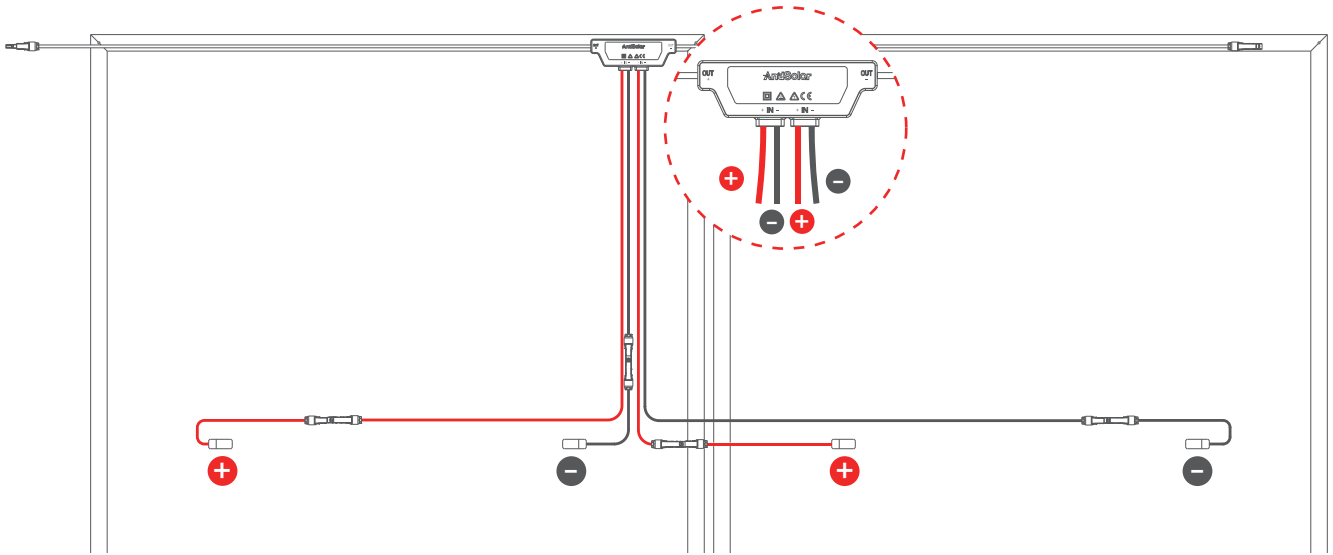


Method 2: Install on the PV module frame

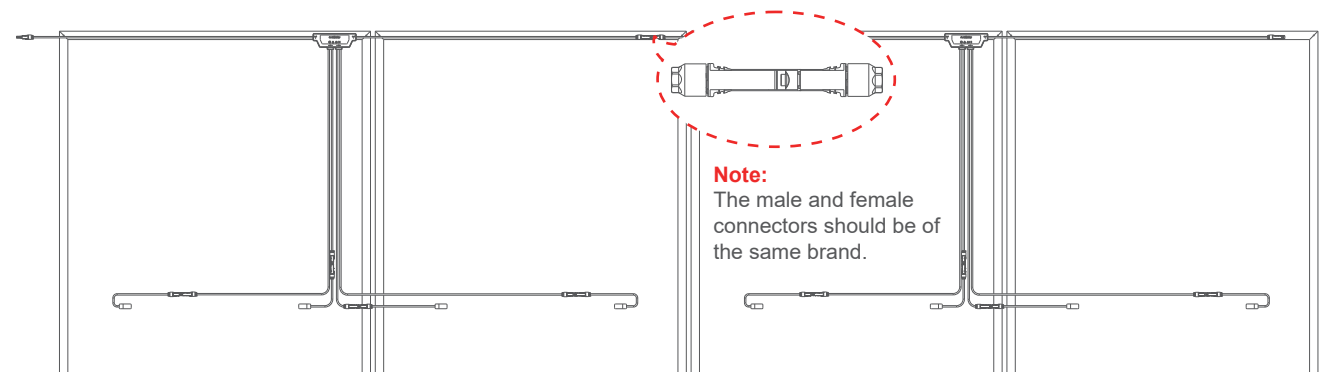


5 Cable installation

Step 1: Connect AMCL and photovoltaic module cables



Step 2: Connect two adjacent AMCL output ports in series



Precautions:

- 1、 Please do not short-circuit the AMCL output port, otherwise it will damage the AMCL;
- 2、 When installing AMCL, please first connect the PV modules to the AMCL input port, and then connect the output ports of two adjacent AMCLs in series;
- 3、 If you need to disconnect AMCL, please disconnect the adjacent AMCL output port first, and then disconnect the input port of AMCL and photovoltaic module;
- 4、 If you need to connect the AMCL to a single PV module, you need to connect the PV module to the input 1 (PV 1) port of AMCL, and connect the positive and negative pole of the other input port (PV 2) directly into each other;
- 5、 Do not use AMCL with different types of DC connectors, otherwise it may cause damage to AMCL and this damage is not covered by the warranty.

AndSolar

AndSolar Technology Co., Ltd.

📍 Global Headquarters: 8F, Block B, Building 1, 286 Qinglonggang Road,
Suzhou City, Jiangsu Province, P. R. China

☎ +86-512-8718 7881

🌐 www.andsolartech.com

✉ sales@andsolartech.com