

Product Parameters

Model	AMCL-A2	AMCL-B2	AMCL-C2
Input Parameters			
Voltage range	8-80V Single-channel, 120V Dual-channel		
Maximum Rated Current	15A	20A	25A
Maximum Short-Circuit Current	30A		
Output Parameters			
Voltage Range	8-120V		
Maximum System Voltage	600/1000/1500V		
Maximum Rated Current	15A	20A	25A
Maximum Voltage in Disconnect State	1V		
Structure Parameters			
Dimensions (W*D*H)	180*23*70mm		
Input/Output Connectors	MC4/compatible with MC4/customizable		
Input Cable Length	0.6m/customizable		
Output Cable Length	1.4m/customizable		
Ingress Protection Rating	Type 6P/IP68		
Environment Parameters			
Temperature Range	-40 C~+85 C		
Relative Humidity Range	0~100%		
Other Parameters			
Communication Method	HPLC		
User Interface	WEB+APP		
Certification			
Safety	NEC 2017&2020(690.12), UL1741, UL 3741, IEC 62109-1		
EMC	FCC Part15, IEC/EN 61000-6-1/-2/-3/-4		

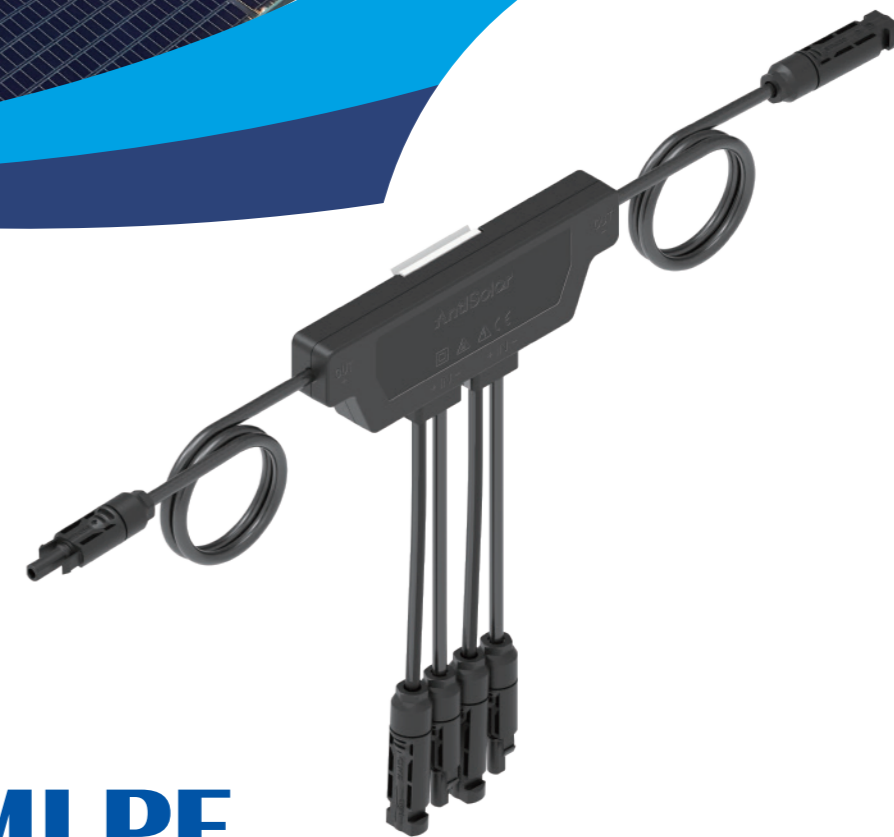
Product Function

	Features	AndSolar Smart RSD	Traditional RSD
Basic Functions	Module-level Rapid Shutdown	✓	✓
	Active Fire Protection System	✓*	✗
	Max. Input Current	25A	15A
	Max. PV Module Power Rating	700W+	<600W
	Max. Communication Distance	800m	300m
	Installation Method	Multiple options	Single option
Data Monitoring**	Monitoring Level	Module-level	Transmitter-level
	Module-level Data Monitoring	✓	✗
	Graphical Data Display	✓	✗
	Output Curve Analysis	✓	✗
	Fault Alert	✓	✗
	Faulty Module/ Accessories Positioning	✓	✗
	Shutdown Methods	On-Site/ Remote Shutdown Auto Shutdown	On-Site
Smart Applications***	Remote Upgrade (OTA)	✓	✗
	Module Smart Positioning	✓	✗
	Module-level Management	✓	✗
	PV System Losses Analysis	✓	✗
	PV System Troubleshooting	✓	✗
	O&M Strategy Recommendation	✓	✗
	Full PV Asset Lifecycle Management	✓	✗

* Auto shutdown when abnormal temperature detected, future OTA would enable Arc Fault Circuit Interrupter(AFCI) feature, allowing multi-dimensional protection
 ** These features are only available to Smart RSD with monitoring function
 *** These features are only available to Smart RSD with monitoring function, part of these features would be enabled through future OTA updates

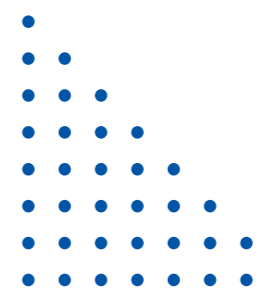


AndSolar



MLPE SMART RSD

Smart Rapid Shutdown Device



AndSolar

AndSolar Technology Co., Ltd.

+86-512-8718 7881

8F, Block B, Building 1, 286 Qinglonggang Road, Suzhou City, Jiangsu Province, P. R. China

www.andsolartech.com

sales@andsolartech.com

©2024 AndSolar Technology Co., Ltd. All right reserved

Product Features

Smart Rapid Shutdown Device



And Safe

- Active protection system to prevent fire accident
- Compliance with NEC 2017&2020(690.12) requirements



And Smart

- Module-level monitoring, supports remote fault diagnosis, reduces O&M cost
- Module-level management, supports remote control, reduces power generation losses



And Flexible

- Max. communication distance 800m, meeting various type of constructions
- Flexible installation, with clip or bolt installation methods available



And Reliable

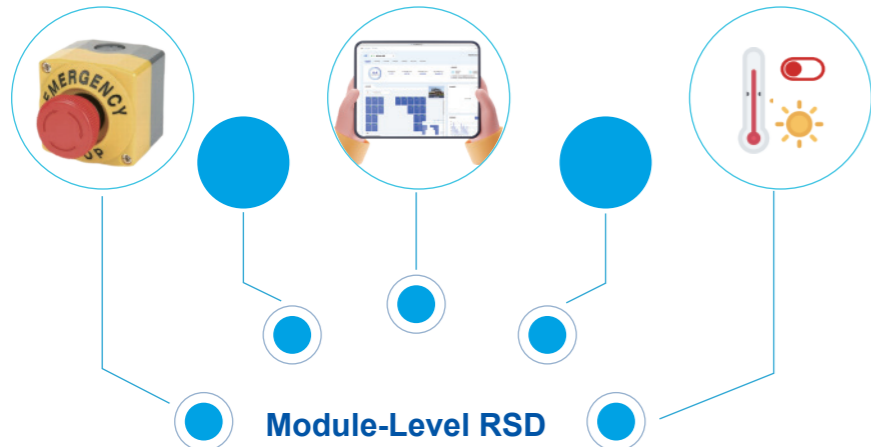
- Meet UL 1741, UL 3741, IEC 62109-1, IEC 61000 standard and IP68 protection level
- Long warranty enhances investment returns

AND SAFE



Various Shutdown Methods

On-site manual shutdown APP Remote Shutdown High Temperature Auto Shutdown

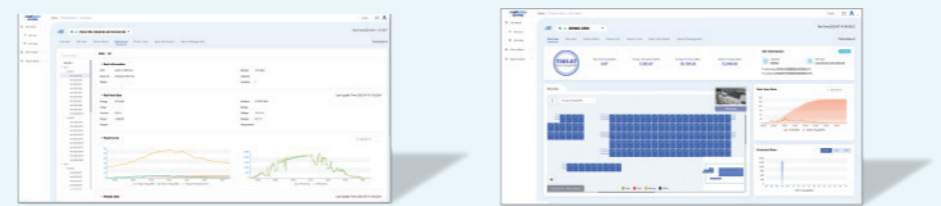


Module-Level RSD

AND SMART

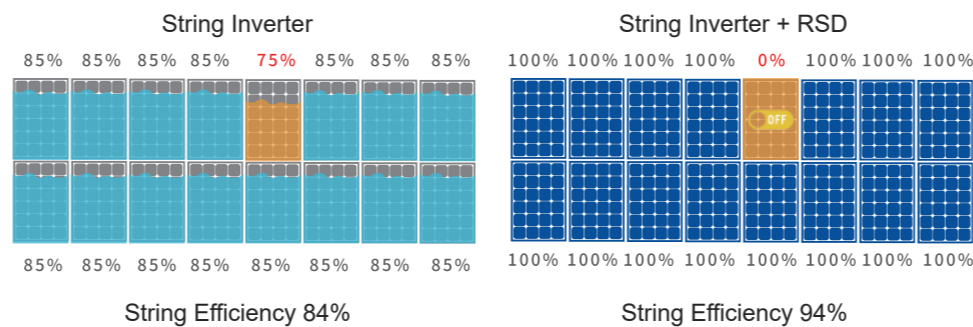


Module-level Monitoring

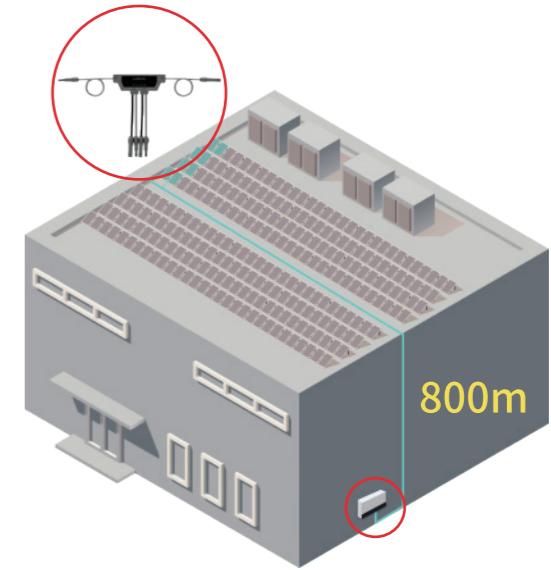


Module-level comprehensive monitoring, which display real time voltage, current, temperature, power, etc.

Module-level Management



AND FLEXIBLE



Max. Communication Distance from RSD to Transmitter

Flexible Installation

Bolt Installation



Clip Installation



AND RELIABLE

