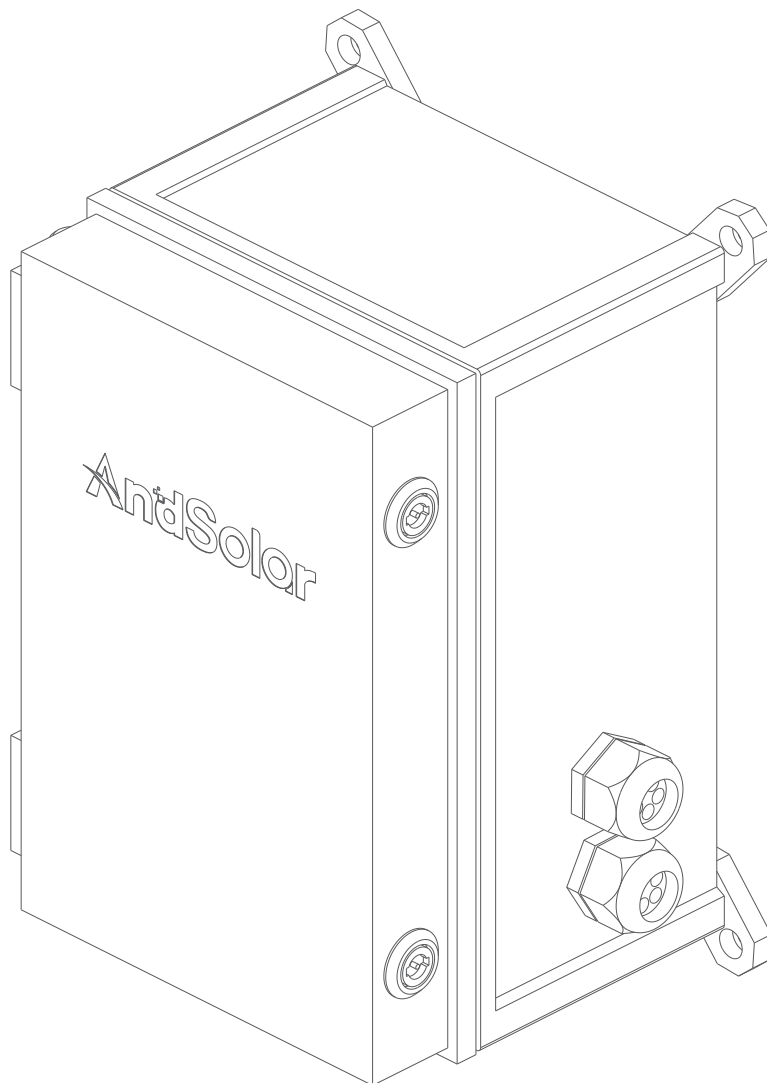


ADCU Outdoor Kit

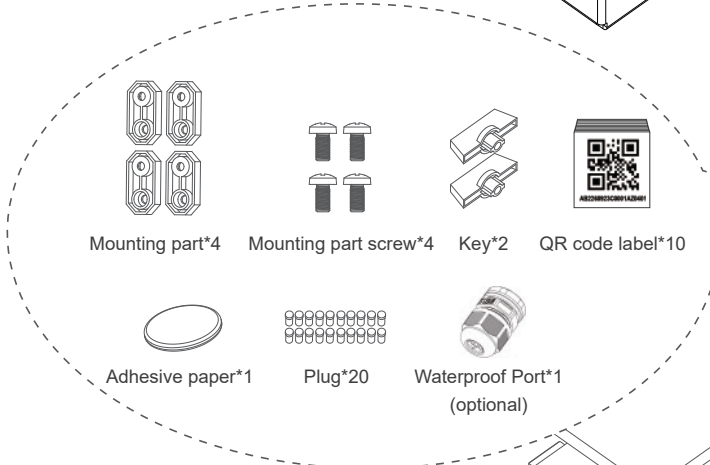
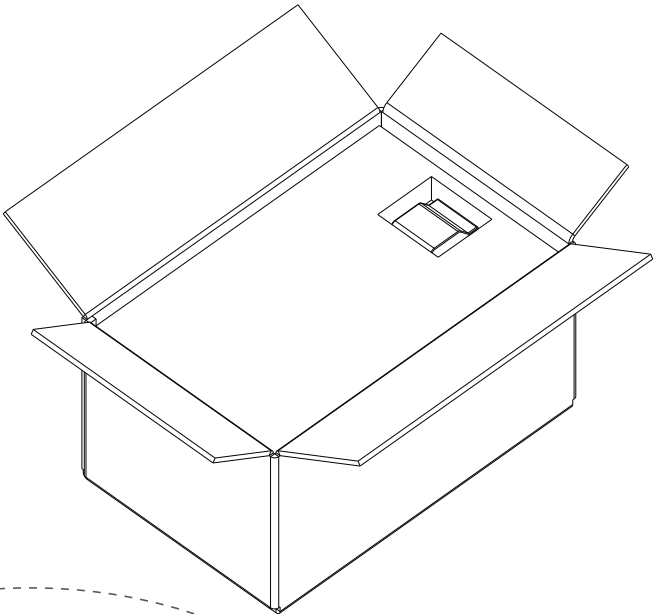
Installation Guide

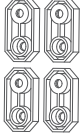


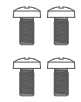
Please read this guide carefully before installation and use

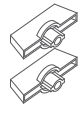
Please follow the precautions in the installation guide


1 Packing list





- 


Mounting part*4
- 

Mounting part screw*4
- 

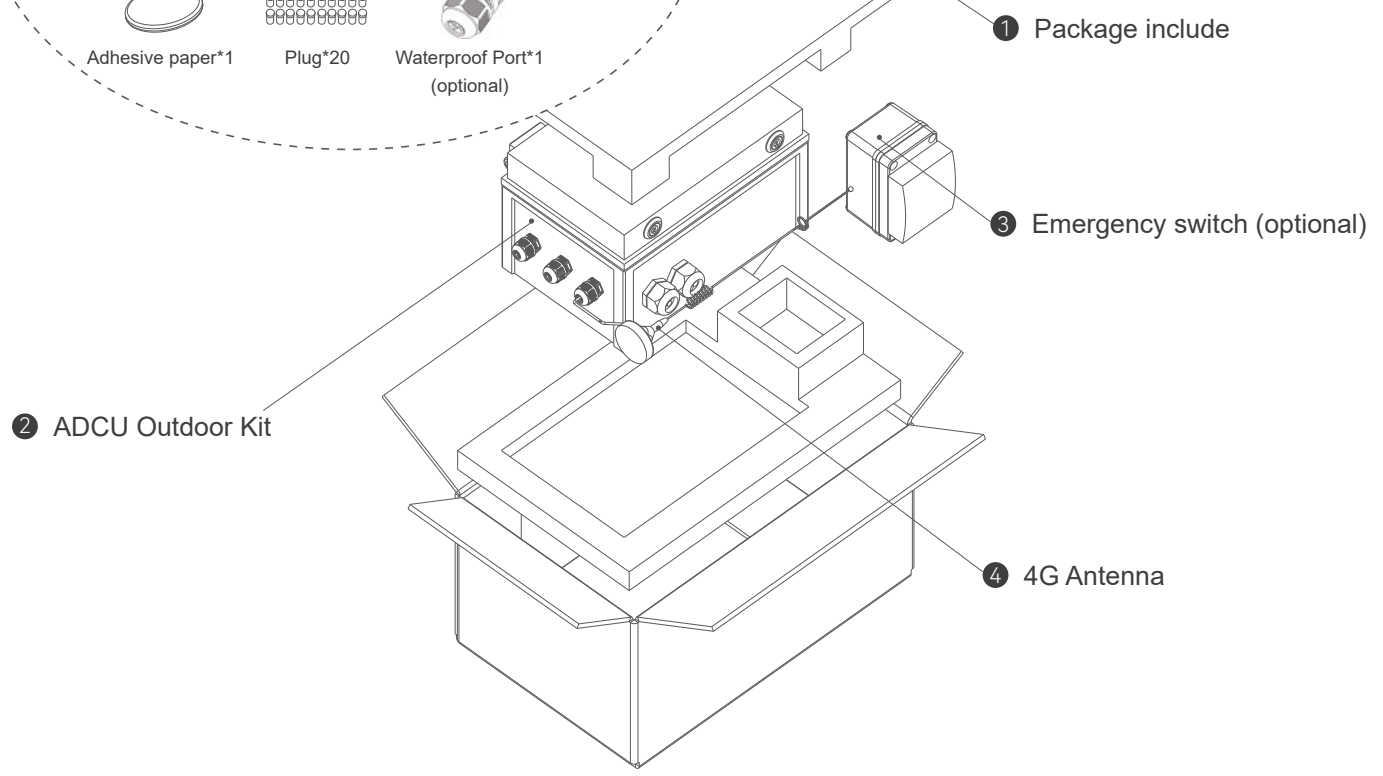
Key*2
- 

QR code label*10
- 

Adhesive paper*1
- 

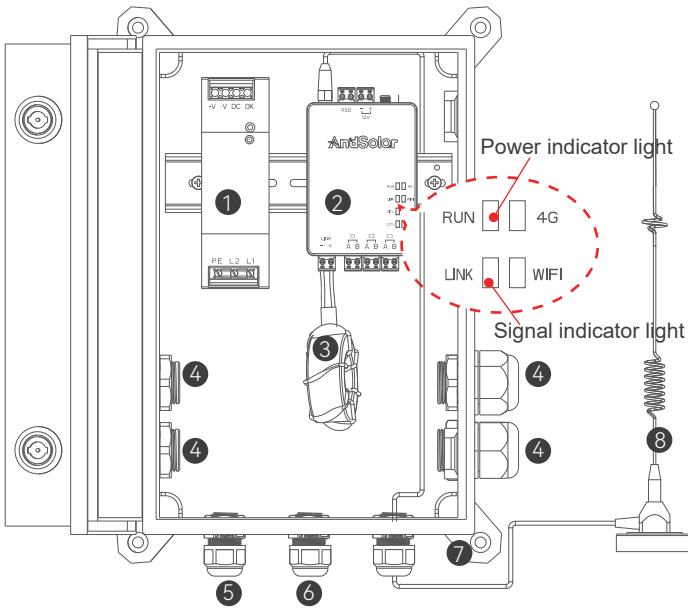
Plug*20
- 

Waterproof Port*1
(optional)



2 ADCU Outdoor Kit Introduction

1、Components

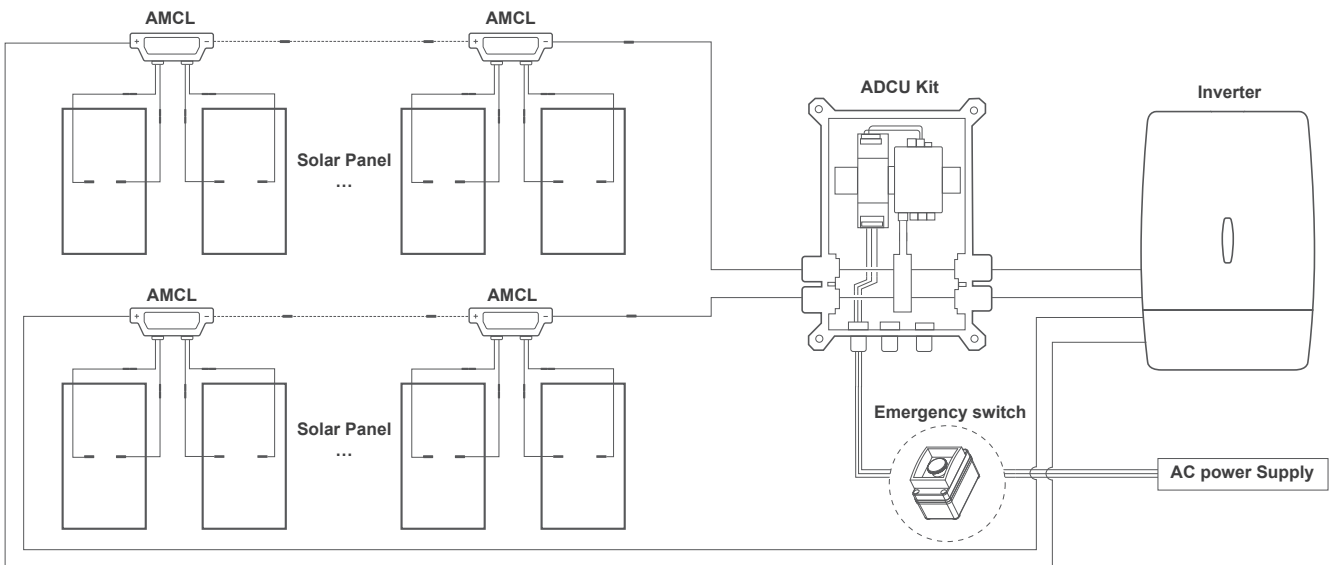


- ① 12V Power Supply ④ Waterproof Port 1 ⑦ Mounting part
- ② ADCU ⑤ Waterproof Port 2 ⑧ 4G Antenna
- ③ Magnetic Ring ⑥ Waterproof Port 3

Note:

1. Data Central Unit (ADCU) is part of rapid shutdown solution to be paired with AMCL Smart RSD units, a PV module-level RSD unit;
2. While powered on, ADCU sends the power and signals to AMCL units to keep their PV modules connected and supply the energy. When switched off, ADCU will turn off, and AMCL units will automatically disconnect the connection between PV modules and DC system. When the power is restored to ADCU, AMCL will resume the PV module operation.
3. This solution complies with NEC 2017&2020(690.12) specifications.

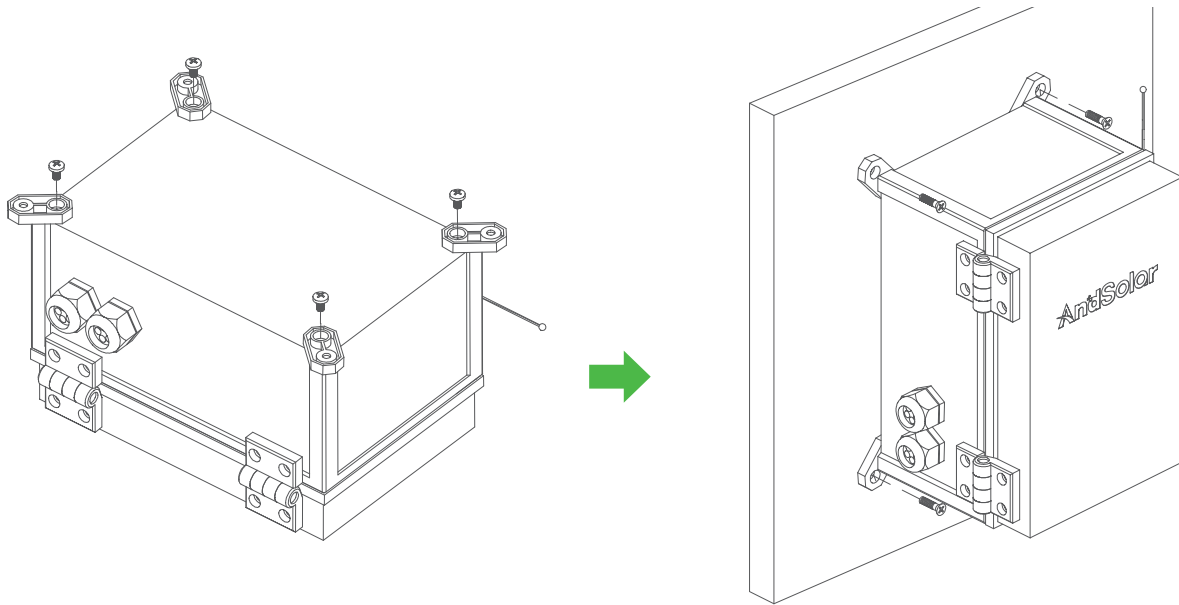
2、System Topology



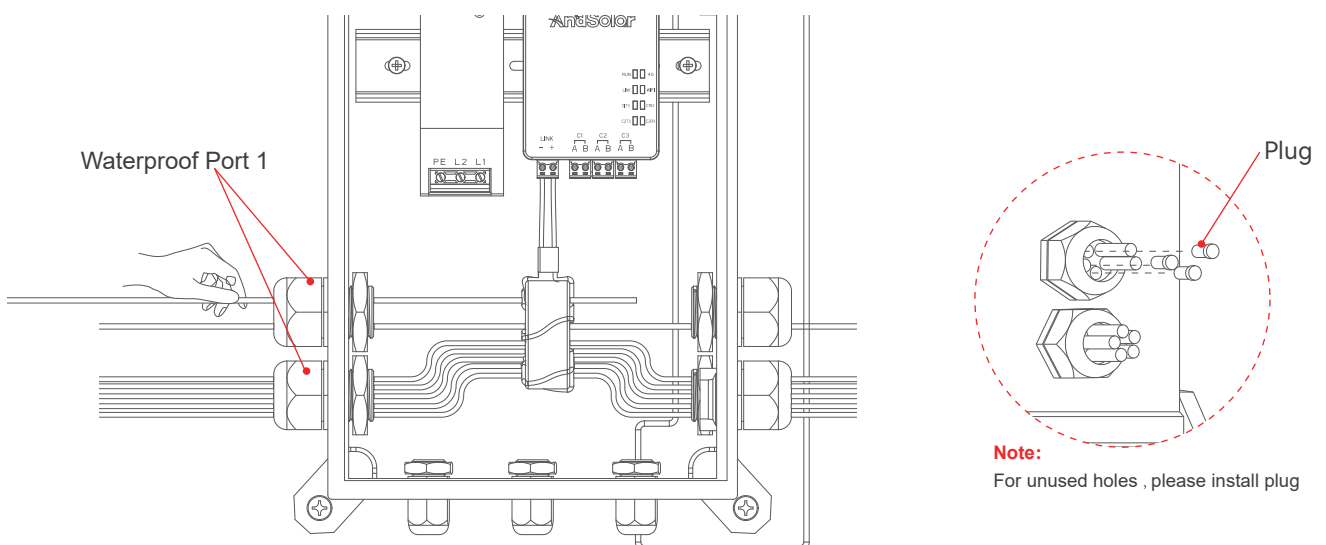
- Note:**
- 1、 The emergency switch is optional and can be self prepared
 - 2、 In the case of multiple ADCUs are being used in the same power station, only one emergency stop switch should be used

3 ADCU Outdoor Kit Installation

Step1: Fixed the mounting part on the four corner of the back of ADCU and install it to the wall or install it on the bracket

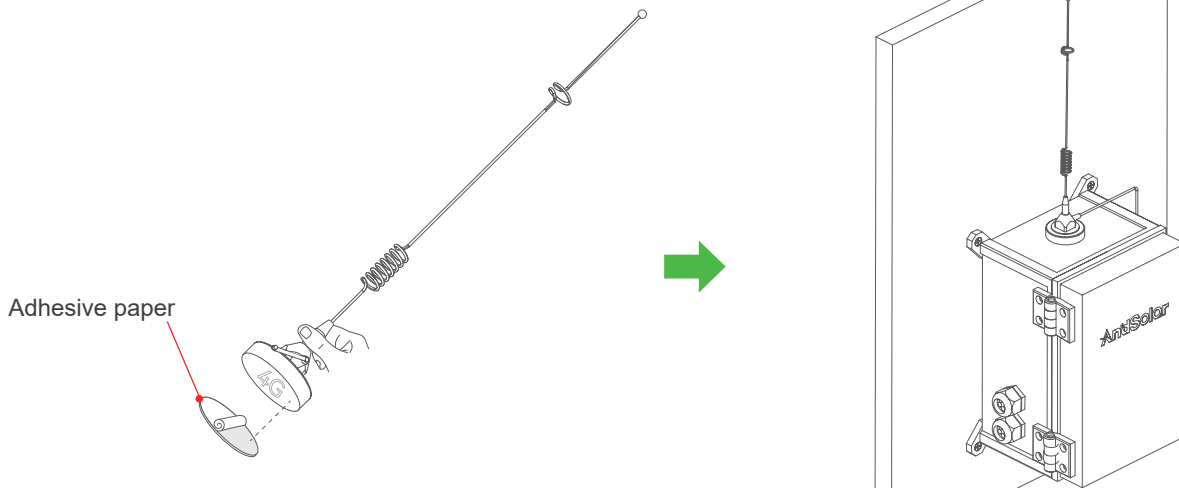


Step 2: Pass the negative DC cable through the waterproof port 1 and through the magnetic ring then connect it to the inverter, Connect the positive DC cable directly to the inverter



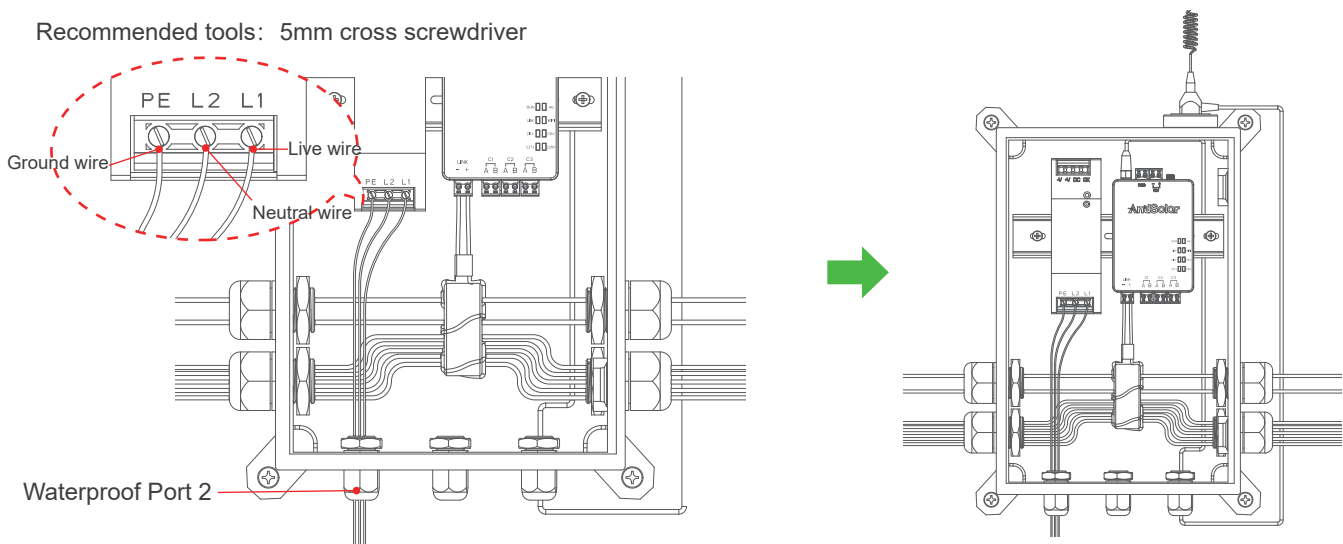
3 ADCU Outdoor Kit Installation

Step 3: Tear the adhesive paper, attach the paper to the 4G antenna base, and then secure the 4G antenna to the top of the ADCU Outdoor Kit



Step 4: Pass the AC power cable through the waterproof port 2 and connect it to the input port of the 12V power supply switch

Recommended tools: 5mm cross screwdriver



Note:

1. Please install the AMCL first, before supplying power to ADCU;
2. When the system is running normally, the power indicator light is always on, and the signal indicator light is flashing. If the ADCU malfunctioning, the signal indicator light will be turned off. If the power indicator light is turned off, please check whether the power supply is malfunctioning;
3. Maximum no. of strings input to single magnetic ring: 10 (cable diameter 6.35mm);
4. Single magnetic ring maximum current: 250A;
5. The maximum communication distance between AMCL and ADCU : 800M;
6. Recommended ADCU power supply cable: 1.5 mm² cable;
7. PV Strings connected to one MPPT of an inverter should be connected to the same ADCU.

AndSolar

AndSolar Technology Co., Ltd.

📍 Global Headquarters: 8F, Block B, Building 1, 286 Qinglonggang Road,
Suzhou City, Jiangsu Province, P. R. China

☎ +86-512-8718 7881

🌐 www.andsolartech.com

✉ sales@andsolartech.com