



User Manual

Smart PV Optimizer System



Table of Contents

Preface	3
Disclaimer	4
1. Precautions	5
1.1. Marking Definitions	5
1.2. General Notes	5
1.3. Environment Requirements	6
1.4. Storage Instructions	7
1.5. Unboxing and Inspection	7
1.6. Product Installation	8
1.7. AMCP Electrical Connection Precautions	8
1.8. Operation	9
1.9. Maintenance and Replacement	9
2. Product Introduction	10
2.1. Smart PV Optimizer	10
2.2. Gateway ADCU Kit	11
3. System Topology Diagram	11
4. AMCP Installation	12
4.1. Product Introduction	12
4.1.1 Multi-directional Installation Function	13
4.2. Installation Method	14
4.2.1. Installation by Clip	14

4.2.2. Installation by Bolt.....	14
4.3. Cable installation	15
4.3.1. Cable Connection Requirements.....	15
4.3.2. Connect AMCP and Photovoltaic Module Cables.....	17
4.3.3. Connect Two Adjacent AMCP Output Ports in Series.....	18
4.4. Paste QR Code onto the Physical Layout Template.....	19
5. ADCU Outdoor Kit Installation.....	20
5.1. Product Introduction.....	20
5.2. Installation Steps.....	21
6. Product Specifications.....	26
6.1. AMCP Parameters.....	26
6.2. ADCU Parameters.....	27

Preface

Dear customer, thank you for choosing the products of AndSolar Technology Co., Ltd.(Hereinafter referred to as “AndSolar”)! Please be sure to read this User Manual carefully before using this product. By reading this manual carefully, you will have a better understanding of the characteristics of this product, correctly use and maintain this product, ensure safe use and give full play to the best performance of this product, so as to obtain the maximum use benefit.

The pictures provided in this manual are for demonstration purposes only. The detailed information varies slightly according to the product version and market region. This manual is compiled based on the status of the product series at the time of production. The product appearance and technical specifications may continue to evolve. After the product is updated, this manual will be revised accordingly without further notice.

To ensure your installation experience and a smooth installation, we recommend that you scan the QR code below for assistance before starting to install this product.



Disclaimer

AndSolar reserves the right to change the product specifications and this user manual without prior notice. It is recommended to refer to the latest products information and documents on AndSolar's official website (www.andsolartech.com). Since the use of this manual and the conditions of product installation, operation, use and maintenance are beyond the control of AndSolar, AndSolar does not assume any responsibility for any losses, damages or expenses caused by installation, operation, use or maintenance. If the device fails due to your negligence, improper use, etc., you will lose the warranty right, any direct or indirect warranty application caused by this will not be accepted by our after-sales service.

AndSolar does not assume any responsibility for infringement of patents and third-party rights that may result from the use of smart PV optimizer AMCP (hereinafter referred to as "AMCP" or "optimizer") products, smart rapid shutdown AMCL (hereinafter referred to as "AMCL" or "RSD") products, and gateway ADCU (hereinafter referred to as "ADCU" or "gateway") products. Customers do not obtain any patent or patent right authorization, whether express or implied, by using AndSolar products. The information in this manual is based on AndSolar's knowledge and experience that is considered reliable, but such information and related suggestions, including but not limited to the above product specifications, do not constitute any warranty terms, whether express or implied.

The copyright of this manual belongs to AndSolar Technology Co., Ltd. It shall not be disseminated in electronic, mechanical recorded or any other way without the permission and authorization of our company.

1. Precautions

1.1. Marking Definitions

⚠ Danger

Indicates that it may trigger high-voltage electric shock or discharge accidents, which may cause serious harm to the human body and property, such as causing personal injury or death or fire accident.

⚠ Warning

Indicates that it may trigger a high-voltage electric shock or discharge accident, which is moderately harmful to the human body and property, such as causing a brief electric shock to a person or partially damaging asset.

⚠ Notice

Indicates practice that might damage the optimizer product, or products that are electrically connected to the optimizer.

Attention

Indicates important information about the product. Failure to comply may result in rework or failure to fully function properly.

1.2. General Notes

This manual contains important instructions for the installation and maintenance of the product smart PV optimizer AMCP and gateway ADCU. Please read all instructions and warning signs before installing or using the AMCP system. Failure to follow the instructions or warnings in this manual may result in personal injury or death, damage to the system, and void the warranty.

⚠ Danger

Please perform all electrical installations in accordance with local codes.

When working on site, please ensure that you wear the correct protective gear.

Do not attempt to perform installation, maintenance, replacement or other on-site operations in inclement weather.

⚠ Warning

To reduce the risk of injury, read all instructions

If there is physical damage on the surface of the AMCP, do not operate it directly. Check whether the existing cables and connectors are normal. Do not operate if the wiring or connectors are damaged.

⚠ Notice

Installation must be performed by trained professionals. AndSolar is not responsible for product failure or damage caused by incorrect operation, installation or improper use.

Attention

The design and installation of the PV system and PV strings must comply with the relevant requirements of the selected inverter, otherwise it may cause malfunction or failure of the AMCP.

If AndSolar AMCL and AMCP products are installed in the same system, please ensure that all PV modules connected to the same MPPT of the inverter are connected to only the same type of products. Using multiple types of products under the same inverter MPPT may cause malfunction or failure of the product.

In the same system, other brands of rapid shutdown devices, optimizers or other types of photovoltaic module-level power electronics (MLPE) products should not be used at the same time, otherwise it may cause malfunction or failure of the product.

PV strings connected to the same MPPT shall use modules of the same model and quantity.

1.3. Environment Requirements

(1) Do not place the device in flammable or explosive environments. Any

operation under such conditions is strictly prohibited.

- (2) Do not store the device near open flames or heat sources such as heaters, fire, or other heating equipment. Exposure to heat may damage the device or cause a fire.
- (3) Install the device away from areas with liquids. Do not install the device beneath air outlets, water pipes, or any areas prone to condensation. Avoid installation under air conditioning vents, exhaust outlets, or any locations where water leakage may occur, to prevent liquid from entering the device and causing malfunction or short circuits.
- (4) Do not install the device in environments with direct sunlight, smoke, dust, corrosive gases, volatile gases, organic solvents, excessive salinity, or radiation such as infrared rays.
- (5) Do not install the device in environments containing conductive metallic dust or magnetic dust.
- (6) Do not install the device in locations where it may be submerged in water.

1.4. Storage Instructions

- (1) The storage area should be kept dry to prevent moisture, direct sunlight, and ensure proper waterproof(rainproof) protection.
- (2) Do not place or stack any other items on top of the packaging boxes.
- (3) Products should be arranged neatly with sufficient safety clearance.

1.5. Unboxing and Inspection

Warning

Check all safety signs and product labels to ensure they are clearly visible and not obscured.

After unpacking, check whether the AndSolar smart PV optimizer product (AMCP) is damaged and whether it is the product model ordered. If you find the above problems, do not proceed with the installation and contact customer service immediately.

1.6. Product Installation

⚠ Danger

Please perform all electrical installation in accordance with local electrical codes.

Ensure that no electrical connections are made prior to product installation.

Before completing the installation of all AMCP products, please ensure that all ADCU products remain uninstalled or powered off, and that PV strings are not connected to the inverter.

Do not attempt installation in unfavorable weather.

1.7. AMCP Electrical Connection Precautions

⚠ Notice

Please pay attention to the following matters in this section when making electrical connections of AMCP, otherwise it may cause damage to the AMCP product and void the official warranty.

- (1) Please do not short-circuit the AMCP output port, otherwise AMCP will be damaged.
- (2) When installing AMCP, please first connect the PV modules to the AMCP input port, and then connect the output ports of two adjacent AMCP in series. Please do not use the AMCP input or output port incorrectly, such as connecting PV modules to the output of AMCP or connecting the input port of AMCP to the string DC line; If the AMCP is damaged due to incorrect wiring, this is not covered by the AndSolar warranty.
- (3) If you need to disconnect AMCP, please disconnect the adjacent AMCP output port first, and then disconnect the input port which connect AMCP to PV module.
- (4) Do not use AMCP with different types of DC terminals, otherwise it may cause damage to AMCP and this damage is not covered by the warranty.
- (5) Before disconnecting the AMCP wiring, please use a clip-on ammeter to confirm that AMCP is in a no-current state.(After disconnecting the PV

system power supply, the capacitors inside the inverter may remain charged for several minutes. If it is necessary to check or disconnect the system wiring, first measure the voltage at the inverter input terminals to confirm that the capacitors have been fully discharged before disconnecting the connections. When the system enters the rapid shutdown state, wait until the current has completely dropped to a safe level before disconnecting the PV string DC wiring or switching off the DC circuit switch.)

- (6) When AMCP is not connected to other devices, do not expose its terminals to direct sunlight or rain.

1.8. Operation

⚠ Danger

When the product is working, it is prohibited to plug or unplug any connectors on the product.

When the product is running, please do not disassemble any parts, as there is a risk of electric shock.

⚠ Warning

Please do not touch the product's surface when it is working to prevent burns.

1.9. Maintenance and Replacement

⚠ Warning

If there is physical damage on the surface of the AMCP, do not operate it directly. Check whether the existing cables and connectors are normal. Do not operate with damaged wiring or connectors before ensuring the system is safely shut down, as this may result in electric shock.

Do not remove the casing, disassemble, or attempt to repair the product. This product contains no user-serviceable parts. In case of failure, please contact AndSolar after-sales service. Unauthorized disassembly or damage to the product will void the warranty.

▲ Notice

When replacing an AMCP, please disconnect the adjacent AMCP output first. Before that, do not disconnect the PV module from the AMCP.

Attention

To ensure the continuous and reliable operation of the rapid shutdown function, please perform periodical shutdown test (one test per month is suggested) to verify the normal functioning of the system shutdown capability. The test can be executed either by triggering the on-site emergency switch or by issuing a remote shutdown command through the cloud platform.

The installer team can put plastic or stainless steel casing on the photovoltaic wires to protect the insulation layer on the surface to protect it from accidental damage.

2. Product Introduction

2.1. Smart PV Optimizer AMCP



- (1) Module-level optimization improves system power generation efficiency.
- (2) Compliance with NEC 2017/2020/2023(690.12) requirements.
- (3) Rapid Shutdown Method : Manual shutdown by emergency switch, App remote shutdown, high temperature automatic shutdown.

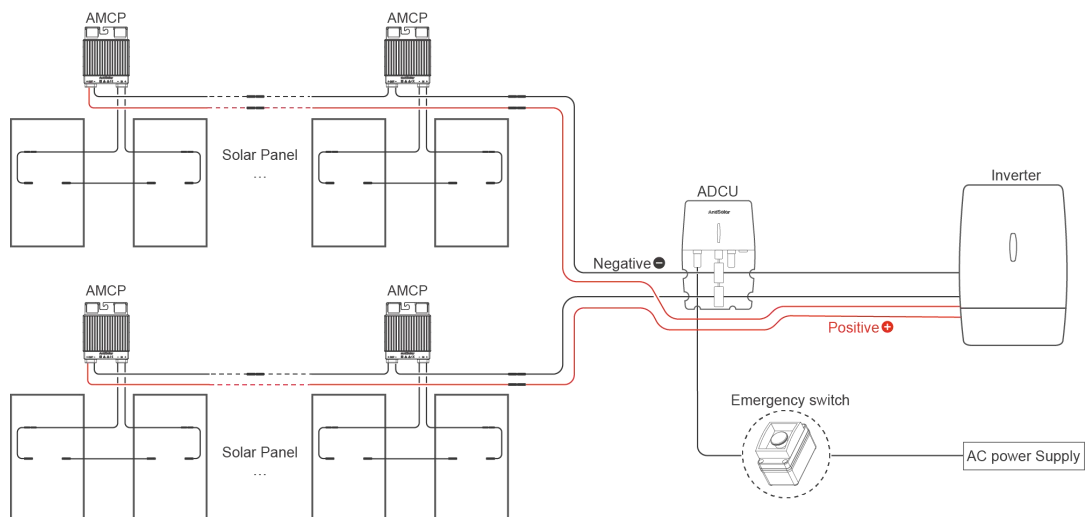
- (4) Module-level data monitoring: module voltage, current, power, equipment temperature, etc.
- (5) Bi-directional HPLC for high-speed communication.

2.2. Gateway ADCU Kit



Gateway (ADCU) kit is used in conjunction with the smart PV optimizer AMCP. When the power is turned on, the AMCP is controlled or monitored by the ADCU, and the PV modules are connected to the AMCP. When the power is switched off, the ADCU will turn off, and the AMCP will automatically shutdown the connection between PV modules and DC system. When the ADCU resumes operation, the AMCP starts and resumes module access. This solution complies with NEC 2017/2020/2023 (690.12) specifications.

3. System Topology Diagram



4. AMCP Installation

⚠ Danger

Please ensure that there are no electrical connections before installing the product.

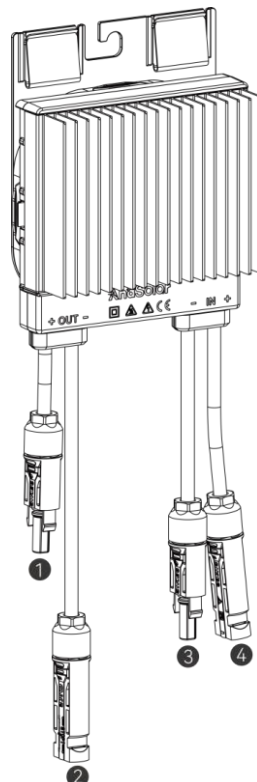
Do not attempt installation in unfavorable weather.

Attention

Before installing the product, confirm that the installation tools used are available and within the maintenance cycle.

Installation, operation and maintenance must be performed by trained professionals. AndSolar is not responsible for product malfunction or damage caused by improper operation, installation, maintenance or improper use.

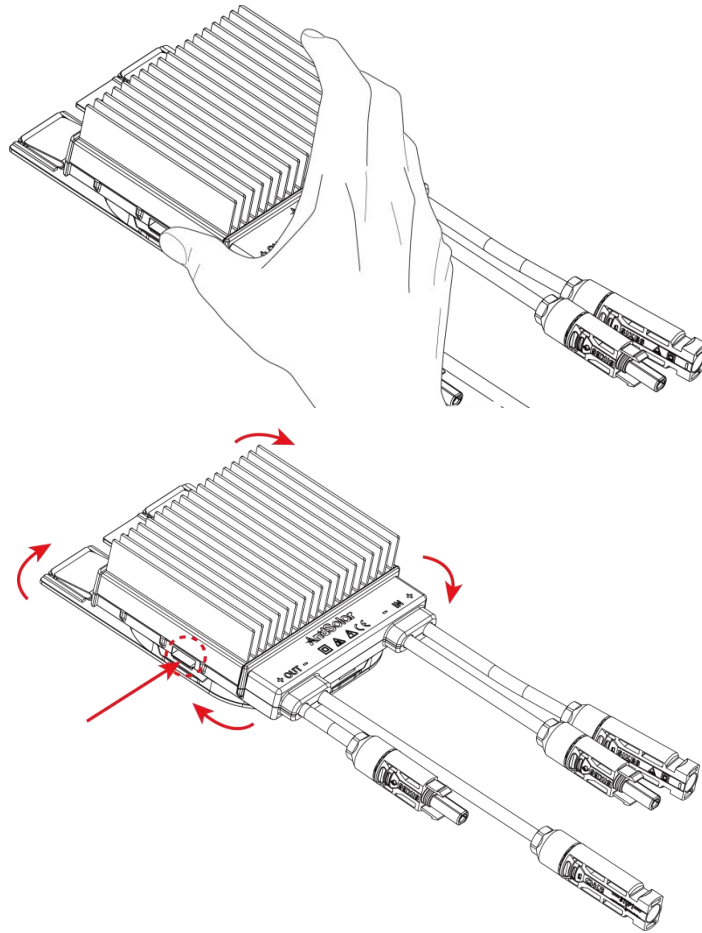
4.1. Product Introduction



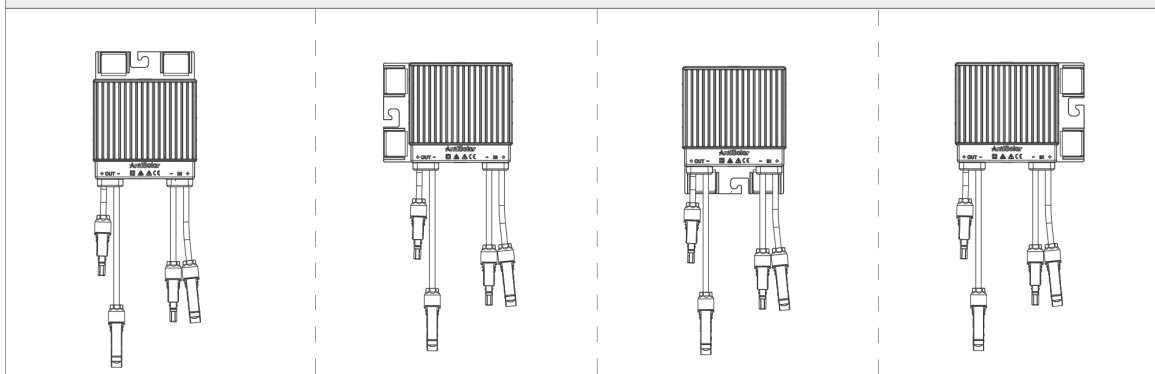
Product Introduction

- | | |
|------------------------------|----------------------------|
| ① Output terminal - positive | ③ Input terminal -negative |
| ② Output terminal - negative | ④ Input terminal -positive |

4.1.1 Multi-directional Installation Function

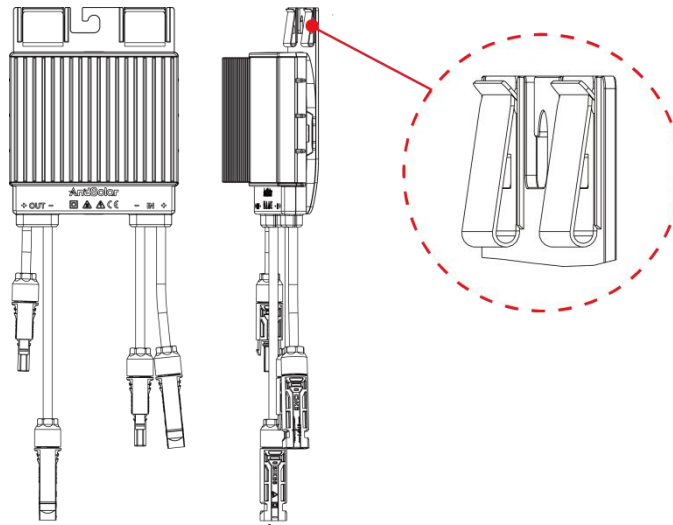


The first four-way rotatable installation design, saving wires and avoiding 180-degree bending

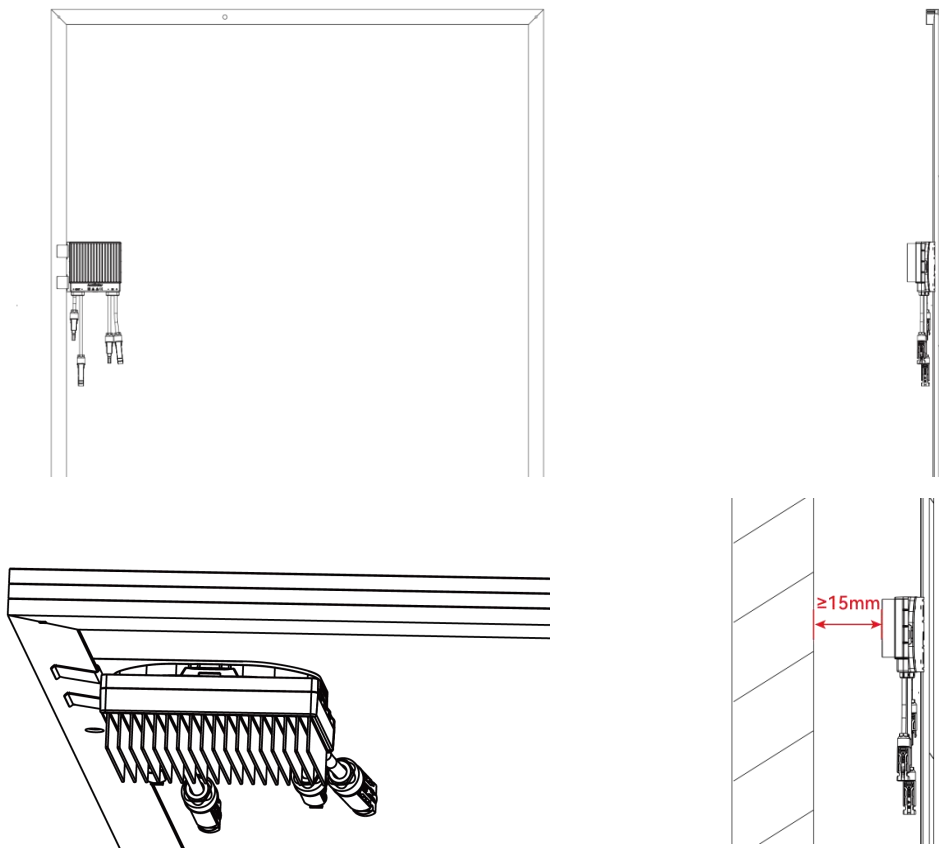


4.2. Installation Method

4.2.1. Installation by Clip

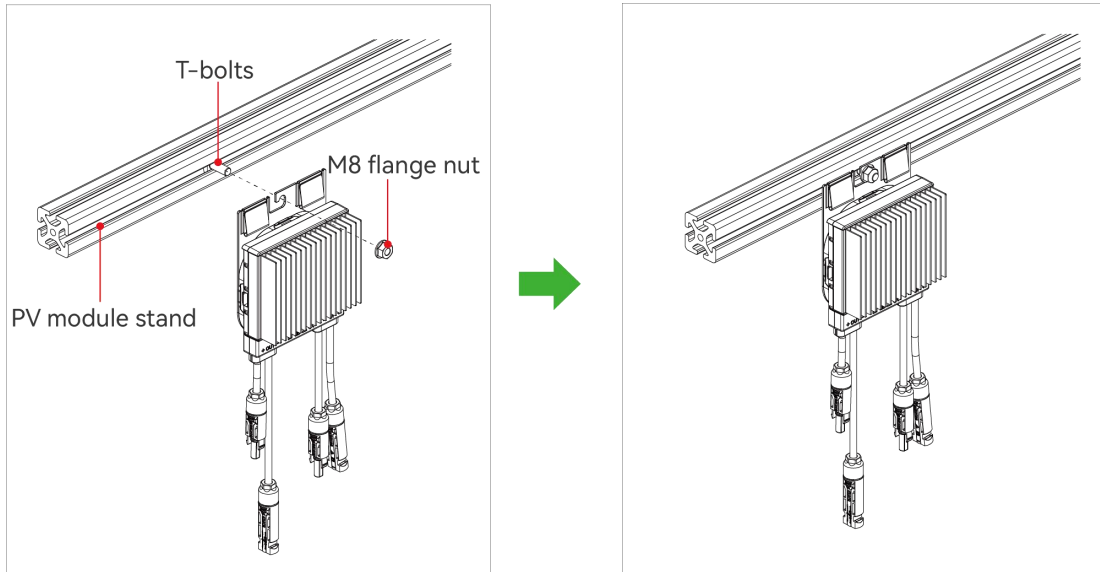


Install AMCP on the PV module frame with the AMCP facing outward.



4.2.2. Installation by Bolt

Install AMCP on the PV module stand using T-bolts



Attention

Regardless of the above installation method, please ensure that the distance between the AMCP and the roof, wall or ground is not less than 15mm to ensure sufficient heat dissipation conditions for the device.

4.3. Cable installation

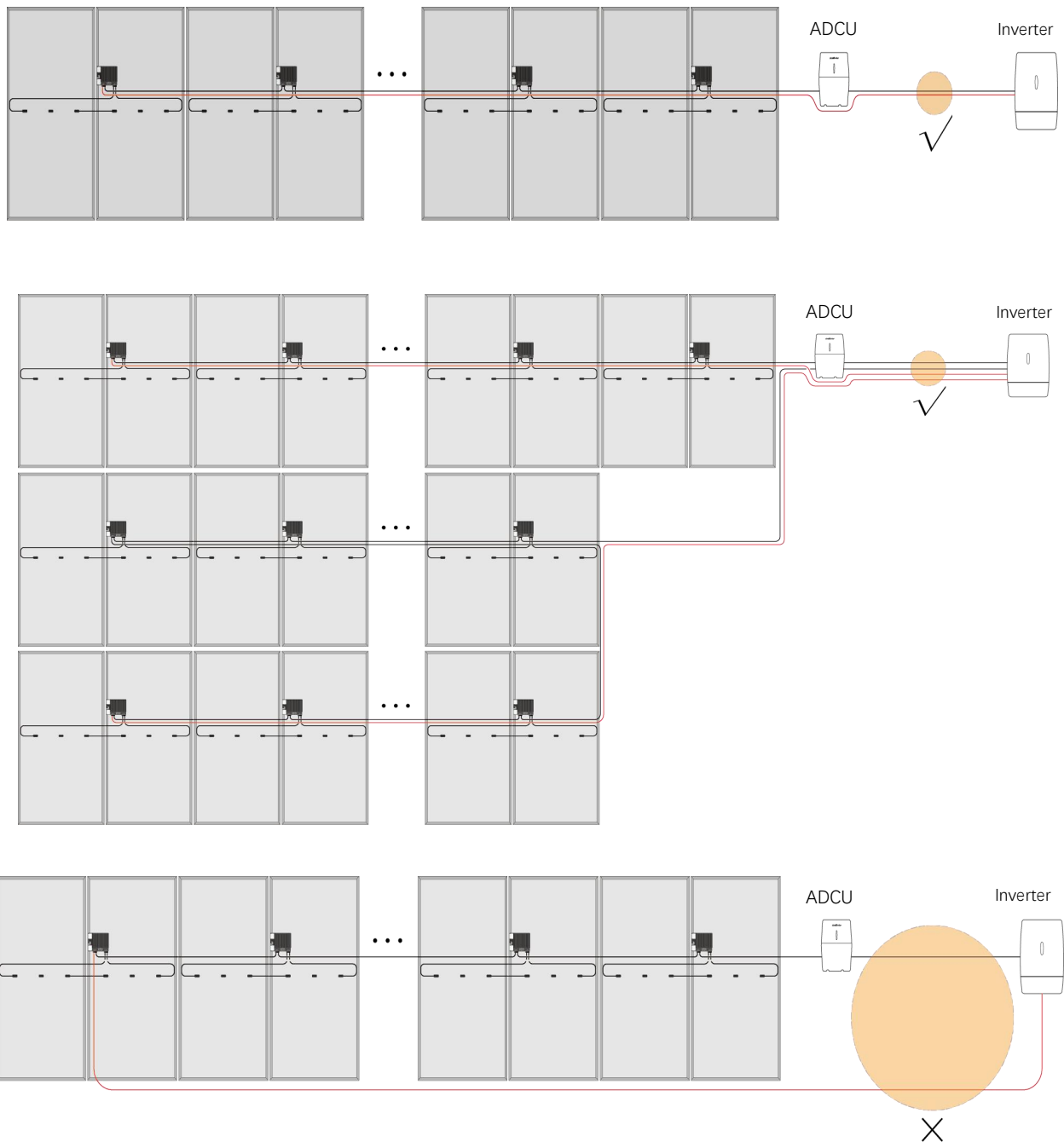
4.3.1. Cable Connection Requirements

- (1) Do not cover the AMCP housing with DC cables.
- (2) When installing AMCP cables, the bending radius of cables near the housing must be greater than 50 mm. Should the cable's bending radius requirements prove unattainable, rotate the AMCP installation plate.



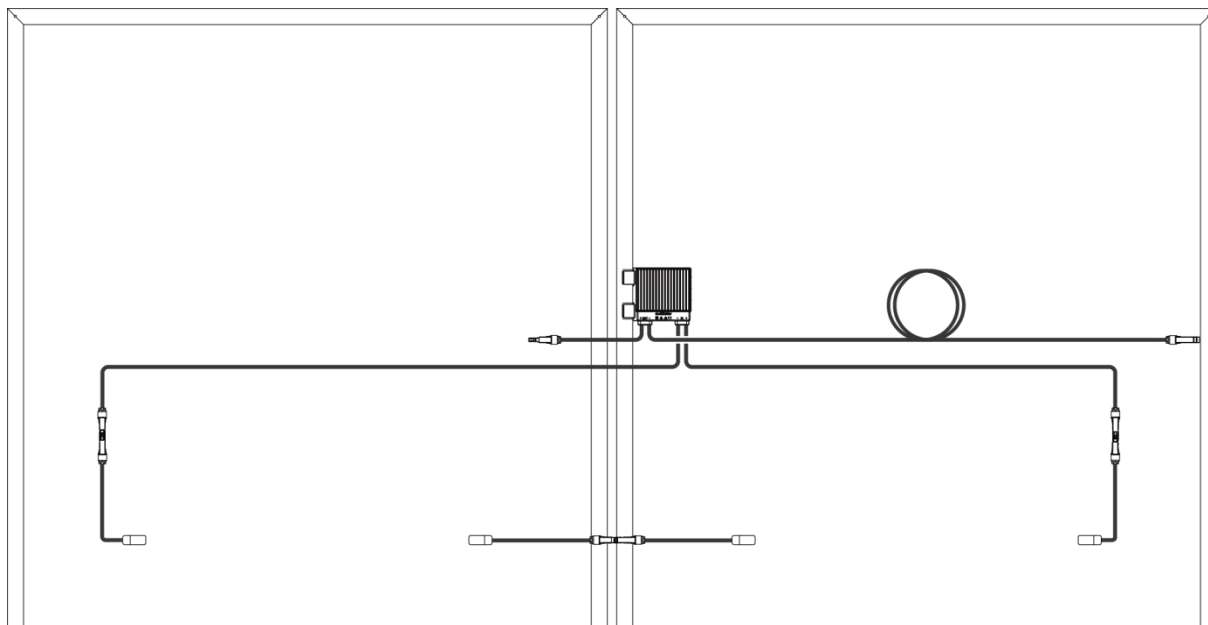
- (3) Refer to IEC 62548-1:2023, Section 7.3.3.3: To reduce EMC interference and

ensure communication quality, it is recommended that the positive and negative DC cables of the same string be routed close together (i.e., minimize the distance between the positive and negative DC home-run cables), and the positive and negative DC cables of the same string should be placed within the same cable tray or conduit, avoiding separate routing of the positive and negative home-run cables within the same string. As shown in the installation scenarios of single or multiple strings in the following figure.



- (4) DC and AC cables within the system must be routed in separate trays or conduits and kept at least 10 cm apart.

4.3.2. Connect AMCP and Photovoltaic Module Cables



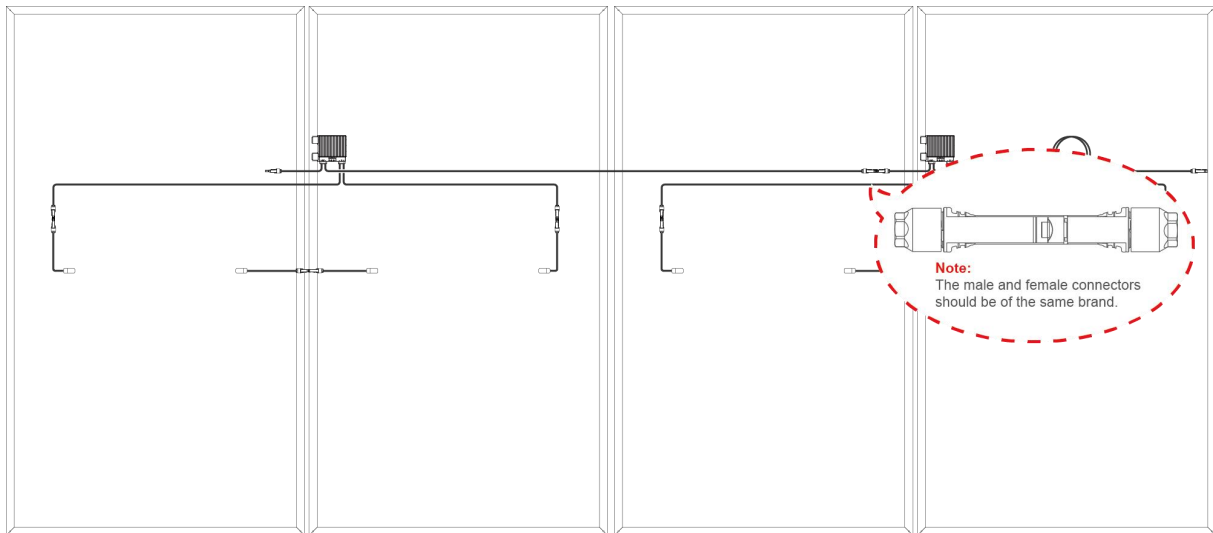
⚠ Danger

Please ensure the inverter and modules are disconnected before connecting cables, otherwise it may cause electric shock.

⚠ Notice

The positive and negative terminals of the PV module must be connected to the corresponding positive and negative terminals of the optimizer input. Incorrectly connecting the terminals may damage the product.
The PV module must not be connected to the optimizer output, as this may also damage the product.

4.3.3. Connect Two Adjacent AMCP Output Ports in Series



⚠ Warning

Please ensure to connect the input of the AMCP first, and then connect the output of the AMCP, otherwise it may cause an electric shock accident.


Note:

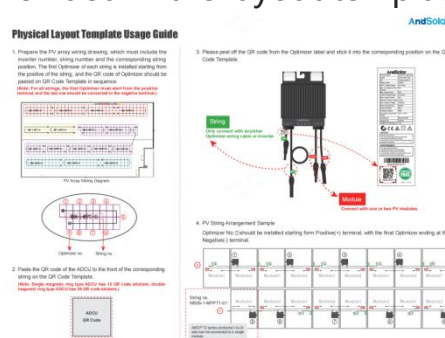
- (1) Please do not short-circuit the AMCP output port, otherwise it will damage the AMCP.
- (2) When the AMCP is not connected to other devices, avoid exposure to rain to ensure the connector remains dry.
- (3) When installing AMCP, please first connect the PV modules to the AMCP input port, and then connect the output ports of two adjacent AMCPs in series.
- (4) If you need to disconnect AMCP, please disconnect the adjacent AMCP output port first, and then disconnect the input port of AMCP and photovoltaic module.
- (5) Do not use AMCP with different types of DC connectors, otherwise it may cause damage to AMCP and this damage is not covered by the warranty.

4.4. Paste QR Code onto the Physical Layout Template



Determine the appropriate installation position for the AMCP, remove the QR code label from the product label of the AMCP, and then paste it onto the "Physical Layout Template". Please refer to the instructions in the "Physical Layout Template" and attach the QR code label to the layout template.

1. Before operation, carefully read the instructions provided in the layout template.





2. Remove the QR code label from the AMCP label, and attach it to the layout template.

Note:

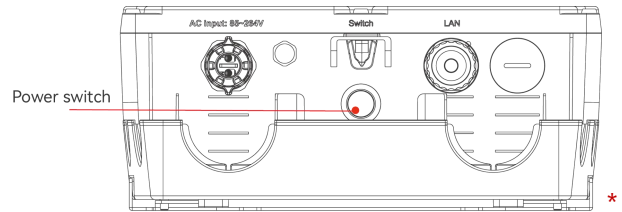
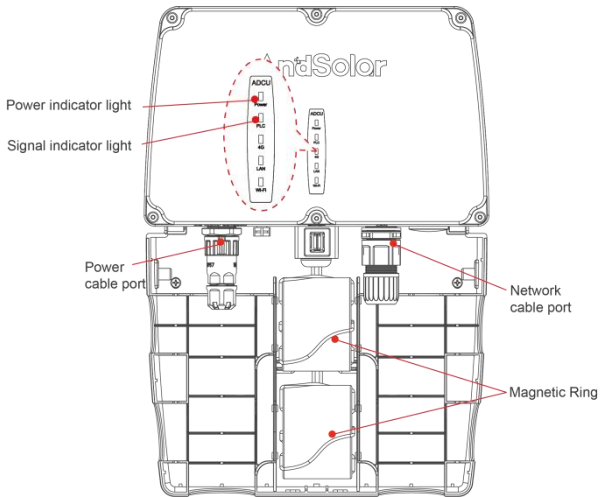
1. Attach the QR code label to the template based on the actual position of the AMCP at the site.
2. Keep the QR code label flat and even, and make sure it does not go outside the cell border.

5. ADCU Outdoor Kit Installation

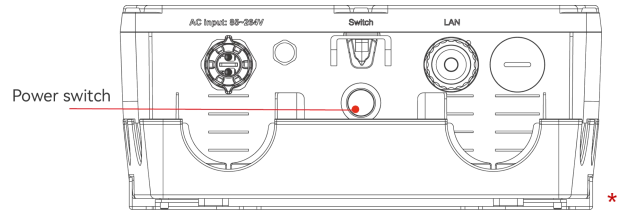
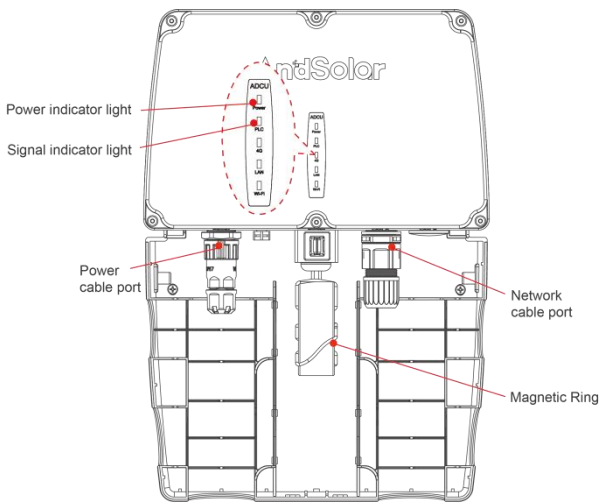
⚠ Danger

When installing the ADCU, please ensure that the AC power input is disconnected from the power grid, otherwise you may get an electric shock.

5.1. Product Introduction



Maximum input string for a single magnetic ring: 15 *



Maximum input string for a single magnetic ring: 10 *

Note :

- (1) The smart PV optimizer AMCP must be used in conjunction with ADCU.
- (2) When powered on, ADCU sends signals to the AMCP units to enable the connection of the PV modules. When switched off, ADCU will turn off, and AMCP units will automatically disconnect the connection between PV

modules and DC system. When the power is restored to ADCU, AMCP will resume the PV module operation.

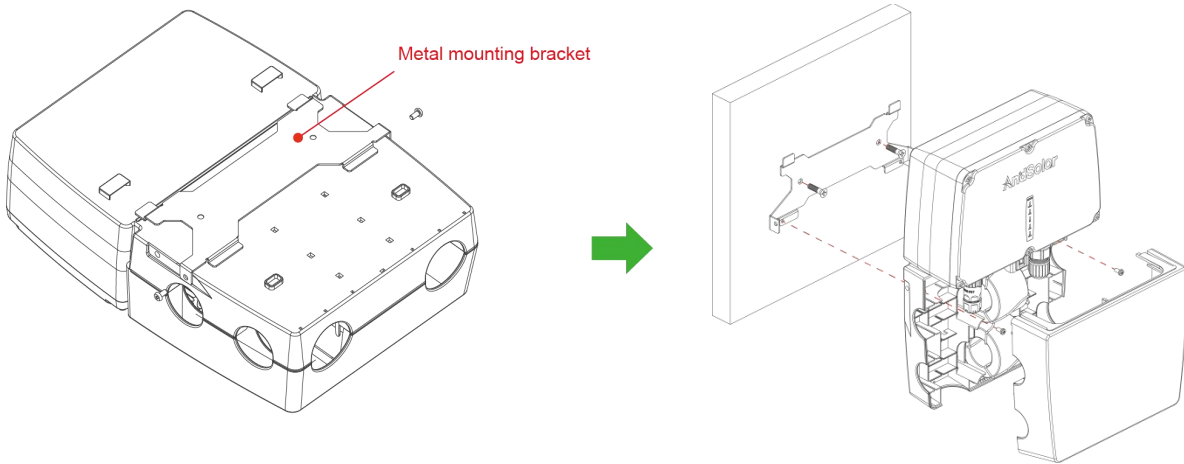
(3) This solution complies with NEC 2017/2020/2023(690.12) specifications.

Indicator light flashing rule:

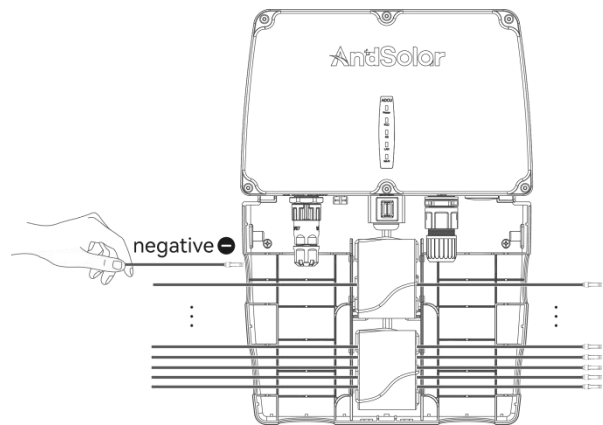
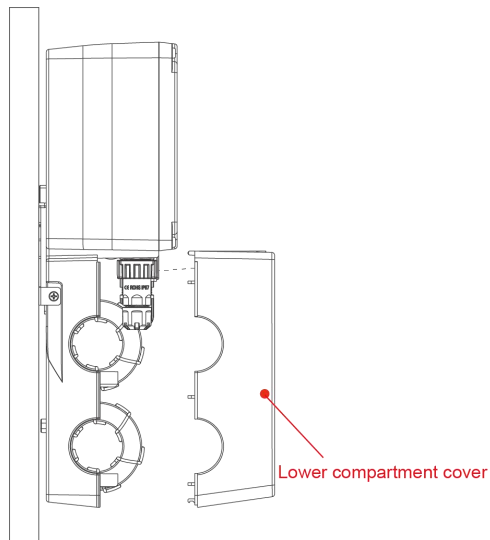
- (1) Power indicator light: When the system is running normally, the power LED remains on. If the ADCU is faulty, the LED goes off.
- (2) PLC indicator light: When communicating, the LED signal light flashes; when there is no communication, the LED signal light remains off.
- (3) 4G indicator light: The LED signal light remains off when 4G is disconnected, stays steadily lit when 4G is connected to the server, and flashes during data traffic.
- (4) LAN indicator light: The LED signal light remains off when the Ethernet cable is disconnected, stays steadily lit after being connected to the server, and flashes during data traffic.
- (5) Wi-Fi indicator light: The LED signal light remains off when Wi-Fi is disconnected, stays steadily lit when Wi-Fi is connected to the server, and flashes during data traffic.
- (6) When the PV plant is shut down remotely: the PLC, 4G, LAN, and Wi-Fi lights flash simultaneously.
- (7) The power station is shut down due to fault warning: PLC and 4G form one group, LAN and Wi-Fi form another group, and these two groups of LED lights flash alternately.

5.2. Installation Steps

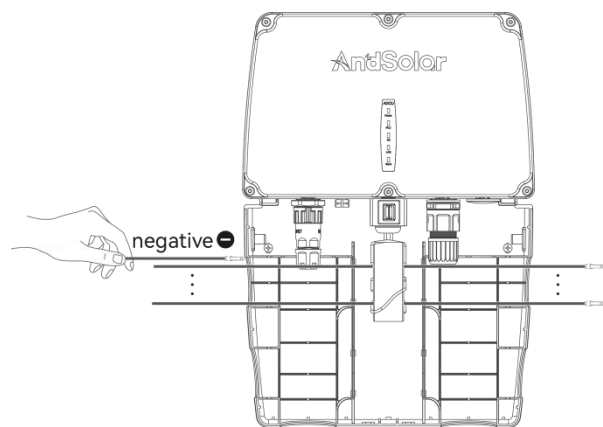
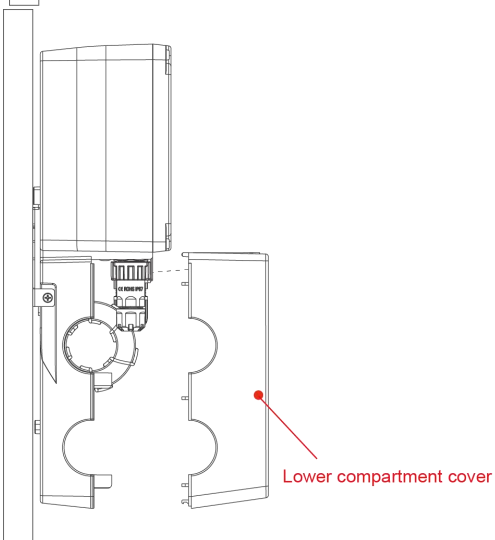
Step 1: After removing the lower compartment cover, use a screwdriver to remove the sheet metal mounting part from the back of the ADCU. Mark the installation holes at the mounting location, drill holes at the marked positions, and secure the sheet metal mounting part using expansion screws. Hang the ADCU onto the mounting part and secure it with the provided screws.



Step 2: Connect the negative DC cable to the inverter through the magnetic ring, and connect the positive DC cable directly to the inverter.



*Maximum input string for a single magnetic ring: 15



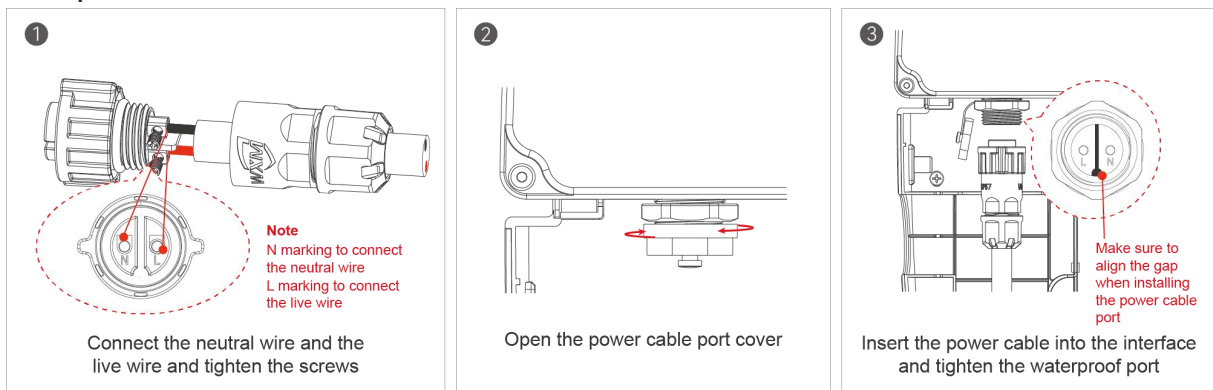
*Maximum input string for a single magnetic ring: 10

Attention

Do not pass the positive terminal of the optimizer through the magnetic ring, otherwise it will affect the communication function of the product, which may further cause the modules to fail to generate electricity.

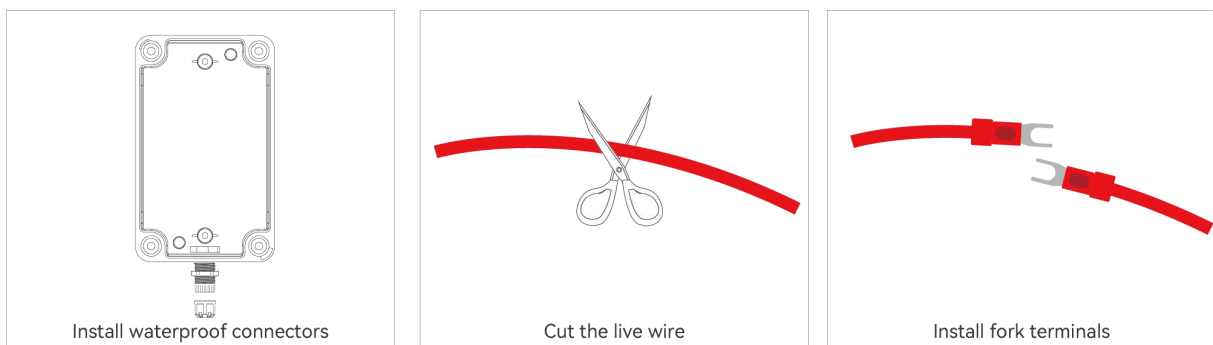
All branches under the same MPPT of the inverter should be connected to the same gateway, otherwise it may cause the product to fail to work properly or even be damaged.

Step 3: Connect the power cable to the device through the power cable waterproof connector.

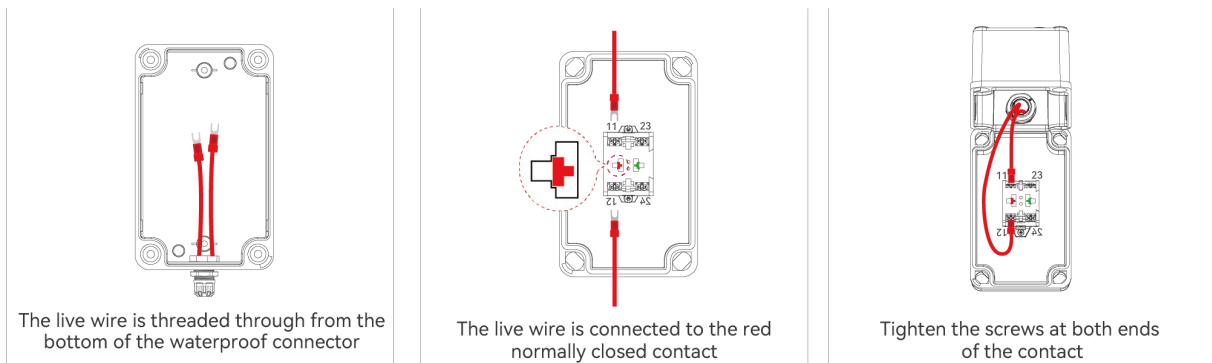


Step 4: Emergency Switch Installation

Install the waterproof connector onto the emergency stop switch; cut the live wire and install the fork terminal.



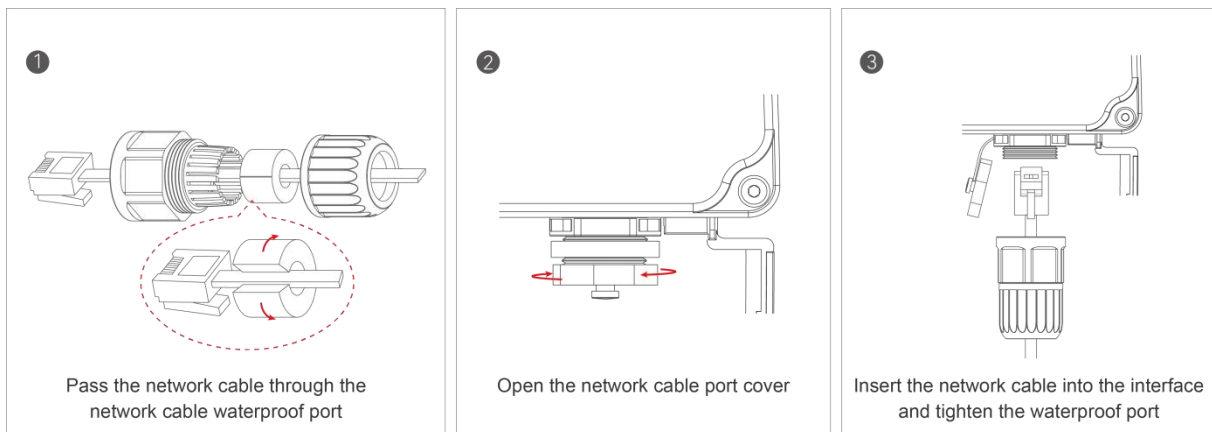
Thread the live wire through the bottom of the waterproof connector on the emergency switch; connect the fork terminals to the red normally closed contacts labeled 11 and 12 respectively; then tighten the screws at both ends of the contacts. After wiring completion, secure the waterproof connector, the fixing bolts of the shell, and install the weatherproof window cover.



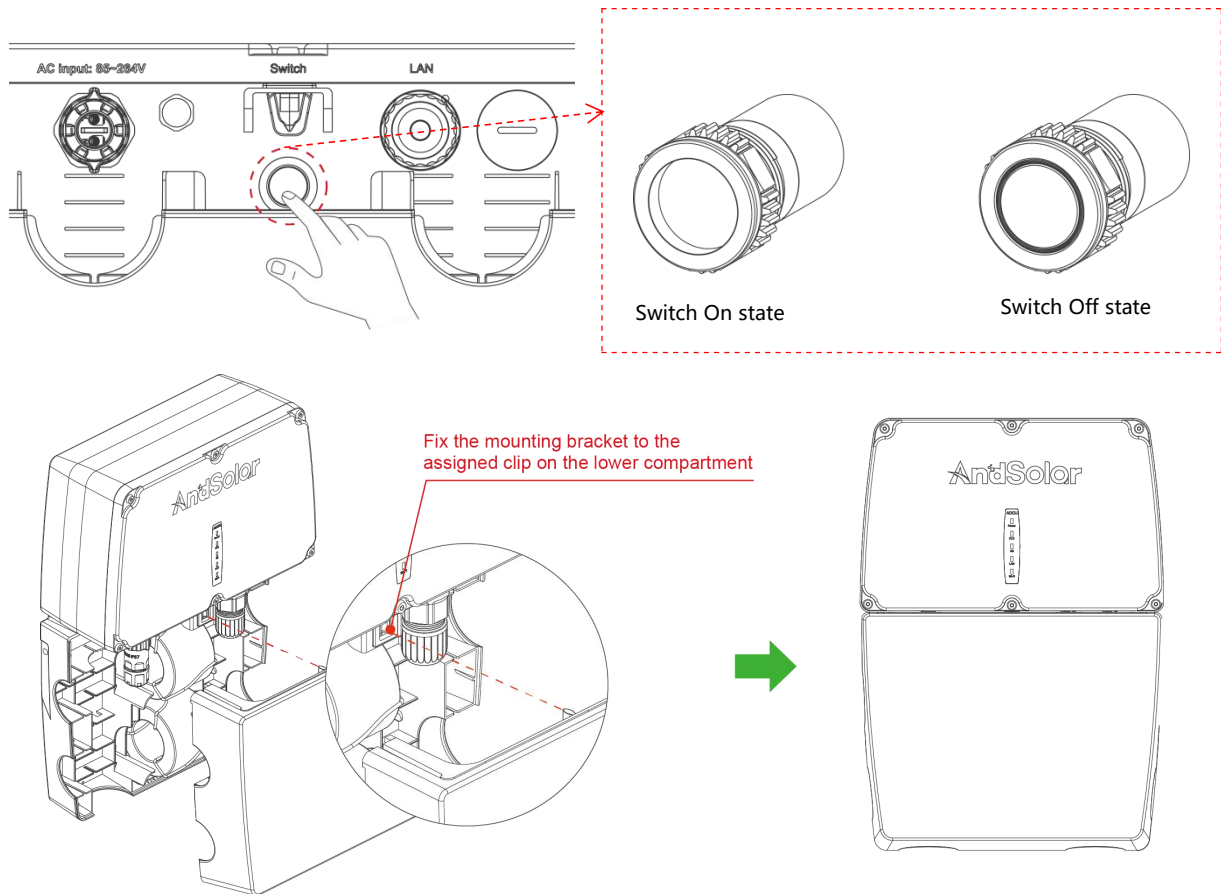
Note:

- (1) The emergency switch is optional. Users can prepare it by themselves.
- (2) The normally closed (NC) contacts are in a conductive state under normal conditions. When the emergency switch is pressed, they disconnect to achieve circuit disconnection (relay protection).
- (3) The installation methods may vary depending on the model of the emergency switch of different types.
- (4) Ensure the waterproof connector, the fixing bolts of the shell, and weatherproof window cover are fully secured to guarantee protective effect.

Step 5: The network cable is connected to the device through the network cable waterproof connector. (applicable to LAN communication version)



Step 6: After turning on the power, press the switch to start the ADCU. Install the lower compartment cover to complete the installation.



Note:

- (1) Please install the AMCP first, and then power on the ADCU.
- (2) When the system is running normally, the power LED remains on. If the ADCU is faulty, the LED goes off. If the power LED is off, check whether the power supply is faulty.
- (3) Maximum input string of a single magnetic ring: 10/15. (It is recommended that the DC cable diameter be 6.35 mm or less. Larger cable diameters may limit the number of strings due to the physical size constraints of the magnetic ring.)
- (4) Maximum current of a single magnetic ring: 500A.
- (5) Maximum communication distance between ADCU and AMCP: 800m.
- (6) The recommended power cable for ADCU is: 1.0~1.5mm² cable.
- (7) Different branches of the same MPPT of the inverter should be connected to the same ADCU.

6. Product Specifications

6.1. AMCP Parameters

Model	AMCP1000-1200	AMCP1200-1500
Input Parameters		
Rated Power	1200W	1500W
Max. Input Power	1300W	1800W
MPPT Voltage Range	24-130V	
Max. Input Current	16A	22A
Overvoltage level	II	
Output Parameters		
Voltage Range	0-130V	
Max. Output Current	16A	22A
Max. Voltage in Disconnected State	1V	
Max. System Voltage	1500V	
Efficiency		
Max. Efficiency	99.60%	
Weighted Efficiency	99.00%	
Structure Parameters		
Dimensions (W*D*H)	120*49*155mm	
Input/Output Connectors	MC4/Compatible with MC4/Customizable	
Input Cable Length	1.4m(+/-)/Customizable	
Output Cable Length	0.3m(+),2.7m(-)/Customizable	
Ingress Protection Rating	IP68	
Environment Parameters		
Temperature Range*	-40°C-+85°C	
Relative Humidity Range	0-100%	

Highest Altitude	4000m
Communication	
Communication Method	HPLC
User Interface	WEB+APP
Communication Distance	1000m
Certification Standards	
Function and Safety	IEC 62109-1, EN 62109-1, NEC 2017/2020/2023(690.12)
EMC	FCC part 15, IEC/EN 61000-6-1/-2/-3/-4

* When the operating temperature exceeds 70°C, the device may work in de-rating mode and return to normal operating mode after the operating temperature decreases;

6.2. ADCU Parameters

Model	ADCU-M0	
Input		
Input Voltage	85-264V AC	
Operating Power	2W	
Max. MPPT String Voltage	1500V	
Max. No. of Modules in Series	30	
Max. No. of MLPE Device Series Connections	30	
Max. No. of MLPE Device Parallel Connections	Unlimited	
Max. Shutdown Time	Less than 30s	
Magnetic Ring		
No. of Magnetic Rings	1	2
Max. Input Strings	10	30
Max. PV Module Input	200 (*Specific device)	600 (*Specific device)

Thickness	23mm	46mm
Inner Dimension/Outer Dimension	38mm/63mm	
Max. Current of Single Magnetic Ring	500A	
Outdoor Box Specifications		
Dimensions (W*D*H)	240*101*340mm	
Temperature	-40°C - +85°C	
Ingress Protection Rating	IP65	
Communication		
Device Communication	HPLC	
Cloud Communication	4G/LAN/Wi-Fi	
Certification		
Safety	NEC2017/2020/2023(690.12), UL1741, CSA C22.2 No.330, UL3741, IEC/EN 62109-1	
EMC	FCC Part15 , IEC/EN 61000-6-1/-2/-3/-4	

*Specific device: 1-to-2 devices can input at most 600 modules (e.g., smart rapid shutdown device series products, 1 to 2 smart PV optimizer device series products)