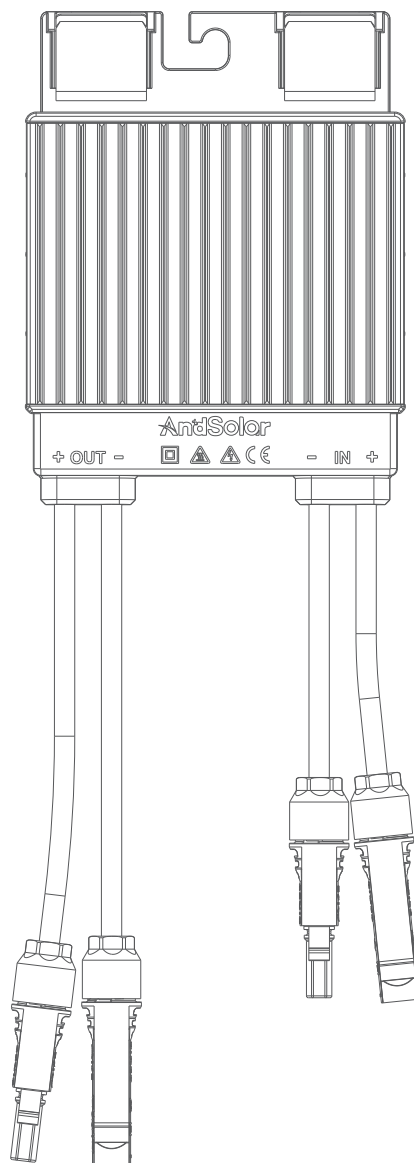


AMCP Smart Optimizer

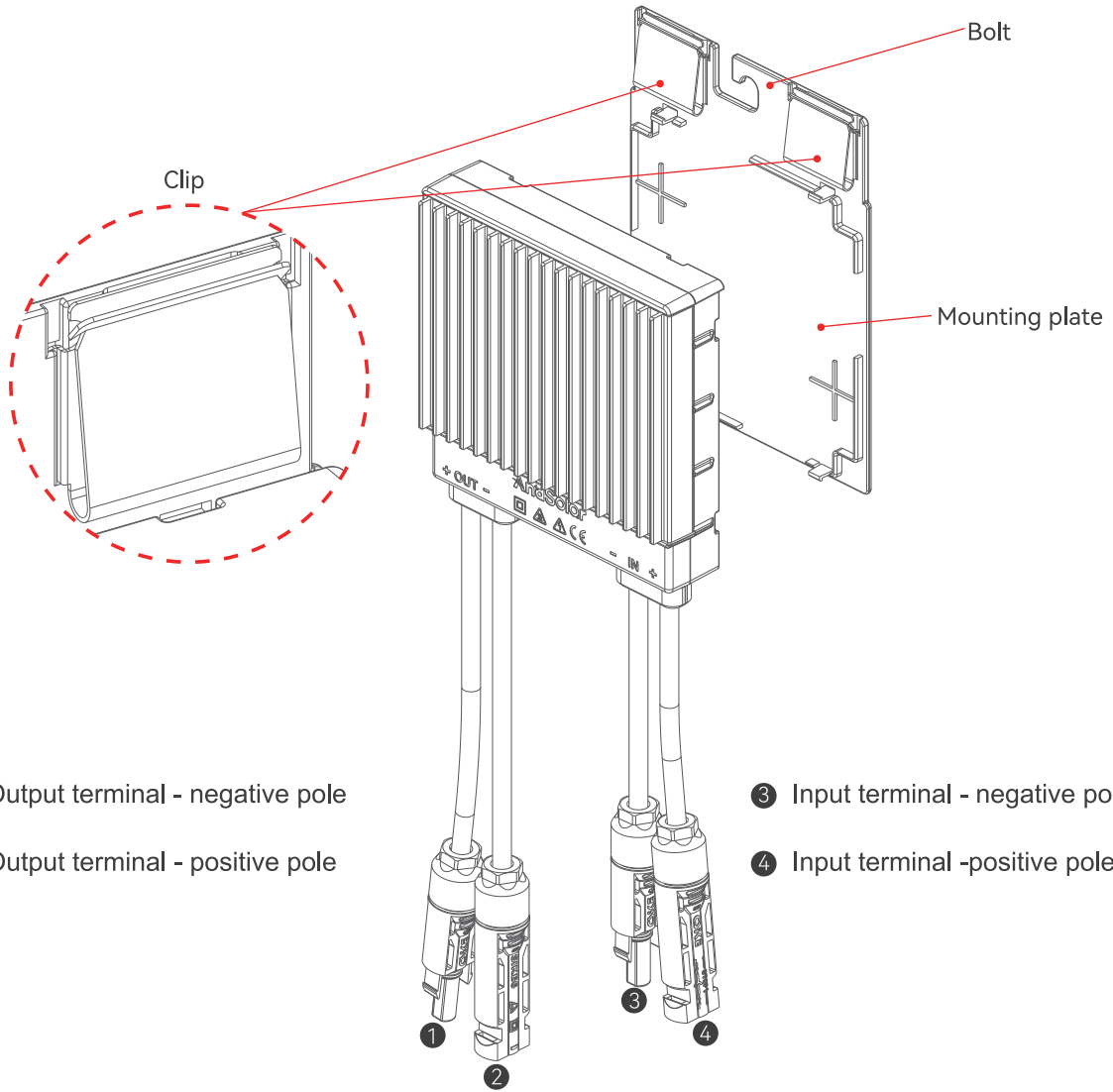
Installation Guide



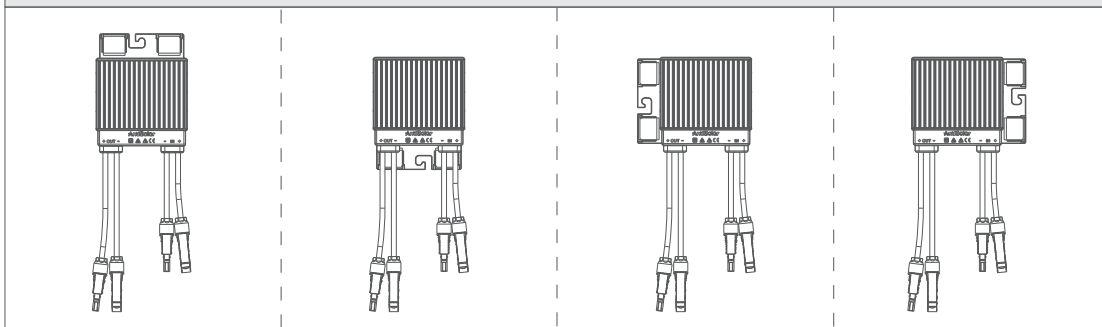
Please read this guide carefully before installation and use

Please follow the precautions in the installation guide

1 Product introduction

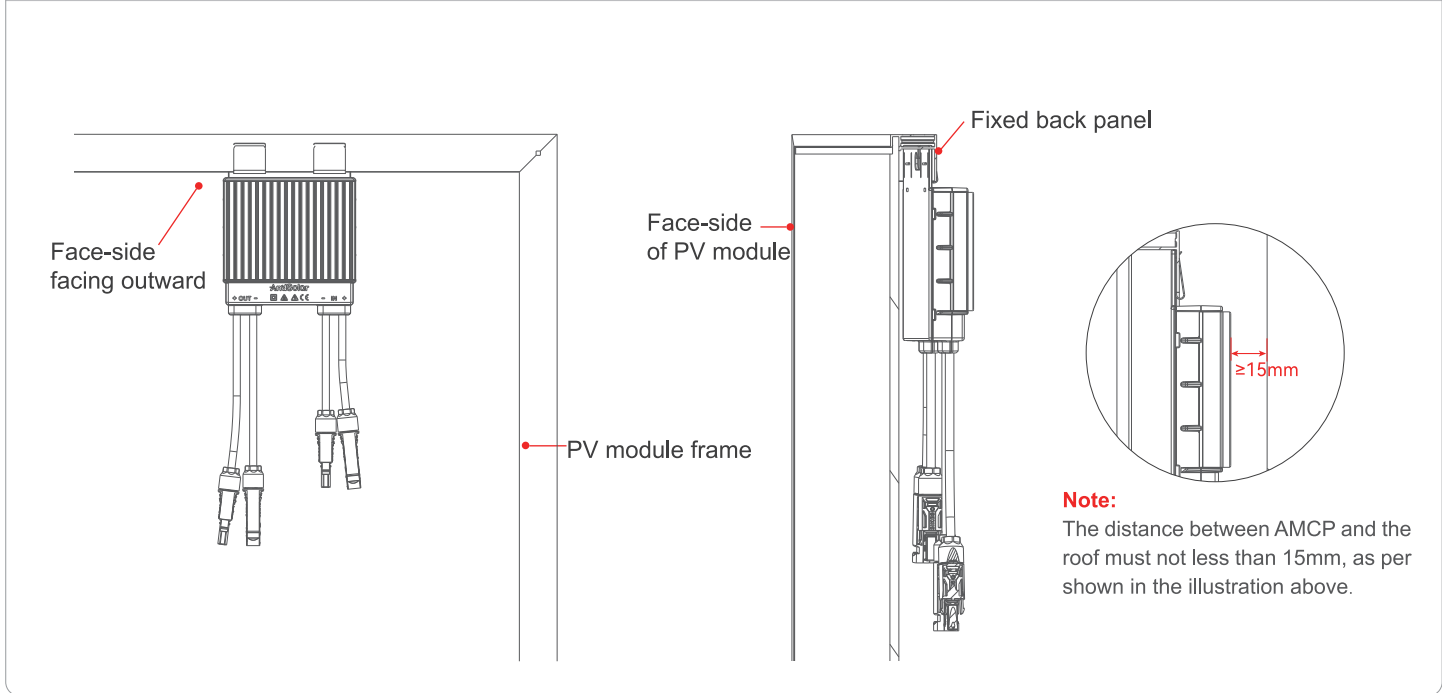


Separatable mounting plate design, allowing the cables to be directed to any direction to meet various applications

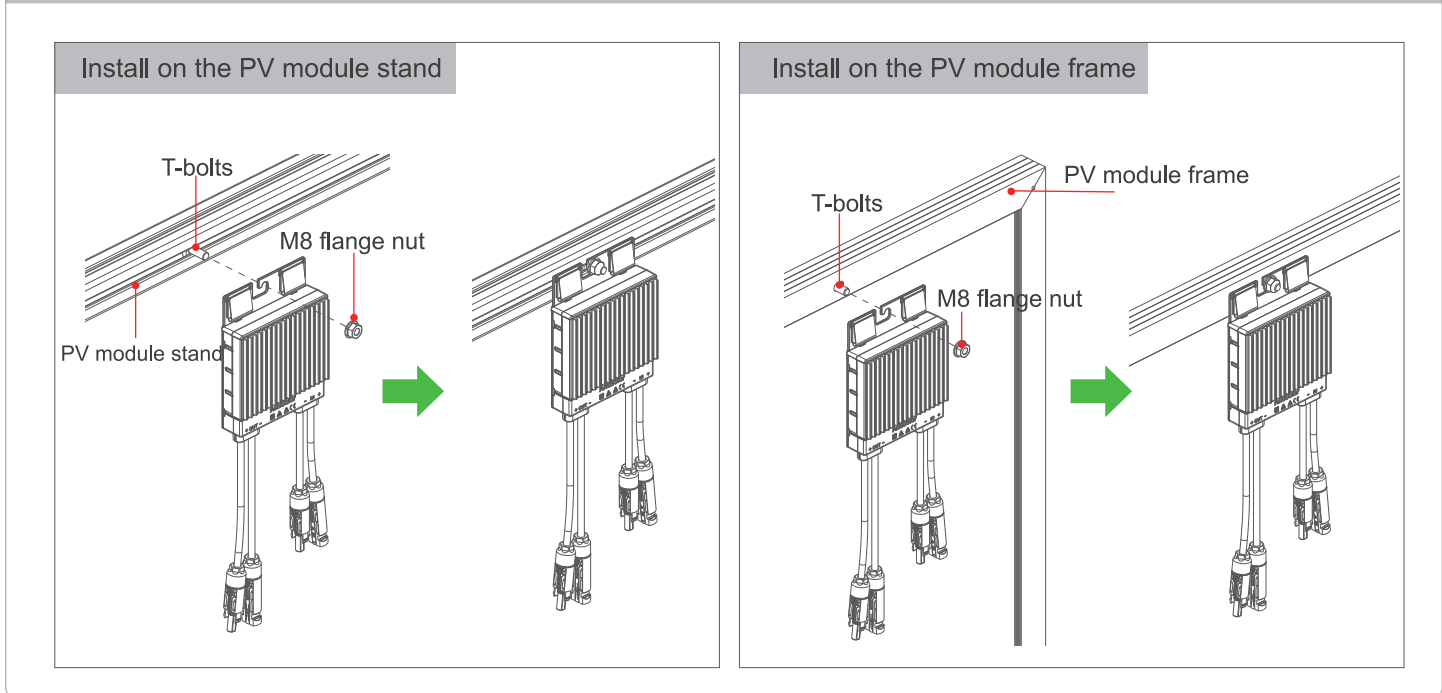


2 Installation

1.Clip installation: Install AMCP on the PV module frame with the AMCP facing outward

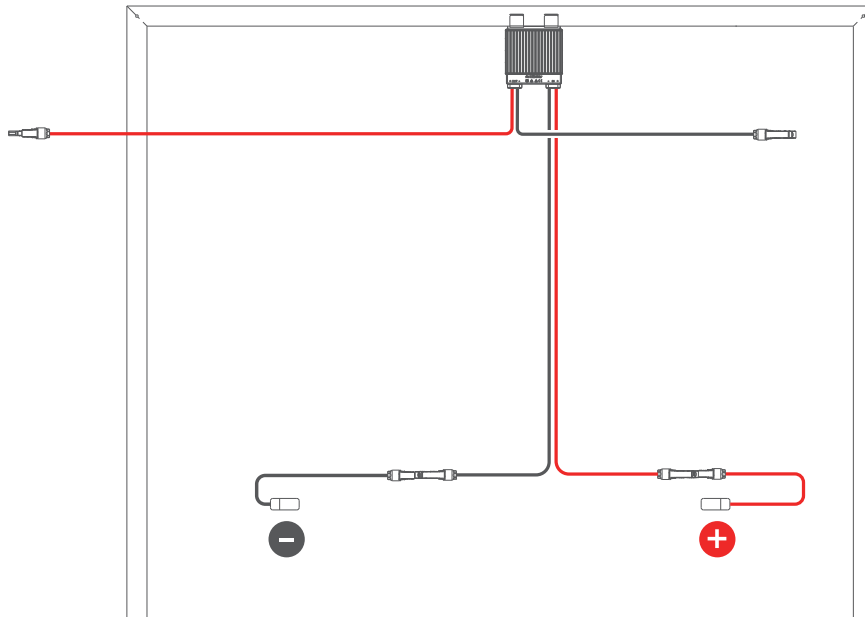


2.Bolt installation: Install AMCP on the PV module frame or stand using T-bolts

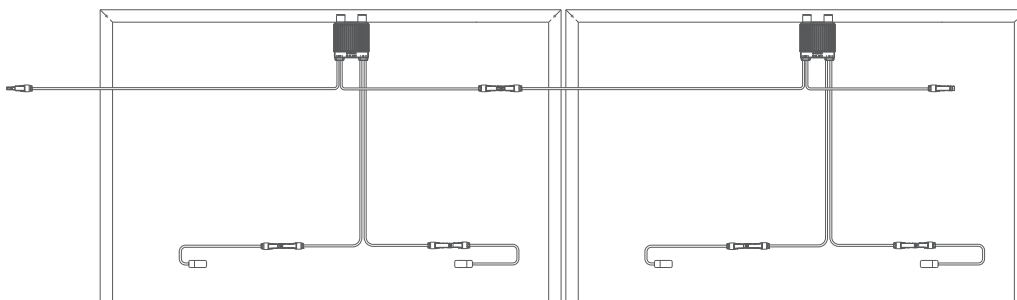


3 Cable installation

Step1: Connect AMCP and photovoltaic module cables



Step 2: Connect two adjacent AMCP output ports in series



Precautions:

- 1、 Please do not short-circuit the AMCP output port, otherwise it will damage the AMCP;
- 2、 When installing AMCP, please first connect the PV modules to the AMCP input port, and then connect the output ports of two adjacent AMCPs in series;
- 3、 If you need to disconnect AMCP, please disconnect the adjacent AMCP output port first, and then disconnect the input port of AMCP and photovoltaic module;
- 4、 Do not use AMCP with different types of DC connectors, otherwise it may cause damage to AMCP and this damage is not covered by the warranty;
- 5、 It is recommended to use male and female ports of the same brand.

AndSolar

AndSolar Technology Co., Ltd.

📍 Global Headquarters: 8F, Block B, Building 1, 286 Qinglonggang Road,
Suzhou City, Jiangsu Province, P. R. China

☎ +86-512-8718 7881

🌐 www.andsolartech.com

✉ sales@andsolartech.com