

# Gateway

## ADCU Series



Support up to 30 PV strings and up to 600 PV modules



Innovative compartment design, eliminating the needs to punch holes or cut wires, effortless installation



Excellent product design, makes 30% smaller than Gen1 and enables ingress rating of IP65



Support 4G, LAN, Wi-Fi communication methods



Equipped with a power switch for easier on-site O&M

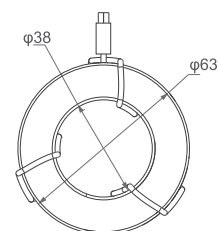
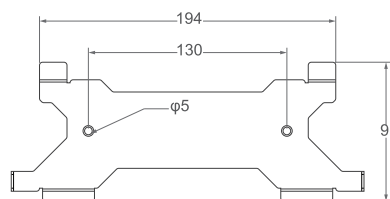
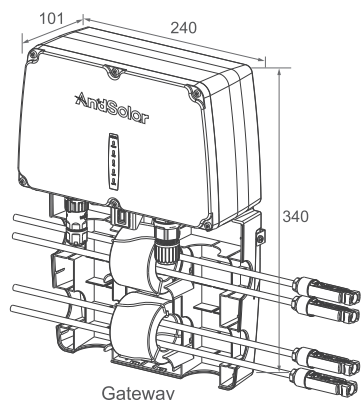


Support AMCL-Gen2 series and AMCP series in one PV system

Model	ADCU-M0	
<b>Input</b>		
Input Voltage	85~264V AC	
Operating Power	2W	
Maximum MPPT String Voltage	1500V	
Max. No. of Modules in Series	30	
<b>Magnetic Ring</b>		
Number of Magnetic Rings	1	2
Max. Input Strings	10	30
Max. PV Module Input	200(*Specific device)	600(*Specific device)
Thickness	23mm	46mm
Inner Dimension/Outer Dimension	38mm/63mm	
Maximum Current of Single Magnetic Ring	500A	
<b>Outdoor Box Specifications</b>		
Dimensions (W*D*H)	240*101*340mm	
Temperature	-40°C~+85°C	
Ingress Protection Level	IP65	
<b>Communication</b>		
Device Communication	HPLC	
Cloud Communication	4G/LAN/Wi-Fi	
<b>Certification</b>		
Safety	NEC 2017/2020/2023(690.12), UL1741, CSA C22.2 No.330, UL3741, IEC/EN 62109-1	
EMC	FCC Part15, IEC/EC 61000-6-1/-2/-3/-4	

\*Specific device: 1-to-2 devices can input at most 600 modules (e.g., smart rapid shutdown device)

Unit: mm



Mounting Bracket

Magnetic Ring

### System Topology

