

## High Reliability Vehicle-Grade Common Mode Choke VSTP Series

- Compact design suitable for high density mounting
- Comply with AEC-Q200 Grade 0
- Suitable for common mode noise suppression in automotive applications



### ■ General Description

To meet noise reduction requirements in automotive electronic power systems, CODACA has developed the vehicle-grade common mode choke VSTP series featuring high reliability.

Through manufacturing process and material innovations, the VSTP series achieves exceptional vibration resistance and high impedance characteristics, effectively suppressing common mode noise. The low-profile design enables surface mounting, saving installation space. Operating temperature range of  $-50^{\circ}\text{C}$  to  $+150^{\circ}\text{C}$ , they are widely applicable for common mode noise suppression in various automotive power transmission DC power lines, multimedia equipment, and electronic product power cables.

### ■ Features



Surface-mount electrode technology and innovative soldering processes achieve high reliability.



High impedance characteristics enable efficient noise reduction



Slim and lightweight structural design minimizes product height and volume.



Compliant with AEC-Q200 standards, operating temperature:  $-50^{\circ}\text{C}$  to  $+150^{\circ}\text{C}$

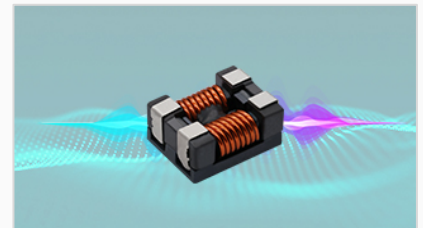
### ■ Applications



Vehicle Power Cable

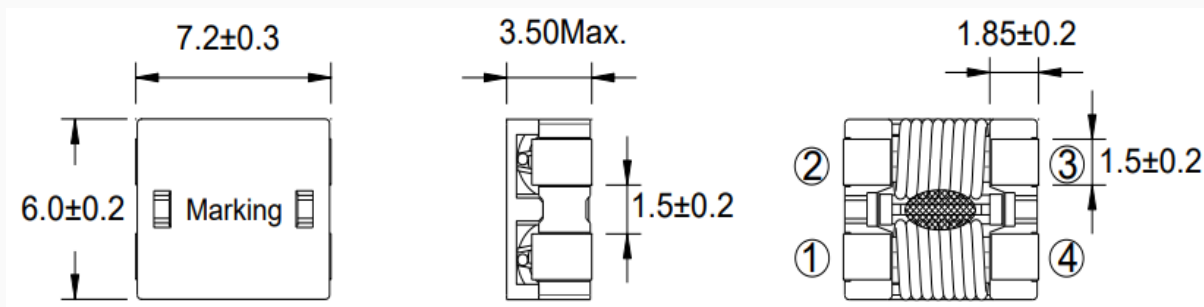


In-vehicle Entertainment System

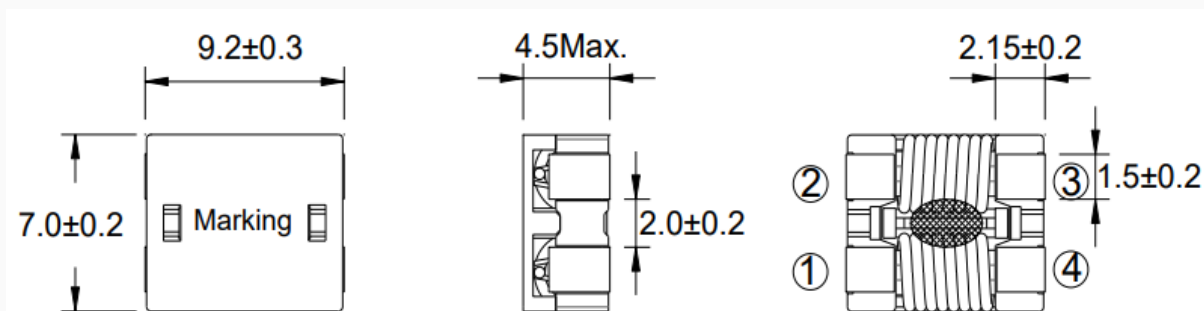


Common Mode Filter

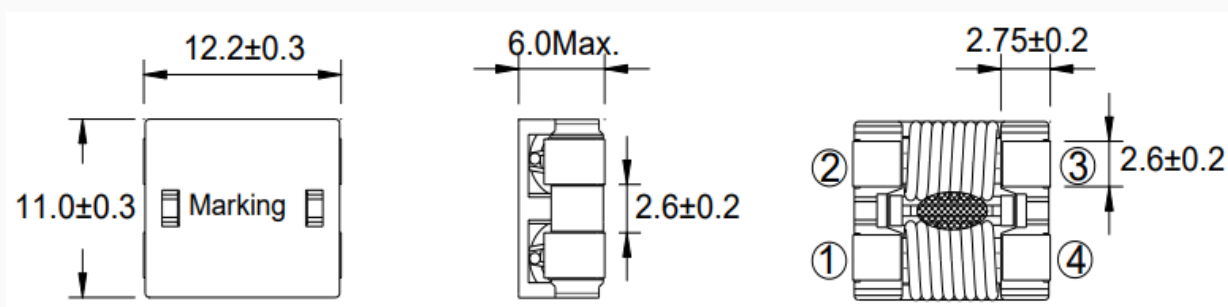
## Appearance and Dimensions (mm)



VSTP0740 Series



VSTP0950 Series



VSTP1260 Series

## Electrical Characteristics

Part No.	Inductance (μH)	D.C.R. (mΩ)	Rated Current(A)	Rated Voltage(V)	Size LxWxH(mm)
<a href="#">VSTP0740</a>	2.72~9.40	9.5~19.5	3.60~5.20	80.0	7.20 X 6.00 X 3.50
<a href="#">VSTP0950</a>	2.40~17.00	6.0~26.0	2.50~6.00	80.0	9.20 X 7.00 X 4.50
<a href="#">VSTP1260</a>	10.0~29.80	4.5~17.5	4.00~8.00	80.0	12.2 X 11.0 X 6.00



Lern more

