

GPS Tracker ST-900

User Manual



Quick Start

Thank you for purchasing our GPS tracker.
This Quick User shows how to operate the device smoothly and correctly.

WEBSITE Tracking (PC Version):

Welcome English

Server

Auto select

User

ID of your Tracker

Password

123456

Clear account

Visit Login

Platform: Pro.SinoTrack.com

User name: ID on the tracker

Password: 123456

APPLICATION Tracking (Mobile APP):

You can search **SinoTrack PRO** on APP Store (iOS) or Google Play (Android)
Or Download from the QR Code:



Server: Pro.SinoTrack
User Name: ID number on tracker
Password: 123456

If you have more **SinoTrack GPS trackers**, and want to manage them in one account, please contact us, we will create an account for you, so you can monitor **multiple devices** on the platform at the same time.

Welcome	
Server	Auto select
Account	ID of your Tracker
Password	123456
<div style="display: flex; justify-content: space-around;"> Visit Login </div>	

1. Choose GSM card, it should be Normal SIM card, without PIN code.



2. Open the top cover of tracker.

3. Proper insert GSM card, the tracker will start, connect external power supply.

4. Put device outside around 30s, LED lights will keep lighting on stands for device can work normally.

5. Dialing device number, it will hang up and reply tracking message with valid Lon and lat.

6. Please send SMS to tracker to set the APN: (the yellow place is BLANK)

SMS: **8030000|APN**

(APN is Access Point Name of your SIM Card, please check with your SIM Card provider if you don't know it)

If the APN need User name and Password, please send the command:

SMS: **8030000|APN|APNuser|APNpassword**

7. Send SMS to set trackers to our server:

SMS: **8040000|45.112.204.246|8090**

8. If you set ok of all, you can track it online.

If the device is not online, please check device setting, send: **RCONF** to device, It will reply the setting.

1. The APN is correct;
2. The IP and Port is correct;
3. The ID on platform is correct;
4. The device working model, (SMS model or GPRS model)

LED Status

1.1. Blue LED--- GPS Status

Status	Meaning
Flashing	No GPS Signal or GPS starting
ON	GPS OK

1.2. Orange LED---GSM Status

Status	Meaning
Flashing	No SIM card or GSM starting
ON	GSM OK

The default password is: 0000

The default mode is normal working (ACC Mode).

GPS Status: A is valid location; V is invalid location.

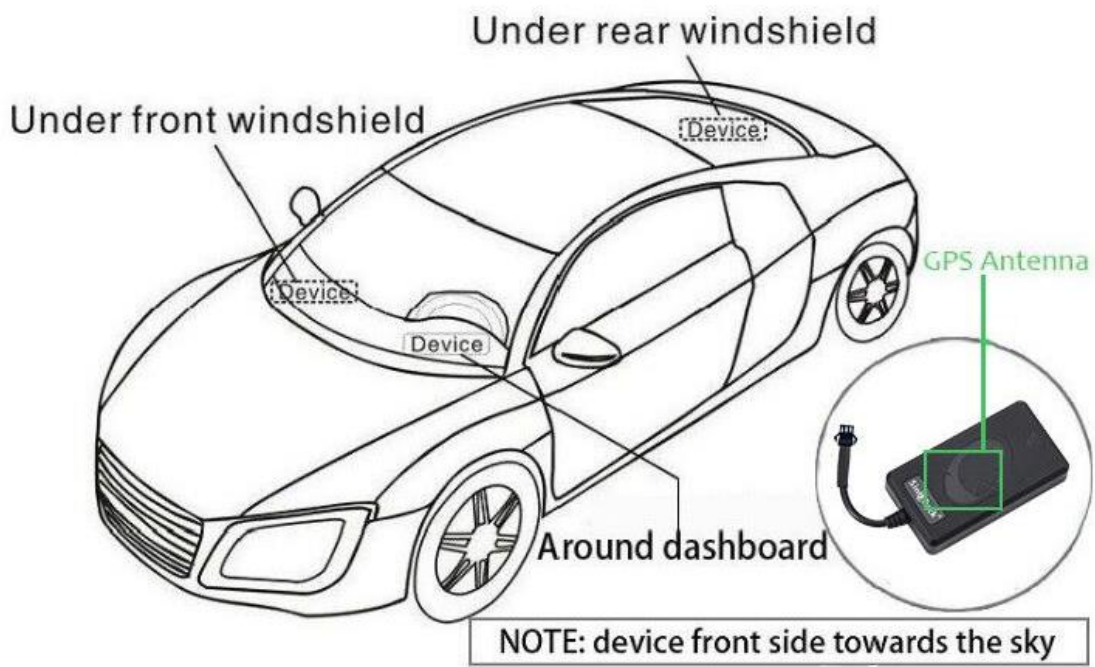
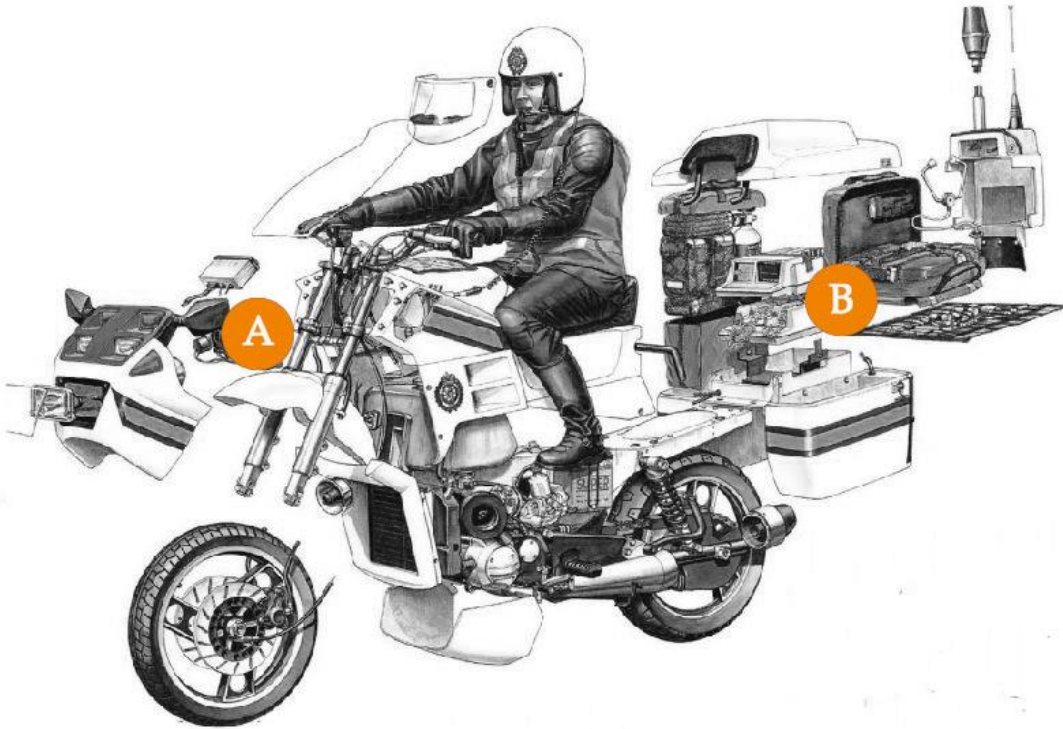
Alarm mode is on.

Alarm will send to the 3-control number.

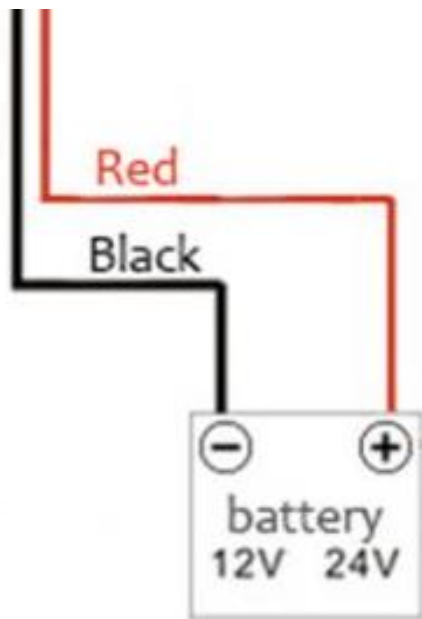
Battery from 0 to 100%

Installation:

1. The GPS antenna side should towards to clear sky.
(Can't put under Metal, but Glass and Plastic is ok)



2. Connect the wires:



Functions:

1. Set control number:

Command: **Number+pass+blank+serial**

For example: you number is +86 13950443465

Sample: **1395044346500001**

+86 is country code, 13950443465 is mobile number, 0000 is password, 1 is serial means the first number.

When the tracker replies "SET OK" means the setting is ok.

You can set the second and third control number also.

2. Working mode:

ST-900 has both SMS and GPRS working mode.

1. If you want to control it by mobile and use SMS only, you can get Google location from you mobile, then you can choose SMS mode.

2. If you want to monitor the tracker online real time, and you want to install the tracker data for years, you should choose the GPRS mode.

You can send SMS to choose the mode.

SMS Mode:

Command: **700+Password**

Sample: **7000000**

Reply: SET OK

When ST-900 receives the command, it will change to SMS mode.

GPRS Mode: (Default)

Command: **710+Password**

Sample: **7100000**

Reply: SET OK

When ST-900 receives the command, it will change to GPRS mode.

3. Change Password

Command: **777+New Password+Old password**

Sample: **77712340000**

The 1234 is new password, and 0000 is old password.

When ST-900 received the command, it will reply SET OK

4. Get location with Google link

Command: **669+password**

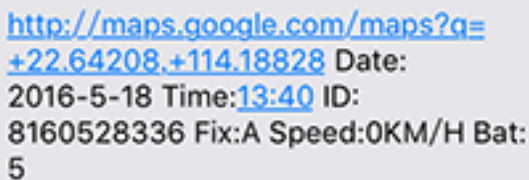
Sample: **6690000**

When ST-900 receives the command, it will read the GPS data, and send back the location with

Google link; you can open the link to check the tracker location on maps.



6690000



[http://maps.google.com/maps?q=
+22.64208,+114.18828](http://maps.google.com/maps?q=) Date:
2016-5-18 Time:13:40 ID:
8160528336 Fix:A Speed:0KM/H Bat:
5

5. Get location by phone call.

You can use any mobile to call the SIM Card in tracker, it will reply the location with Google link; you can open the link to check the tracker location on maps.



[http://maps.google.com/maps?q=
+22.64207,+114.18829](http://maps.google.com/maps?q=) Date:
2016-5-18 Time:13:36 ID:
8160528336 STATE:Phone ACC OFF
Fix:A Speed:0KM/H Bat:5

When you call the tracker when it is in invalid location, it will reply the last valid location to you, after it get new location again, it will send the seconds SMS to you with new location.

6. Change Time Zone

Command: **896+password+E/W+HH**

Sample: **8960000E00 (default)**

E means East, W means west, 00 mean time zone.

Reply: SET OK

+2 time zone is 8960000E02

7. Geo Fence (send alarm to the first number only)

Open Geo Fence: **211+password**

Sample: **2110000**

Reply: SET OK

Close Geo Fence: **210+password**

Sample: **2100000**

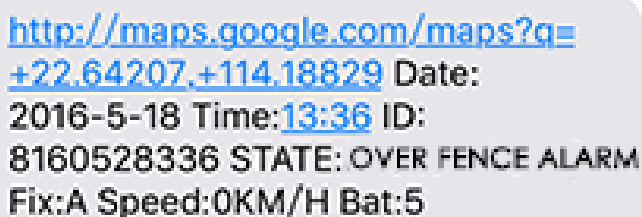
Reply: SET OK

Set the Geo Fence

Sample: **0050000 1000 (the Geo Fence is 1000 meters)**

Reply SET OK

We suggest the Geo Fence more than 1000 meters.



<http://maps.google.com/maps?q=>
[+22.64207,+114.18829](http://maps.google.com/maps?q=) Date:
2016-5-18 Time:13:36 ID:
8160528336 STATE: OVER FENCE ALARM
Fix:A Speed:0KM/H Bat:5

8. Over speed Alarm (send Alarm to control numbers)

Command: **122+password+Blank+XXX**

Sample: **1220000 120**

Reply: SET OK

The XXX is the speed, from 0 to 999, the unit is KM/H.

If the XXX is 0, it means close the over speed alarm.



<http://maps.google.com/maps?q=>
[+22.64207,+114.18829](http://maps.google.com/maps?q=) Date:
2016-5-18 Time:13:36 ID:
8160528336 STATE: OVER SPEED ALARM
Fix:A Speed:0KM/H Bat:5

9. Shock Alarm (send SMS alarm to the first number)

Open Shock Alarm: **181+password+T**

Sample: **1810000T10**

Reply: SET OK

The T meaning shocking time, the unit is second,
It from 0 to 120 seconds.

Close Shock Alarm: **180+password**

Sample: **1800000**

Reply: SET OK



<http://maps.google.com/maps?q=>
[+22.64207,+114.18829](http://maps.google.com/maps?q=) Date:
2016-5-18 Time:13:36 ID:
8160528336 STATE: SHOCK ALARM
Fix:A Speed:0KM/H Bat:5

10. Call mode

Call mode on:

Command: **150+password**

Sample: **1500000**

Reply: SET OK

Call mode off

Command: **151+password**

Sample: **1510000**

Reply: SET OK

When the call mode on, the alarms will call and send SMS to control number,
When the call mode off, only send SMS.

11. Set APN

Command 1: **803+password+Blank+APN**

Sample: **8030000INTERNET**

Reply: SET OK

If your APN need user and pass:

Command2: **803+password+Blank+APN+Blank+APNuser+Blank+APNpass**

Sample: **8030000INTERNETINTERNETINTERNET**

Reply: SET OK

12. Set the IP and Port

Command: **804+password+Blank+IP+Blank+Port**

Sample: **8040000|45.112.204.246|8090**

Reply: SET OK

13. Set the time interval

Command: **809+password+Blank+T**

Sample: **8090000|30**

Reply: SET OK

T means the time interval, the unit is second,

It from 0 to 180 seconds,

When T=0 means close GPRS.

The minimum time interval is 10 seconds.

14. Sleep Mode

Command: **SLEEP+password+Blank+T**

Sample: **SLEEP0000|5**

Reply: SET OK

The tracker will sleep when the vehicle stopped for 5 minutes.

SLEEP0000|0

To close the sleep mode, the tracker will work all the time.

Online Track:

Please login from www.SinoTrack.com or <http://45.112.204.246>

The screenshot shows the SinoTrack website landing page. At the top, there are navigation links for 'Old version', 'Mobile client', 'Device port', and 'Privacy policy'. The main header features the SinoTrack logo and the text 'Multi platform operation'. Below this, several bullet points list supported features: 'Supports chrome, Firefox, edge, ie, Safari and opera', 'Support Android, IOS mobile client', 'Support WeChat applet, official account client', 'Support third party app embedding', and 'Support API interface'. To the right, there is a login form with fields for 'Server', 'User', and 'Password', along with a 'Clear user' link and 'Visit' and 'Login' buttons. In the center, there is an image of a laptop, smartphone, and tablet displaying the SinoTrack interface.

The screenshot displays the SinoTrack web application interface. The top navigation bar includes 'Position', 'Replay', 'Geofence', 'Report', 'Manage', and 'Overview'. The main content area is divided into three sections: 'User list' on the left, 'Map monitoring' in the center, and 'Real data' on the right. The 'User list' section shows a search bar and a list of users with their status (e.g., 'Not Active', 'Offline 4d', 'Online'). The 'Map monitoring' section features a Google Map with numerous colored location markers (blue, green, red, yellow) across various geographical regions. The 'Real data' section contains a vertical list of data categories such as 'Position', 'Alarm', 'Recorder', 'Take photo', 'Refrigerator', 'Tyre', 'RFID', 'Driving', 'Fault code', 'OBD', and 'Travel'.

Other Functions:

1. RESTART

The tracker will restart.

2. RCONF

Read the configure of tracker

Tracker will reply:

**ST900, ID: 8160528336, UP:0000, U1:, U2:, U3:, MODE:GPRS
DAILY:OFF, GEO FENCE: OFF, OVER SPEED:OFF
VOICE:ON, SHAKEALARM:OFF, SLEEP:OFF, APN:INTERNET,, IP:45.1
12.204.246:8090, GPRSUPLOAD TIME:20, TIME ZONE:E00**

ST900: software version

ID: 8160528336 (Tracker ID)

UP:0000 (password, default is 0000)

U1: the first control number,

U2: the second control number,

U3: the third control number.

MODE:GPRS (working mode, default is GPRS)

DAILY:OFF (Daily time to report, default off)

GEO FENCE: OFF (Geo Fence, default off)

OVER SPEED:OFF (over speed, default off)

VOICE:ON (Call mode, default on)

SHAKE ALARM:OFF (Shock Alarm, default off)

SLEEP MODE : OFF (sleep mode, default off)

APN:INTERNET,, (APN, default is INTERNET)

IP: 45.112.204.246:8090 (The IP and Port)

GPRS UPLOAD TIME:20 (time interval)

TIME ZONE:E00 (Time zone, default is +0)